



US00D852553S

(12) **United States Design Patent** (10) **Patent No.:** **US D852,553 S**  
**Avila** (45) **Date of Patent:** **\*\* Jul. 2, 2019**

(54) **TOOL RACK** 5,303,447 A \* 4/1994 McKnight ..... A47L 9/0036  
15/246.2  
(71) Applicant: **Stephen Anthony Avila**, Sanger, TX D358,506 S \* 5/1995 Lara ..... D12/406  
(US) D362,654 S \* 9/1995 Keith ..... D12/406  
D364,140 S \* 11/1995 Gustavsen ..... D12/107  
(72) Inventor: **Stephen Anthony Avila**, Sanger, TX 5,518,159 A \* 5/1996 DeGuevara ..... B60R 9/06  
(US) 224/282  
D377,310 S \* 1/1997 Crump, Jr. .... D8/373  
5,658,119 A \* 8/1997 Allsop ..... B60R 9/06  
224/536  
(\*\*) Term: **15 Years** 5,704,496 A \* 1/1998 Latta ..... B25H 3/04  
211/70.6  
(21) Appl. No.: **29/565,344** D390,056 S \* 2/1998 Pujals, Jr. .... D6/566  
(22) Filed: **May 19, 2016** (Continued)

**Related U.S. Application Data**

(63) Continuation of application No. 15/158,081, filed on May 18, 2016.  
(51) **LOC (11) Cl.** ..... **06-04**  
(52) **U.S. Cl.**  
USPC ..... **D6/672**  
(58) **Field of Classification Search**  
USPC ..... D6/672, 678.4, 681, 681.1, 681.2, 681.3, D6/684; D8/71; D12/400, 406, 412  
CPC ..... B25H 1/0021; B25H 1/0028; B62D 33/0207; B60R 11/06  
See application file for complete search history.

**References Cited**

**U.S. PATENT DOCUMENTS**

1,698,318 A \* 1/1929 Norton ..... B25H 3/04  
211/1  
1,743,570 A \* 1/1930 Russian ..... B25H 3/04  
211/70  
1,914,371 A \* 6/1933 Hutt ..... B25H 3/04  
211/70.6  
D245,247 S \* 8/1977 Russell ..... D12/412  
D322,449 S \* 12/1991 Hunt ..... D17/20  
D327,043 S \* 6/1992 Ott ..... D12/406  
D340,824 S \* 11/1993 Pujals, Jr. .... D6/566

*Primary Examiner* — John Windmuller  
*Assistant Examiner* — Steven J Czyz  
(74) *Attorney, Agent, or Firm* — Kevin Mark Klughart

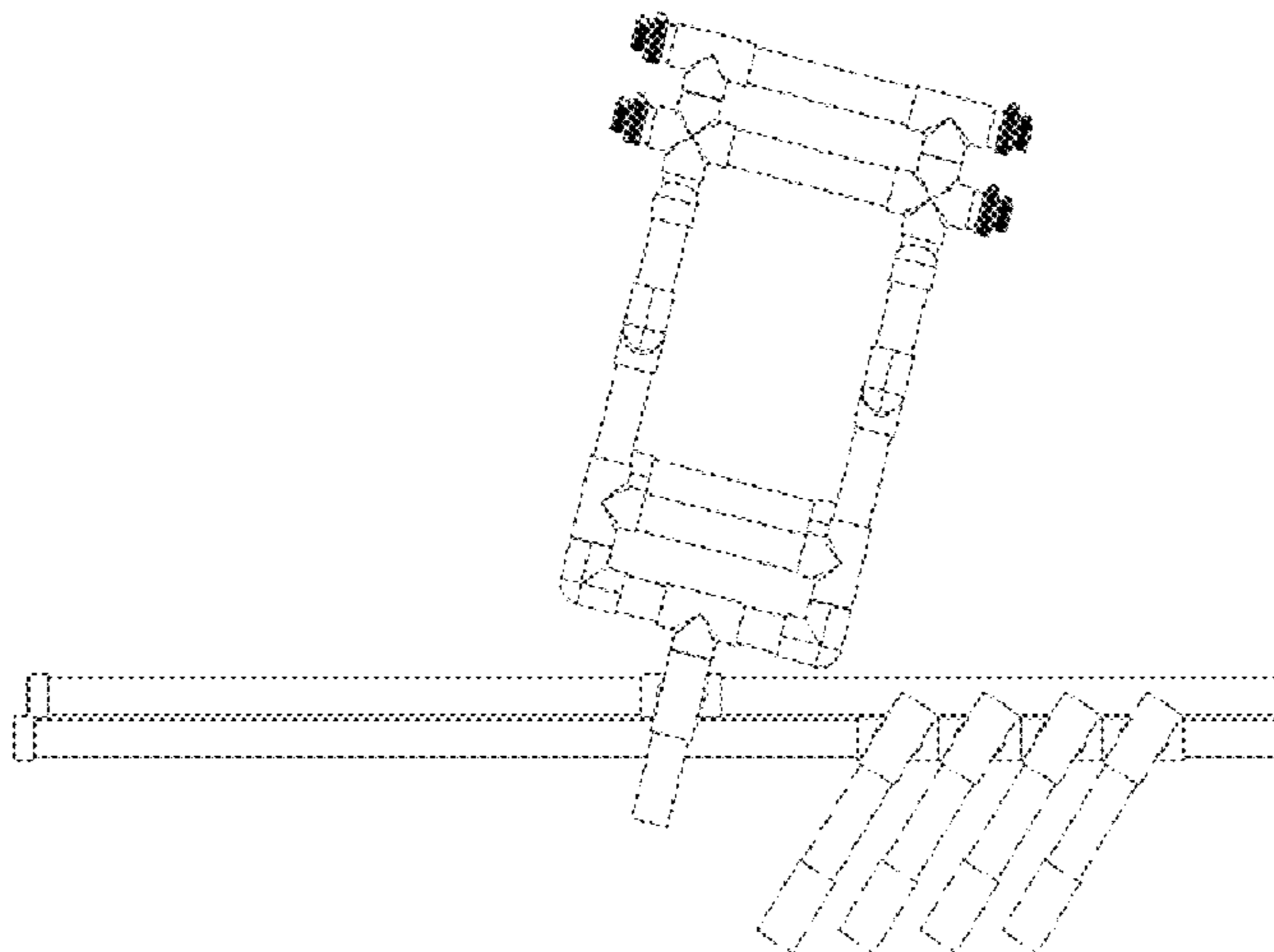
(57) **CLAIM**

The ornamental design for a tool rack, as shown and described.

**DESCRIPTION**

FIG. 1 is a front view of a tool rack showing my new design;  
FIG. 2 is a rear view thereof;  
FIG. 3 is a right view thereof;  
FIG. 4 is a left view thereof;  
FIG. 5 is a top view thereof;  
FIG. 6 is a bottom view thereof;  
FIG. 7 is a top front perspective view thereof;  
FIG. 8 is a top rear perspective view thereof;  
FIG. 9 is a top right front perspective view thereof;  
FIG. 10 is a top right rear perspective view thereof;  
FIG. 11 is a top left rear perspective view thereof;  
FIG. 12 is a top left front perspective view thereof;  
FIG. 13 is a bottom right front perspective view thereof;  
FIG. 14 is a bottom right rear perspective view thereof;  
FIG. 15 is a bottom left rear perspective view thereof; and,  
FIG. 16 is a bottom left front perspective view thereof.

**1 Claim, 16 Drawing Sheets**



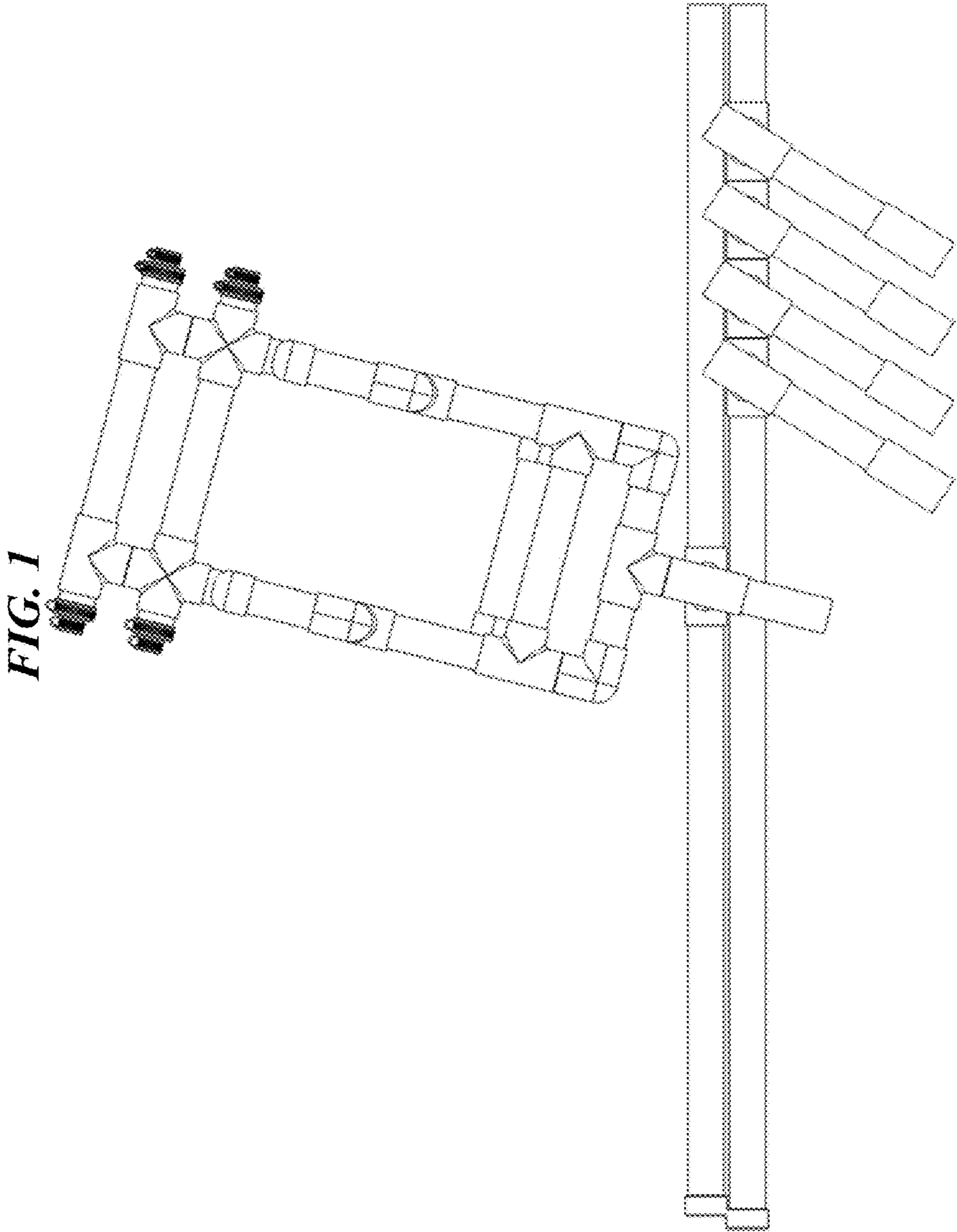
(56)

References Cited

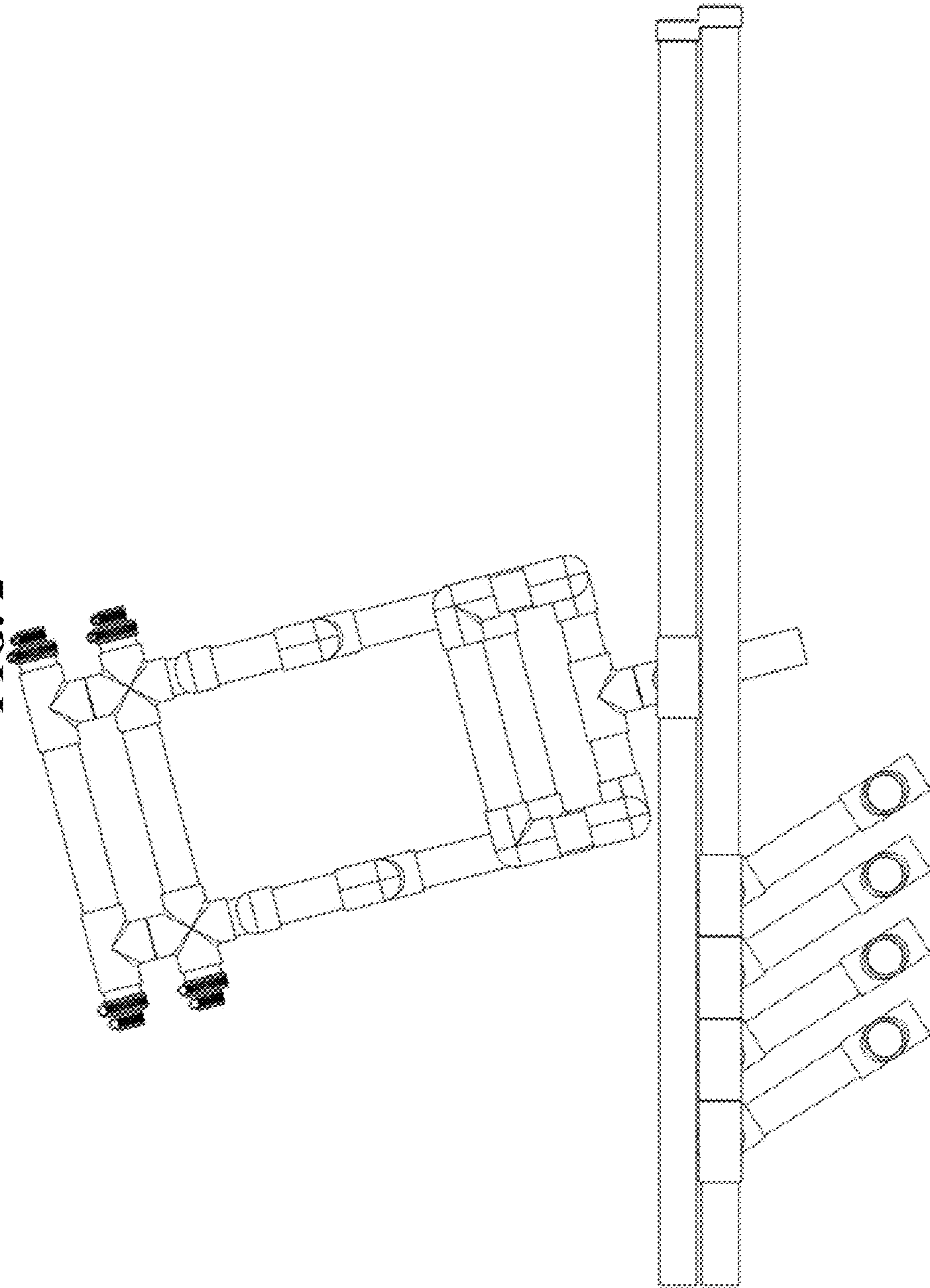
U.S. PATENT DOCUMENTS

|              |      |         |             |       |              |          |
|--------------|------|---------|-------------|-------|--------------|----------|
| 5,743,416    | A *  | 4/1998  | Yemini      | ..... | B25H 3/04    | 211/70.6 |
| 5,746,330    | A *  | 5/1998  | DiBetta     | ..... | A47F 5/0815  | 211/169  |
| 5,788,092    | A *  | 8/1998  | Teeney      | ..... | B25H 3/04    | 211/182  |
| D400,037     | S *  | 10/1998 | Bartholow   | ..... | D6/566       |          |
| 5,937,766    | A *  | 8/1999  | Denny       | ..... | B25H 5/00    | 108/143  |
| 6,186,729    | B1 * | 2/2001  | Sargent     | ..... | B60P 9/00    | 224/320  |
| 6,250,425    | B1 * | 6/2001  | Barnes      | ..... | E06C 5/02    | 182/127  |
| 6,302,034    | B1 * | 10/2001 | Swanson     | ..... | B65D 19/385  | 108/53.5 |
| D463,185     | S *  | 9/2002  | Tolliver    | ..... | D6/525       |          |
| 6,554,170    | B1 * | 4/2003  | Correll     | ..... | B60Q 1/2611  | 141/343  |
| 6,711,972    | B1 * | 3/2004  | Joyner      | ..... | B25H 1/0021  | 81/57.24 |
| D492,859     | S *  | 7/2004  | Sciandra    | ..... | D6/681       |          |
| D494,532     | S *  | 8/2004  | Reese       | ..... | D12/406      |          |
| D501,973     | S *  | 2/2005  | Bell        | ..... | D34/24       |          |
| D519,302     | S *  | 4/2006  | Sciandra    | ..... | D6/681       |          |
| D523,260     | S *  | 6/2006  | Sciandra    | ..... | D6/681       |          |
| D560,870     | S *  | 1/2008  | Shipman     | ..... | D34/17       |          |
| D637,015     | S *  | 5/2011  | Rogers      | ..... | D6/681       |          |
| D649,378     | S *  | 11/2011 | Rogers      | ..... | D6/708.16    |          |
| D809,996     | S *  | 2/2018  | Lee         | ..... | D12/406      |          |
| 2002/0060195 | A1 * | 5/2002  | Humphrey    | ..... | E01B 7/24    | 211/13.1 |
| 2003/0057243 | A1 * | 3/2003  | Himmel, Jr. | ..... | B60R 9/06    | 224/519  |
| 2005/0023015 | A1 * | 2/2005  | Argento     | ..... | B25D 17/28   | 173/36   |
| 2005/0230331 | A1 * | 10/2005 | Whitnall    | ..... | B60R 9/06    | 211/22   |
| 2006/0226097 | A1 * | 10/2006 | Smith       | ..... | B25H 3/04    | 211/70.6 |
| 2007/0057001 | A1 * | 3/2007  | Wang        | ..... | B60R 9/06    | 224/536  |
| 2007/0237572 | A1 * | 10/2007 | Thiessen    | ..... | B25H 1/0021  | 403/96   |
| 2014/0263505 | A1 * | 9/2014  | Meyers      | ..... | F04B 17/06   | 224/401  |
| 2015/0151428 | A1 * | 6/2015  | Su          | ..... | B25H 3/04    | 403/361  |
| 2015/0289652 | A1 * | 10/2015 | Strahinic   | ..... | A47B 21/0314 | 211/85.8 |
| 2016/0339967 | A1 * | 11/2016 | Avila       | ..... | B62D 33/0207 |          |
| 2017/0073023 | A1 * | 3/2017  | Feight      | ..... | B62D 33/0207 |          |
| 2017/0197265 | A1 * | 7/2017  | Hamm        | ..... | B23G 1/24    |          |

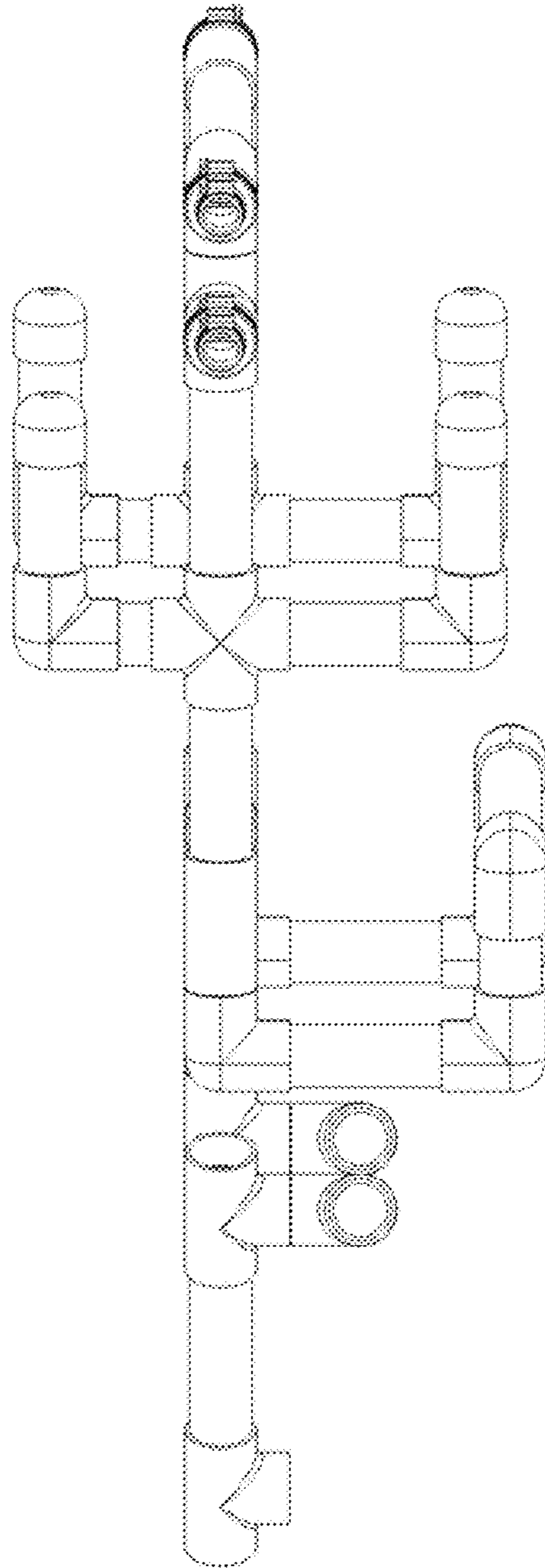
\* cited by examiner



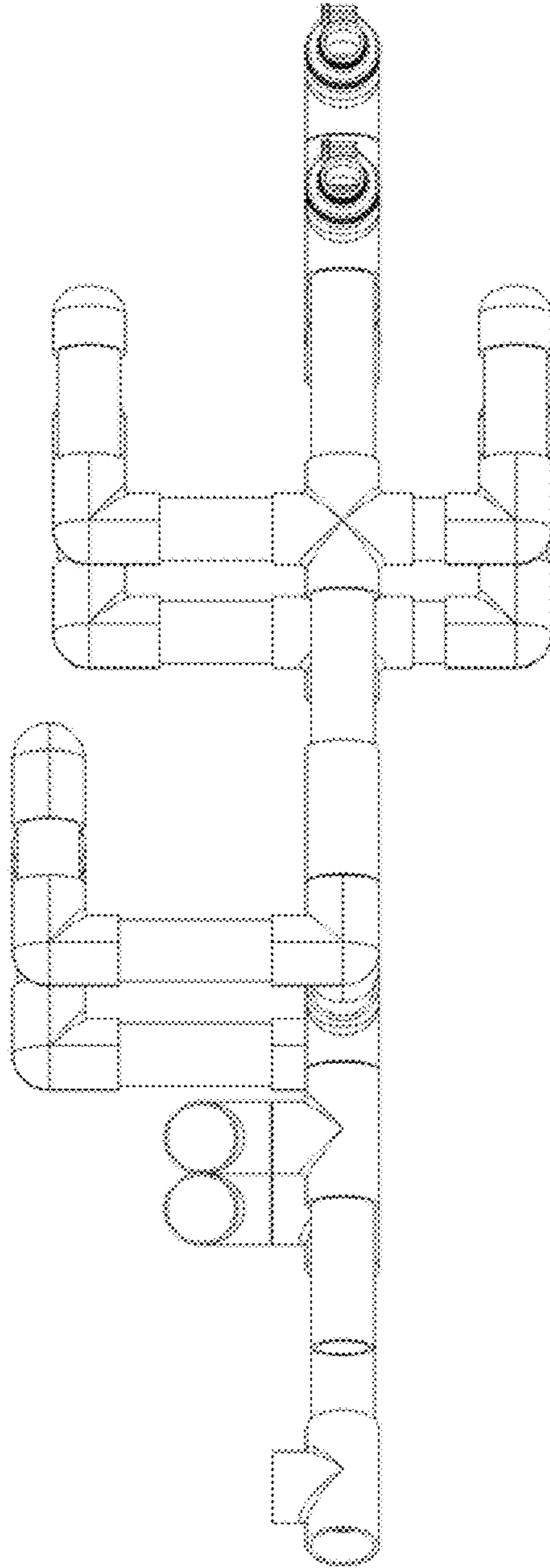
**FIG. 2**



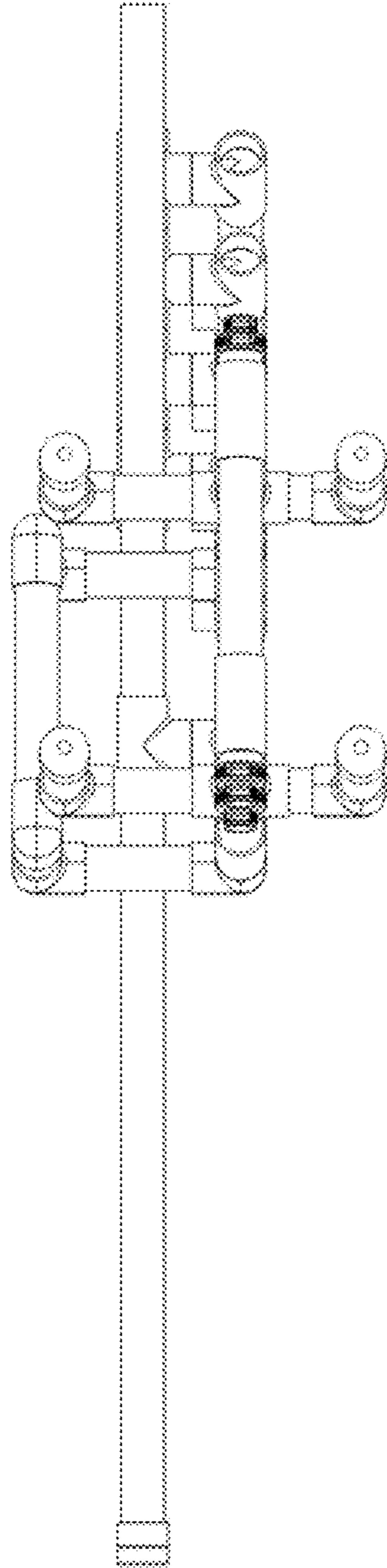
**FIG. 3**



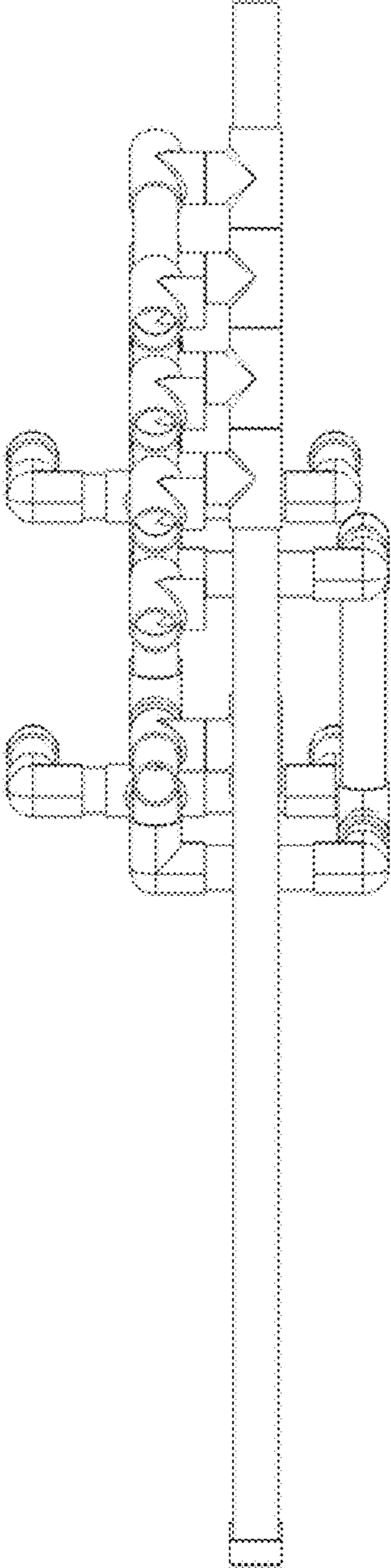
**FIG. 4**



**FIG. 5**

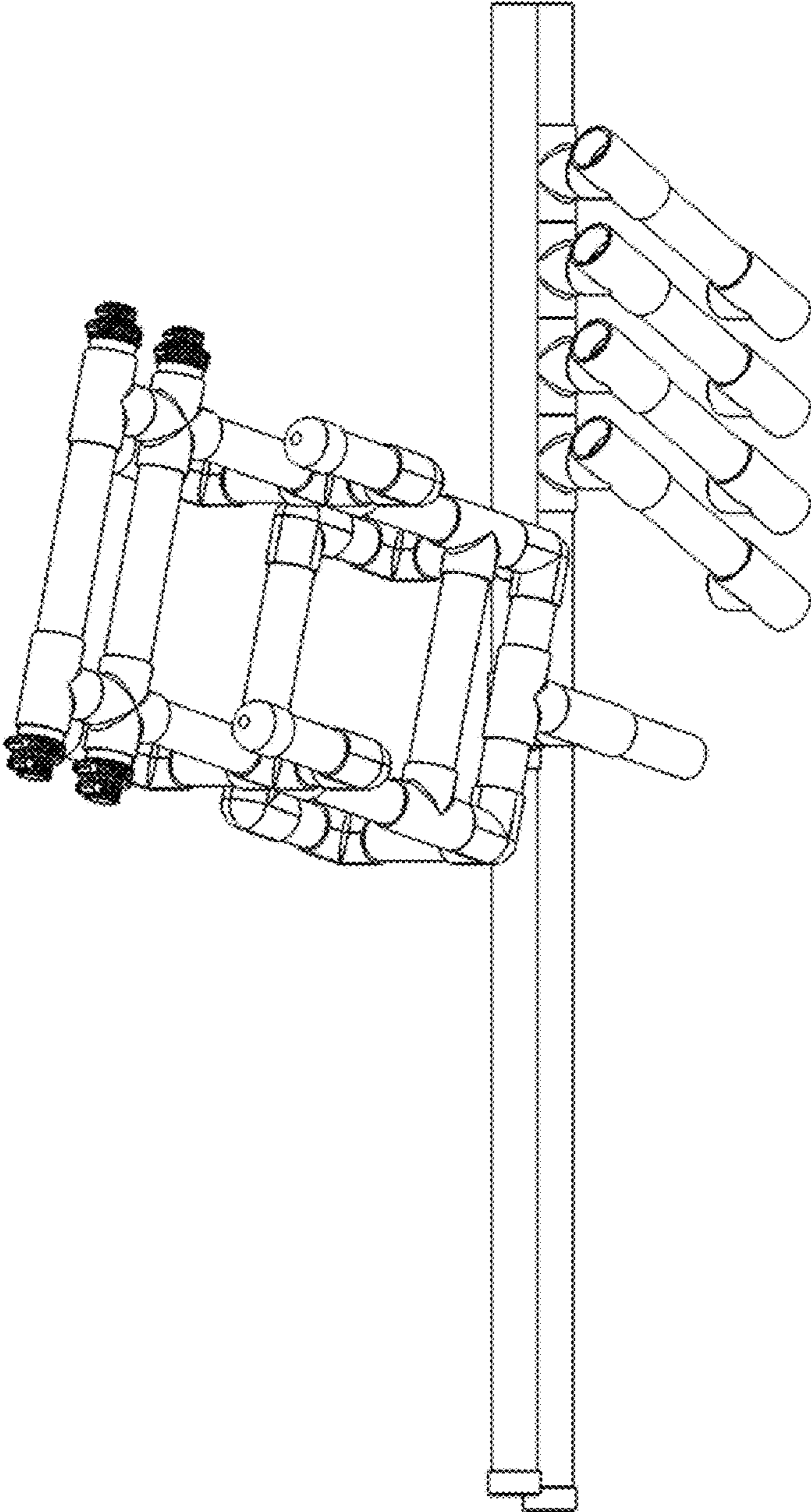


**FIG. 6**

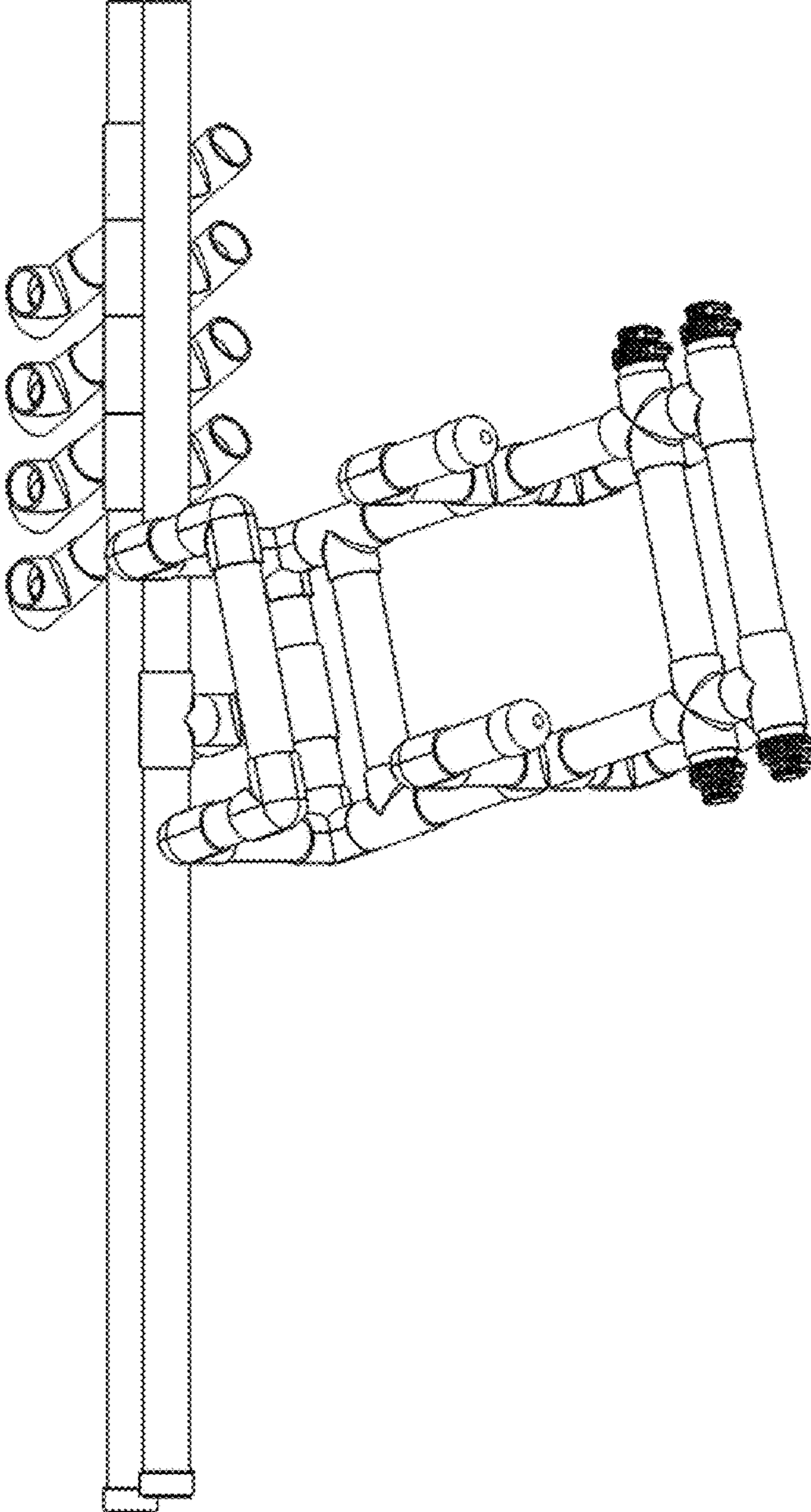


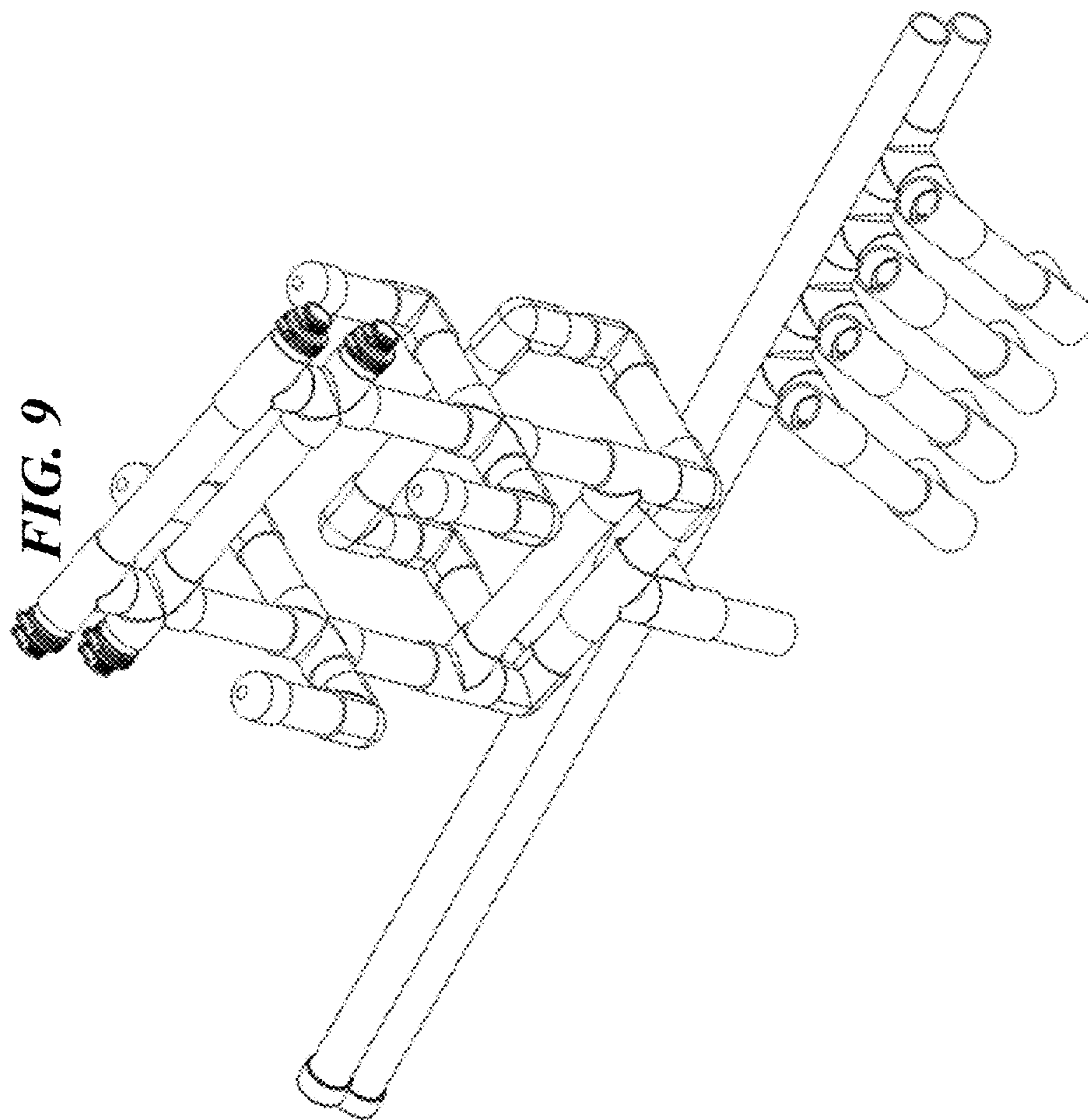


**FIG. 7**

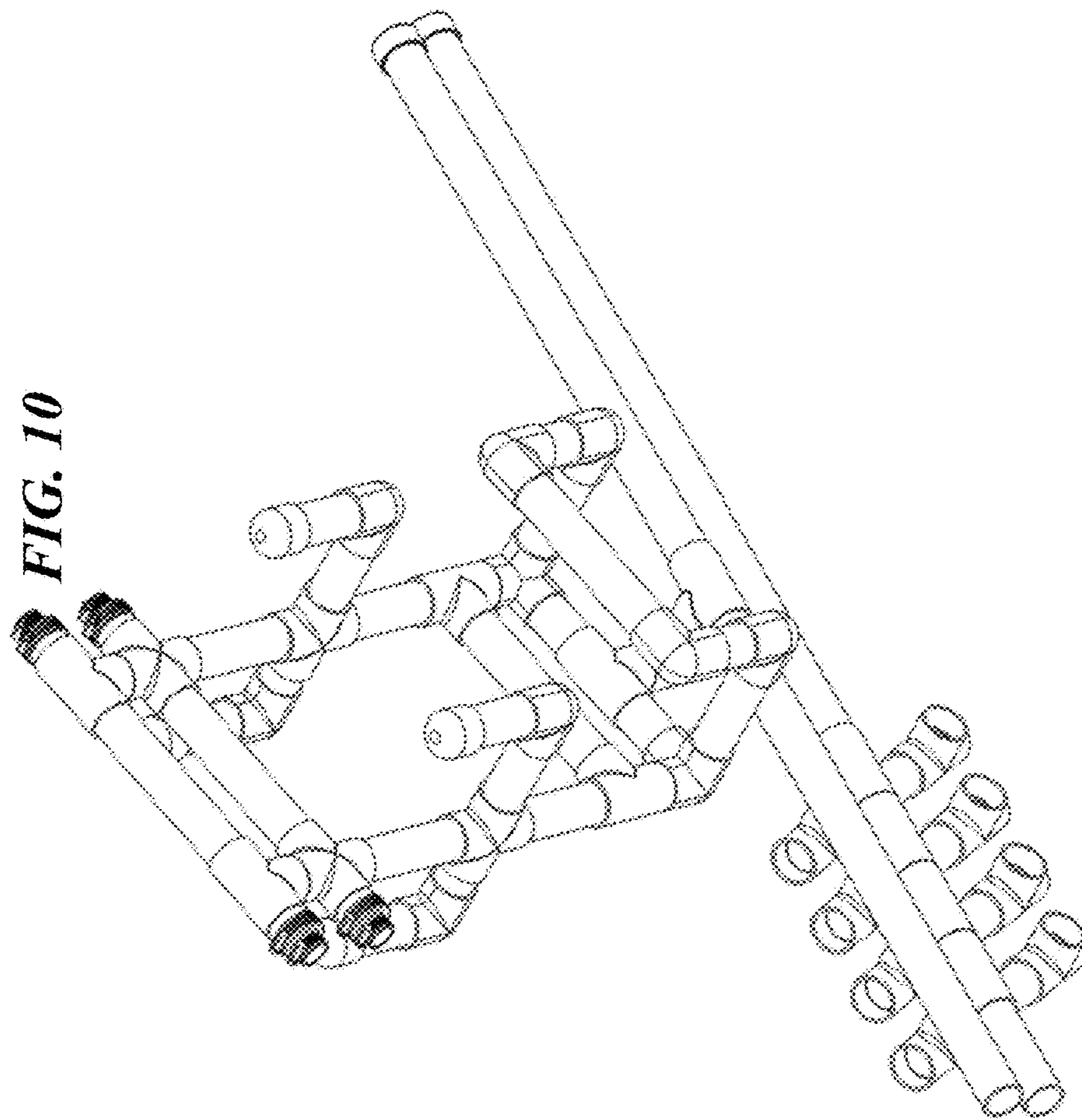


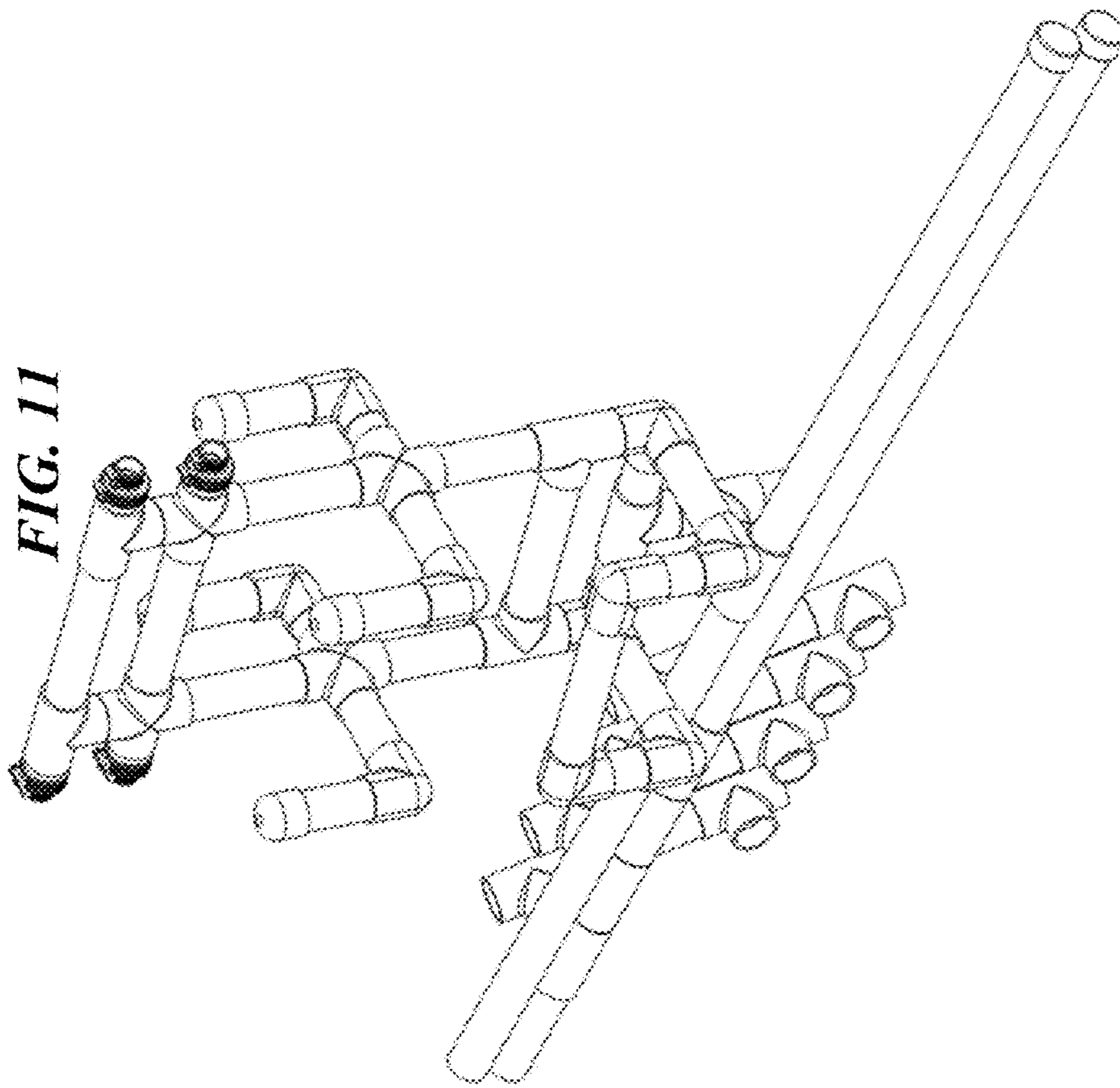
*FIG. 8*

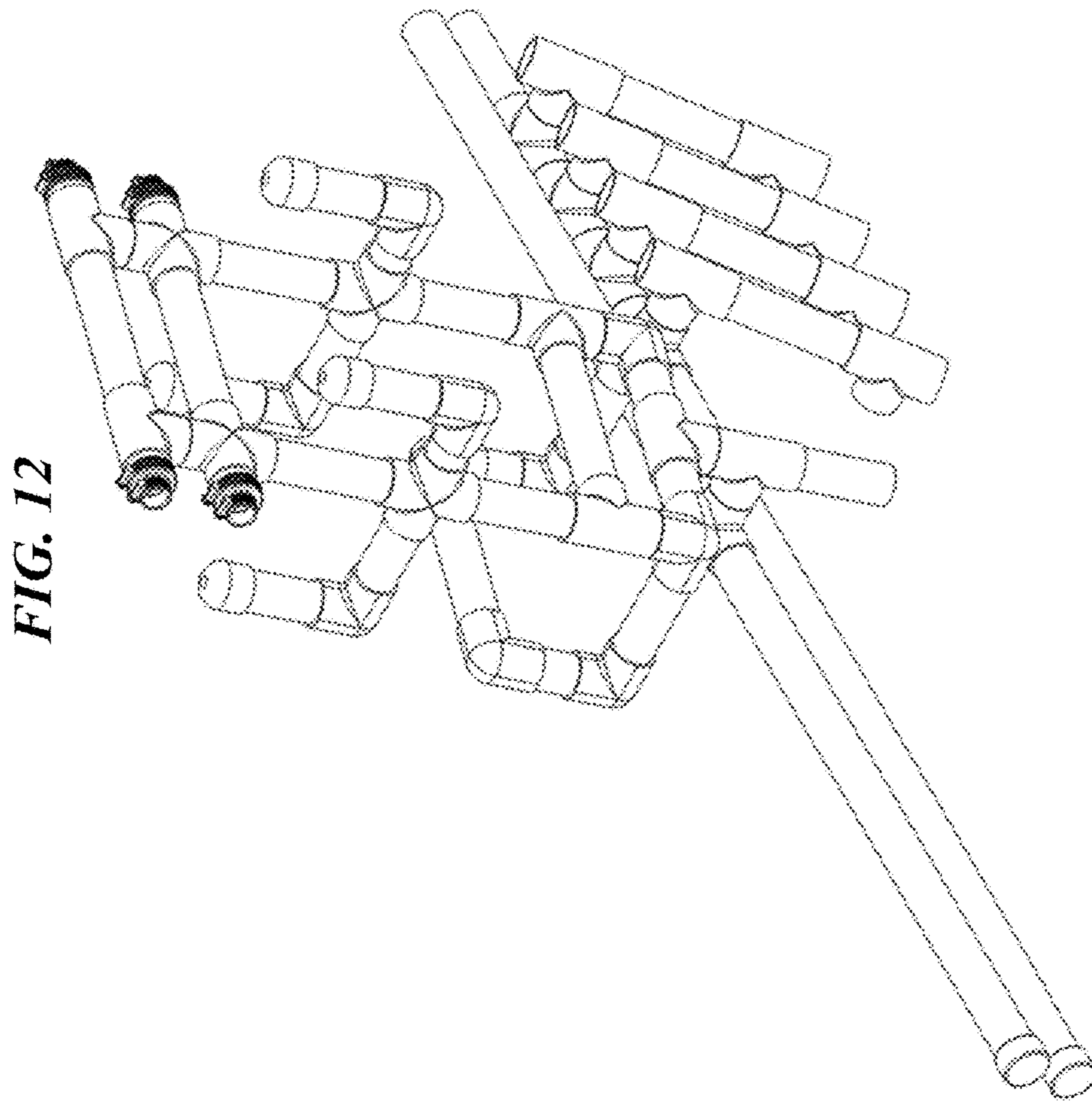




**FIG. 9**

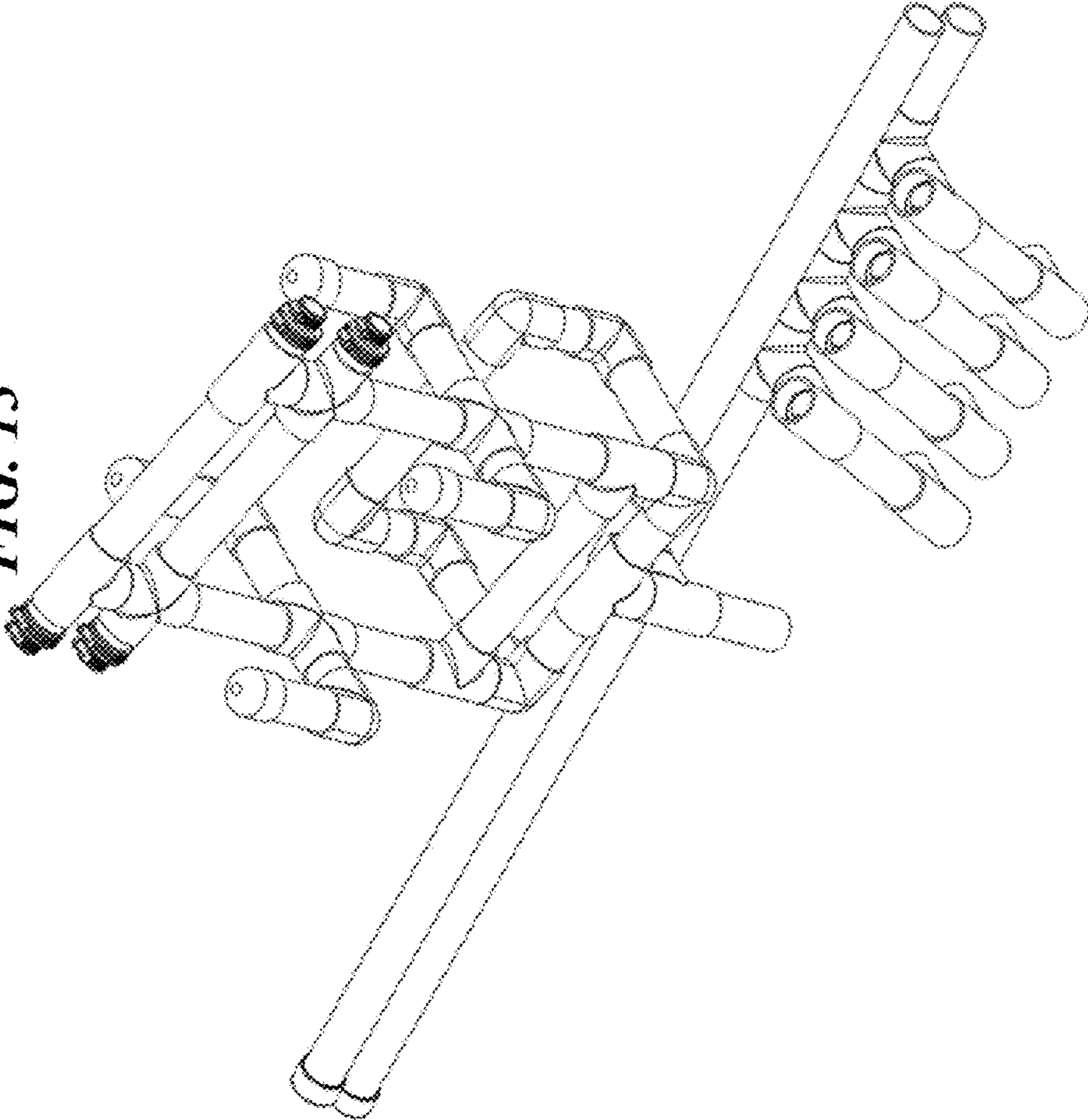


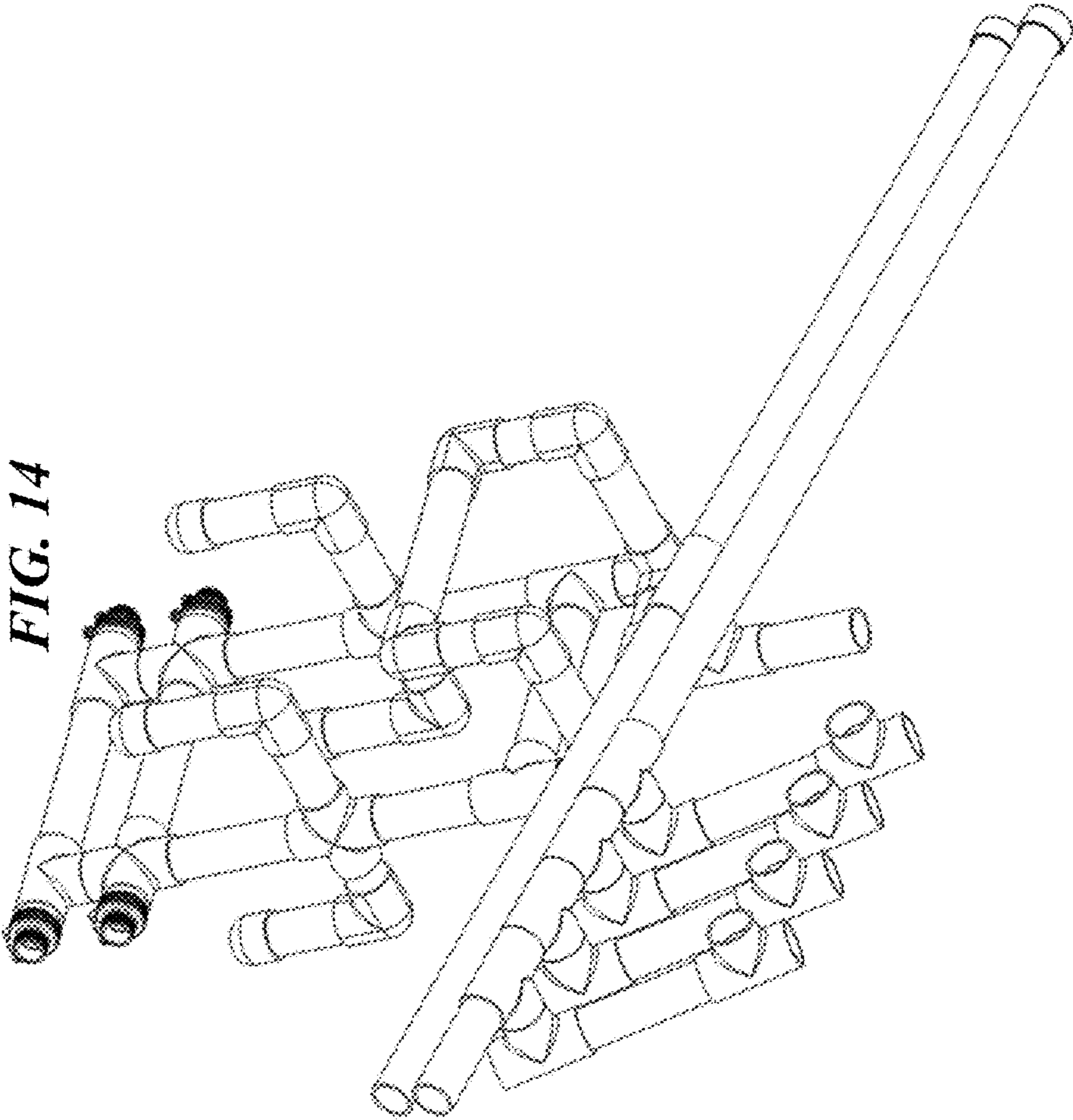




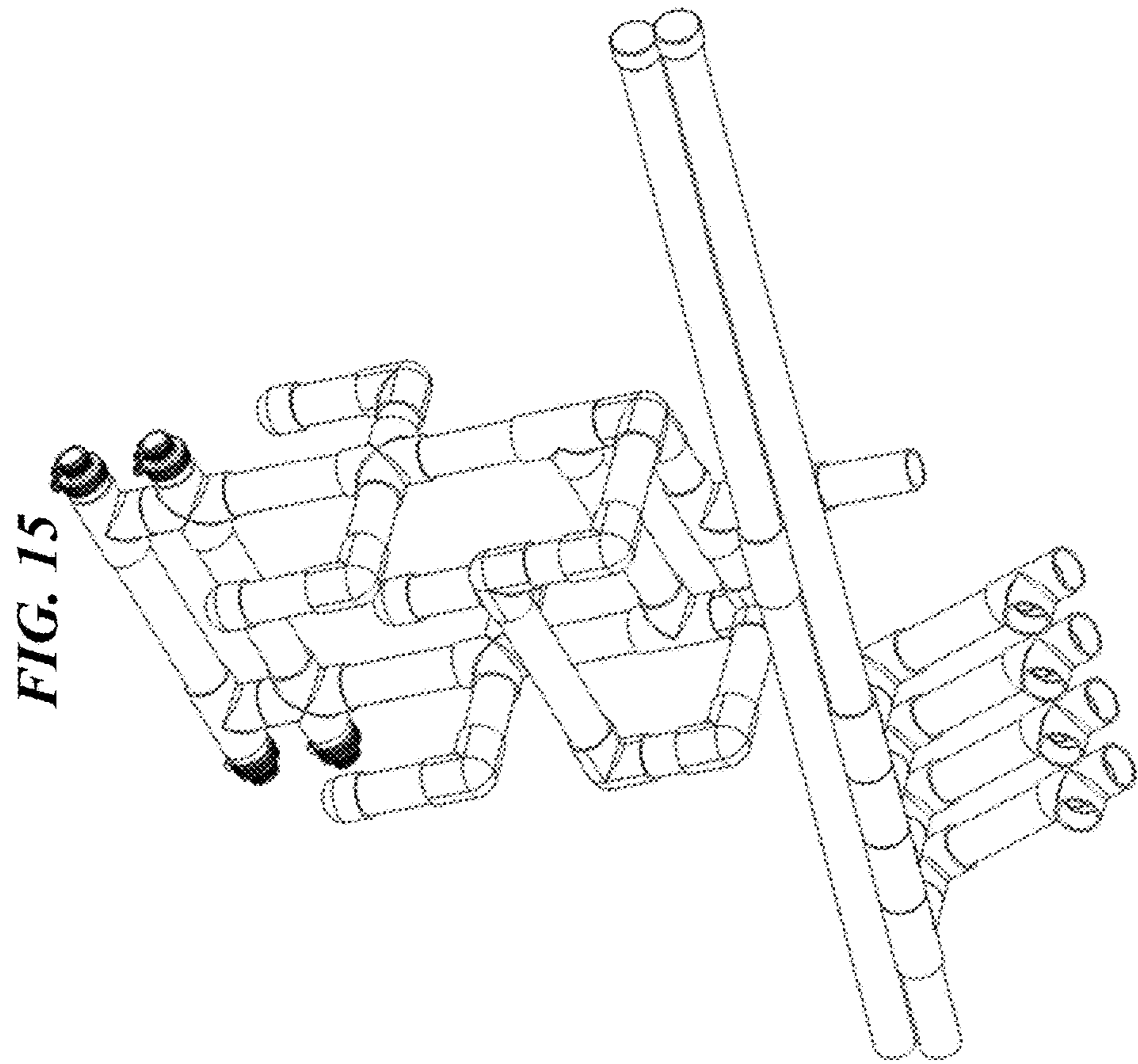
**FIG. 12**

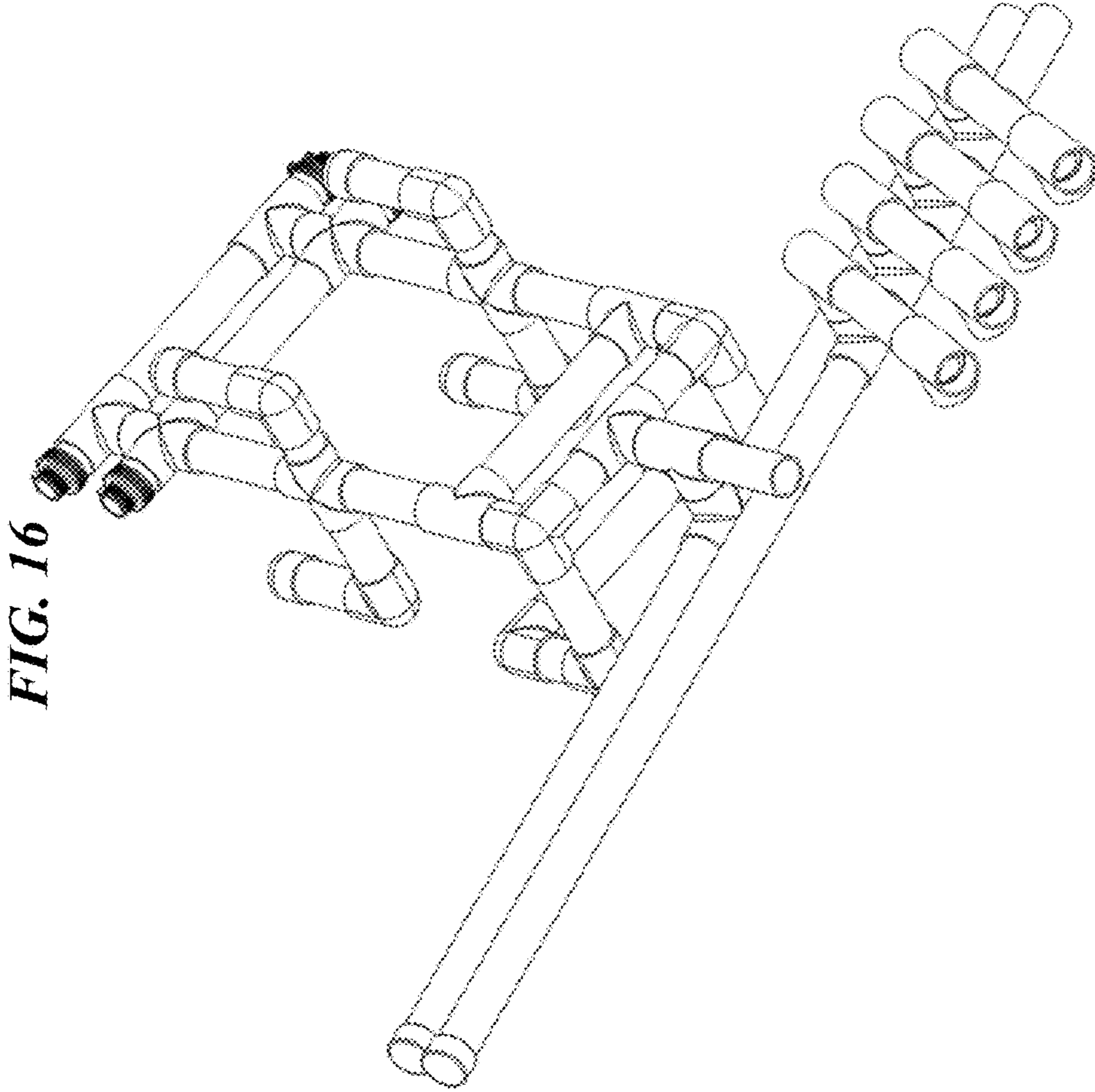
**FIG. 13**











**FIG. 16**