



US00D852548S

(12) **United States Design Patent**
Hu

(10) **Patent No.:** **US D852,548 S**
(45) **Date of Patent:** **** Jul. 2, 2019**

- (54) **HEIGHT ADJUSTABLE DESK**
- (71) Applicant: **Yajun Hu**, El Dorado Hills, CA (US)
- (72) Inventor: **Yajun Hu**, El Dorado Hills, CA (US)
- (73) Assignees: **Yajun Hu**, El Dorado Hills, CA (US);
EUREKA LLC, El Dorado Hills, CA (US)
- (**) Term: **15 Years**
- (21) Appl. No.: **29/623,591**
- (22) Filed: **Oct. 25, 2017**
- (51) **LOC (11) Cl.** **06-03**
- (52) **U.S. Cl.**
USPC **D6/655**
- (58) **Field of Classification Search**
USPC D6/641, 648, 648.2, 655, 655.1,
D6/655.11-655.16, 655.21, 656, 702,
D6/707.15, 707.19
CPC A47B 1/00; A47B 7/00; A47B 9/00; A47B
9/10; A47B 9/16; A47B 2009/006; A47B
11/00; A47B 13/00; A47B 13/081; A47B
21/0073; A47B 21/02; A47B 21/03; A47B
2200/005; A47B 2200/0064
See application file for complete search history.

(56) **References Cited**
U.S. PATENT DOCUMENTS

4,703,700	A	11/1987	Sema	
D478,225	S	8/2003	Wang	
D499,273	S	12/2004	Chang	
D499,576	S	12/2004	Long	
D526,812	S	8/2006	Chen	
D547,970	S	8/2007	Chou	
D549,009	S	8/2007	Lin	
8,118,375	B2	2/2012	Berthiaume et al.	
D771,982	S *	11/2016	Flaherty	D6/655
9,504,316	B1 *	11/2016	Streicher	A47B 21/02
9,572,422	B2	2/2017	Ergun et al.	
D781,617	S *	3/2017	Flaherty	D6/655

D781,619	S *	3/2017	Flaherty	D6/655
9,591,919	B2	3/2017	Ergun et al.	
D784,050	S *	4/2017	Flaherty	D6/655
D785,386	S *	5/2017	Flaherty	D6/707.15
9,635,932	B2	5/2017	Kelley et al.	

(Continued)

OTHER PUBLICATIONS

FlexiSpot Standing Desk, posted at Amazon.com, posted on Dec. 16, 2016, site visited Jan. 29, 2019. available from internet: <https://www.amazon.com/FlexiSpot-Standing-Desk-Removable-M4B-Corner-Black/dp/B01NORHZAW> (Year: 2016).*

Primary Examiner — Mary Ann Calabrese
Assistant Examiner — Catherine Ho

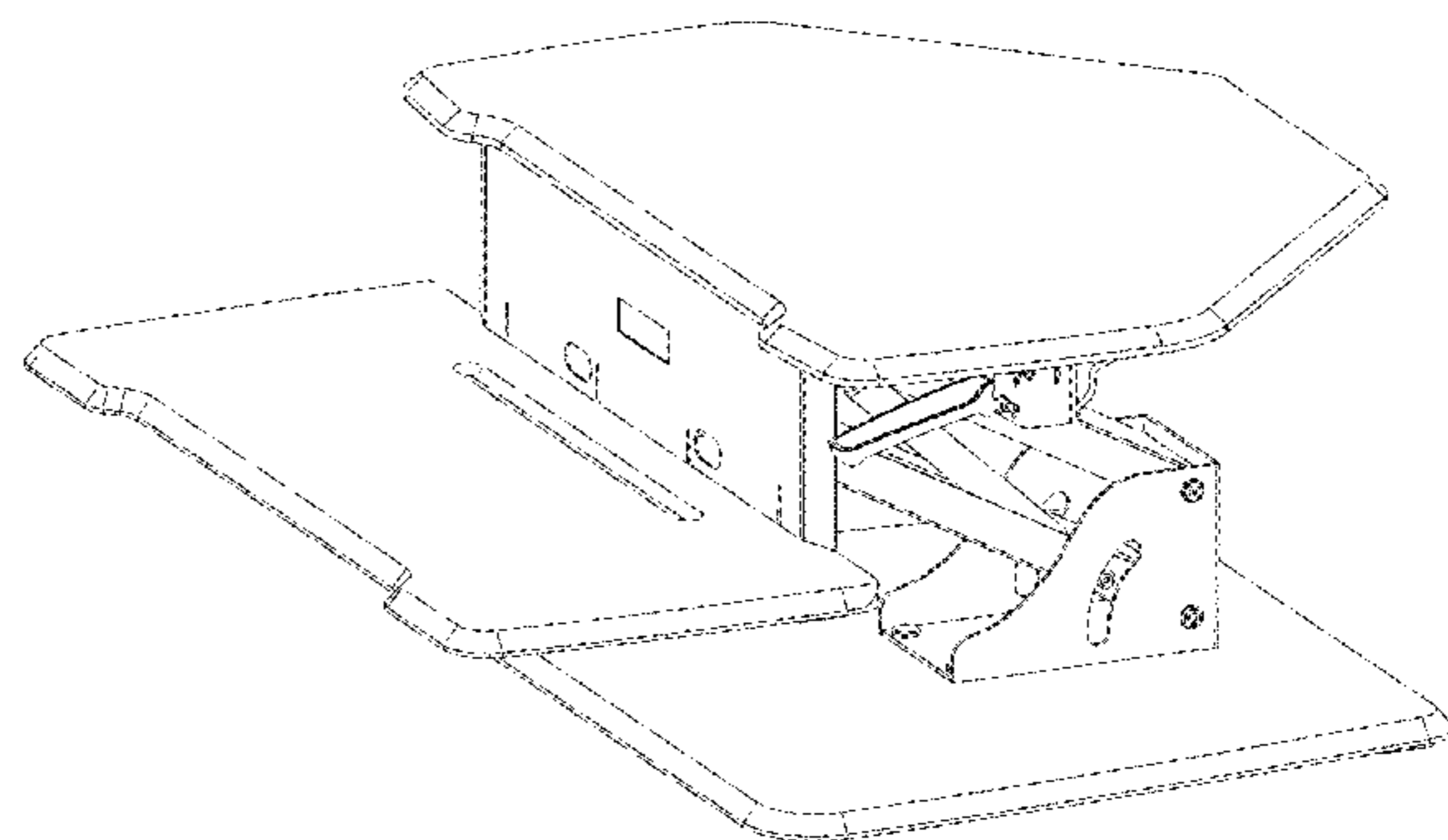
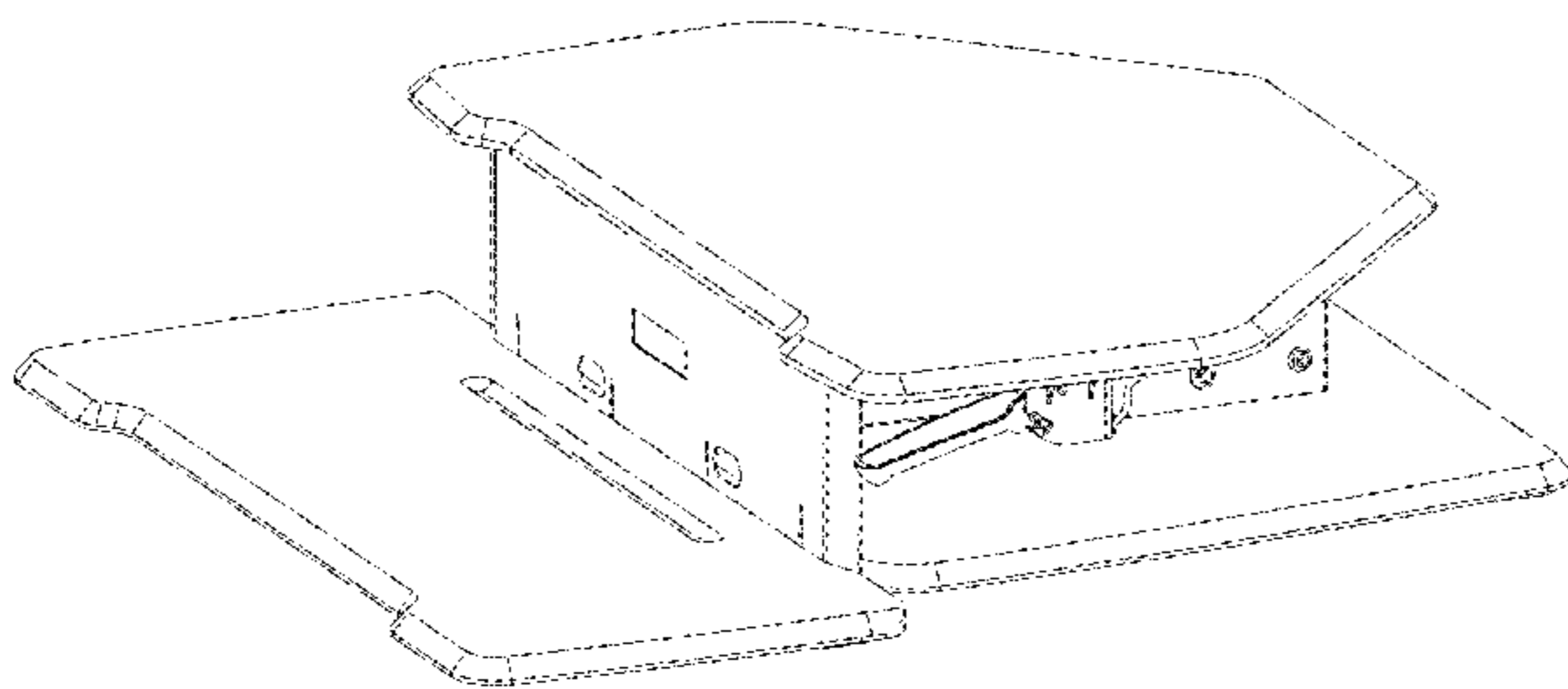
(57) **CLAIM**

The ornamental design for a height adjustable desk, as shown and described.

DESCRIPTION

FIG. 1 is a perspective view of a height adjustable desk in a collapsed position, showing my new design;
 FIG. 2 is another perspective view thereof;
 FIG. 3 is a front view thereof;
 FIG. 4 is a bottom view thereof;
 FIG. 5 is a top view thereof;
 FIG. 6 is a rear view thereof;
 FIG. 7 is a left side view thereof;
 FIG. 8 is a right side view thereof;
 FIG. 9 is a perspective view of a height adjustable desk in an extended position;
 FIG. 10 is another perspective view thereof;
 FIG. 11 is a front view thereof;
 FIG. 12 is a bottom view thereof;
 FIG. 13 is a top view thereof;
 FIG. 14 is a rear view thereof;
 FIG. 15 is a left side view thereof; and,
 FIG. 16 is a right side view thereof.

1 Claim, 16 Drawing Sheets



(56)

References Cited

U.S. PATENT DOCUMENTS

D814,214 S * 4/2018 Flaherty D6/648
9,961,991 B1 * 5/2018 Chen A47B 21/02
D832,002 S * 10/2018 Hu D6/655.13
D836,952 S * 1/2019 Hu D6/648
2017/0354245 A1 * 12/2017 Martin A47B 21/02
2018/0177289 A1 * 6/2018 Chen A47B 21/0314

* cited by examiner

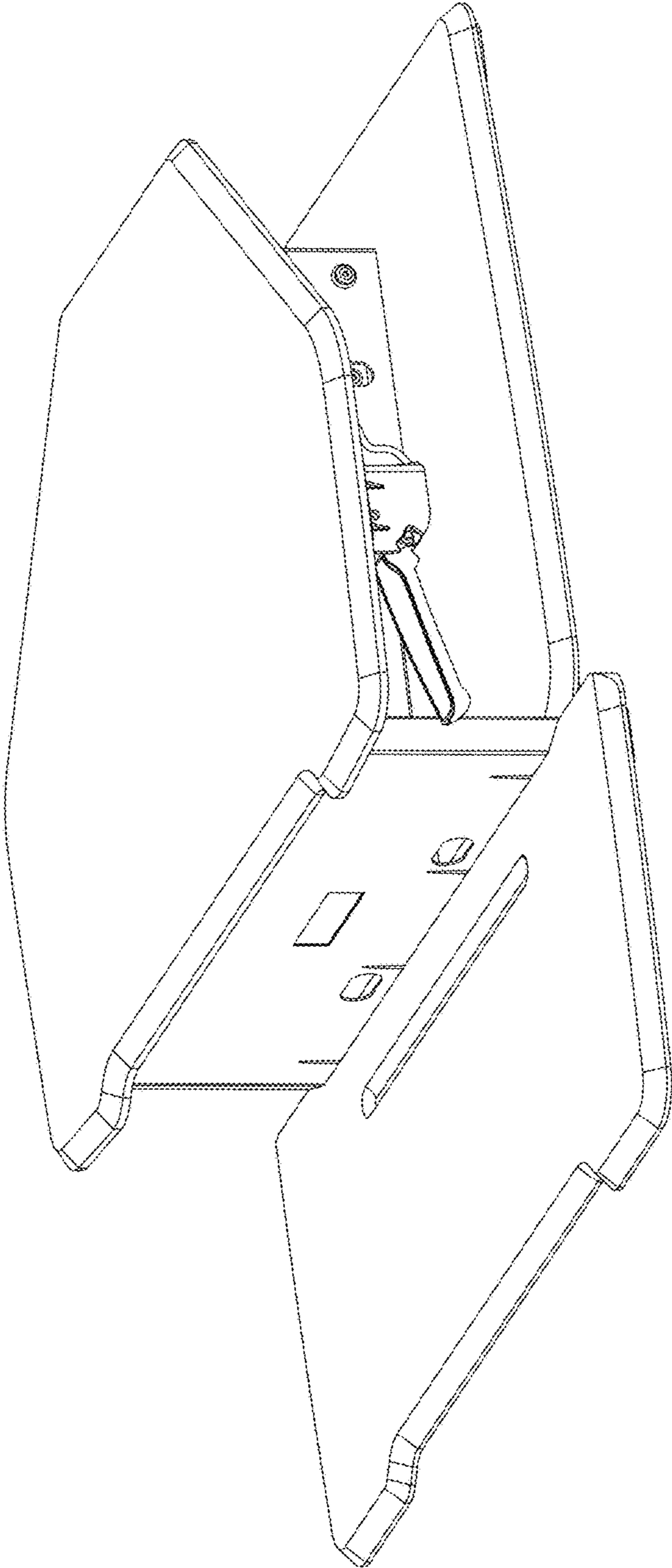


FIG. 1

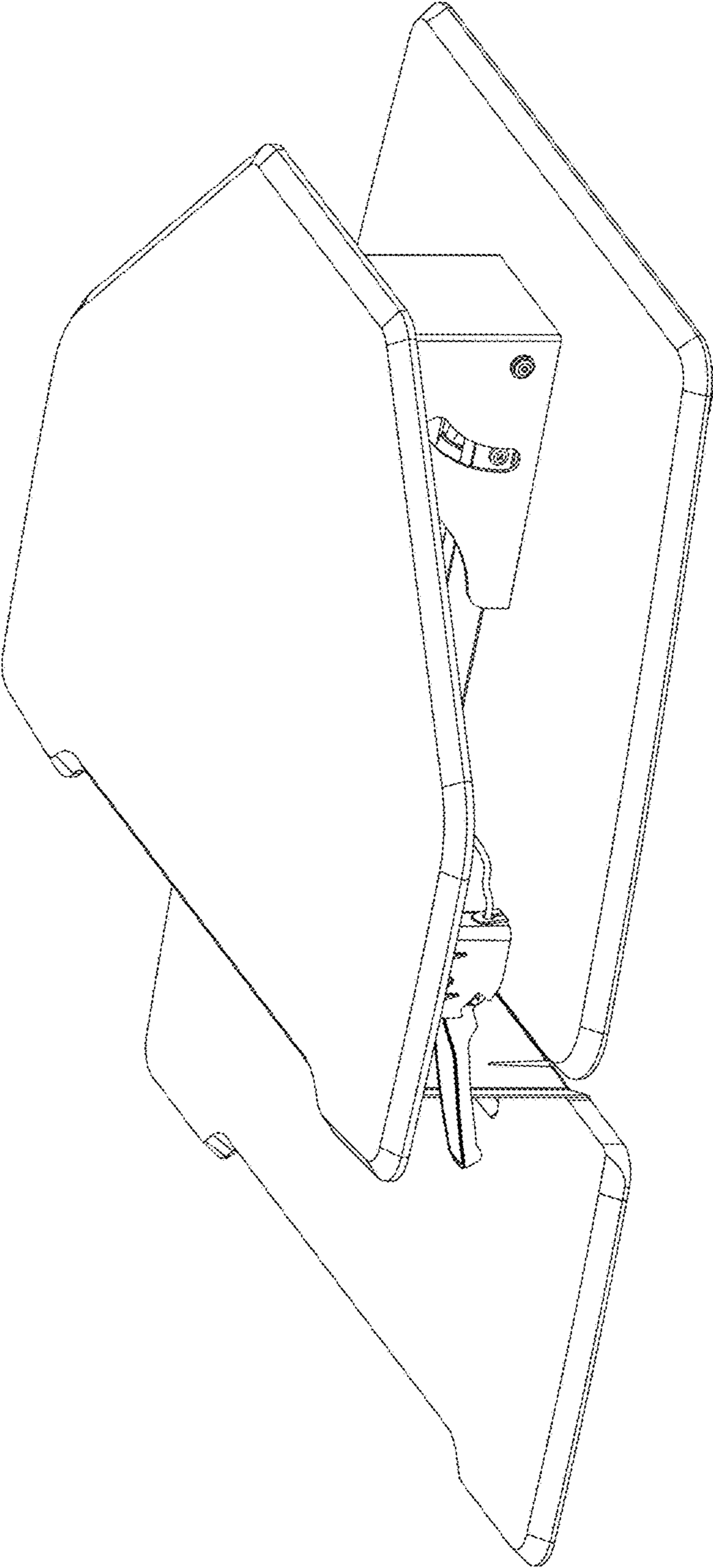


FIG. 2

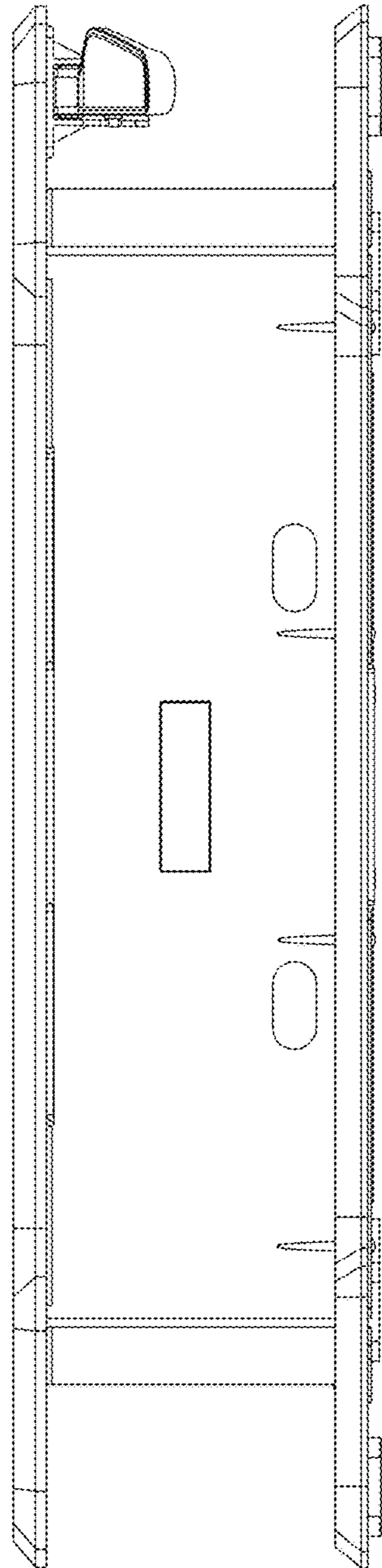


FIG. 3

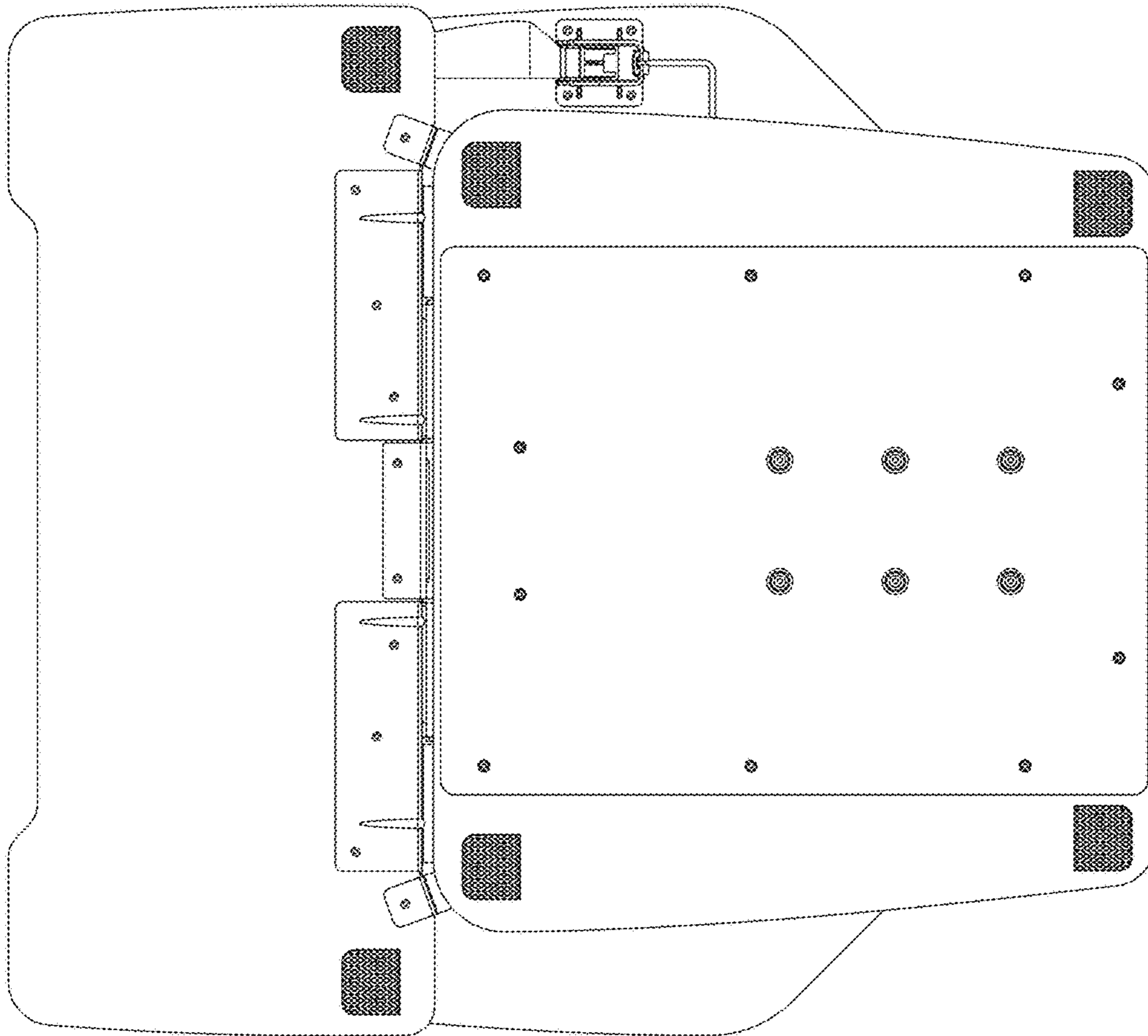


FIG. 4

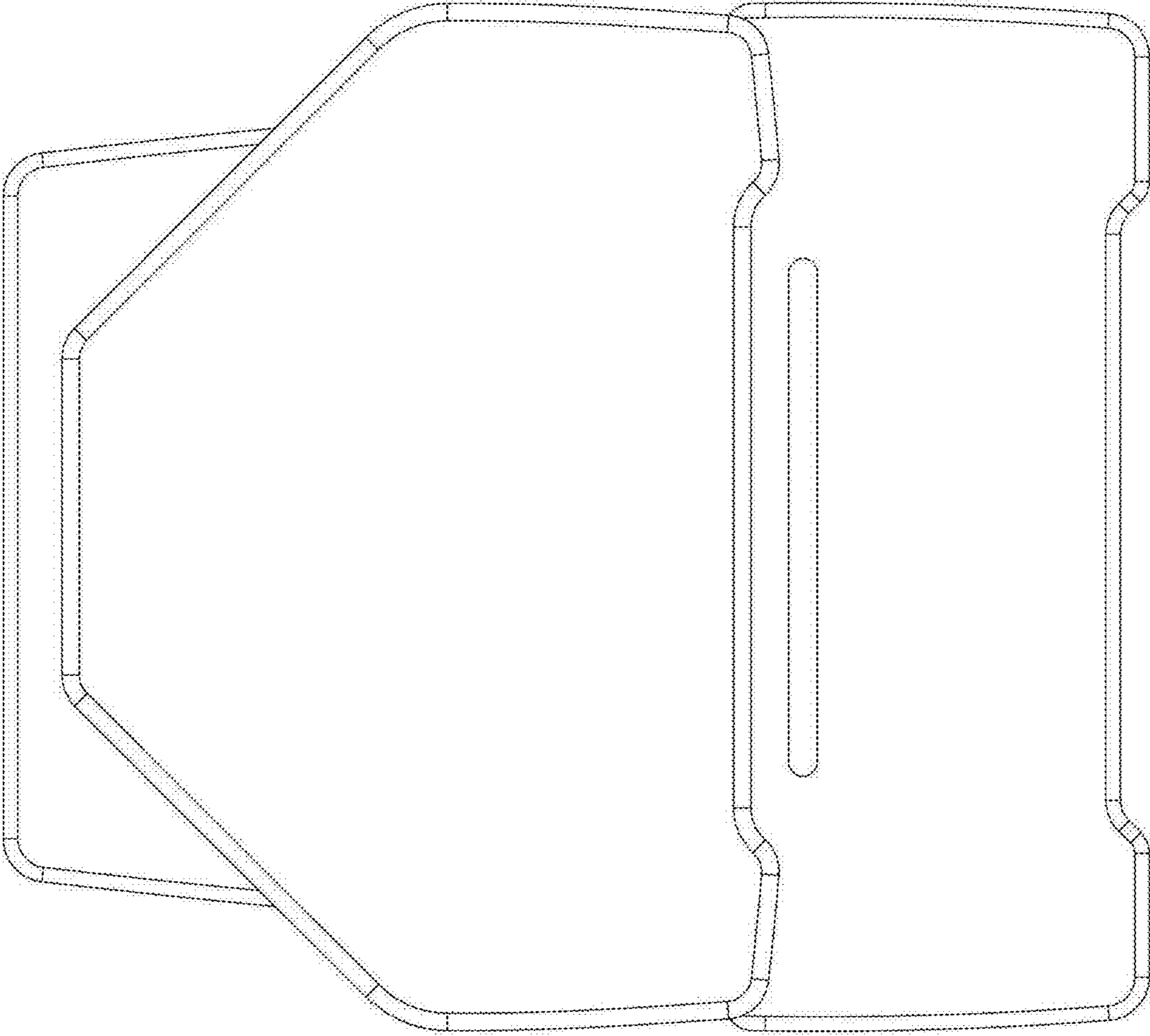


FIG. 5

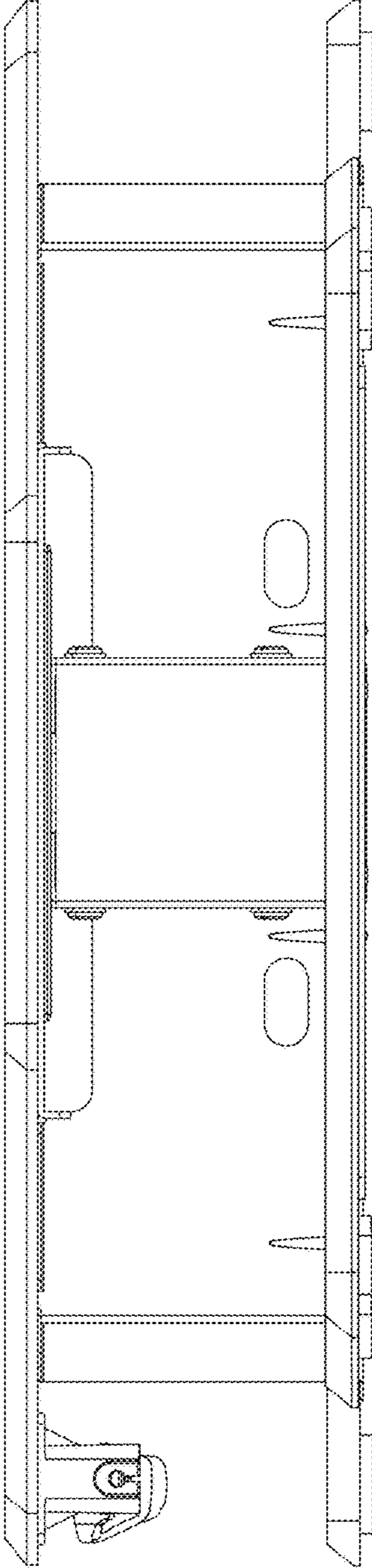


FIG. 6

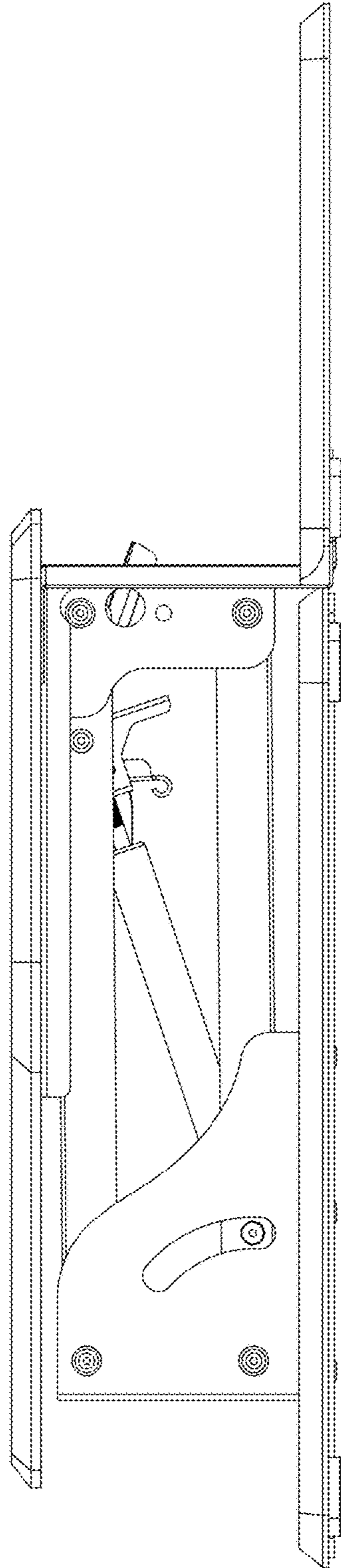


FIG. 7

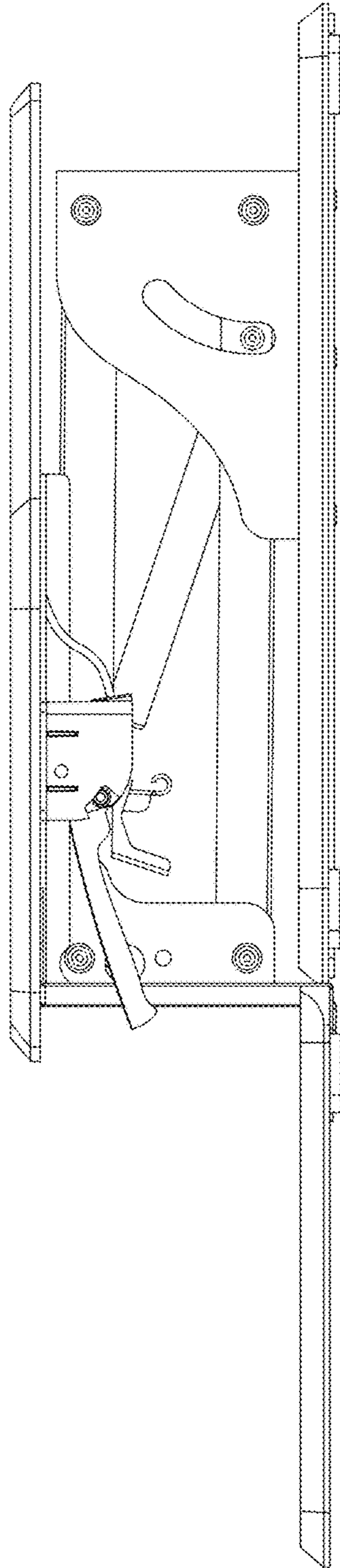


FIG. 8

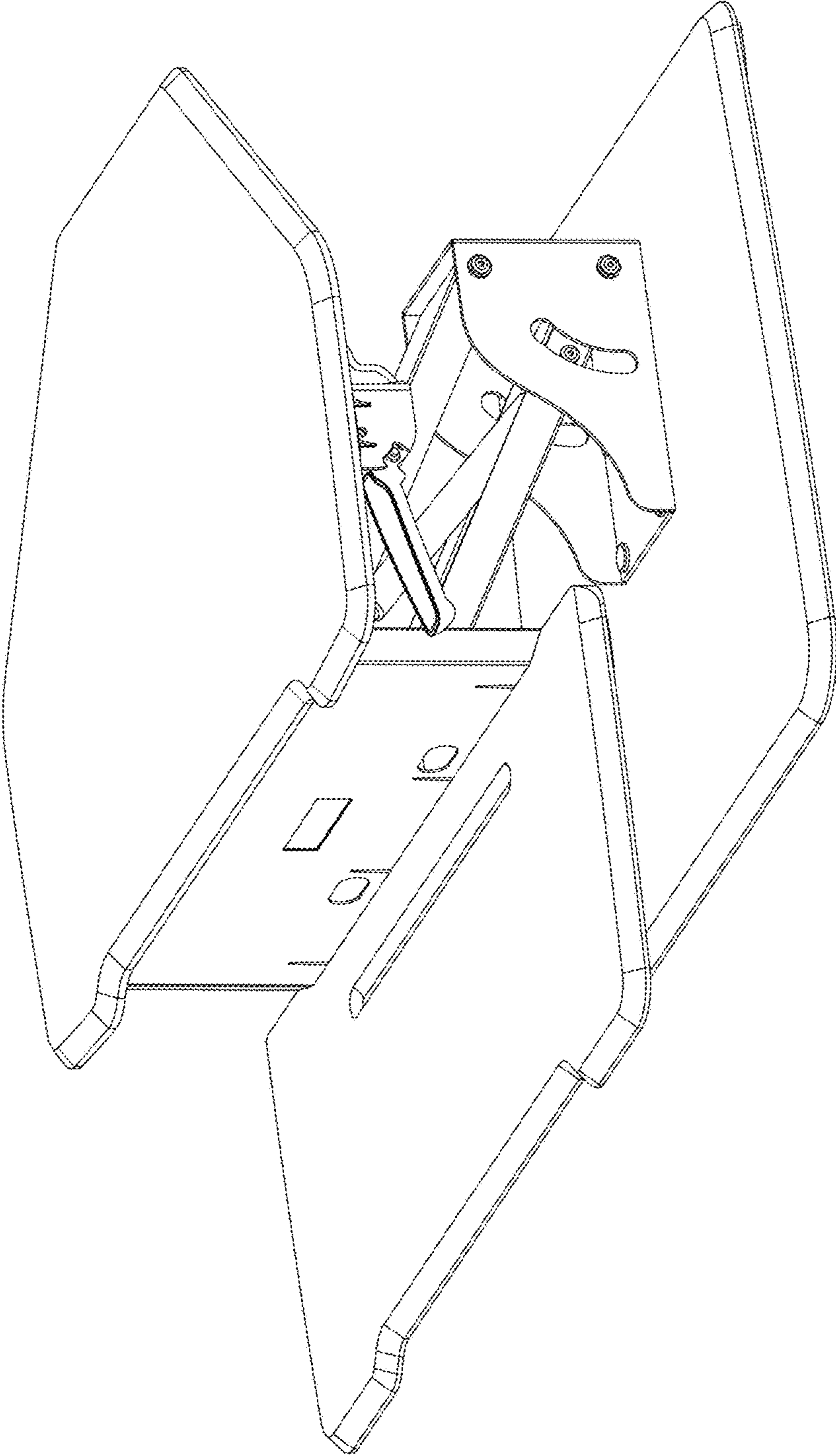


FIG. 9

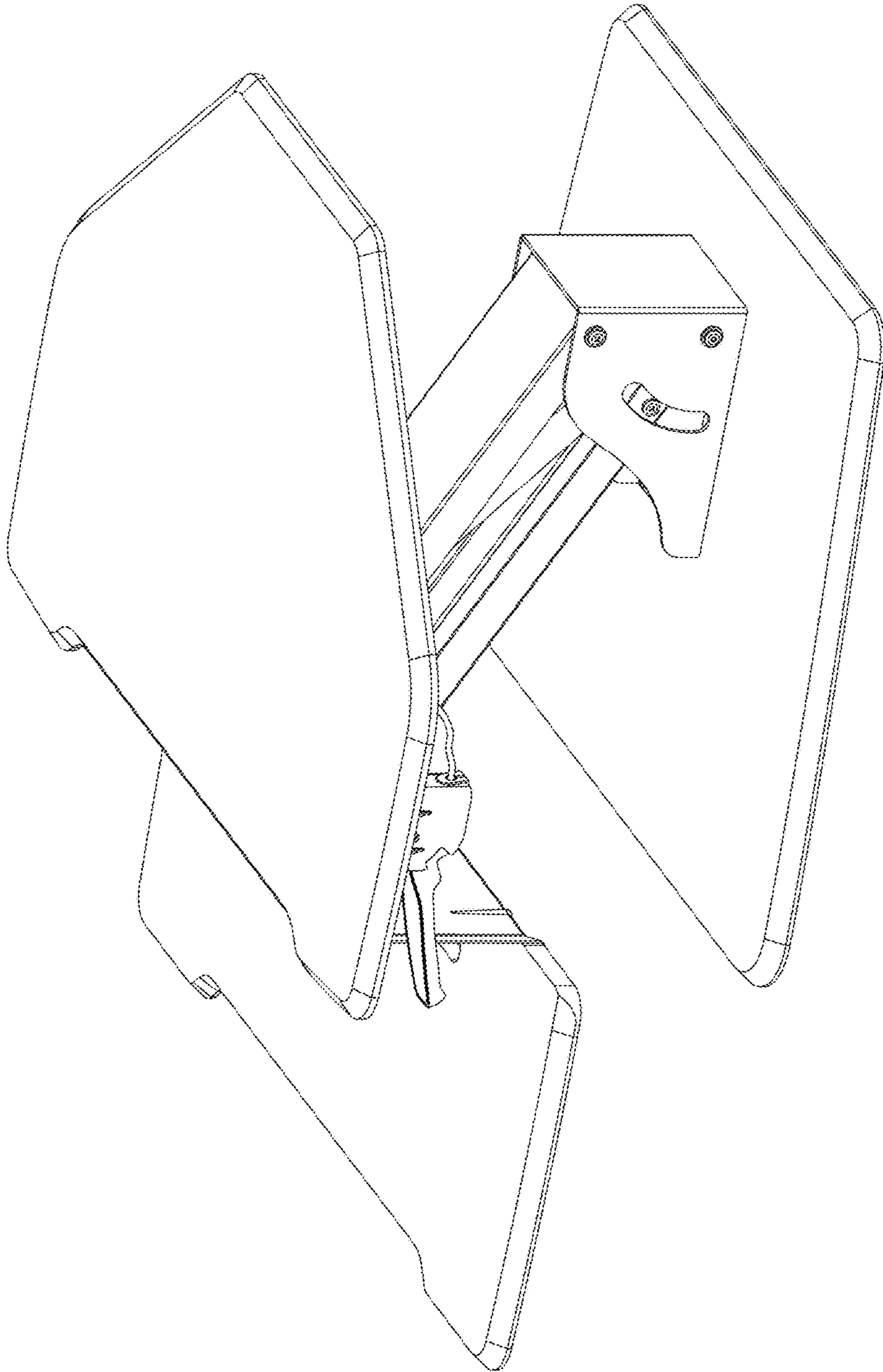


FIG. 10

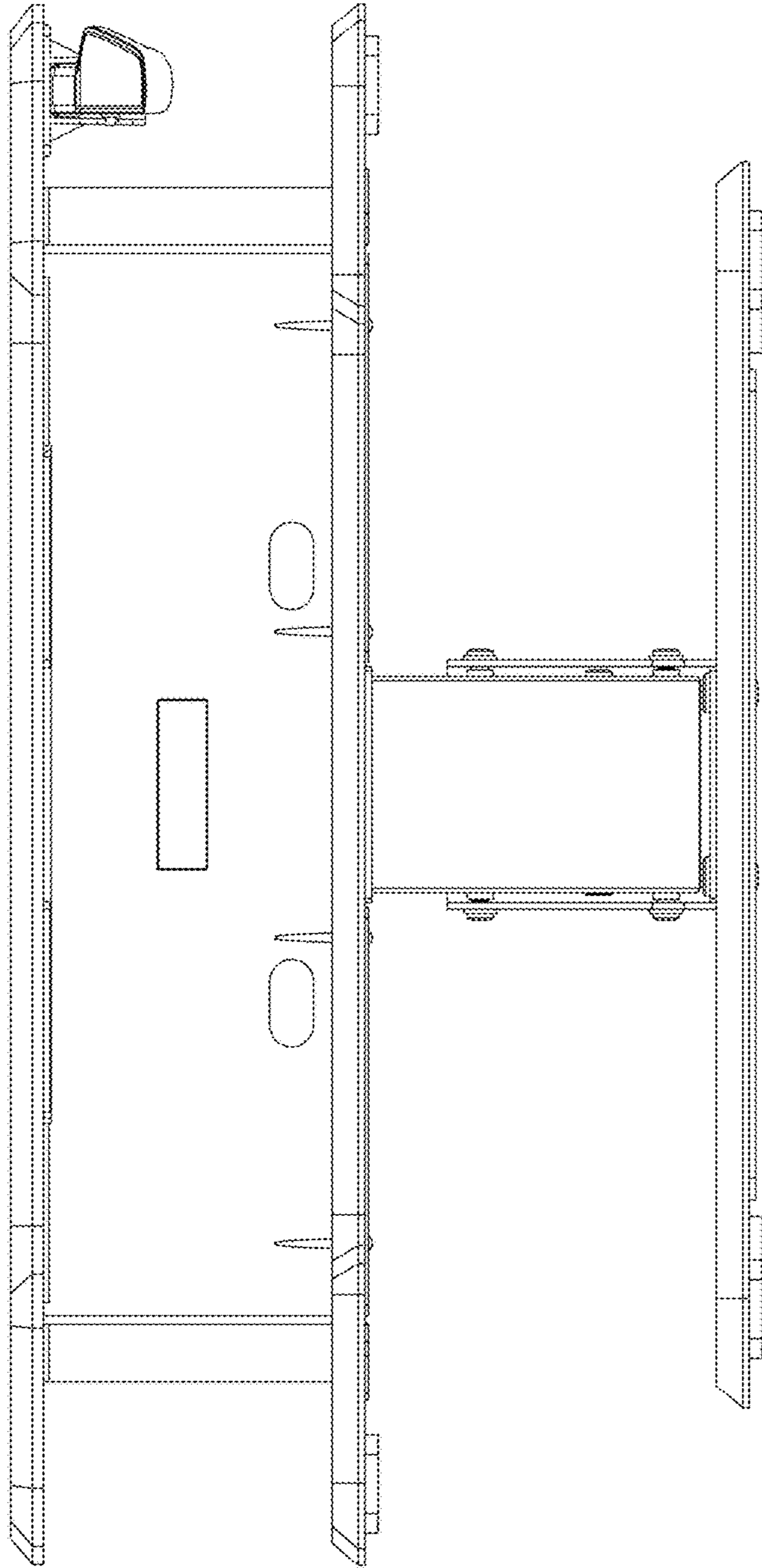


FIG. 11

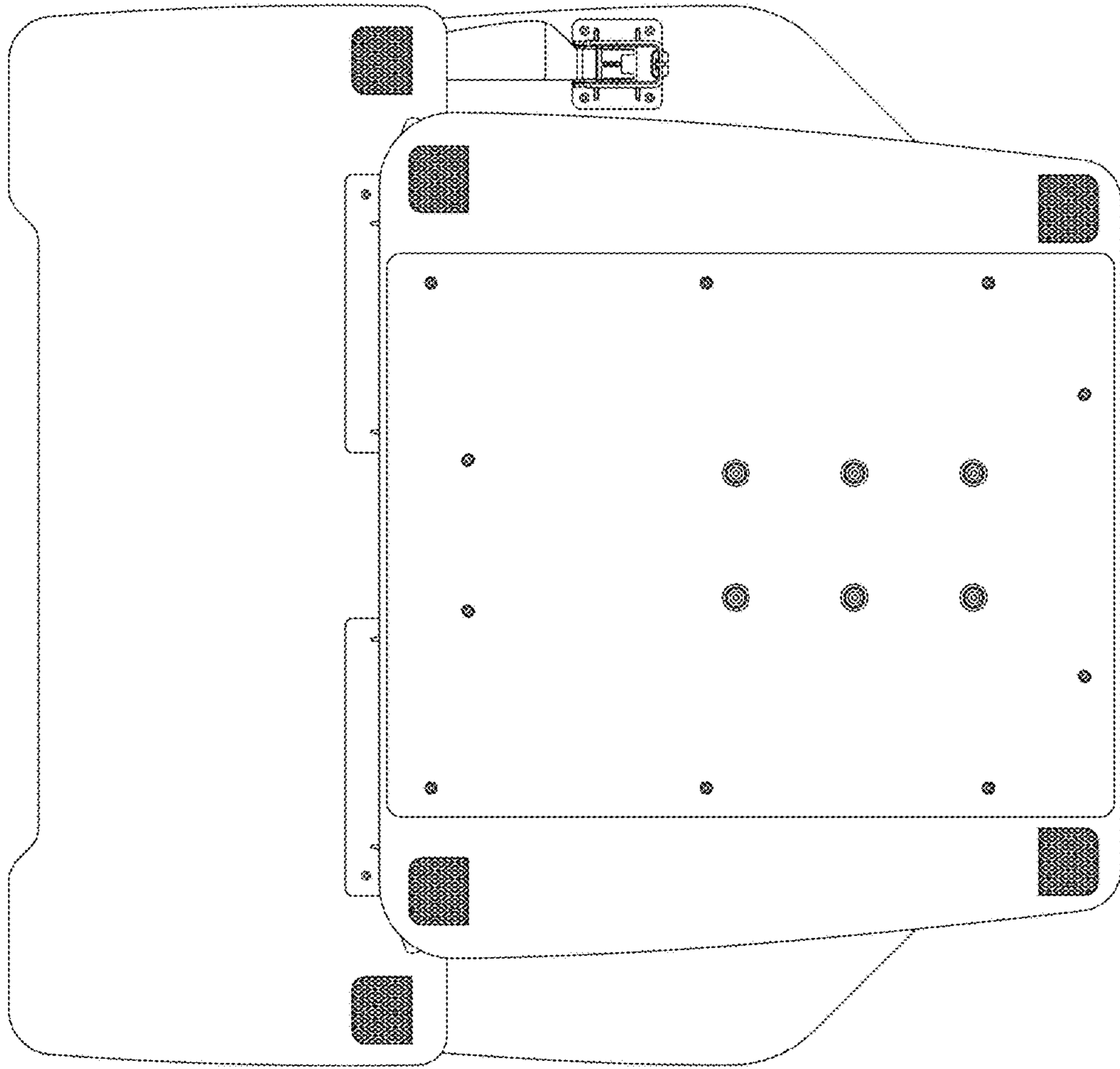


FIG. 12

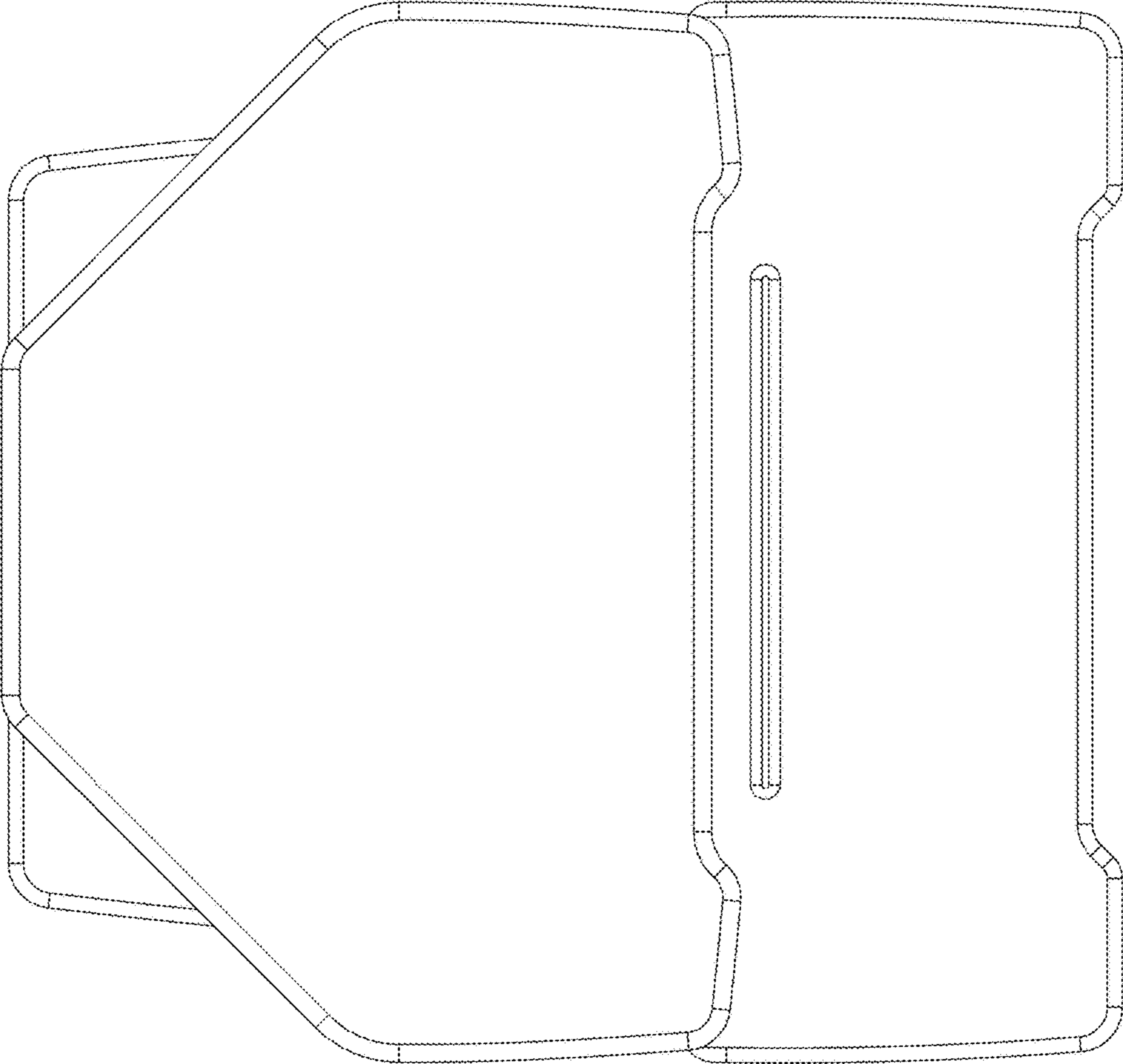


FIG. 13

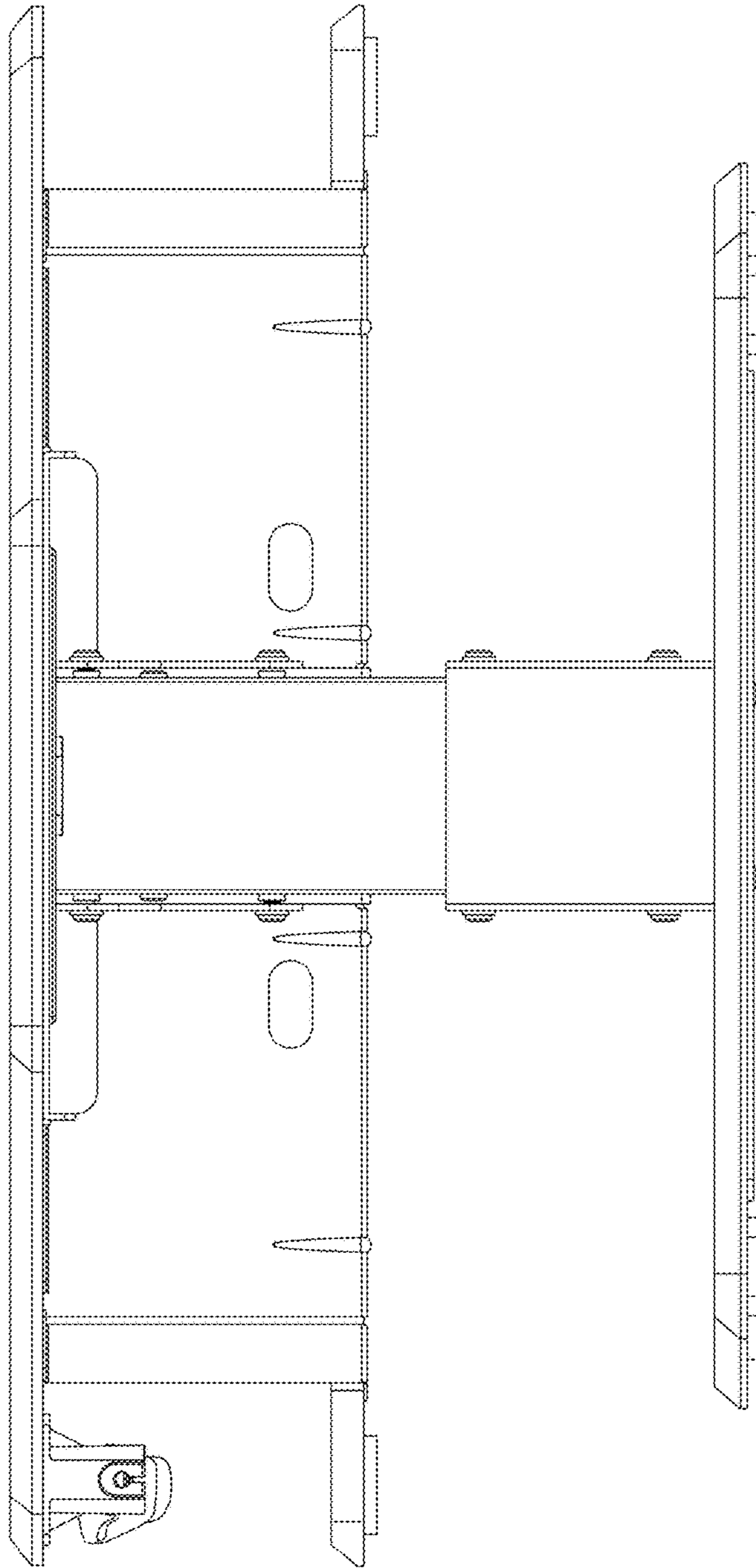


FIG. 14

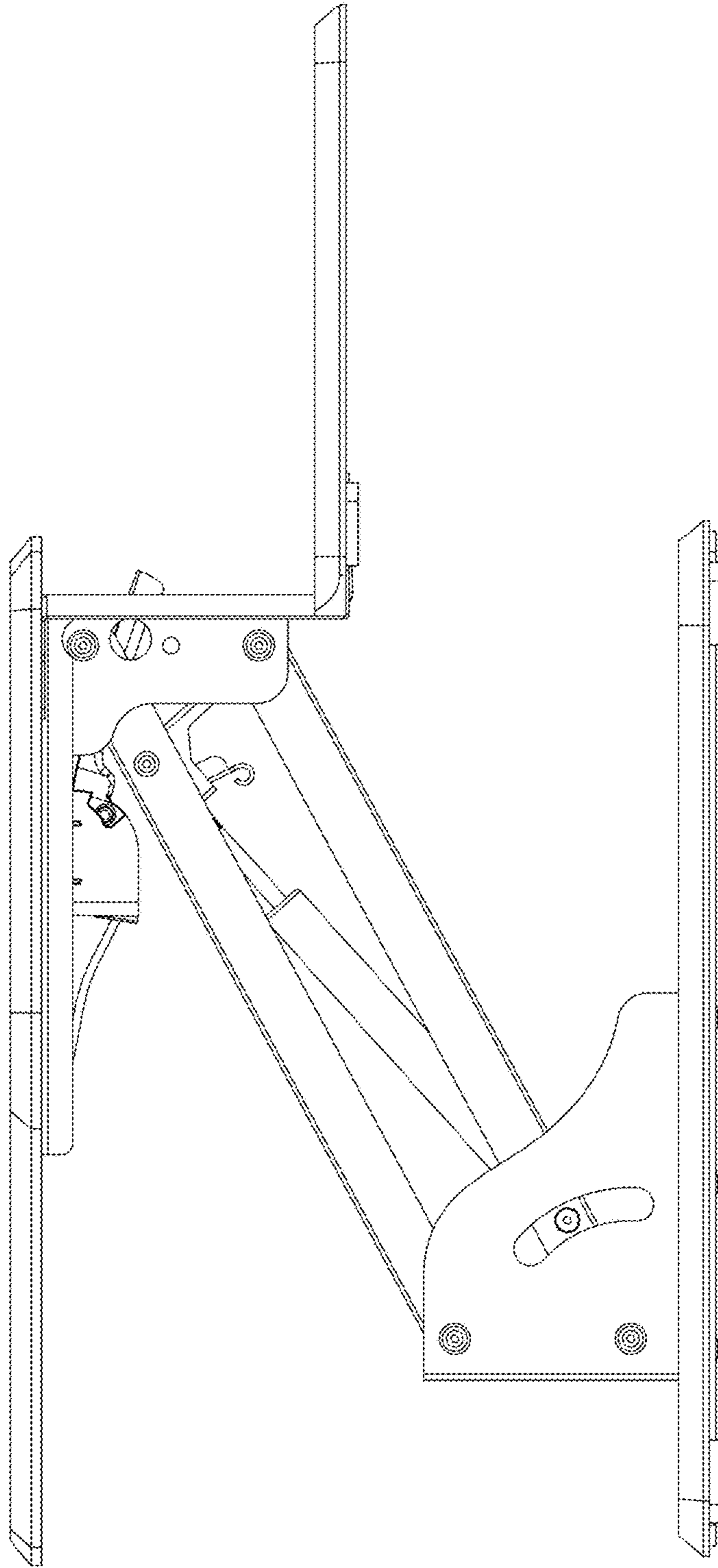


FIG. 15

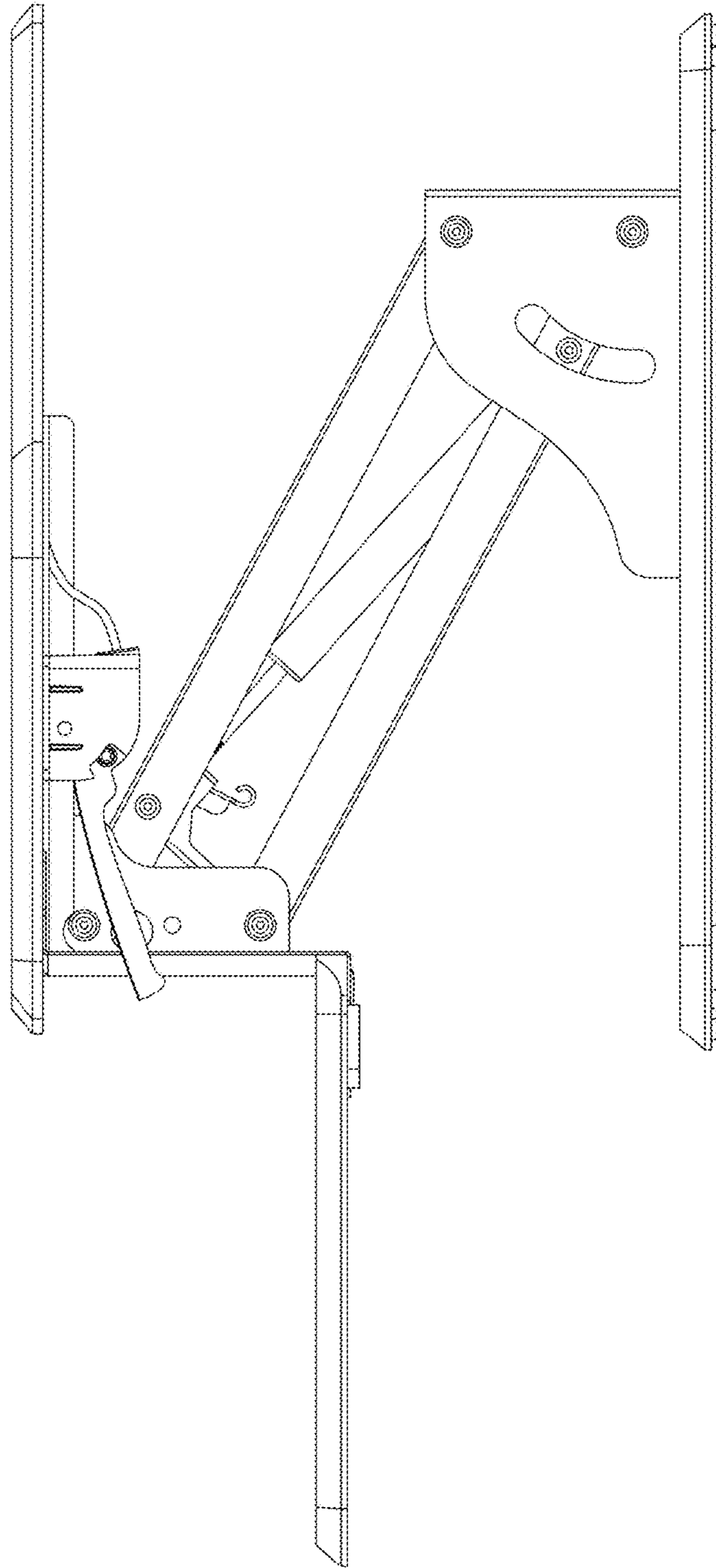


FIG. 16