



US00D852547S

(12) **United States Design Patent** (10) **Patent No.:** **US D852,547 S**
Beaupre (45) **Date of Patent:** **** Jul. 2, 2019**

(54) **CHILD SWING CUSHIONING INSERT**

FOREIGN PATENT DOCUMENTS

(71) Applicant: **Melissa J. Beaupre**, Delta (CA)

CA 2385274 C 11/2002
CN 201220357817 2/2013
DE 29915173 U1 * 11/1999 A47C 7/021

(72) Inventor: **Melissa J. Beaupre**, Delta (CA)

OTHER PUBLICATIONS

(*) Notice: This patent is subject to a terminal disclaimer.

Amazon, Britax Head and Body Support Pillow, posted on Dec. 1, 2014, [online], [site visited on Aug. 1, 2017]. Available from Internet, URL: https://www.amazon.co.uk/Britax-Head-Body-Support-Pillow/dp/B006ZVV0R0/ref=sr_1_1_a_it?ie=UTF8&qid=1501601094&sr=8-1&keywords=Britax+Head+and+Body+Support+Pillow%2C+Iron%2FGray.*

(**) Term: **15 Years**

(21) Appl. No.: **29/558,893**

(Continued)

(22) Filed: **Mar. 22, 2016**

(51) **LOC (11) Cl.** **06-13**

Primary Examiner — Sheryl Lane

(52) **U.S. Cl.**

Assistant Examiner — Samantha N Wood

USPC **D6/611**

(58) **Field of Classification Search**

(57) **CLAIM**

USPC D21/811, 814, 822–825; D12/401–405;
D7/332, 333–337; D24/127, 132, 189,
D24/190; D6/595, 596, 601, 602, 603,
D6/604, 610, 611, 615, 617, 621

The ornamental design for a child swing cushioning insert, as shown and described.

CPC A47C 31/00; A47C 31/02; A47C 31/11;
A47C 7/021; A47C 7/18; A47C 4/06;
A47C 4/30; A47C 5/06; A47C 1/11;
A47D 1/10; A63G 9/00

DESCRIPTION

See application file for complete search history.

FIG. 1 is a perspective view of a first embodiment of the design shown in its environment;
FIG. 2 is an isometric perspective view of the first embodiment of the design;
FIG. 3 is a top view of the first embodiment;
FIG. 4 is a bottom view of the first embodiment;
FIG. 5 is a front view of the first embodiment;
FIG. 6 is a rear view of the first embodiment;
FIG. 7 is a left side view of the first embodiment;
FIG. 8 is a right side view of the first embodiment;
FIG. 9 is an isometric perspective view of a second embodiment of the design in an open position;
FIG. 10 is a top view of the second embodiment in the open position;
FIG. 11 is a top view of the second embodiment in a rolled-up position; and,
FIG. 12 is a bottom view of the second embodiment in the rolled-up position.

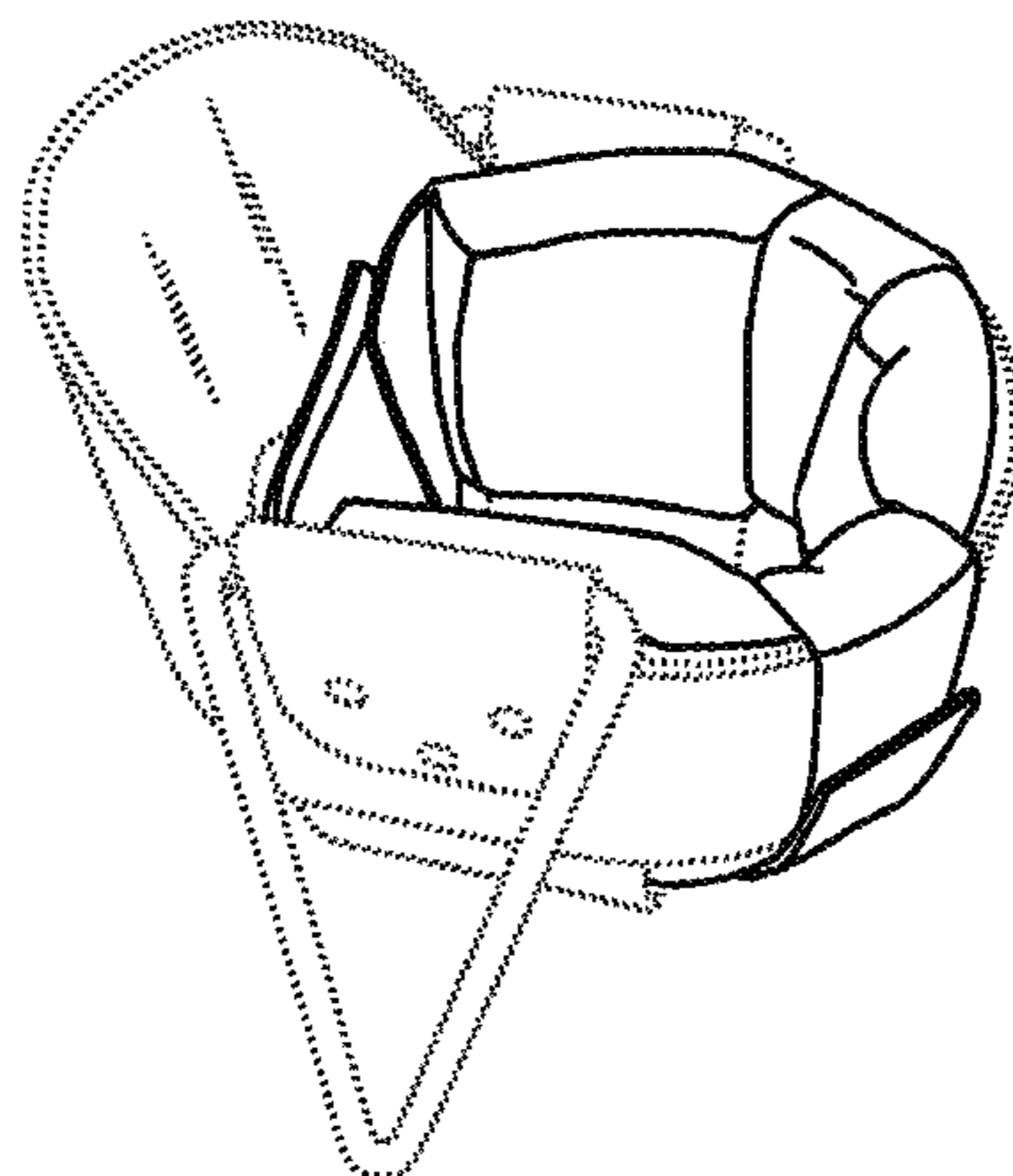
(56) **References Cited**

U.S. PATENT DOCUMENTS

1,047,163 A * 12/1912 Bullock A61F 9/04
2/15
4,471,993 A * 9/1984 Watson A47C 7/425
297/230.13
4,834,459 A 5/1989 Leach
D308,614 S * 6/1990 Gordon D6/611
5,988,742 A 11/1999 Stevens
6,143,392 A * 11/2000 Hughes B05B 15/0456
118/505
D436,281 S * 1/2001 Thompson D6/333

(Continued)

(Continued)



The environment shown in dashed lines in FIG. 1 is not part of the claimed design.

1 Claim, 5 Drawing Sheets

(56)

References Cited

U.S. PATENT DOCUMENTS

D439,342	S *	3/2001	Seip, Jr.	24/190
D450,970	S *	11/2001	Self	A47C 1/14 D6/611
D453,043	S *	1/2002	Hart	D24/206
6,428,098	B1 *	8/2002	Allbaugh	A47D 1/00 297/219.12
6,702,381	B2	3/2004	Endicott et al.	
6,752,457	B2	6/2004	Gold et al.	
D496,322	S *	9/2004	Farney	12/401
D502,039	S *	2/2005	Cohen-Fyffe	D6/611
6,848,743	B1	2/2005	Collins	
6,851,749	B2	2/2005	Norman	
7,156,458	B2 *	1/2007	Hanberg	A47D 15/006 297/219.1
7,175,535	B1	2/2007	Marmentini	
D565,740	S *	4/2008	Sybrandts	24/190
7,350,252	B2	4/2008	Telegadis et al.	
7,578,746	B1	8/2009	Johnson	
7,694,371	B2	4/2010	Telegadis et al.	
7,878,587	B1	2/2011	Leach	

D636,211	S *	4/2011	Kolander	D6/601
D658,565	S *	5/2012	Akmal	12/401
D669,838	S *	10/2012	Valenta	D12/403
D674,646	S *	1/2013	Valenta	D6/610
8,382,201	B2	2/2013	Mills	
8,556,343	B2	10/2013	Rubinshteyn	
D698,588	S	2/2014	Prattas	
8,740,302	B2	6/2014	Mills	
D730,630	S *	6/2015	Duff	D2/894
D759,993	S *	6/2016	Stinson	D6/610
D787,518	S *	5/2017	Tudisco	14/411
9,682,325	B2 *	6/2017	Dufault Rindfleisch	A63G 9/00

2007/0243939	A1	10/2007	Mead	
2009/0160231	A1	6/2009	McCurdy	
2015/0028640	A1	1/2015	Mills	
2016/0249745	A1 *	9/2016	Marton	A47C 31/007
2017/0144575	A1 *	5/2017	Carr	B60N 2/6027

OTHER PUBLICATIONS

Amazon, Baby Bee-Haven Swing n' Smart, posted on May 2, 2014, [online], [site visited on Aug. 1, 2017]. Available from Internet, URL: <https://www.amazon.co.uk/d/Baby-Products/Baby-Bee-Haven-21234-Swing-n-Smart/B009UH3YY5>.*

Youtube, Swingin Smart Bucket Swing Seat Cover, posted on Apr. 10, 2012, [online], [site visited on Aug. 1, 2017]. Available from Internet, URL: <https://www.youtube.com/watch?v=gd8qXZle09g>.*

* cited by examiner

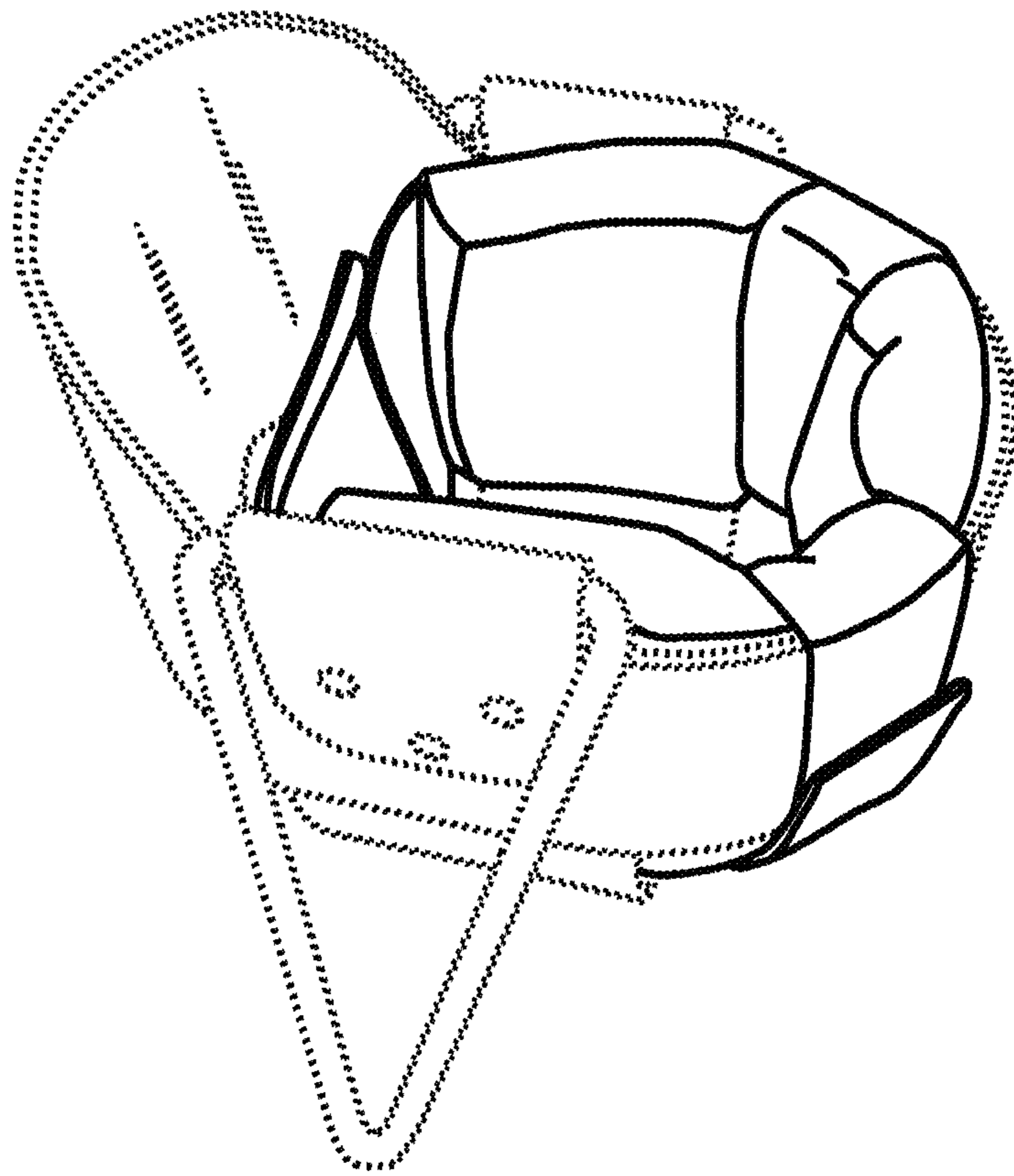


Fig. 1

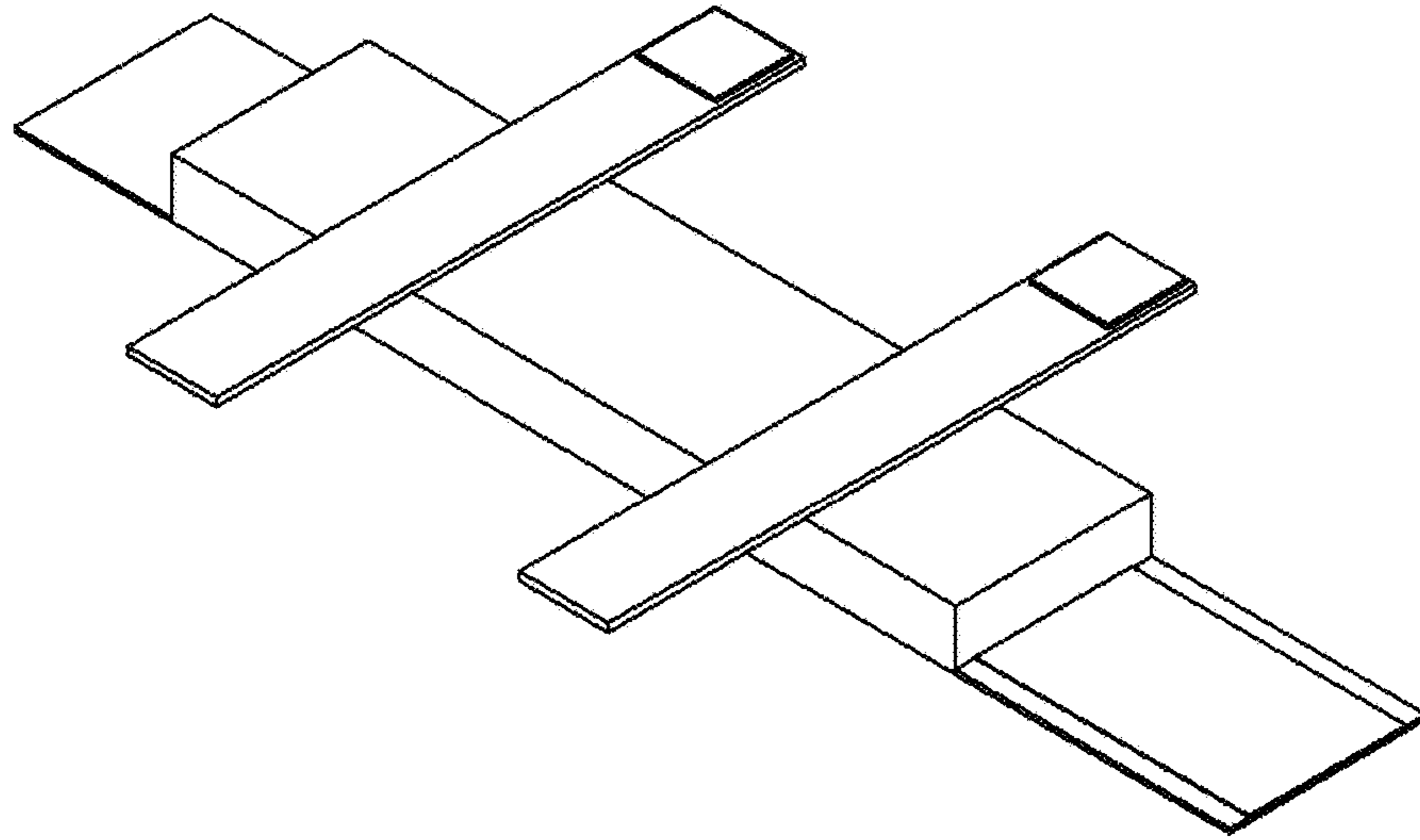


Fig. 2

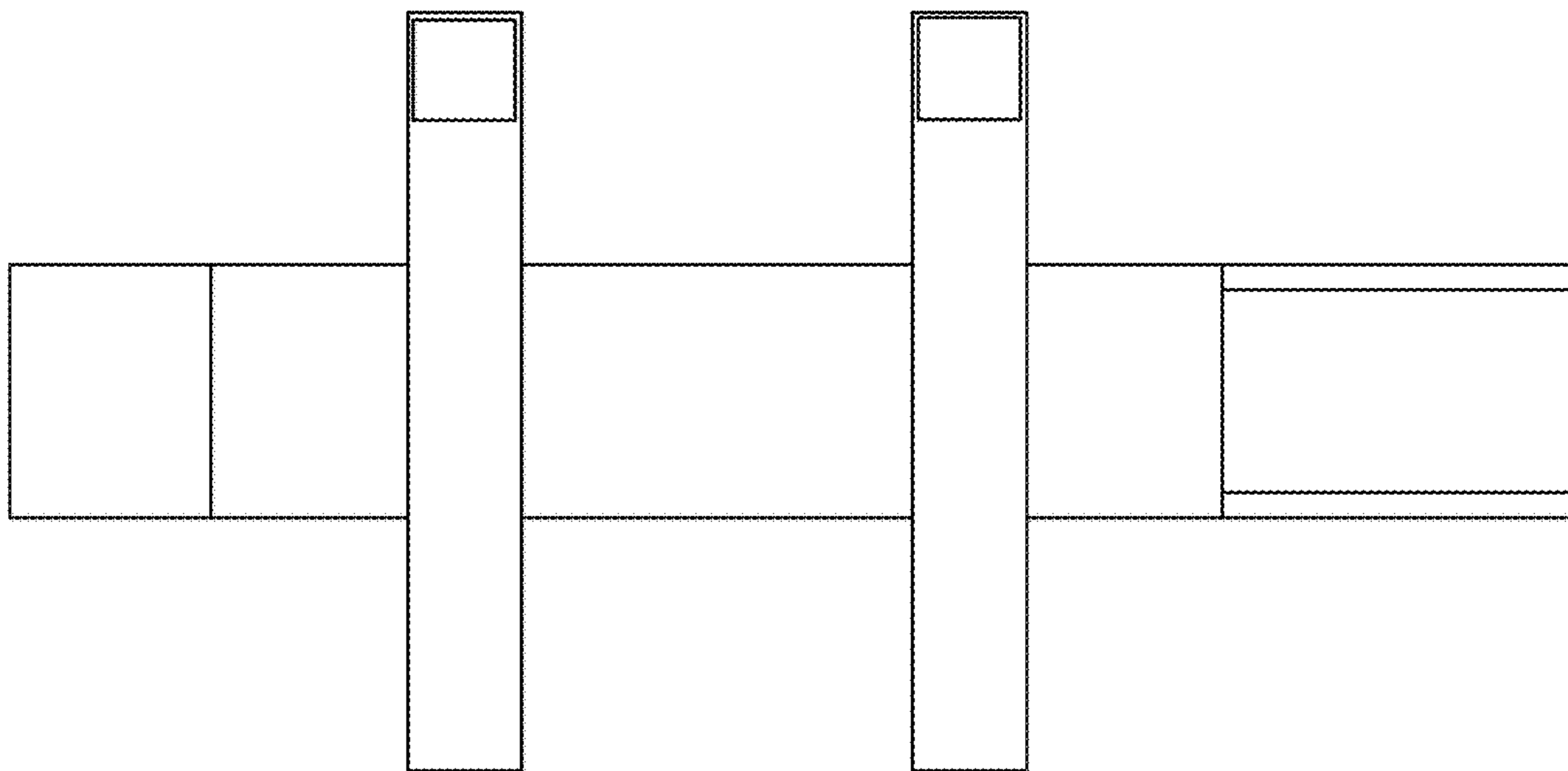


Fig. 3

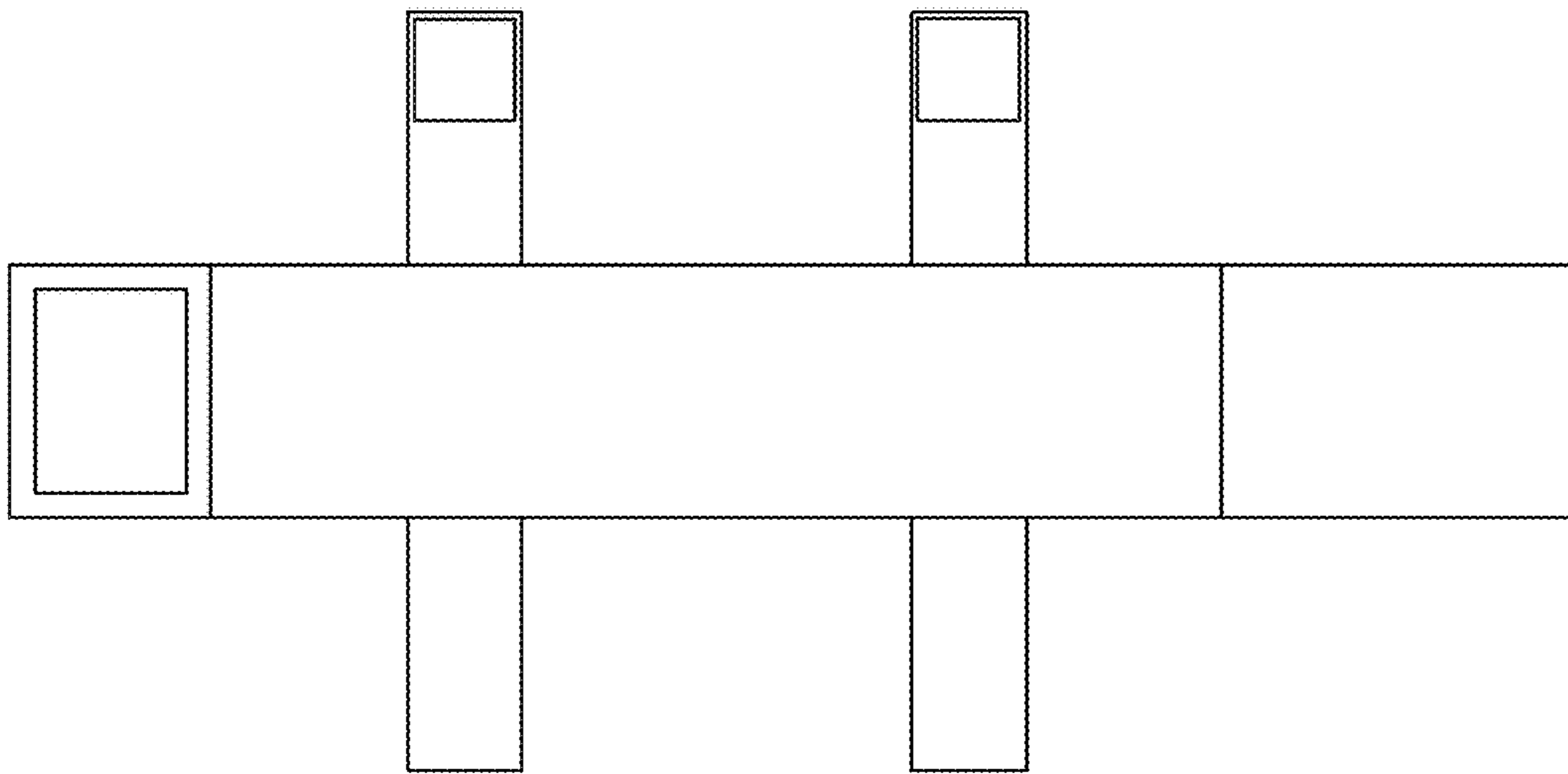


Fig. 4



Fig. 5



Fig. 6



Fig. 7



Fig. 8

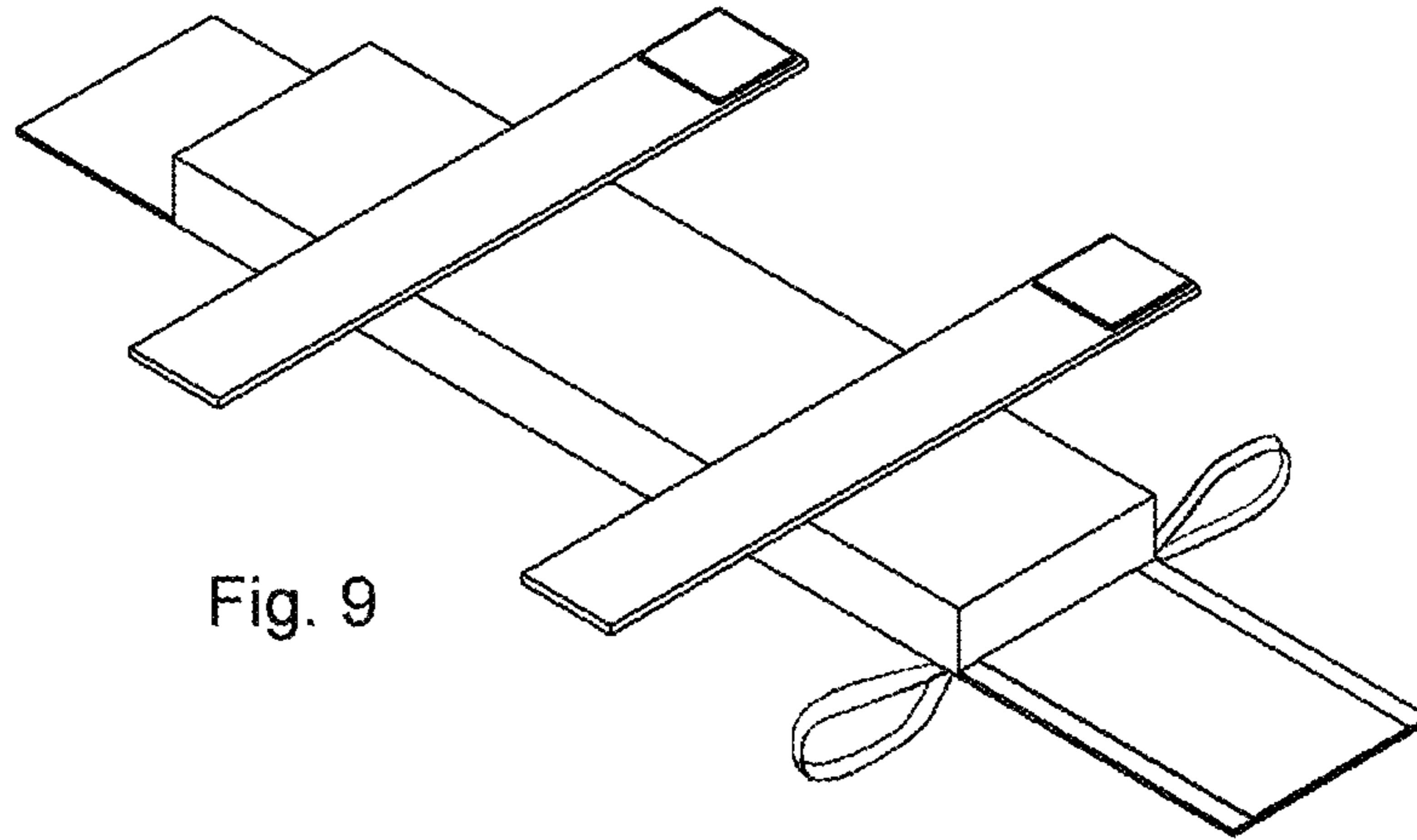


Fig. 9

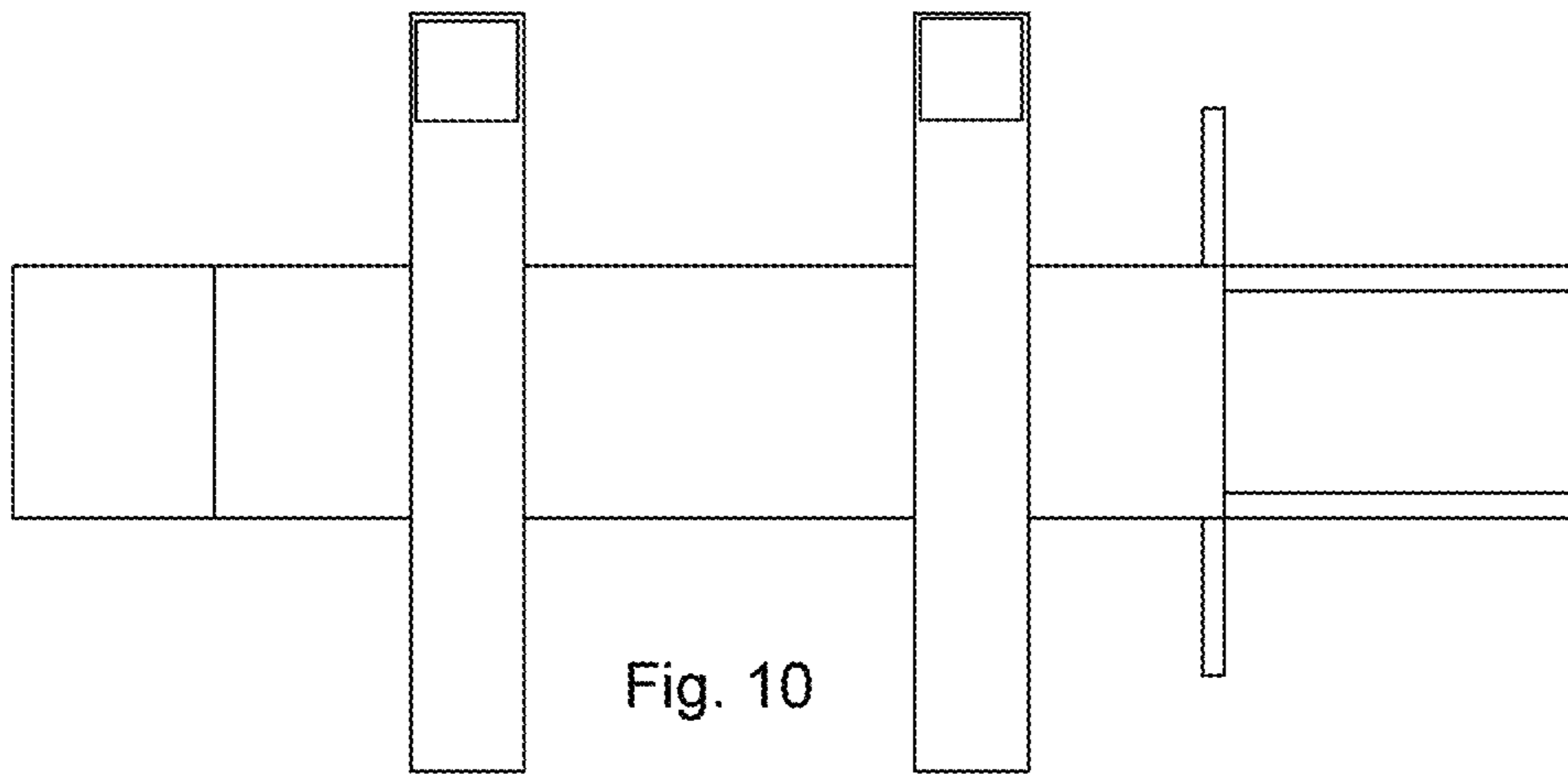


Fig. 10

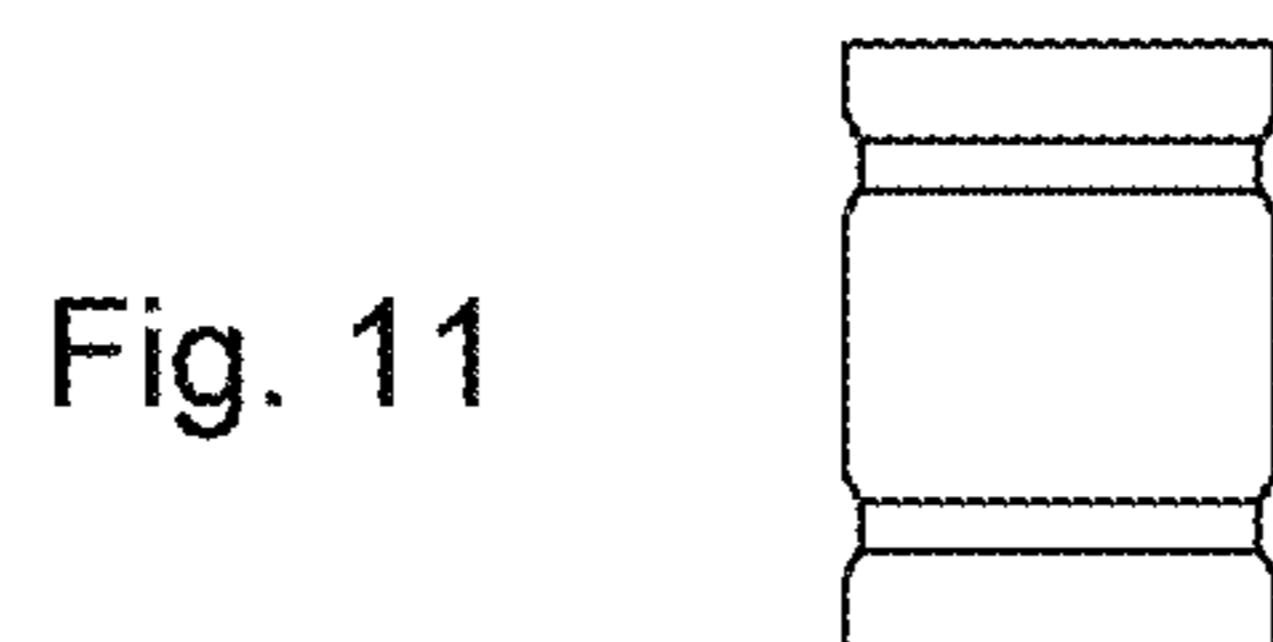


Fig. 11

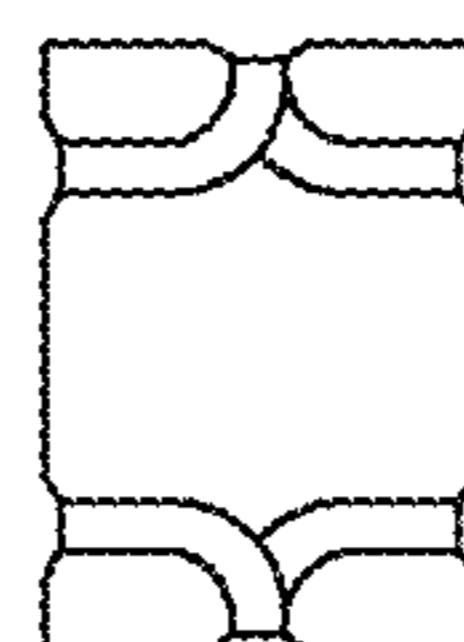


Fig. 12