



US00D852546S

(12) **United States Design Patent** (10) **Patent No.:** **US D852,546 S**  
**Flynn** (45) **Date of Patent:** **\*\* Jul. 2, 2019**

(54) **FURNITURE DAMAGE COVERING DEVICE**

A47C 19/205; A47C 21/00; A47C 21/022; A47C 21/026; A47C 21/028; A47C 21/042;

(71) Applicant: **Johanna Theodora Jean Paulson Flynn**, Mesa, AZ (US)

(Continued)

(72) Inventor: **Johanna Theodora Jean Paulson Flynn**, Mesa, AZ (US)

(56) **References Cited**

U.S. PATENT DOCUMENTS

(\*\*) Term: **15 Years**

4,285,338 A 8/1981 Lemelson  
4,334,530 A 6/1982 Hassell

(21) Appl. No.: **29/639,723**

(Continued)

(22) Filed: **Mar. 8, 2018**

OTHER PUBLICATIONS

“Ouch Heart Sweetheart Bandages by NPW” Jul. 23, 2012 amazon.com site visited Dec. 21, 2016.

(Continued)

**Related U.S. Application Data**

(60) Division of application No. 29/583,714, filed on Nov. 8, 2016, now Pat. No. Des. 814,828, which is a (Continued)

(51) **LOC (11) Cl.** ..... **06-13**

(52) **U.S. Cl.**

USPC ..... **D6/610**

(58) **Field of Classification Search**

USPC ..... D6/334-336, 349, 351, 352, 358, 360, D6/364, 365, 366, 374, 375, 379, 380, D6/611, 657, 662.1, 672, 674, 675, 675.1, D6/675.3, 683, 683.1, 685, 691, 691.5, D6/702, 708, 708.2, 708.21, 708.25, 716, D6/716.1-716.4; D3/304, 307, 309

CPC ..... A47C 1/143; A47C 31/00; A47C 31/11; A47C 31/08; A47C 31/10; A47C 31/105; A47C 31/113; A47C 31/116; A47C 4/28; A47C 4/283; A47C 4/286; A47C 4/30; A47C 4/32; A47C 4/34; A47C 4/36; A47C 4/38; A47C 4/40; A47C 4/42; A47C 4/44; A47C 4/46; A47C 4/48; A47C 4/50; A47C 4/54; A47C 5/00; A47C 5/005; A47C 5/02; A47C 7/02; A47C 7/36; A47C 7/50; A47C 7/54; A47C 7/62; A47C 7/66; A47C 17/00; A47C 17/045; A47C 17/22; A47C 17/86;

*Primary Examiner* — Kevin K Rudzinski  
*Assistant Examiner* — Paul D Bohannon  
(74) *Attorney, Agent, or Firm* — Volk & McElroy, LLP; Michael D. Volk, Jr.

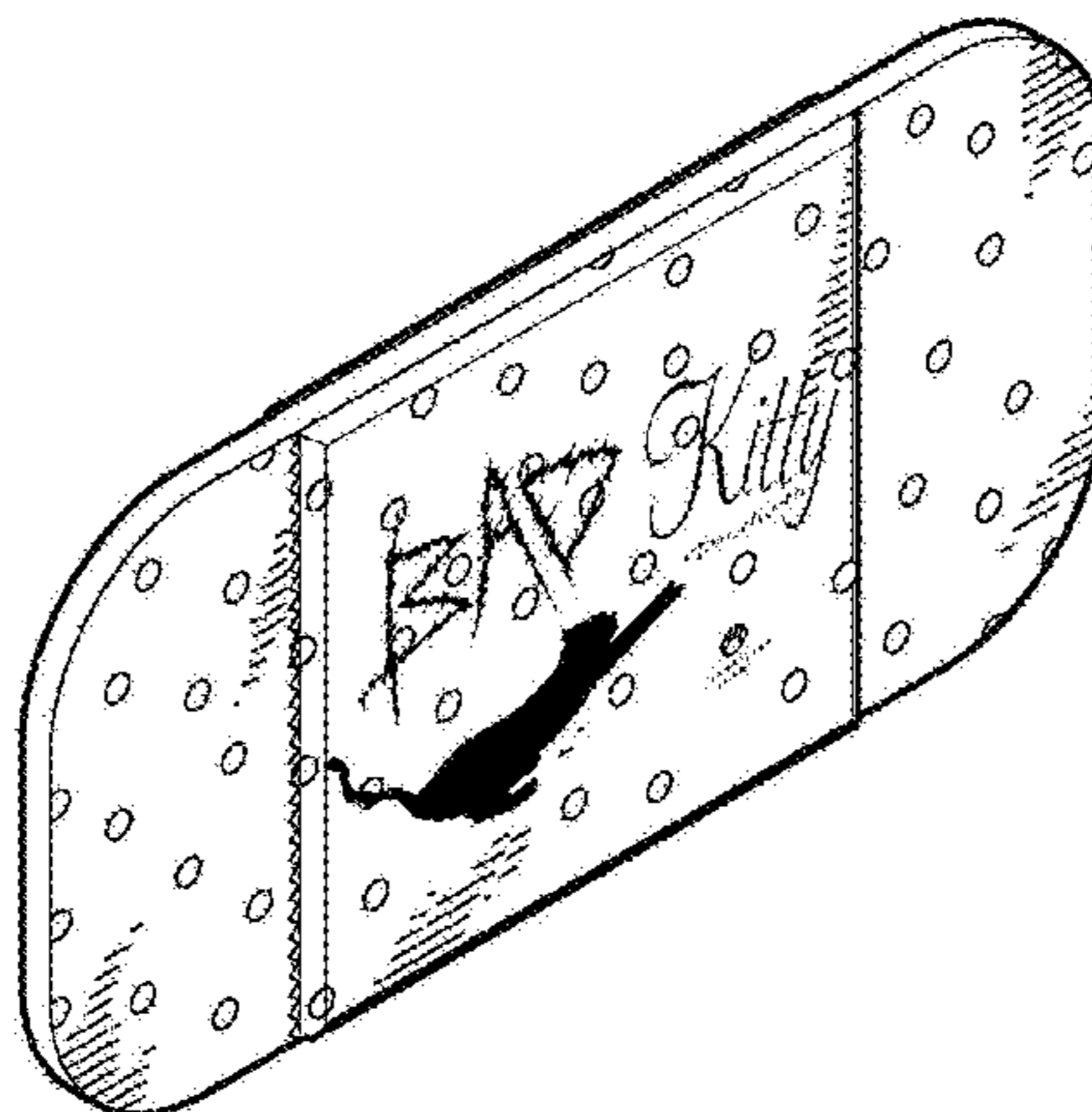
(57) **CLAIM**

The ornamental design for a furniture damage covering device, as shown and described.

**DESCRIPTION**

FIG. 1 is a perspective view of a furniture damage covering device showing my new design.  
FIG. 2 is a front view thereof.  
FIG. 3 is a back view thereof.  
FIG. 4 is a right side view thereof, the left side view is the same.  
FIG. 5 is a top view thereof.  
FIG. 6 is a bottom view thereof.  
FIG. 7 is a view showing the furniture damage covering device of FIG. 1 installed on a piece of furniture; and,  
FIG. 8 is another view showing the furniture damage covering device of FIG. 1 installed in an alternate location on a piece of furniture.

(Continued)



The broken lines in the drawings depict environmental features that form no part of the claimed design.

**1 Claim, 6 Drawing Sheets**

**Related U.S. Application Data**

continuation-in-part of application No. 29/547,738, filed on Dec. 7, 2015, now Pat. No. Des. 787,864.

(58) **Field of Classification Search**

CPC .. A47C 27/001; A47C 27/002; A47C 27/003; A47C 27/005; A47C 27/006; A47C 27/00; B60N 2/60; B60N 2/2881; B60N 2/6018; B60N 2/6036

See application file for complete search history.

(56) **References Cited**

U.S. PATENT DOCUMENTS

4,826,497	A	5/1989	Marcus et al.	
4,876,135	A	10/1989	McIntosh	
5,024,262	A	6/1991	Huang	
D336,033	S	6/1993	Welsh	
5,244,710	A	9/1993	Bricher et al.	
5,543,213	A	8/1996	Duvenkamp	
5,592,901	A	1/1997	Birmingham	
D387,512	S	12/1997	Bergman et al.	
D389,244	S *	1/1998	Dunshee	D24/189
5,744,209	A	4/1998	Parkes	
D394,507	S *	5/1998	Prescott	D24/189
D404,136	S *	1/1999	Dunshee	D24/189
6,360,692	B2	3/2002	Gear	
6,367,423	B1	4/2002	Scheuer	
6,408,461	B2	6/2002	Zheng	
6,455,752	B1 *	9/2002	Vesey	A61F 13/0206 206/440
6,478,038	B1	11/2002	Gette et al.	
D477,087	S *	7/2003	Bullock	D24/189

6,787,679	B1	9/2004	Cantor	
D555,299	S	11/2007	Tsengas	
D563,059	S	2/2008	Lamstein et al.	
D585,607	S	1/2009	Rosenblatt	
D644,797	S	9/2011	Haaf	
8,117,994	B1	2/2012	Goodlow	
D663,491	S	7/2012	Haaf et al.	
D663,493	S	7/2012	Haaf et al.	
D688,837	S	8/2013	Paculdo et al.	
D713,607	S	9/2014	Drew	
9,000,251	B2 *	4/2015	Murphy	A61F 13/023 602/41
D766,018	S *	9/2016	Coward	D6/608
9,510,563	B2 *	12/2016	Haaf	A01K 13/004
D787,863	S	5/2017	Feeken et al.	
D787,864	S	5/2017	Flynn	
9,642,740	B2 *	5/2017	Bruder	A61F 13/00021
D807,669	S	1/2018	Flynn	
D814,828	S *	4/2018	Flynn	D6/611
2002/0189549	A1	12/2002	Writer et al.	
2007/0232979	A1	10/2007	Montgomery	
2012/0029405	A1	2/2012	Cataldi et al.	
2012/0165716	A1	6/2012	Reuben	
2012/0204808	A1	8/2012	Shenefelt et al.	
2012/0312242	A1	12/2012	Hillman	
2012/0320553	A1	12/2012	Yang et al.	
2013/0333629	A1 *	12/2013	Paculdo	A01K 15/024 119/706
2014/0101848	A1 *	4/2014	Murphy	A47G 9/08 5/420
2015/0173465	A1	6/2015	Messner et al.	
2016/0106593	A1	4/2016	Chandaria	
2016/0338504	A1	11/2016	Bellini	

OTHER PUBLICATIONS

iphone 6S Plus Polka Dots Case iphone 6 Plus Cartoon CaseMODEFAN Cute Red Polka Dots Hello Kitty Style Rubber Silicone Soft Gel Skin Case Cover for Apple Iphone 6 Plus 6S Plus 5.5 Inch" May 2, 2016 amazon.com site visited Dec. 21, 2016.

\* cited by examiner

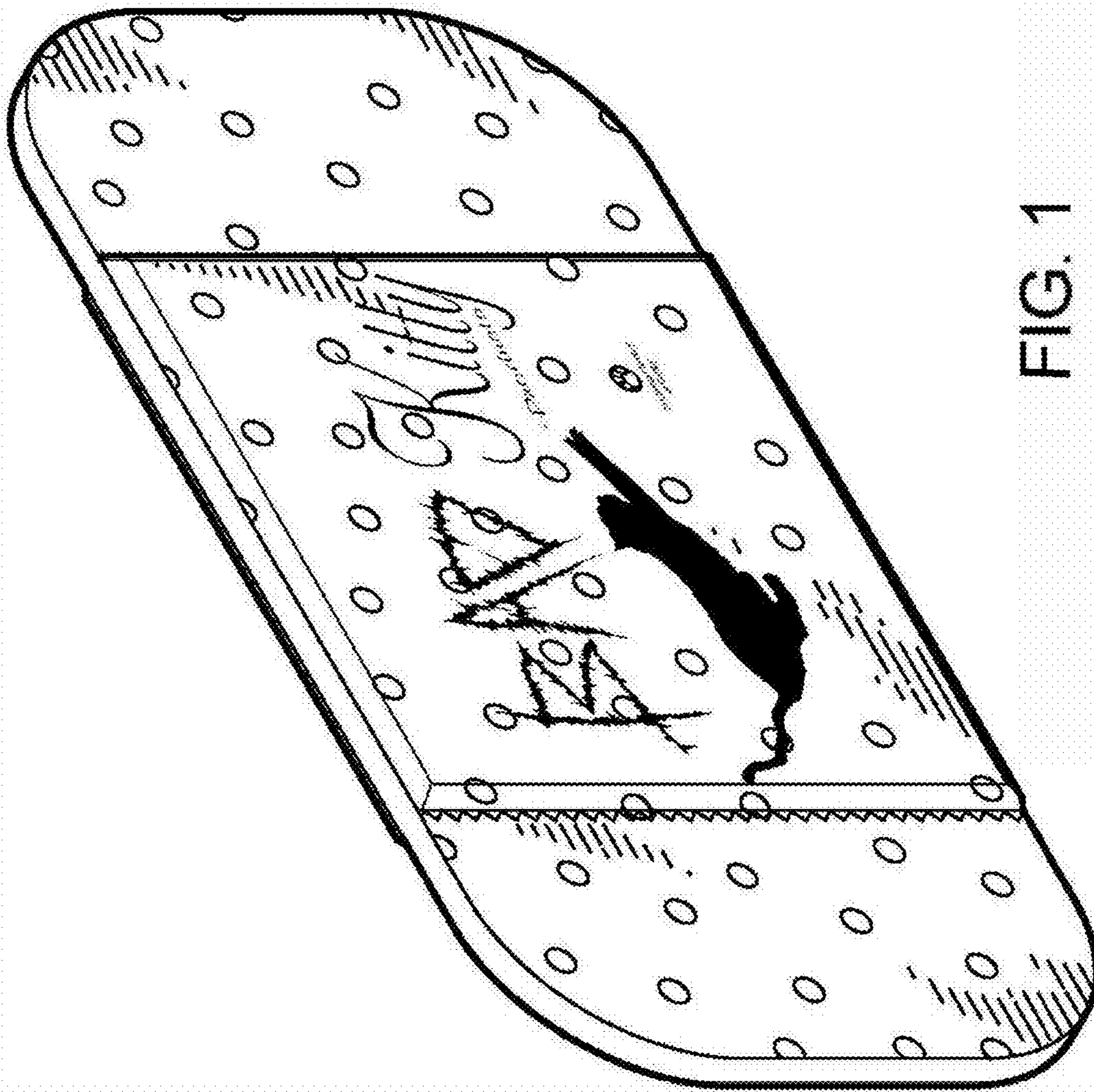


FIG. 1

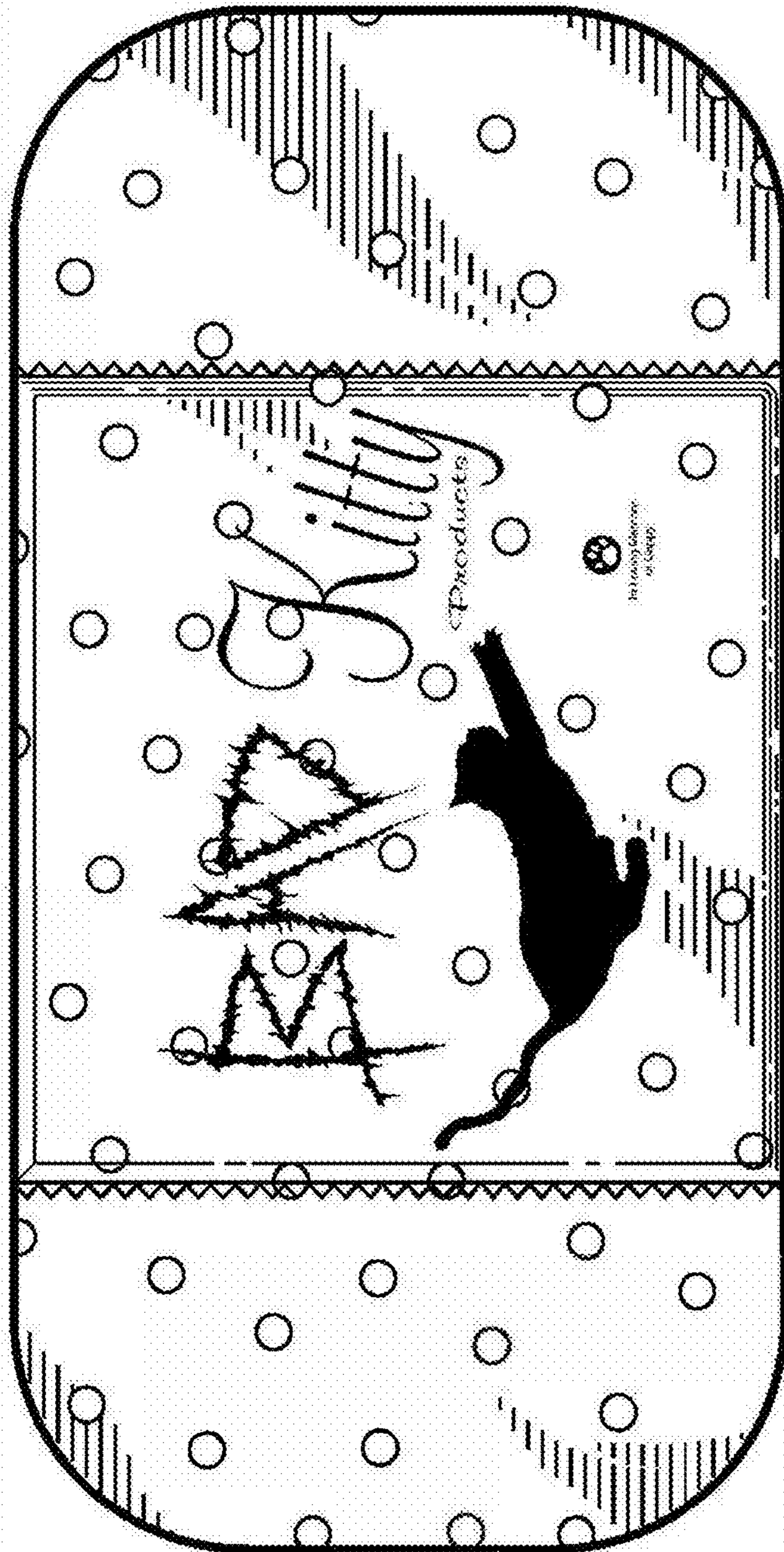


FIG. 2

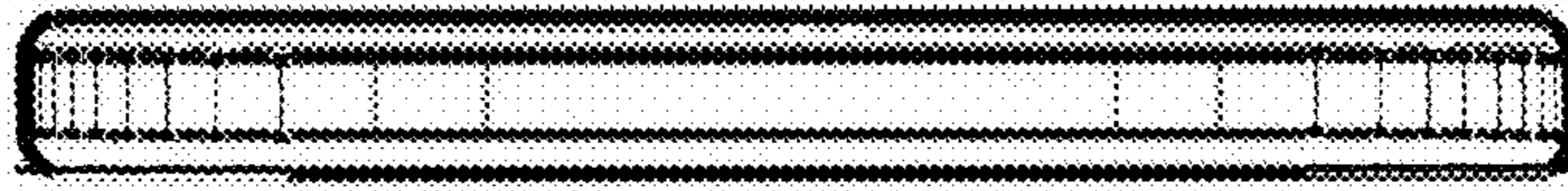


FIG. 4

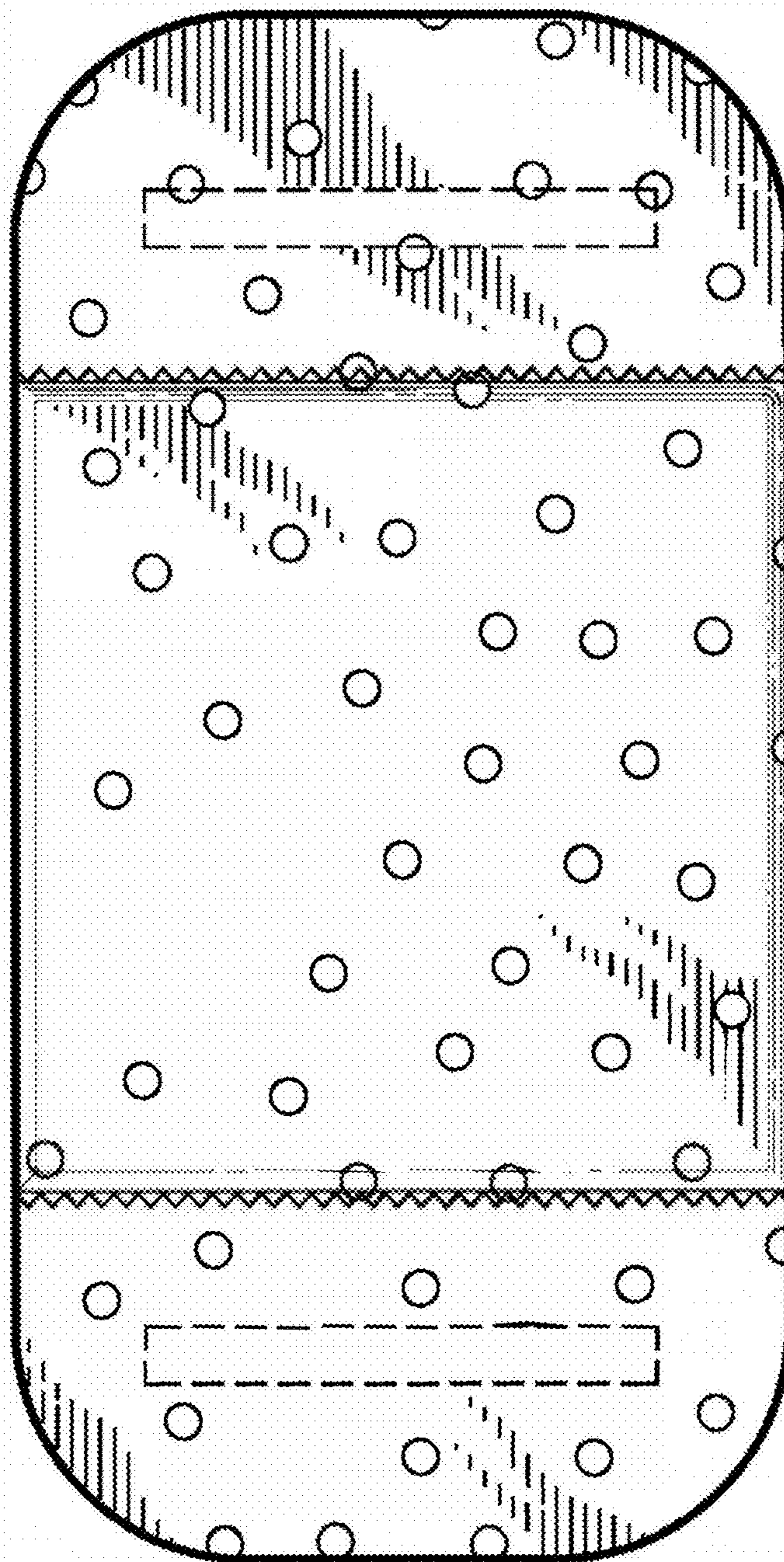


FIG. 3

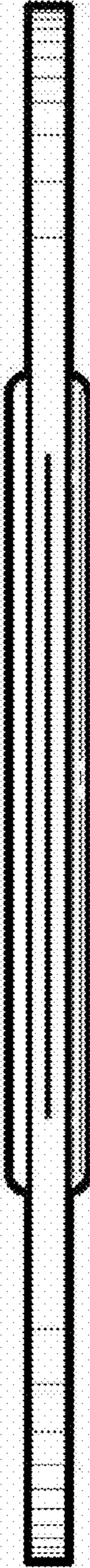


FIG. 5

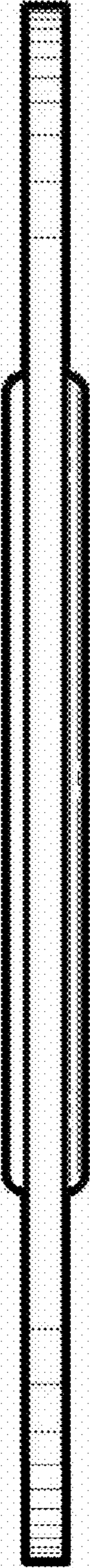


FIG. 6

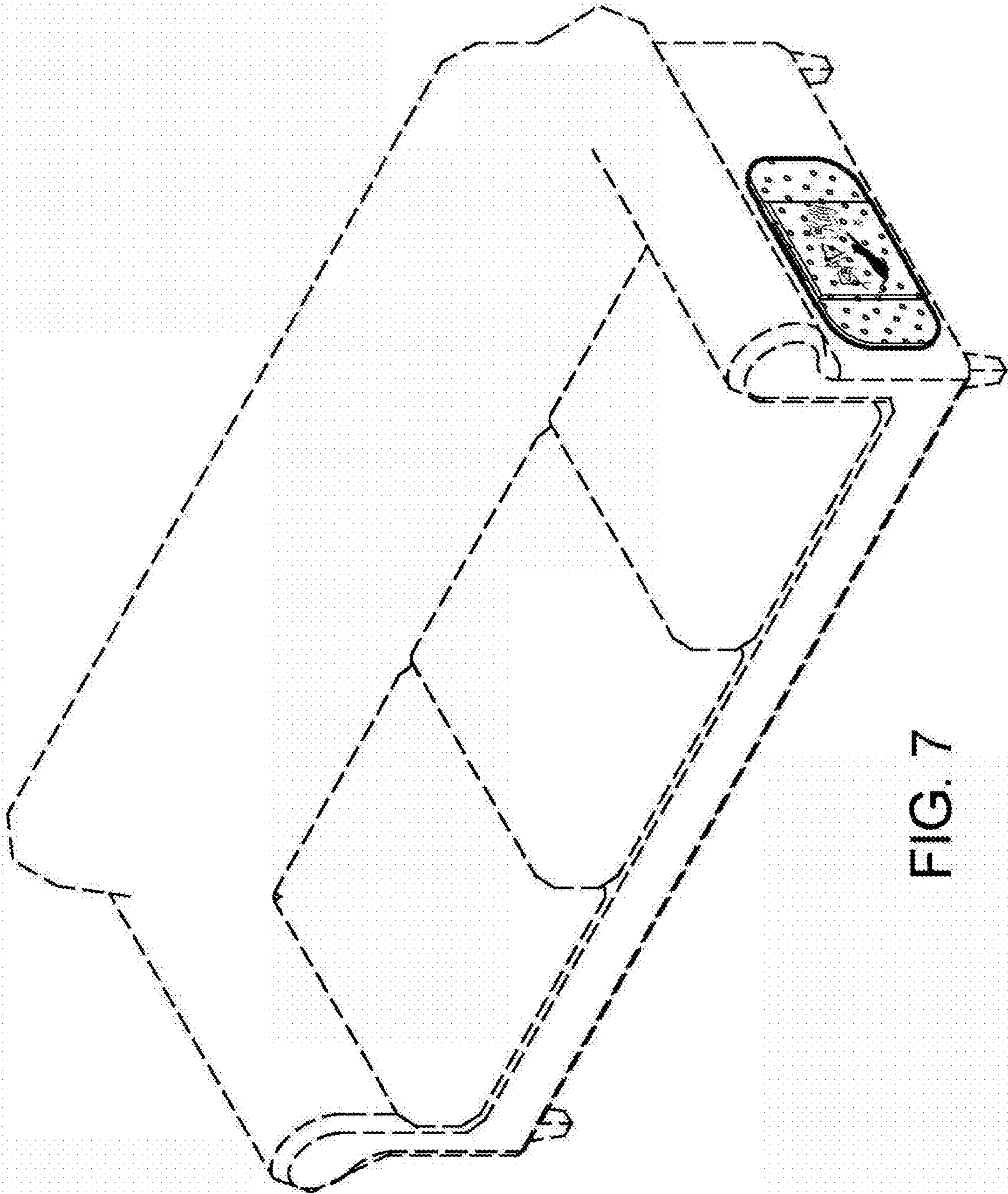


FIG. 7

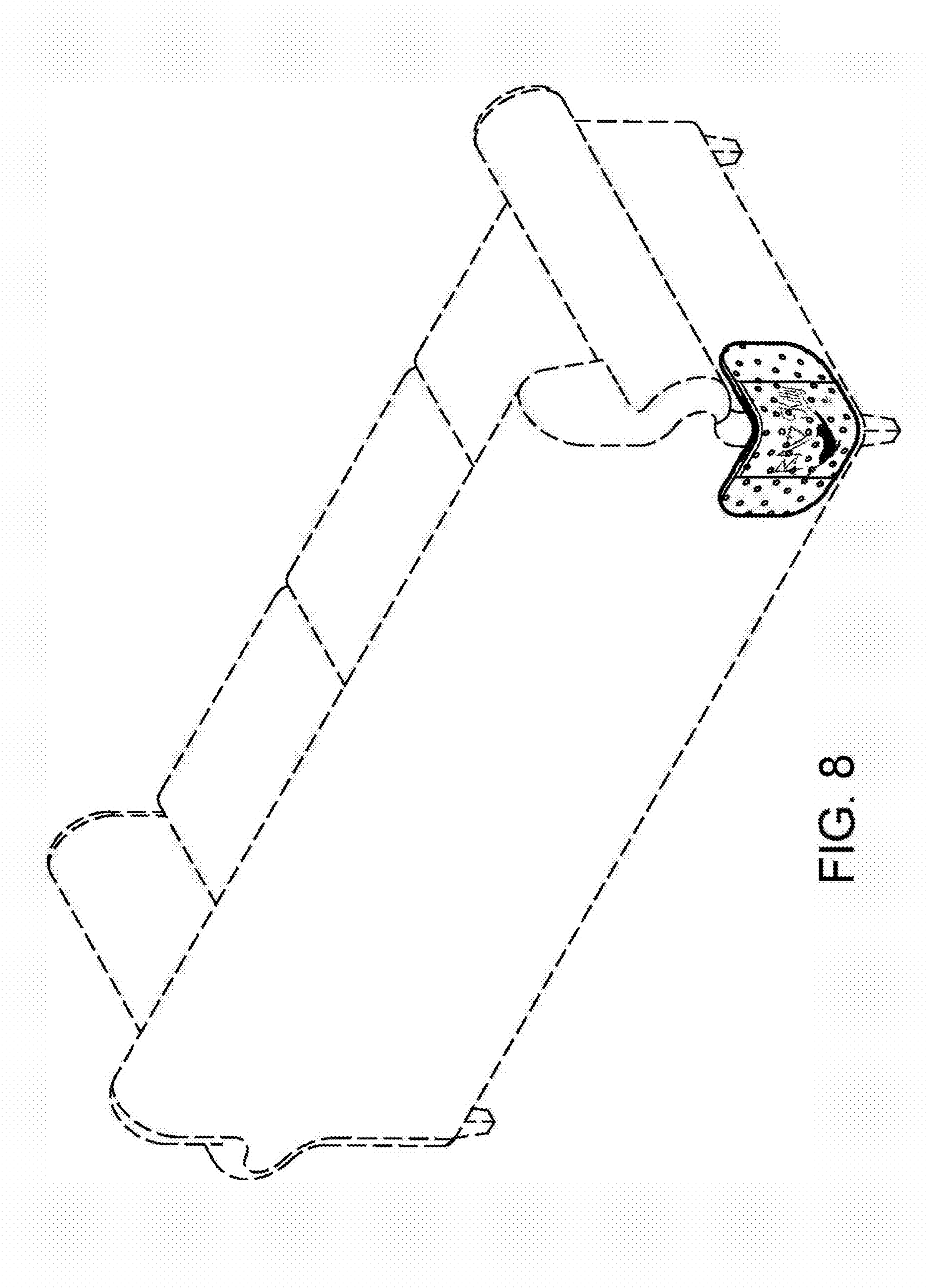


FIG. 8