



US00D852542S

(12) **United States Design Patent**
Sellmeyer

(10) **Patent No.:** **US D852,542 S**
(45) **Date of Patent:** **** Jul. 2, 2019**

- (54) **INFLATABLE PILLOW**
- (71) Applicant: **Kurt S Sellmeyer**, St. Louis, MO (US)
- (72) Inventor: **Kurt S Sellmeyer**, St. Louis, MO (US)
- (73) Assignee: **The Pillow Plus, Inc**, St. Louis, MO (US)
- (**) Term: **15 Years**
- (21) Appl. No.: **29/620,021**
- (22) Filed: **May 24, 2016**

Related U.S. Application Data

- (63) Continuation of application No. 14/545,341, filed on Apr. 24, 2015, now Pat. No. 9,526,361.

- (51) **LOC (11) Cl.** **06-13**
- (52) **U.S. Cl.**
USPC **D6/604**

- (58) **Field of Classification Search**
USPC D6/333, 349, 355, 375, 388, 512, 563, D6/564, 595, 596, 601, 604, 611, 707, D6/715, 716, 716.1; D24/183-185, 234; D21/803, 804, 805, 809; 5/401, 420, 5/600, 630, 631, 632, 633, 635, 636, 638, 5/639, 646, 652, 652.1, 655, 703, 730; 297/401, 420, 600, 630, 631, 632, 633, 297/635, 636, 638, 639, 646, 652, 652.1, 297/655, 703, 730
CPC .. A47G 9/1018; A47G 9/1009; A47G 9/1027; A47G 9/1045; A47G 9/1063; A47G 9/1072; A47G 9/1081
See application file for complete search history.

- (56) **References Cited**
U.S. PATENT DOCUMENTS
D329,957 S * 10/1992 Hartnett 5/653
D340,814 S * 11/1993 Grant D6/368

D369,683 S *	5/1996	Fedorka	D6/333
D379,047 S *	5/1997	Richard	D6/368
D383,930 S *	9/1997	Perry	D6/601
D449,194 S *	10/2001	Sheppard, Jr.	D6/608
D464,391 S *	10/2002	Wilbanks	D21/804
D486,876 S *	2/2004	Wilbanks	D21/809
D492,875 S *	7/2004	Su	D6/601
D564,038 S *	3/2008	Johnson	D21/425
D578,219 S *	10/2008	Daggett	D24/183
D621,944 S *	8/2010	Astin	D24/200
D636,211 S *	4/2011	Kolander	D6/601
D637,433 S *	5/2011	Mould	D6/601
D639,570 S *	6/2011	Beers	D6/333
D639,597 S *	6/2011	Weaver	D6/596
D675,467 S *	2/2013	Gil Gomez	D6/606
D691,832 S *	10/2013	Gil Gomez	D6/606
D708,456 S *	7/2014	Gil Gomez	D6/606
D774,804 S *	12/2016	Beauliere	D6/604
D776,457 S *	1/2017	Palmer	D6/601
D799,857 S *	10/2017	Takagi	D6/596
2015/0314844 A1 *	11/2015	Sellmeyer	A47G 9/1045 441/125
2017/0113765 A1 *	4/2017	Sellmeyer	B63C 9/30

* cited by examiner

Primary Examiner — Michelle E. Wilson
Assistant Examiner — Sanjeev Paul
(74) *Attorney, Agent, or Firm* — Paul M Denk

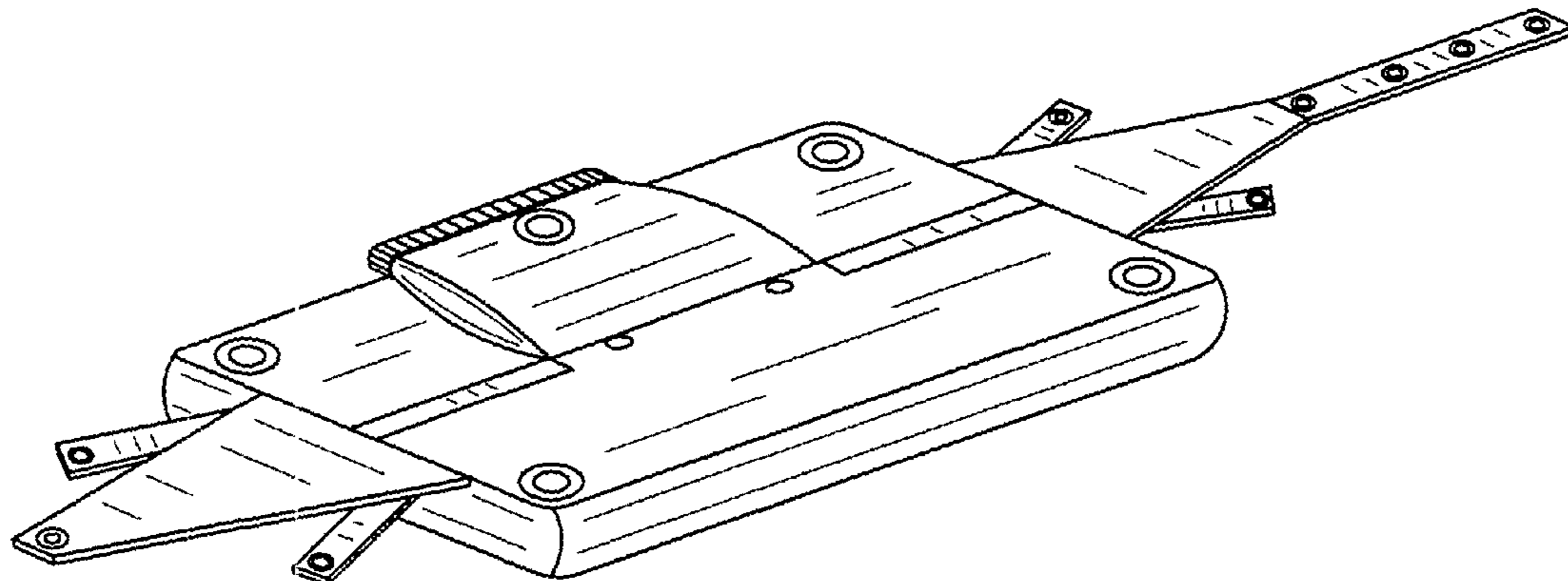
(57) **CLAIM**

The ornamental design for the inflatable pillow, as shown and described.

DESCRIPTION

FIG. 1 is an isometric view of the inflatable pillow;
FIG. 2 is a top plan view;
FIG. 3 is a bottom view;
FIG. 4 is a front edge view;
FIG. 5 is a back edge view;
FIG. 6 is a left end view; and,
FIG. 7 is a right end view of the invention.

1 Claim, 3 Drawing Sheets



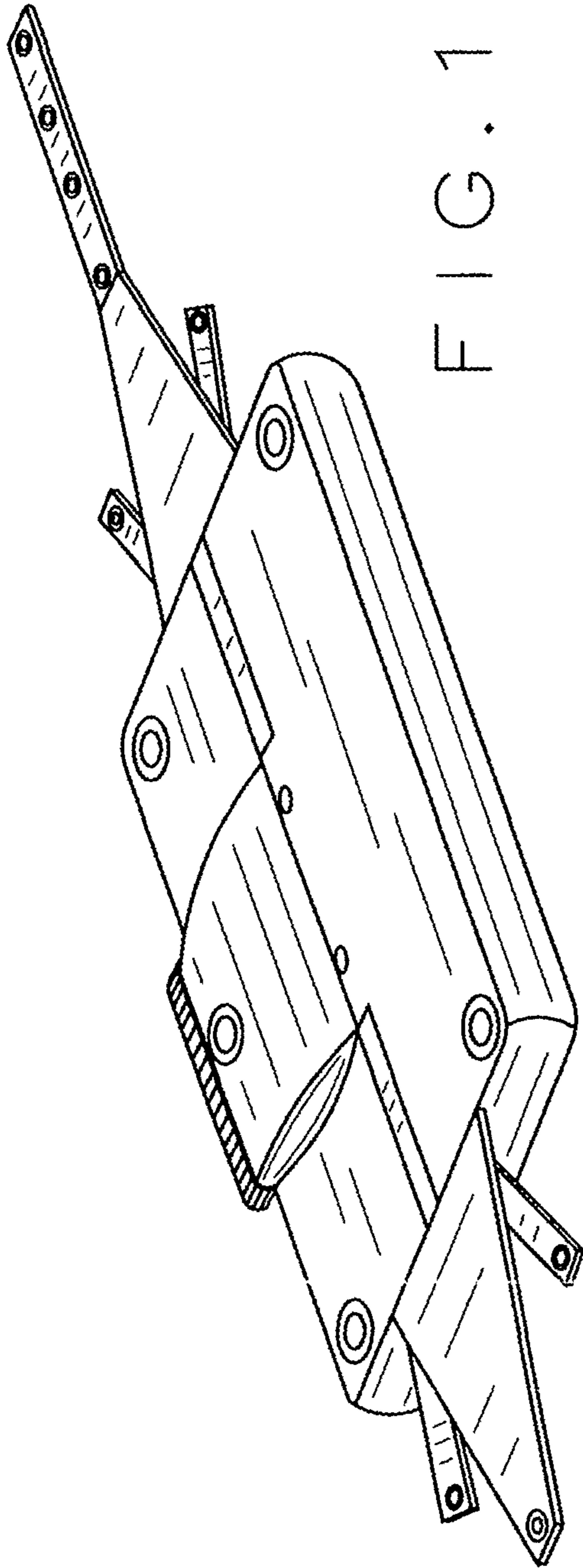


FIG. 1

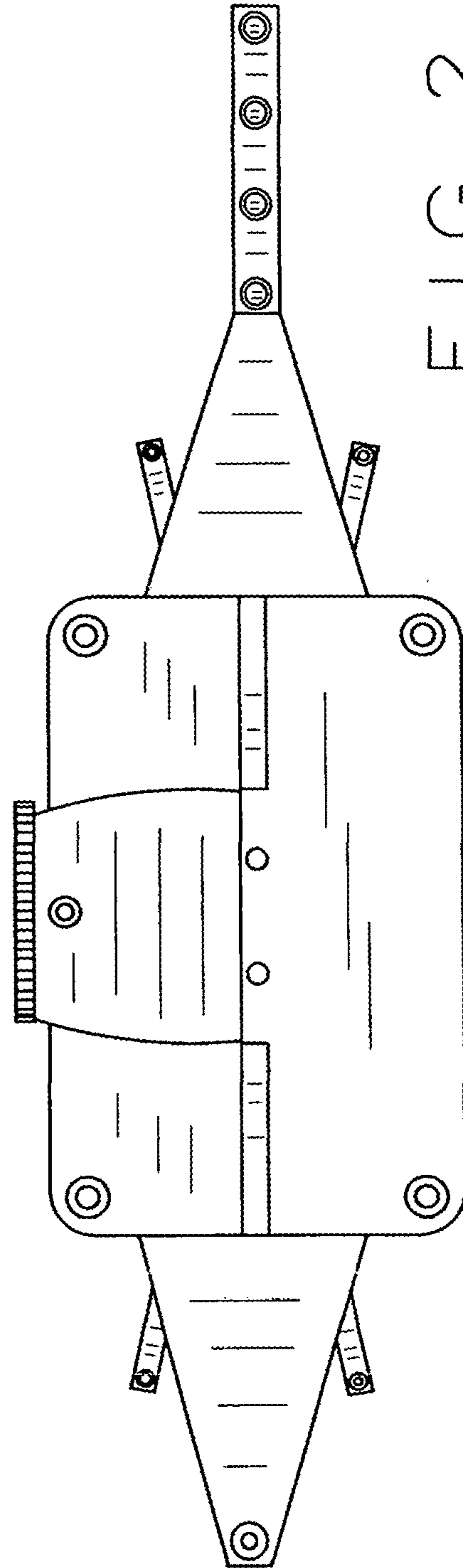


FIG. 2

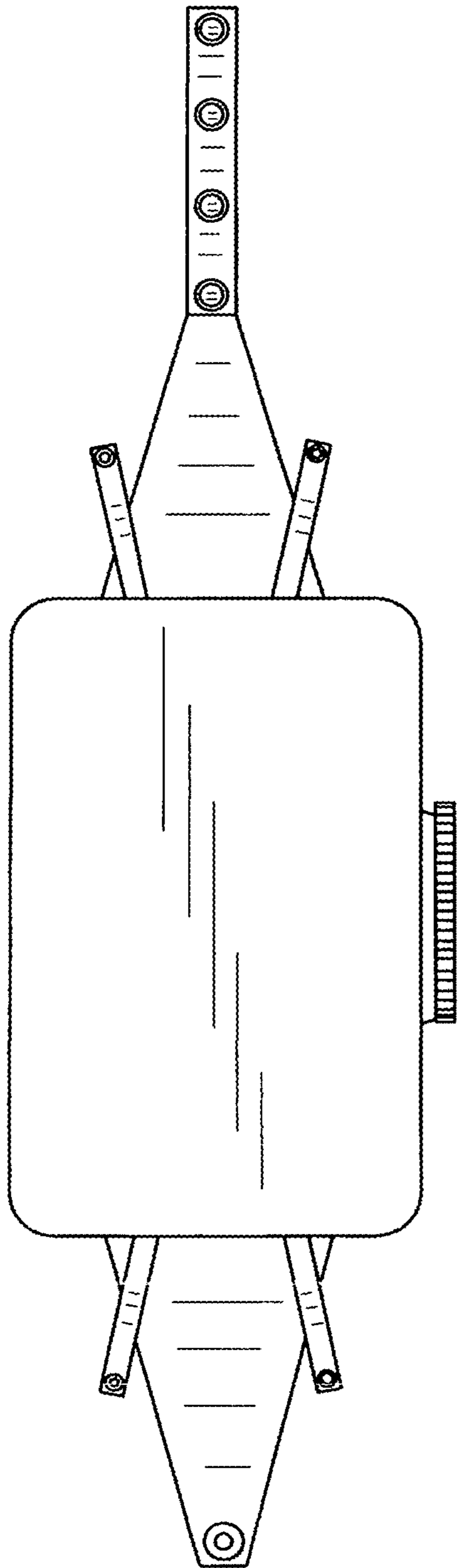


FIG. 3

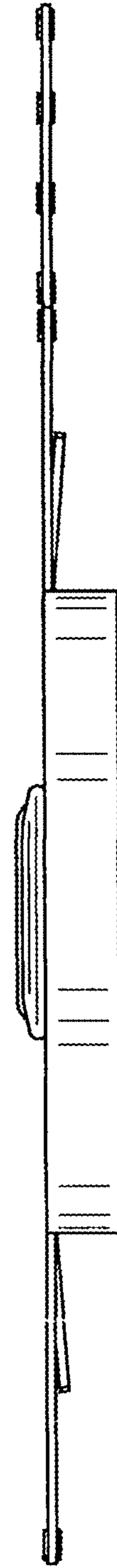


FIG. 4

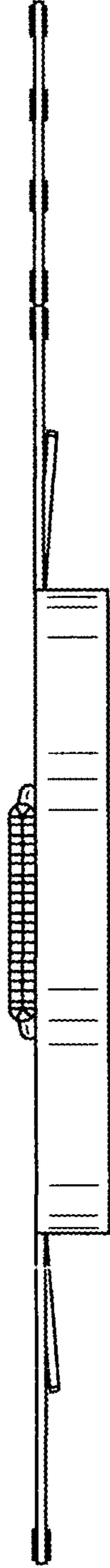


FIG. 5

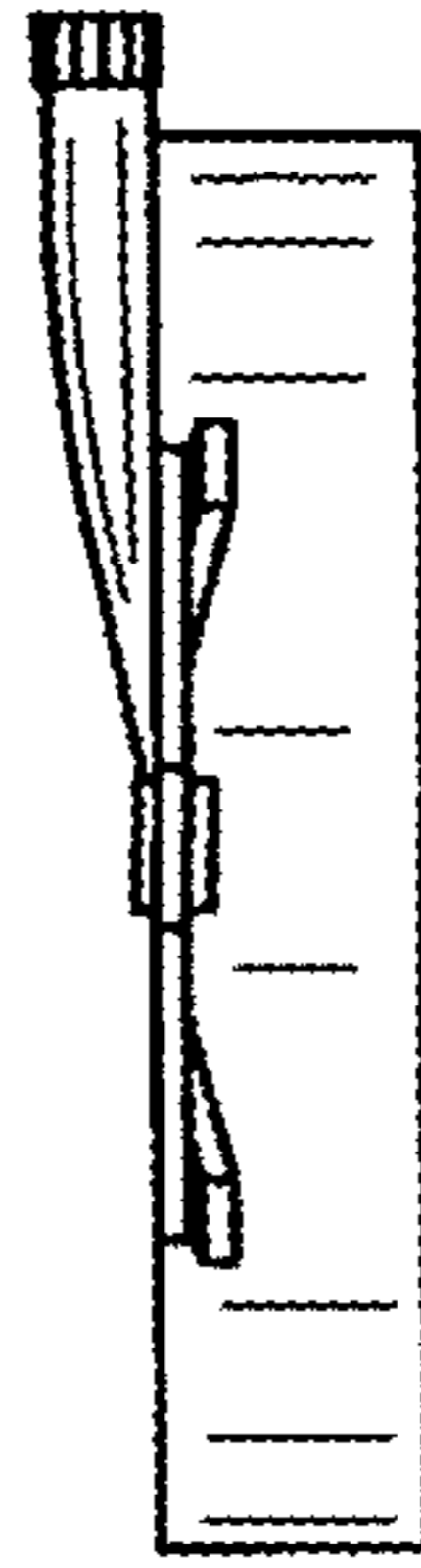


FIG. 7

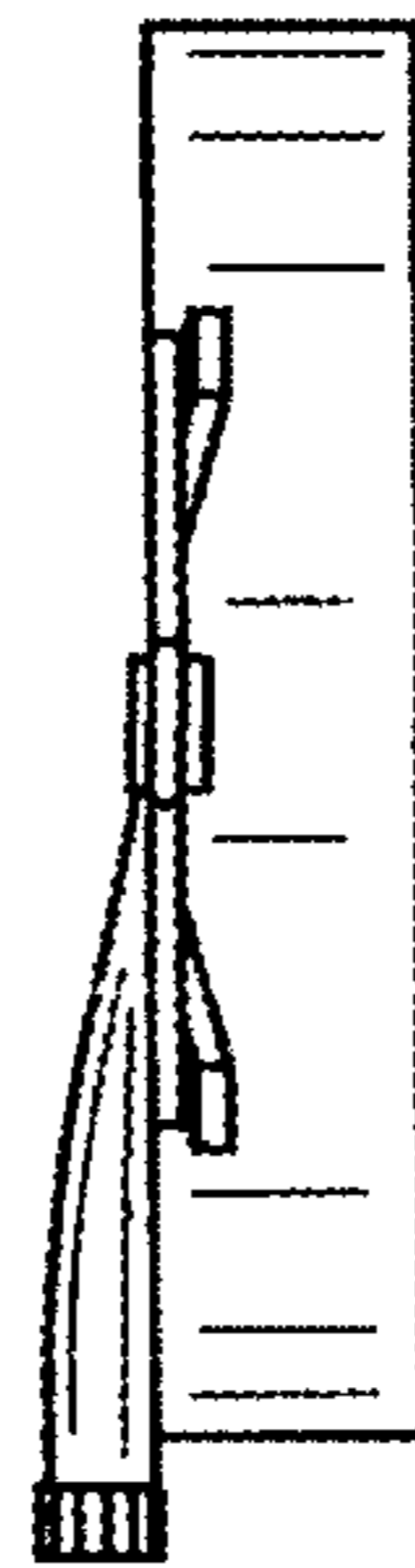


FIG. 6