



US00D852540S

(12) **United States Design Patent**
Burrell

(10) **Patent No.:** **US D852,540 S**

(45) **Date of Patent:** **** Jul. 2, 2019**

(54) **WINDOW TREATMENT**

(71) Applicant: **Mary Elizabeth Burrell**, Richmond,
VA (US)

(72) Inventor: **Mary Elizabeth Burrell**, Richmond,
VA (US)

(**) Term: **15 Years**

(21) Appl. No.: **29/561,138**

(22) Filed: **Apr. 13, 2016**

(51) **LOC (11) Cl.** **06-10**

(52) **U.S. Cl.**
USPC **D6/580**

(58) **Field of Classification Search**
USPC D6/575-581, 601; D8/354, 363, 373,
D8/376, 377, 380; D25/119, 121, 123,
D25/125, 55, 122

(Continued)

(56) **References Cited**

U.S. PATENT DOCUMENTS

D28,242 S * 2/1898 McLean D9/714
1,636,601 A * 7/1927 Givens E06B 9/44
160/108

(Continued)

OTHER PUBLICATIONS

“I Like The Way You Roll” DIY Father’s Day Gift . Jun. 17, 2014
<<http://paintedconfetti.com/i-like-way-you-roll-diy-fathers-day-gif/>
>. Accessed on Aug. 23, 2018.*

(Continued)

Primary Examiner — Kevin K Rudzinski

Assistant Examiner — Clare Ann Gannon

(74) *Attorney, Agent, or Firm* — Foley & Lardner LLP

(57) **CLAIM**

I claim the ornamental design for a window treatment, as shown and described.

DESCRIPTION

FIG. 1 is a perspective view of a window treatment, in accordance with an embodiment;

FIG. 2 is a front elevation view of the window treatment of FIG. 1;

FIG. 3 is a rear elevation view of the window treatment of FIG. 1;

FIG. 4 is a top plan view of the window treatment of FIG. 1;

FIG. 5 is a bottom plan view of the window treatment of FIG. 1;

FIG. 6 is a right side elevation view of the window treatment of FIG. 1;

FIG. 7 is a left side elevation view of the window treatment of FIG. 1;

FIG. 8 is a perspective view of a window treatment, in accordance with another embodiment;

FIG. 9 is a front elevation view of the window treatment of FIG. 8;

FIG. 10 is a rear elevation view of the window treatment of FIG. 8;

FIG. 11 is a top plan view of the window treatment of FIG. 8;

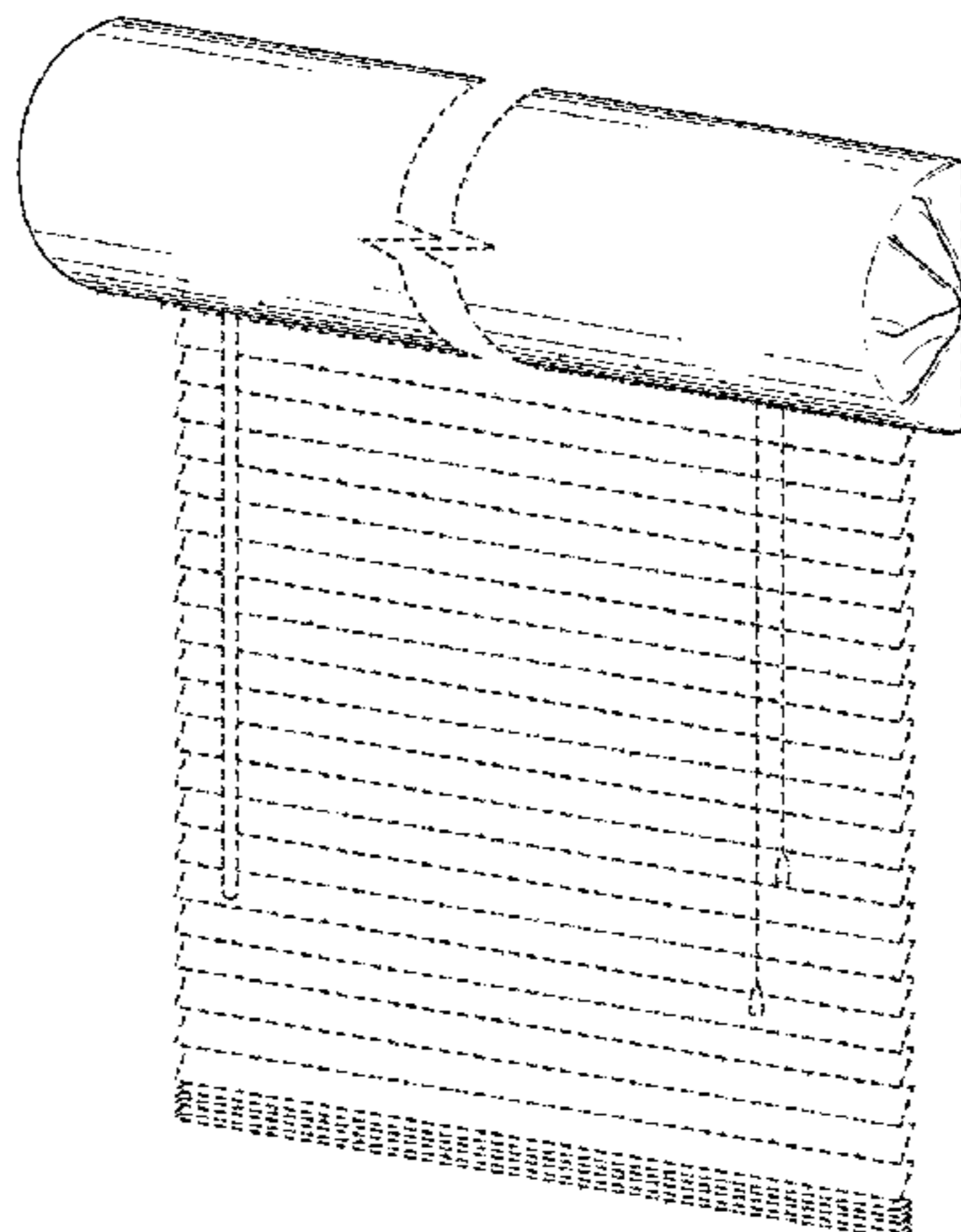
FIG. 12 is a bottom plan view of the window treatment of FIG. 8;

FIG. 13 is a right side elevation view of the window treatment of FIG. 8; and,

FIG. 14 is a left side elevation view of the window treatment of FIG. 8.

The ornamental design which is claimed is shown in solid lines in the drawings. The broken lines in the drawings are for illustrative purposes only, depict environmental subject matter, and form no part of the claimed design. The window treatment is shown with a symbolic break in length. The appearance of any portion of the article between the break lines forms no part of the claimed design.

1 Claim, 10 Drawing Sheets



(58) **Field of Classification Search**

CPC ... A47H 1/04; A47H 1/06; A47H 1/10; A47H 1/13; A47H 1/14; A47H 11/02; A47H 23/00; A47H 23/01; A47H 5/02; B60J 1/2038; B60J 1/2063; B60J 1/2013; E06B 2009/2622; E06B 2009/2627; E06B 2009/425; E06B 2009/583; E06B 9/26; E06B 9/262; E06B 9/266; E06B 9/30; E06B 9/306; E06B 9/32; E06B 9/323; E06B 9/324; E06B 9/326; E06B 9/367; E06B 9/386; E06B 9/388; E06B 9/40; E06B 9/42; E06B 9/44; E06B 9/46; E06B 9/48; E06B 9/56; E06B 9/78; E06B 9/58

See application file for complete search history.

(56) **References Cited**

U.S. PATENT DOCUMENTS

1,731,124 A * 10/1929 Carper A47H 21/00
160/108
2,013,481 A * 9/1935 Stonehill A47C 7/383
297/230.13
D130,813 S * 12/1941 Carter 362/217.1
2,364,943 A * 12/1944 Brandt B65D 31/00
220/495.05
D241,819 S * 10/1976 Flecken D9/609
4,692,847 A * 9/1987 Gandy E04F 10/00
160/22
4,721,397 A * 1/1988 Knutar B65D 88/1618
383/109
4,739,880 A * 4/1988 Sawyer D06F 95/004
206/223
4,761,872 A * 8/1988 Buettner A47G 9/10
29/235
4,951,730 A * 8/1990 Hsu E06B 9/70
160/23.1
D343,756 S * 2/1994 Sher 5/655
D345,098 S * 3/1994 Ohanesian D6/579
D355,094 S * 2/1995 Josephson D6/577
5,499,418 A * 3/1996 Tan A47D 13/08
5/655
D380,330 S * 7/1997 Chou D6/579
D388,179 S * 12/1997 Toovey D25/55
D389,642 S * 1/1998 Nadel D3/254
5,732,426 A * 3/1998 Furuya A47G 9/007
5/636
5,785,388 A * 7/1998 Curtis A47C 7/383
297/482
D412,635 S * 8/1999 Eiling D6/575
D418,353 S * 1/2000 Cadorette D25/119
D430,627 S * 9/2000 Bergman D21/662
D431,905 S * 10/2000 McCormack D3/273

D508,538 S * 8/2005 Furr D20/10
D528,707 S * 9/2006 Deioma D30/118
D592,438 S * 5/2009 Schottin D6/601
D598,230 S * 8/2009 Huffman D6/601
D606,793 S * 12/2009 Allsopp D6/580
D607,344 S * 1/2010 Ewing D6/315
D607,681 S * 1/2010 Hughes A47C 7/383
D6/601
D619,021 S * 7/2010 Yamada D9/643
D655,964 S * 3/2012 Dror A47D 13/08
D6/601
D670,122 S * 11/2012 Childress D6/601
8,347,429 B1 * 1/2013 Hawkins A47C 21/08
5/424
D680,357 S * 4/2013 Wills D6/580
D691,828 S * 10/2013 Rosenberg B65D 88/1618
D6/601
D718,062 S * 11/2014 Hirata D6/300
9,038,220 B2 * 5/2015 Aas-Jakobsen A47G 9/1045
5/632
9,101,235 B2 * 8/2015 Yu A47G 9/1081
D753,935 S * 4/2016 Driffield D6/606
D764,947 S * 8/2016 Kovens D9/714
D783,471 S * 4/2017 Kalkstein D12/168
D806,440 S * 1/2018 Pulver B65D 31/00
D6/601
D810,583 S * 2/2018 Domazakis A22C 13/0013
D9/714
2008/0245917 A1 * 10/2008 Pon E06B 9/42
242/385.1
2016/0237743 A1 * 8/2016 Holt E06B 9/262

OTHER PUBLICATIONS

“DIY Strip Fabric from a Couch and Reupholster it.” do it yourself divas. Apr. 9, 2013. <<http://www.doityourselfdivas.com/2013/04/reupholster-couch.html>>. Accessed on Aug. 23, 2018.*
“No-sew bolster pillow tutorial” Imparting Grace. Nov. 24, 2011 <<http://www.impartinggrace.com/2011/11/no-sew-bolster-pillow-tutorial.html>>. Accessed on Aug. 23, 2018.*
Google Image search “Salon hand pillow.” <<http://www.google.com/>>. Accessed on Aug. 23, 2018.*
“Sewing Tutorial: Make a Bolster Pillow using Dritz Cover Buttons” May 13, 2016. <<http://makesomething.dritz.com/sewing-projects/sewing-tutorial-bolster-pillow/>>. Accessed on Aug. 23, 2018.*
English, Carleton. “Trouble may be ahead for Tootsie Roll Industries” NY Post. Oct. 17, 2017 <<https://nypost.com/2017/10/17/trouble-may-be-ahead-for-tootsie-roll-industries/>>. Accessed on Aug. 23, 2018.*
“How to Reupholster a Tufted Couch”. While They Snooze. Jun. 8, 2015 <<http://whiletheysnooze.blogspot.com/2015/06/how-to-reupholster-tufted-couch.html>>. Accessed on Aug. 23, 2018.*

* cited by examiner

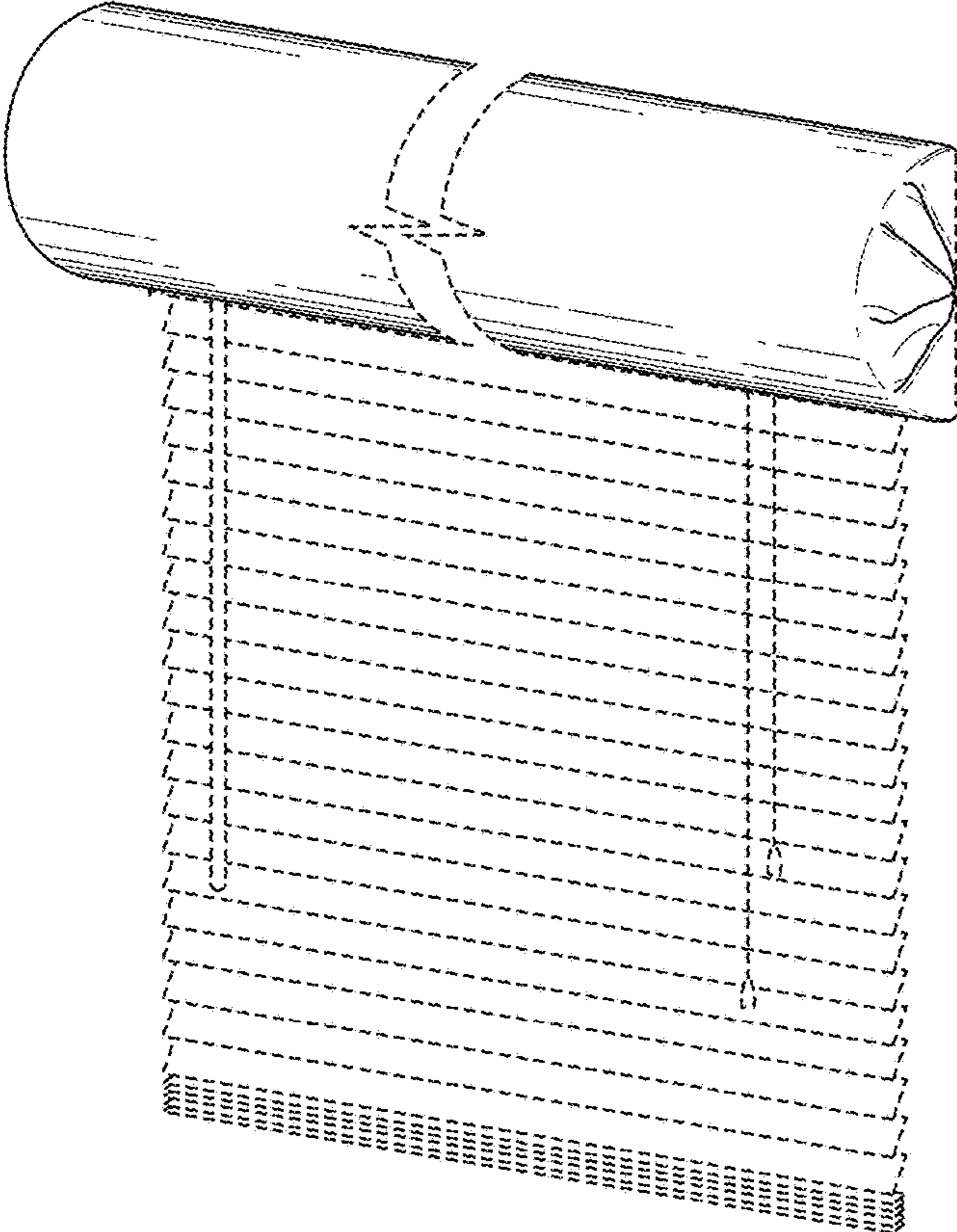


FIG. 1

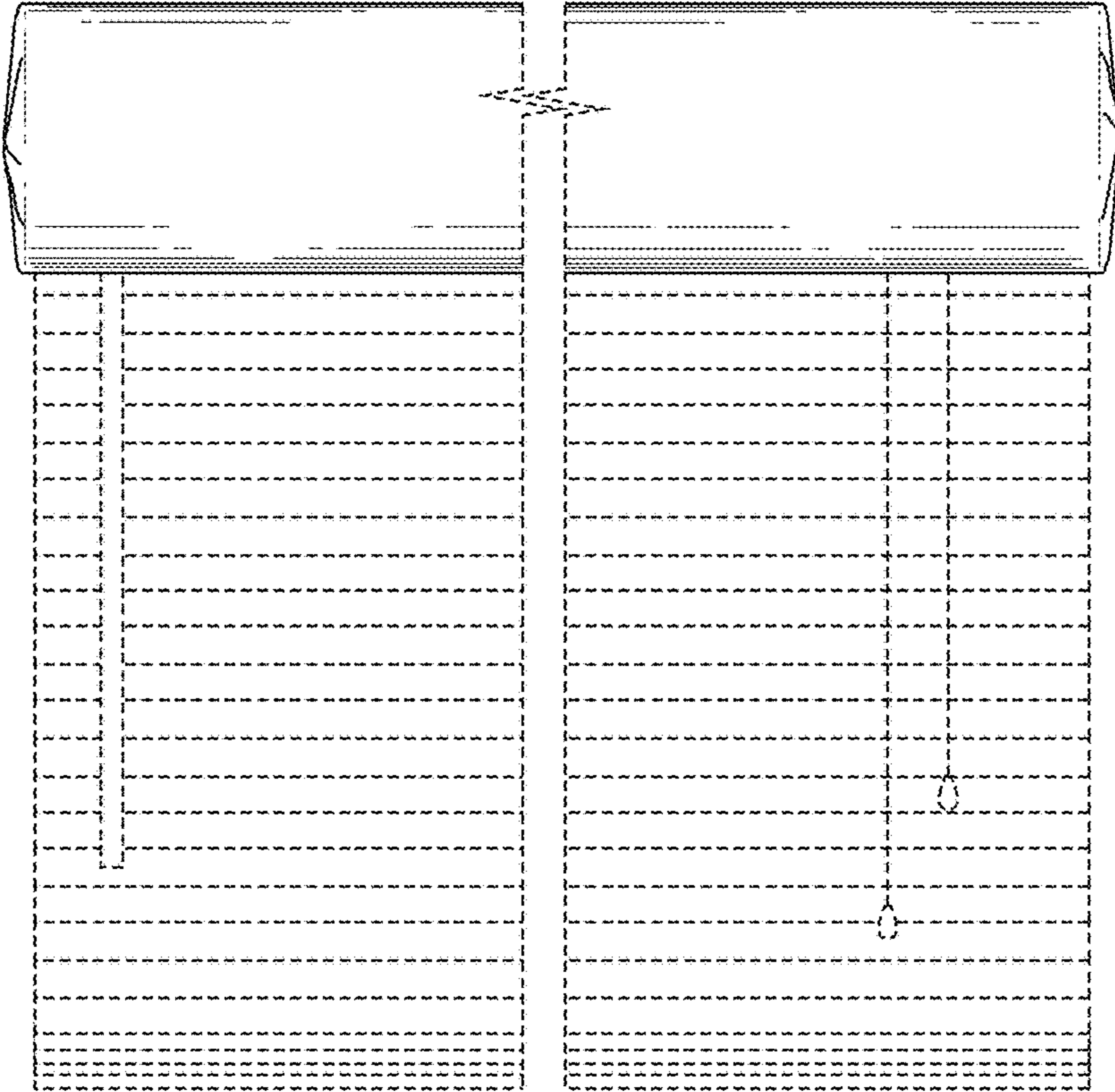


FIG. 2

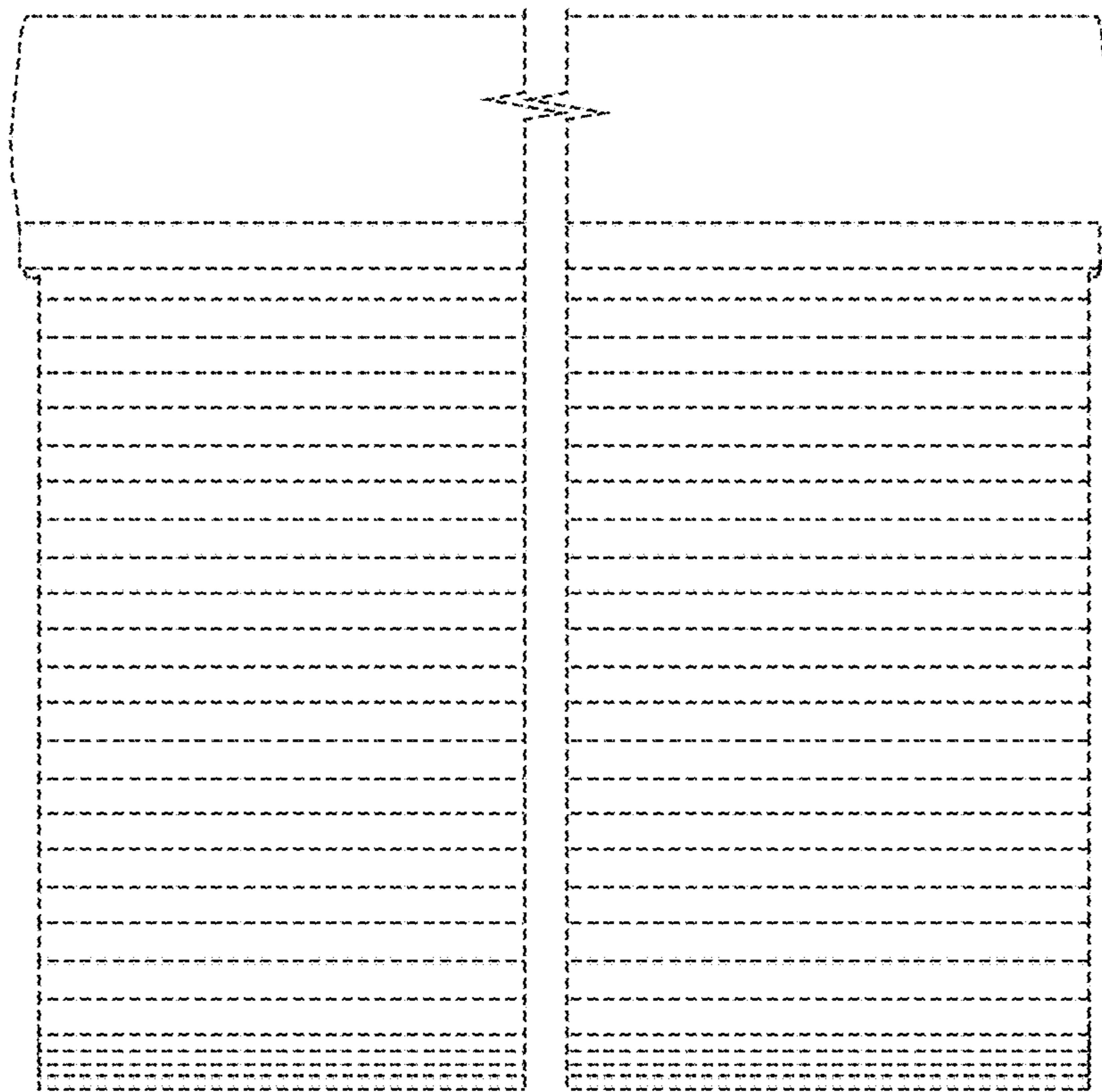


FIG. 3

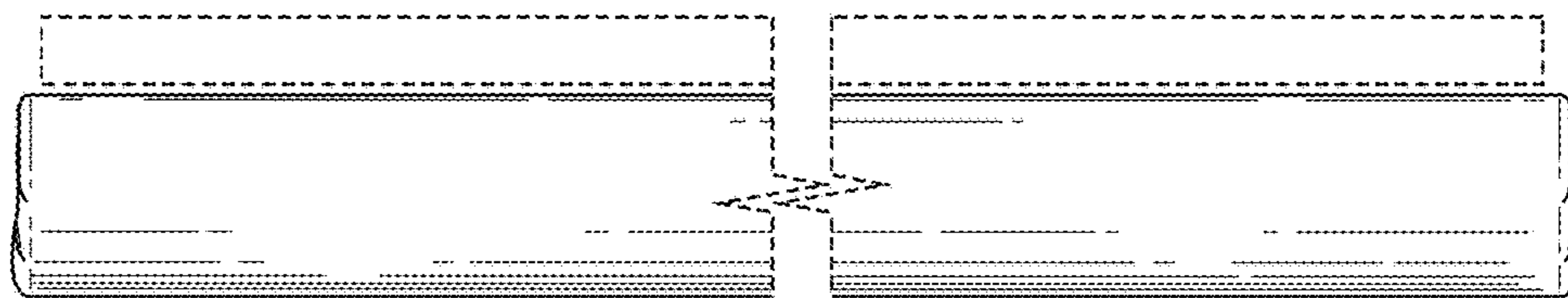


FIG. 4

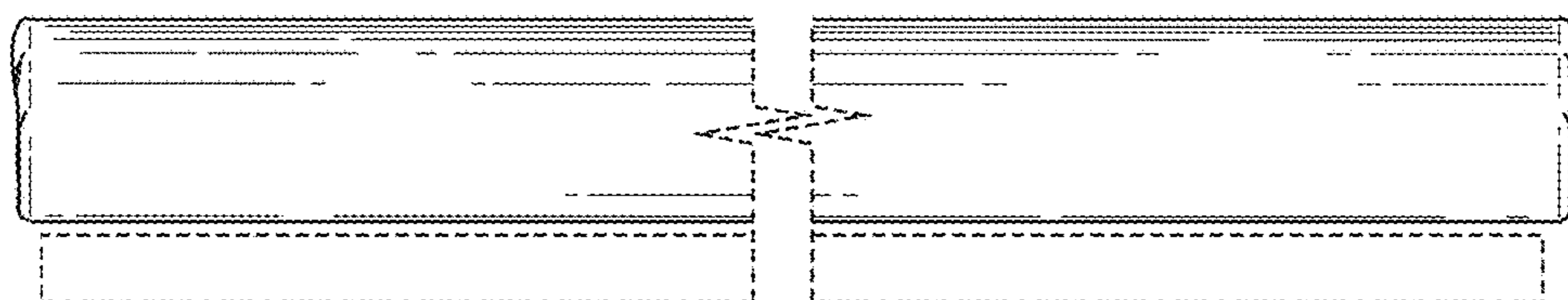


FIG. 5

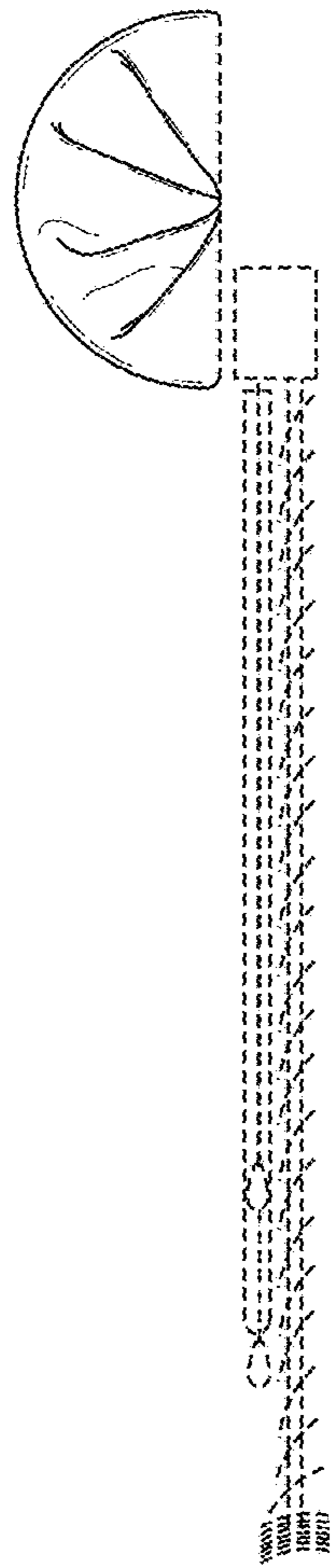


FIG. 6

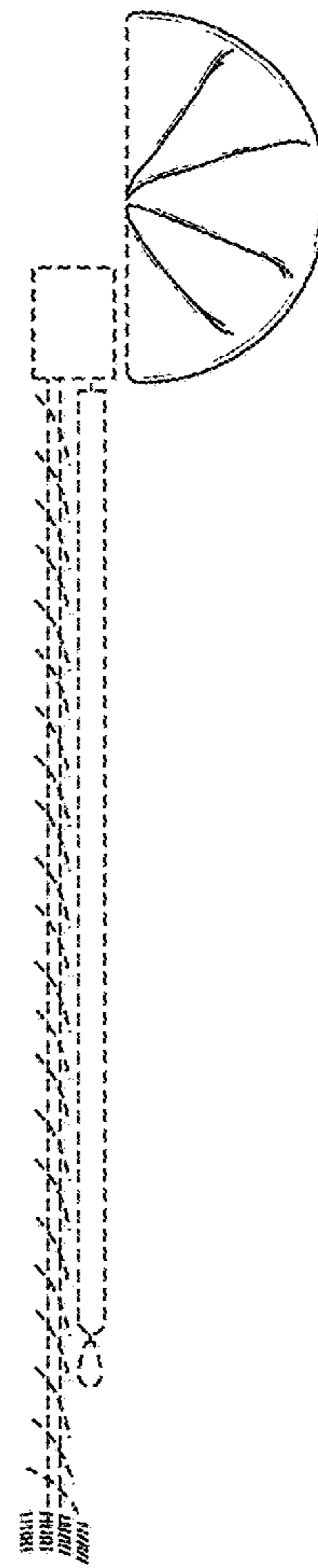


FIG. 7

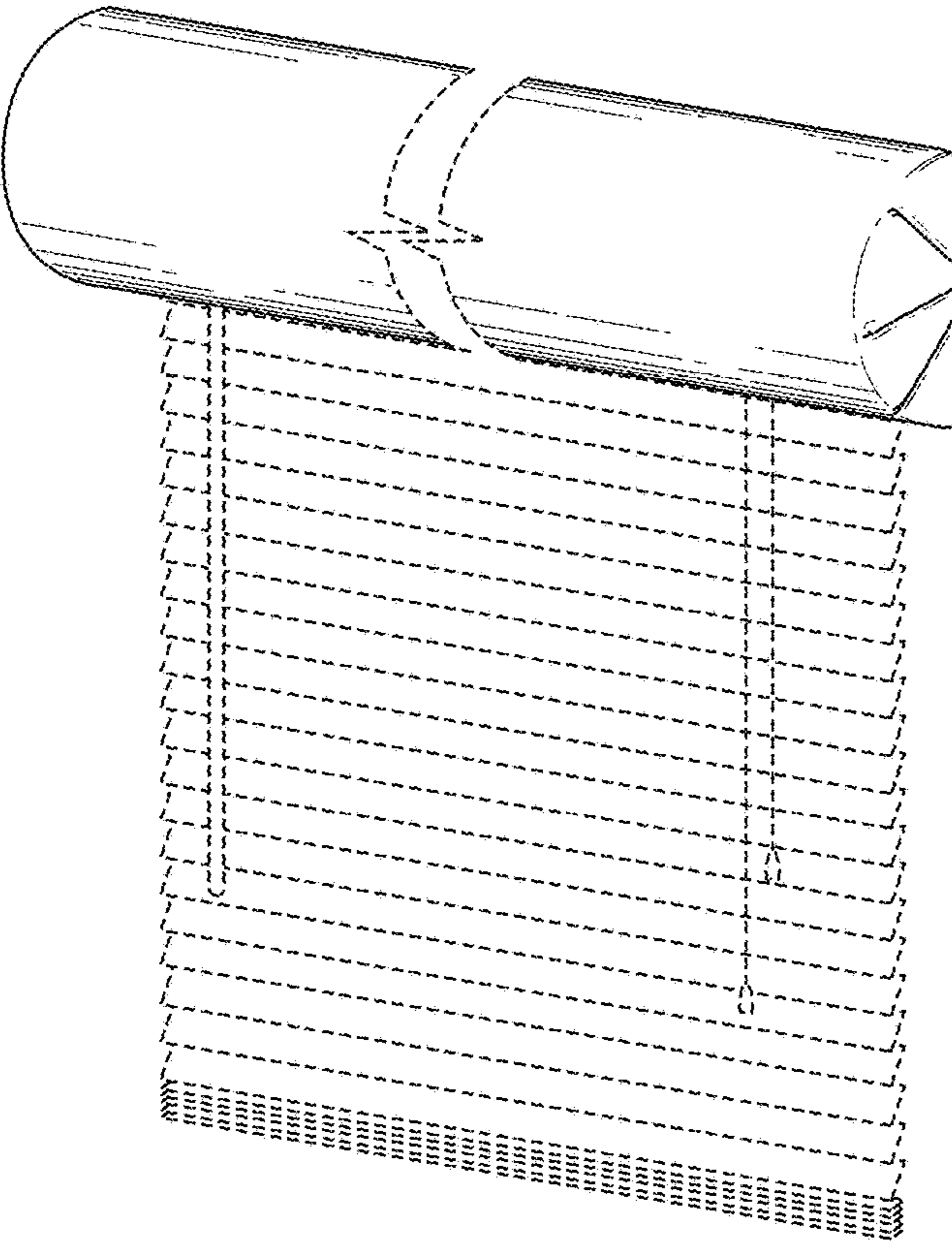


FIG. 8

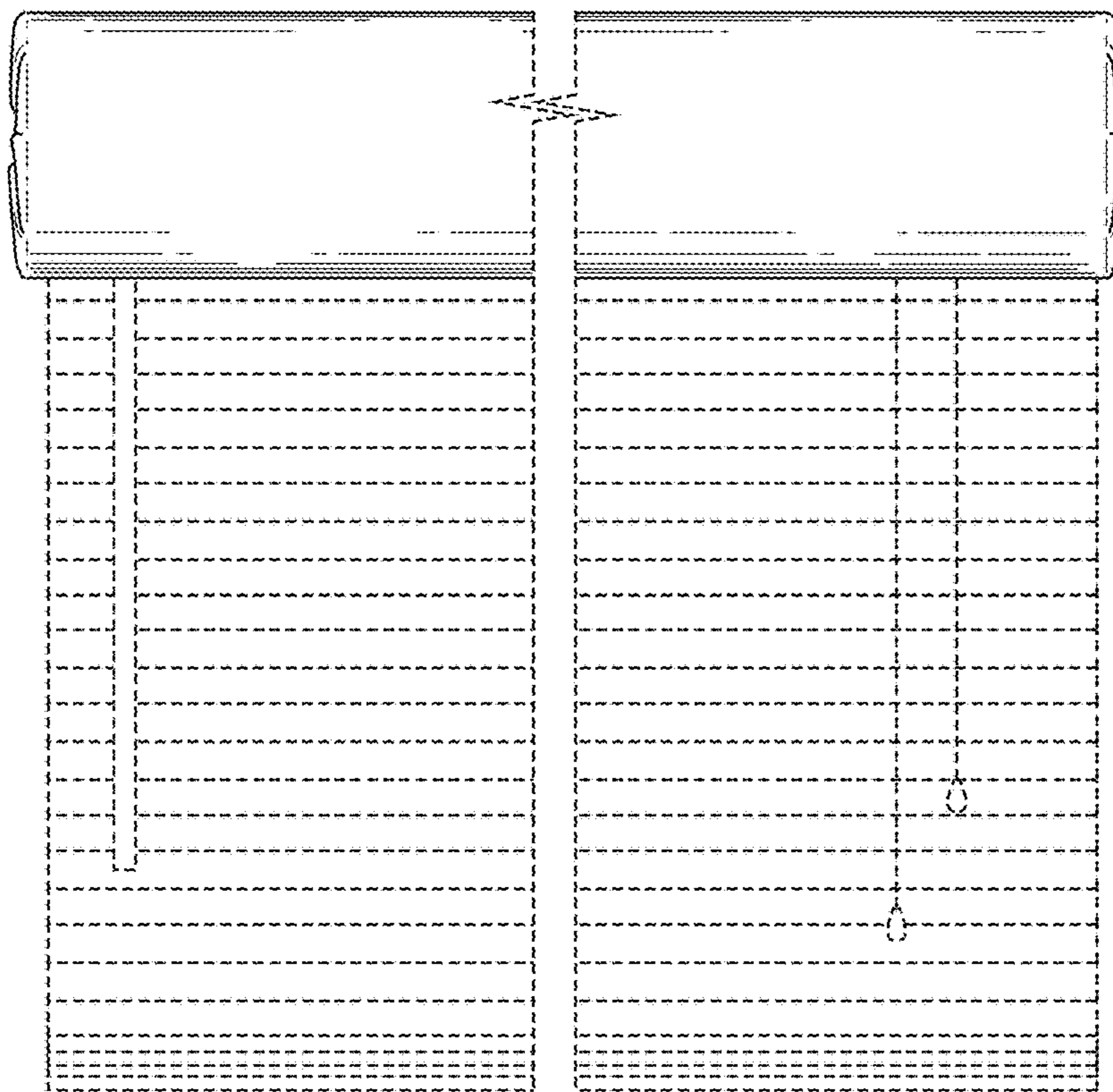


FIG. 9

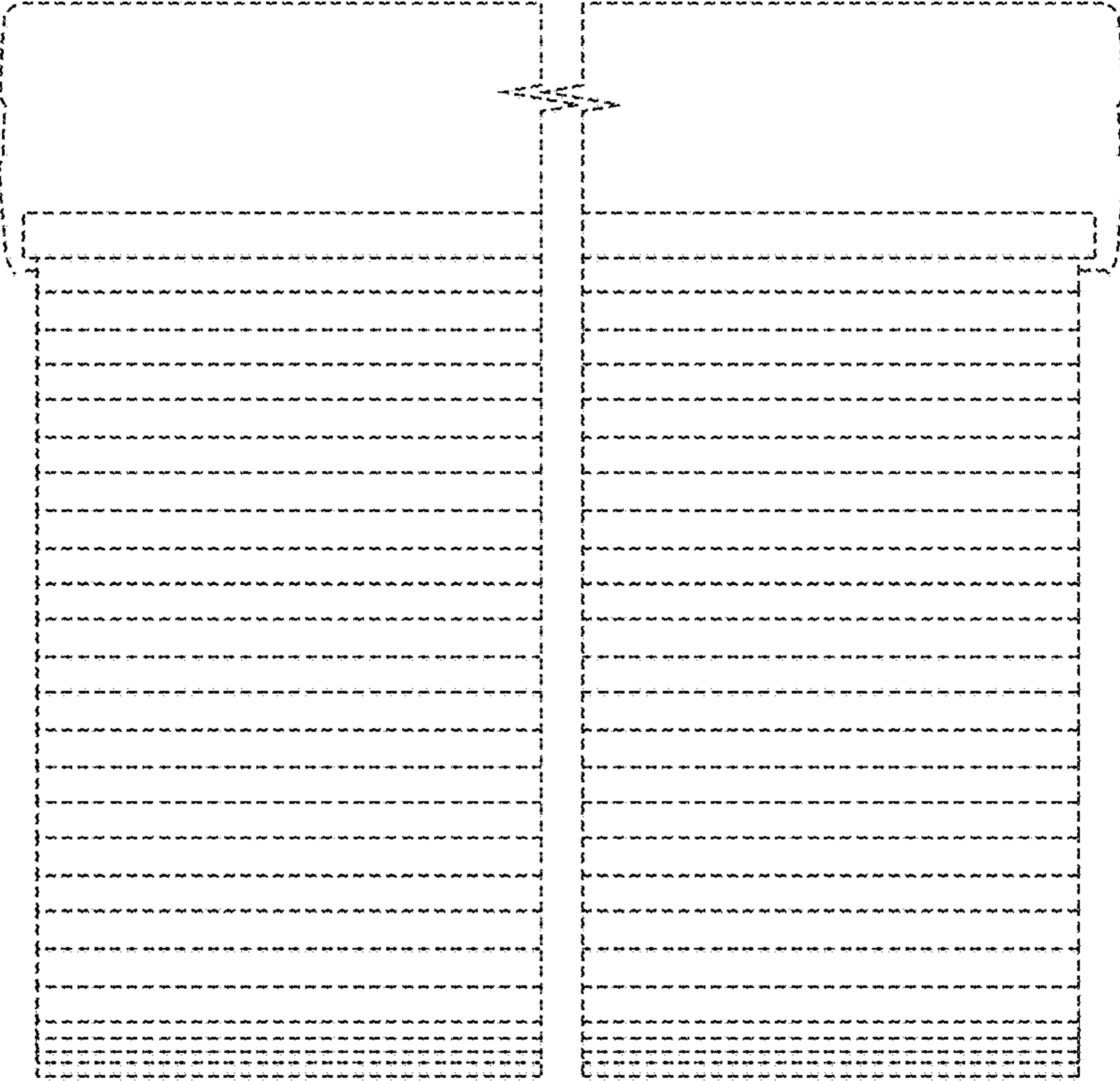


FIG. 10

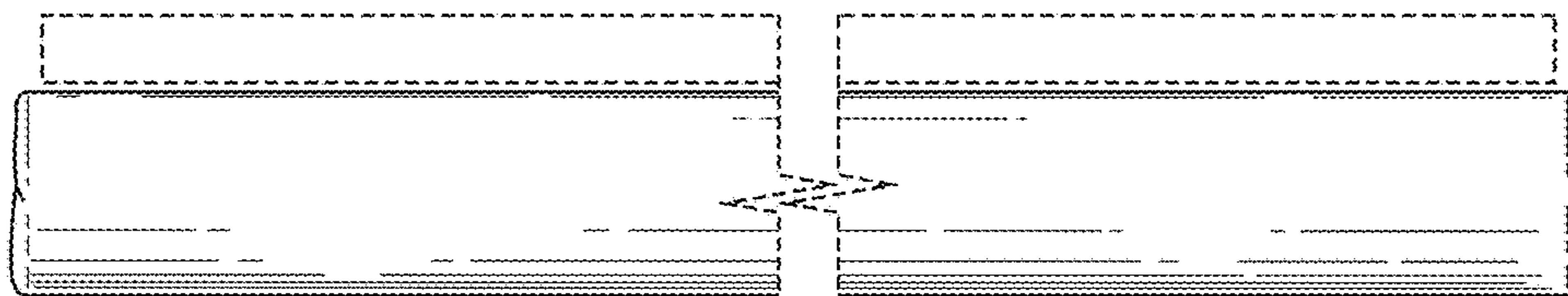


FIG. 11

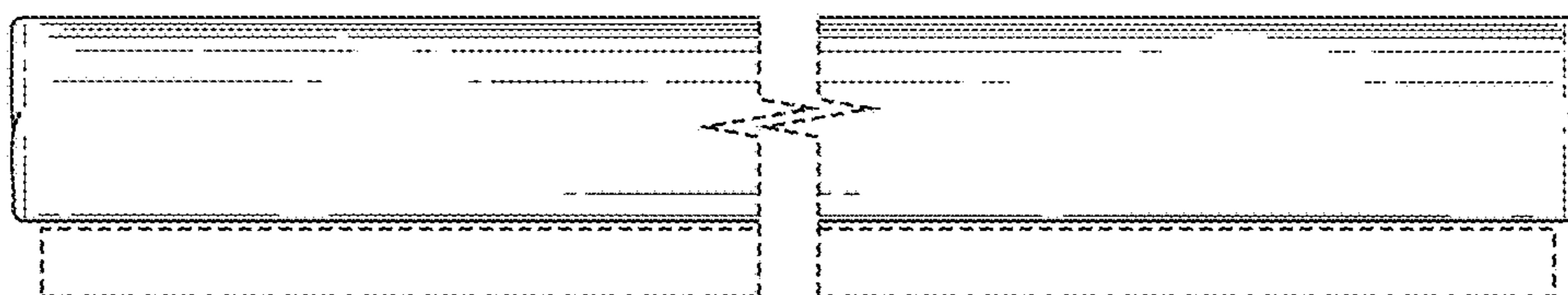


FIG. 12

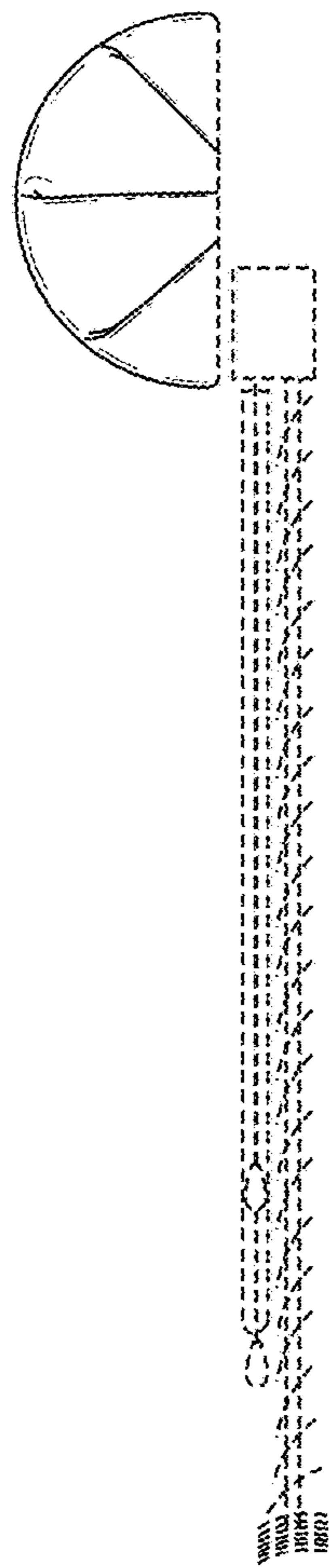


FIG. 13

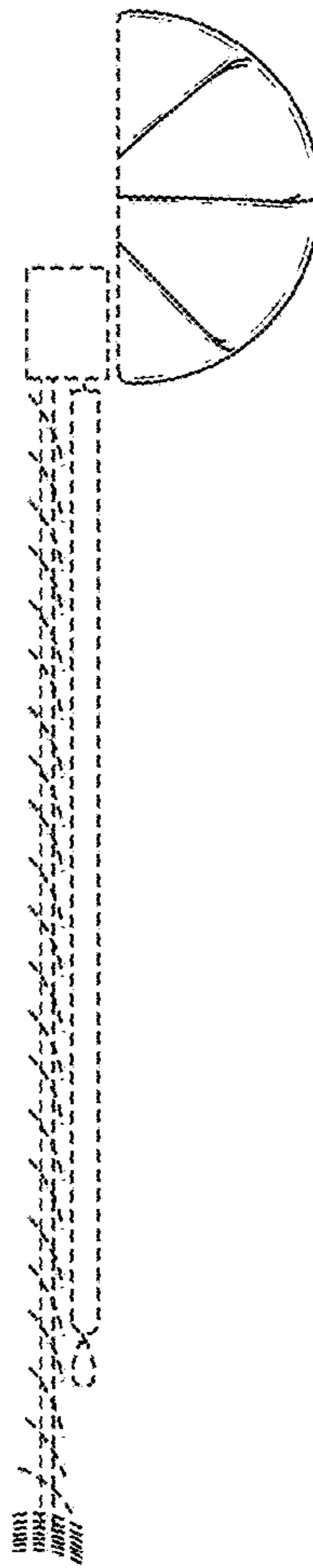


FIG. 14