



US00D852539S

(12) **United States Design Patent** (10) **Patent No.:** **US D852,539 S**
Nilssen et al. (45) **Date of Patent:** **** Jul. 2, 2019**

- (54) **NARROW SHELF**
- (71) Applicant: **Hestan Commercial Corporation,**
Anaheim, CA (US)
- (72) Inventors: **Raymond Nilssen,** Fairhope, AL (US);
Kevin D Kinch, West Columbia, SC (US)
- (73) Assignee: **Hestan Commercial Corporation**
- (**) Term: **15 Years**
- (21) Appl. No.: **29/629,328**
- (22) Filed: **Dec. 12, 2017**
- (51) **LOC (11) Cl.** **06-04**
- (52) **U.S. Cl.**
USPC **D6/574; D15/89; D7/406**
- (58) **Field of Classification Search**
USPC D7/402-409, 332, 337, 339-341,
D7/346-349, 350.1-351, 362-363, 323,
D7/550.1, 552.1, 554.3, 554.4; D6/705,
D6/574, 681.2, 691.9, 648.2, 654;
D15/89, 79, 81
CPC A47J 37/0786; F24C 15/16; F24C 3/082;
F24C 3/085; F24C 7/083; F25D 23/04;
A47B 57/00; A47B 57/10
See application file for complete search history.

(56) **References Cited**

U.S. PATENT DOCUMENTS

- D193,243 S * 7/1962 Chapman et al. D6/574
- 4,867,512 A * 9/1989 Wilkins A47B 57/20
312/245

- D490,944 S * 6/2004 Mallon D32/3
- D590,424 S * 4/2009 Baacke D15/89
- D591,315 S * 4/2009 Baacke D15/89
- D607,021 S * 12/2009 Baacke D15/89
- D661,325 S * 6/2012 Yang D15/89
- D669,506 S * 10/2012 Czach D15/89
- D694,288 S * 11/2013 Hottmann D15/89
- D747,369 S * 1/2016 McConnell D15/89
- D747,372 S * 1/2016 Kim D15/89
- D748,165 S * 1/2016 McConnell D15/89
- D777,226 S * 1/2017 McConnell D15/89

* cited by examiner

Primary Examiner — Sheryl Lane

Assistant Examiner — Nicole C Shiflet

(74) *Attorney, Agent, or Firm* — Edward S. Sherman

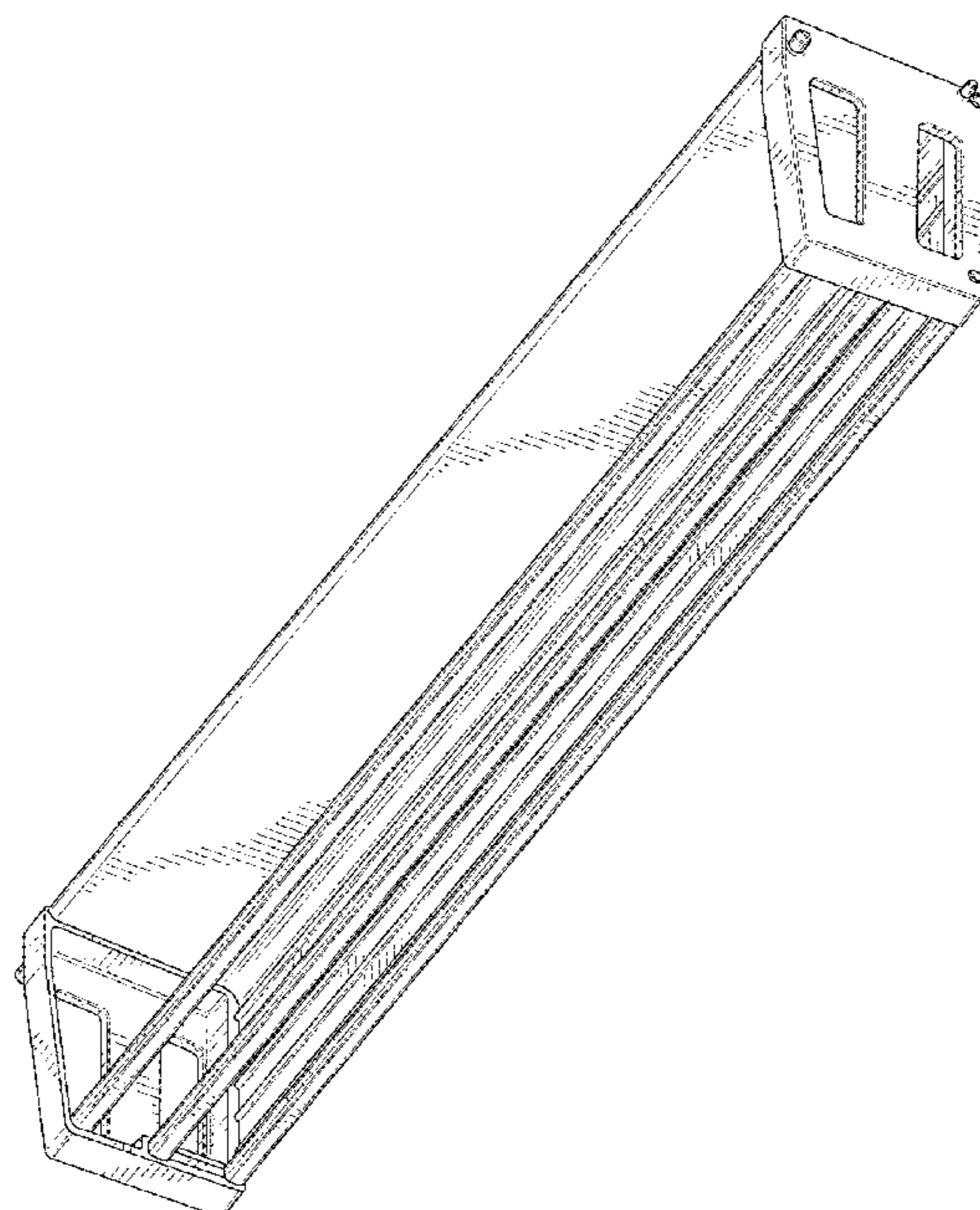
(57) **CLAIM**

The ornamental design for a narrow shelf, as shown and described.

DESCRIPTION

FIG. 1 is a front perspective view of the narrow shelf showing my new design;
 FIG. 2 is a top perspective view thereof;
 FIG. 3 is a bottom perspective view thereof;
 FIG. 4 is a side perspective view thereof;
 FIG. 5 is a top plan view thereof;
 FIG. 6 is a front elevation view thereof;
 FIG. 7 is a back elevation view thereof.
 FIG. 8 is a bottom plan view thereof; and,
 FIG. 9 is a left side elevation view, the right side elevation being the mirror image thereof.

1 Claim, 9 Drawing Sheets



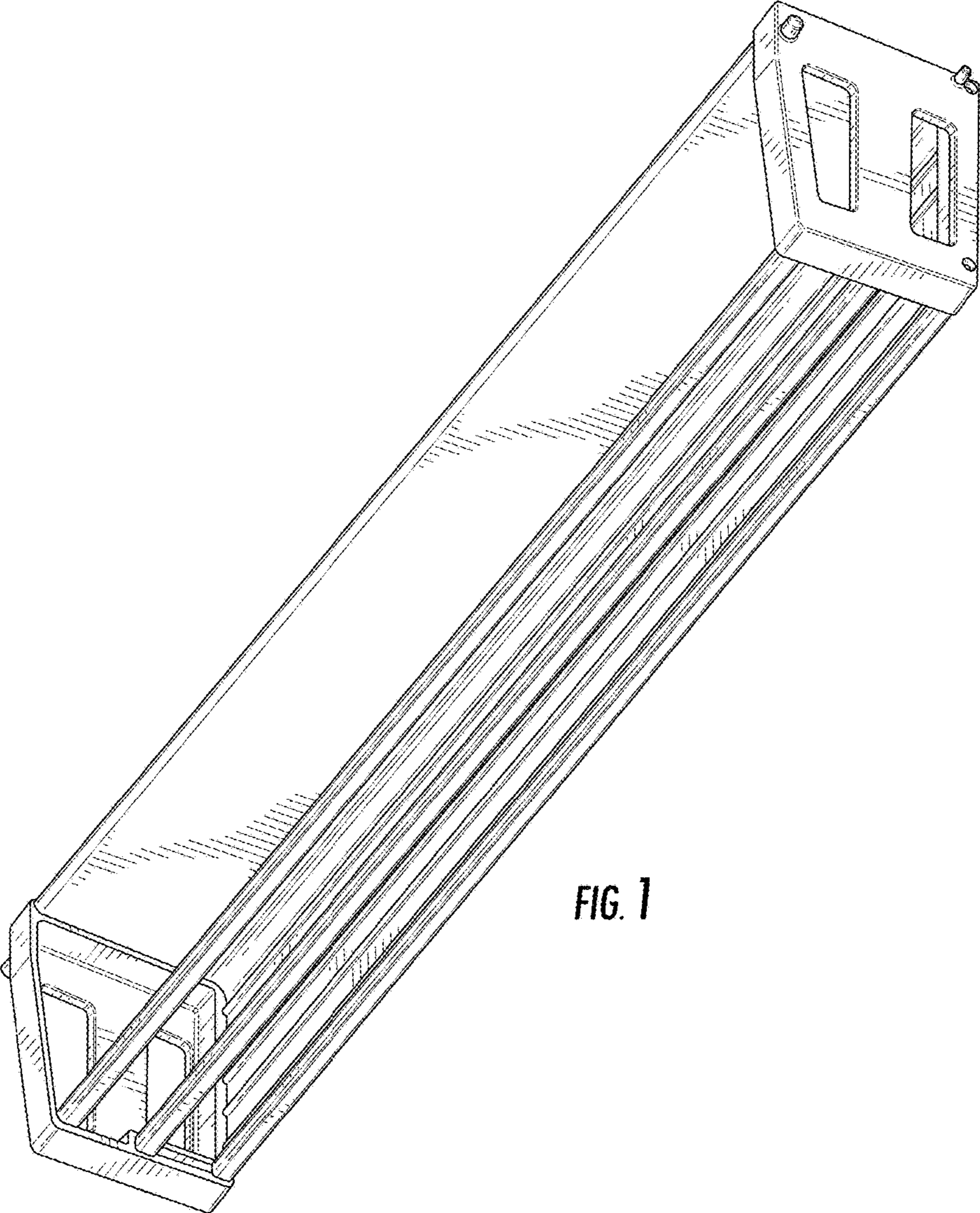


FIG. 1

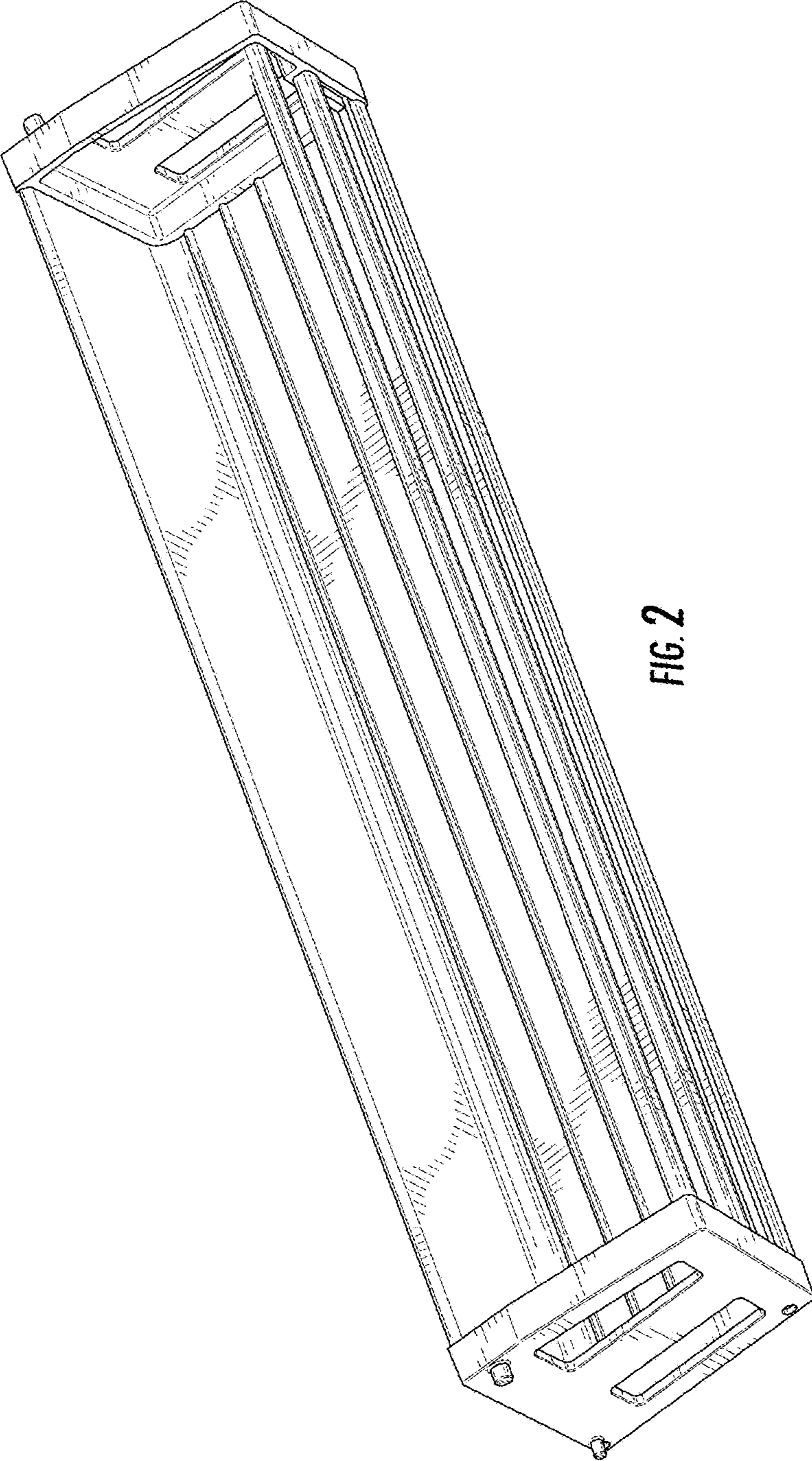


FIG. 2

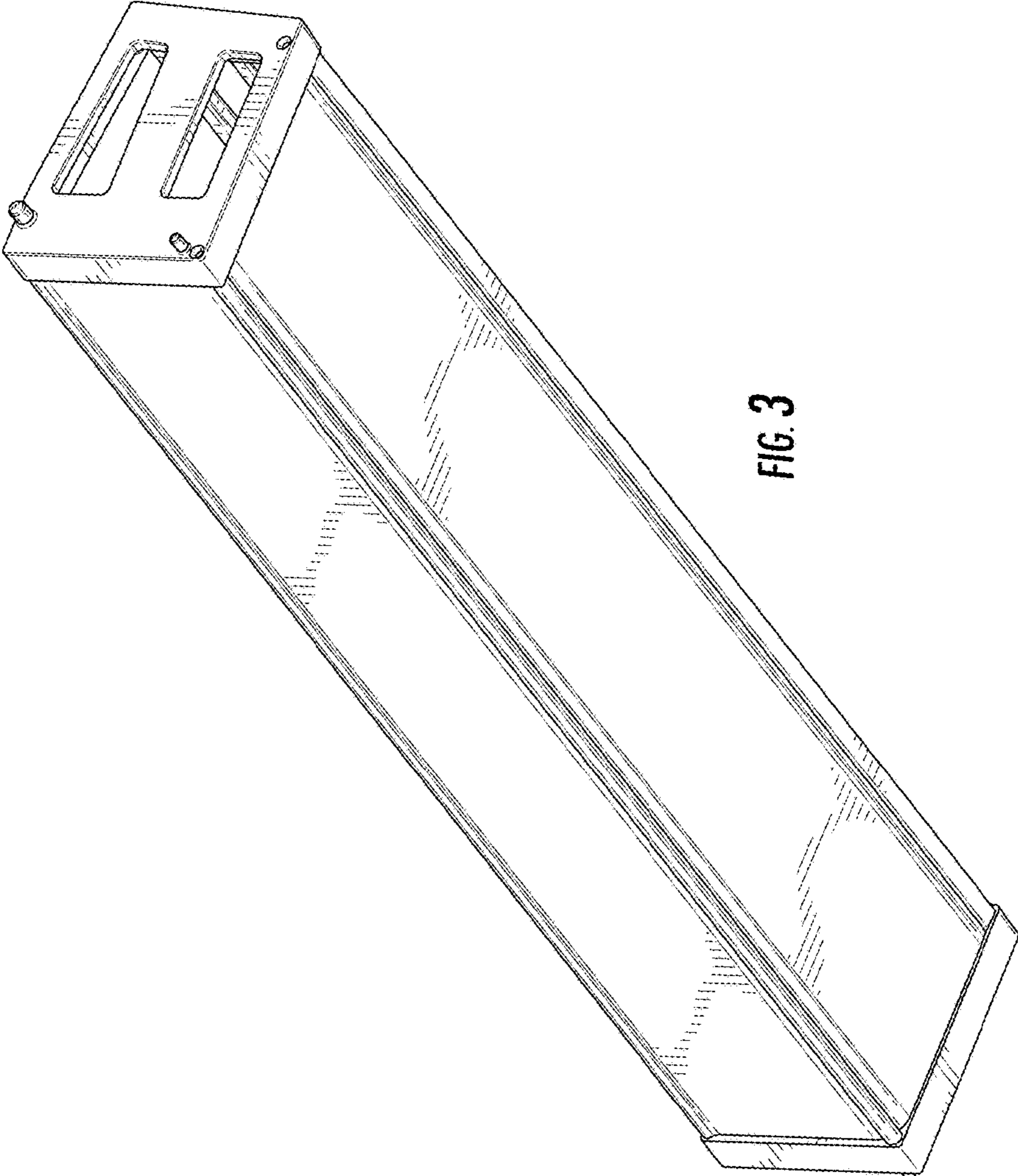


FIG. 3

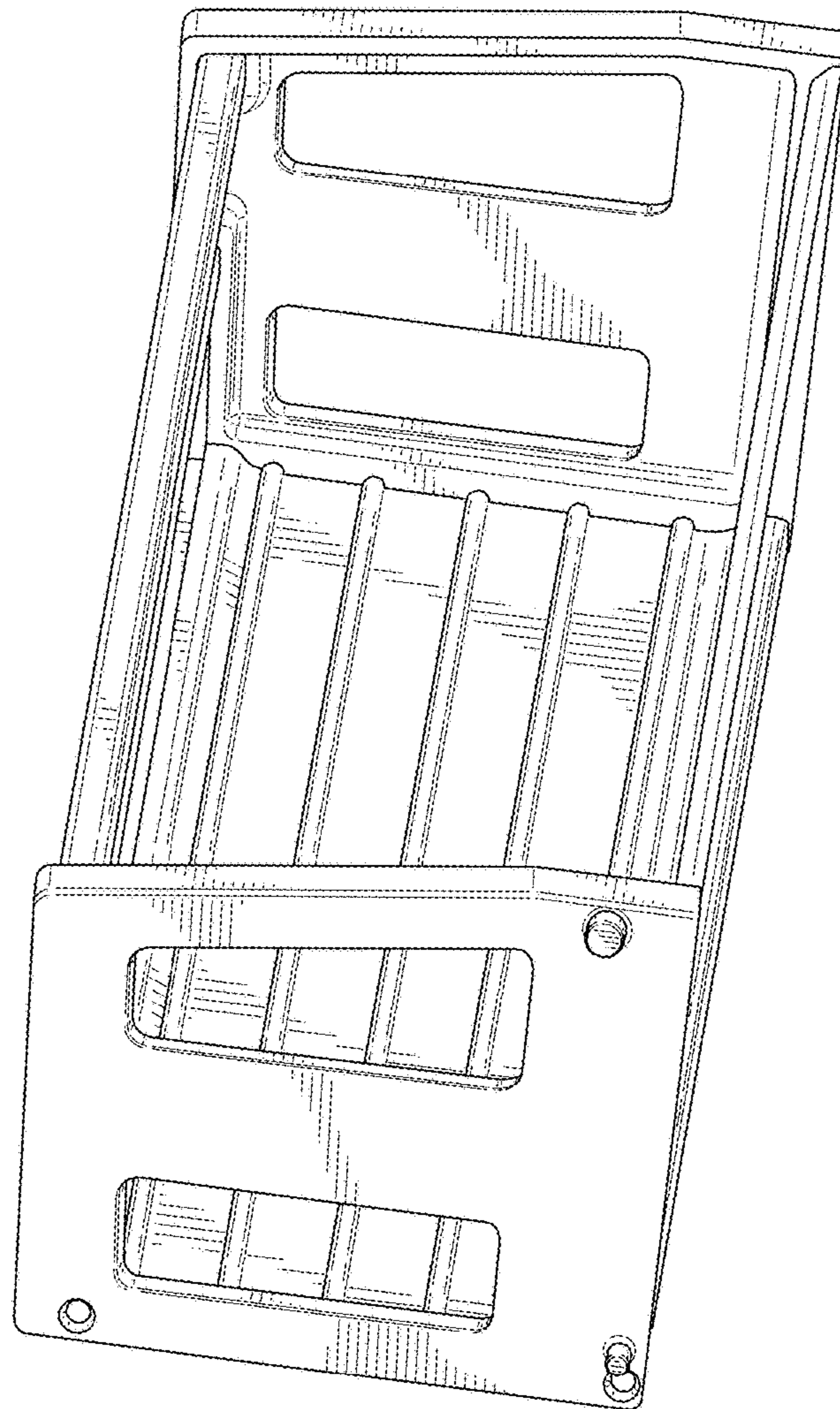


FIG. 4

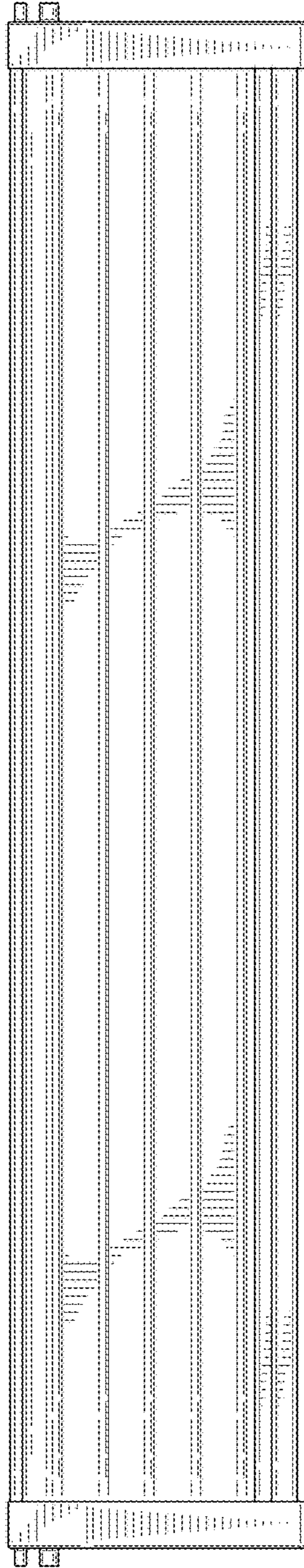


FIG. 5

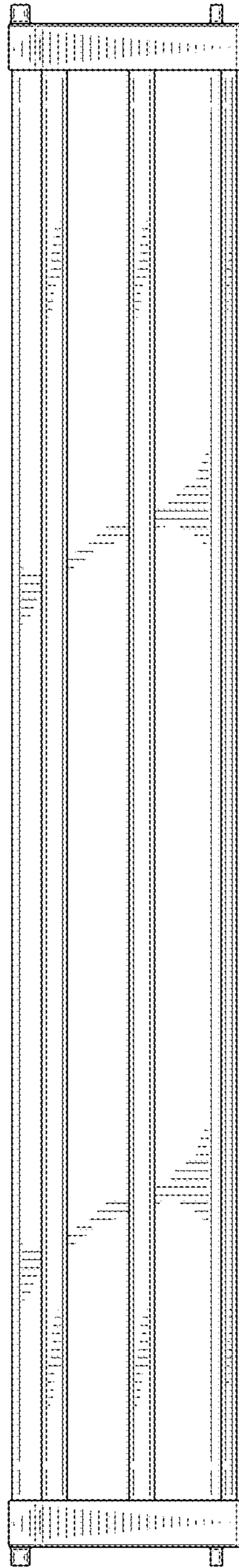


FIG. 6

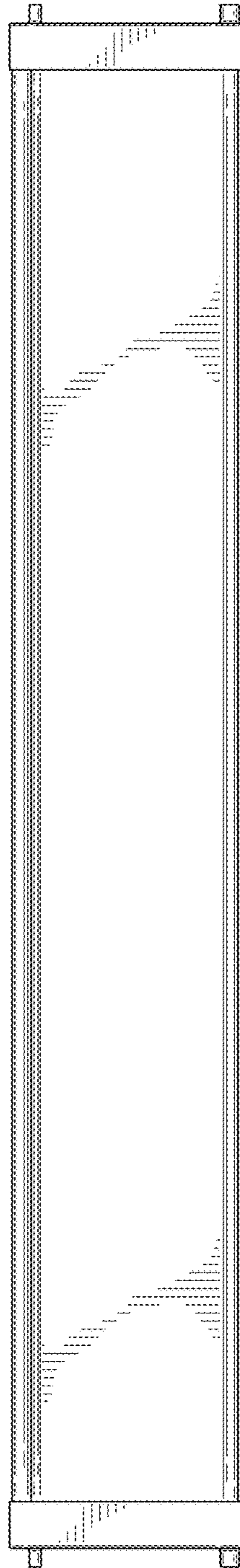


FIG. 7

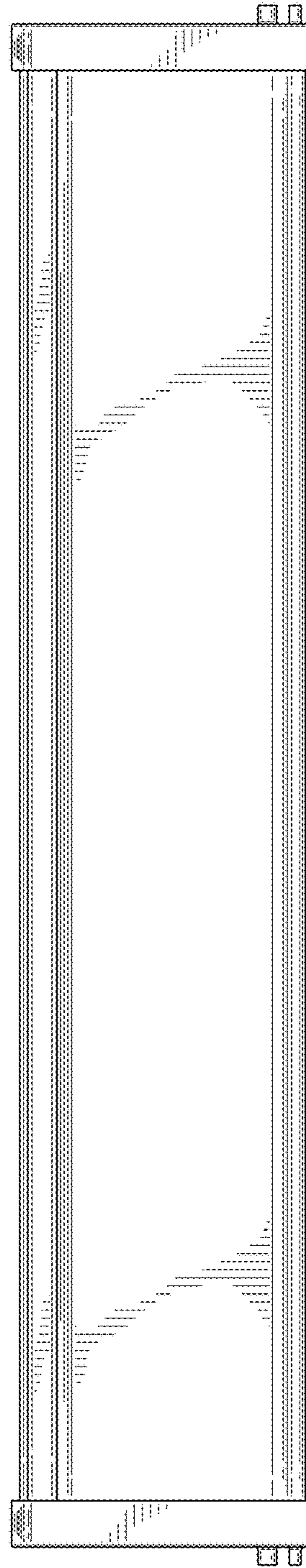


FIG. 8

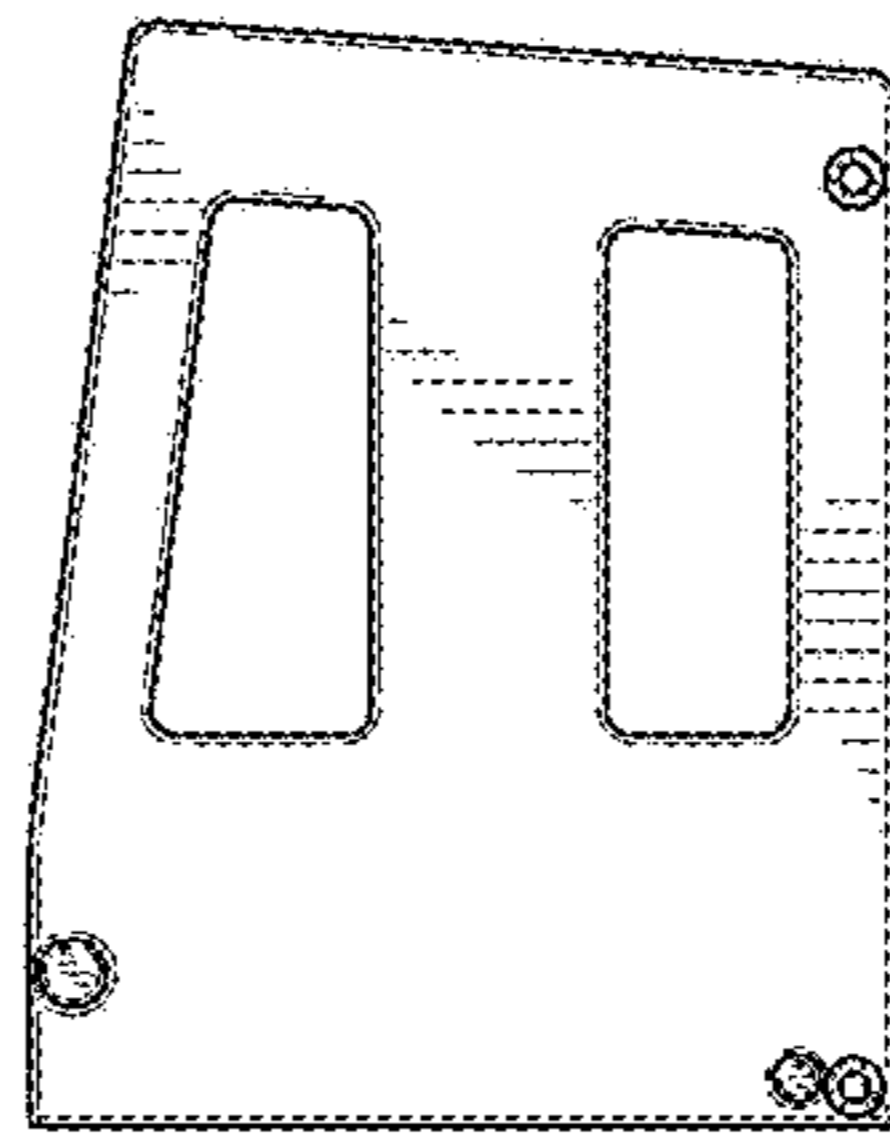


FIG. 9