



US00D852538S

(12) **United States Design Patent** (10) **Patent No.:** **US D852,538 S**
Lawrence (45) **Date of Patent:** **** Jul. 2, 2019**

(54) **ROD HOLDER**

(71) Applicant: **Reel Rack, LLC**, Fort Pierce, FL (US)

(72) Inventor: **David Lawrence**, Fort Pierce, FL (US)

(**) Term: **15 Years**

(21) Appl. No.: **29/561,422**

(22) Filed: **Apr. 15, 2016**

(51) **LOC (11) Cl.** **08-08**

(52) **U.S. Cl.**
USPC **D6/552**

(58) **Field of Classification Search**
USPC D6/552, 553, 567, 572; D8/380;
D22/147, 148, 109; D25/68; 43/21,
43/21.2; 211/13.1, 60.1, 64, 70.2, 70.6,
211/70.8, 65, 68, 69, 69.8, 89, 94;
248/512, 520, 538, 316.7
CPC A01K 97/10; A01K 97/12; A01K 97/125;
A01K 99/00; A01K 97/08; A47F 7/0021;
A47F 7/0035; Y10T 70/5009; Y10S
224/922; A47B 81/005
See application file for complete search history.

(56) **References Cited**

U.S. PATENT DOCUMENTS

- 3,298,531 A * 1/1967 Wilcke A47L 13/512
211/70.6
- D272,787 S * 2/1984 Rumbaugh D6/552
- 4,461,385 A * 7/1984 Clouser A47B 81/005
211/4
- 4,583,647 A * 4/1986 Schinzing A47B 81/007
211/60.1
- 4,871,074 A * 10/1989 Bryson A45D 20/12
211/26
- D310,302 S * 9/1990 Southard 211/163
- D335,233 S * 5/1993 Long D6/552
- D340,608 S * 10/1993 Hubbard D6/567

(Continued)

Primary Examiner — David G Muller

Assistant Examiner — Nathan M Johnston

(74) *Attorney, Agent, or Firm* — Stephen C. Thomas

(57) **CLAIM**

The ornamental design for a rod holder, as shown and described.

DESCRIPTION

FIG. 1 is a front perspective view of the rod holder showing my new design.

FIG. 2 is a left side elevation view thereof.

FIG. 3 is a left side elevation view of a second embodiment of FIG. 1.

FIG. 4 is a right side elevation view of the hooking member of the first and second embodiment shown separately for ease of illustration.

FIG. 5 is a top plan view thereof.

FIG. 6 is a front elevation view thereof.

FIG. 7 is a bottom plan view thereof.

FIG. 8 is a cross-sectional view thereof along line 8-8 indicated in FIG. 7.

FIG. 9 is a top plan view of the base of the rod holder of the first and second embodiment shown separately for ease of illustration.

FIG. 10 is a cross-sectional view of FIG. 9 of the first embodiment along line 10, 11 indicated in FIG. 9.

FIG. 11 is a cross-sectional view of FIG. 9 of the second embodiment along line 10, 11 indicated in FIG. 9.

FIG. 12 is a right side elevation view of the base of the rod holder of the first and second embodiment shown separately for ease of illustration.

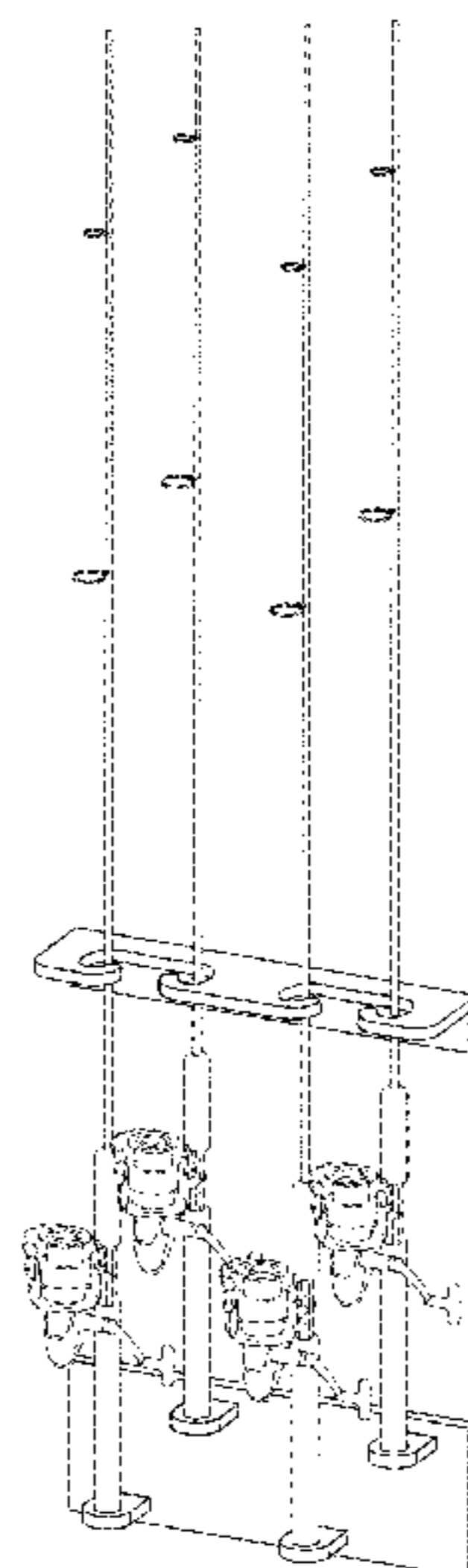
FIG. 13 is a front elevation view thereof.

FIG. 14 is a bottom plan view of first embodiment of FIG. 9; and,

FIG. 15 is a bottom plan view of second embodiment of FIG. 9.

The broken line showing of parts of the drawings is included for the purpose of illustrating use and environment and forms no part of the claimed design.

1 Claim, 6 Drawing Sheets



(56)

References Cited

U.S. PATENT DOCUMENTS

D440,803	S *	4/2001	McCormick	D6/552
6,360,902	B1 *	3/2002	Searles	A01K 97/10 211/70.8
D478,738	S *	8/2003	Workman	D6/552
D530,960	S *	10/2006	Osiecki	D6/552
D573,827	S *	7/2008	Taggart	D6/552
D597,775	S *	8/2009	Taggart	D6/552
D597,776	S *	8/2009	Taggart	D6/552
D685,501	S *	7/2013	Schildmeyer	D25/68
D699,477	S *	2/2014	Allen	D6/552
D702,886	S *	4/2014	Bohman	D28/38
2004/0140280	A1 *	7/2004	Cleveland	A47B 46/00 211/64
2005/0133473	A1 *	6/2005	Lesperance	A47B 81/005 211/64
2005/0194331	A1 *	9/2005	Chang	A47B 81/00 211/60.1
2007/0210021	A1 *	9/2007	Whitehead	B25H 3/04 211/70.6
2011/0204109	A1 *	8/2011	Knutson	A01K 97/08 224/405
2015/0216301	A1 *	8/2015	Yates	A47B 81/005 211/70.8
2015/0359210	A1 *	12/2015	Rossi	A01K 97/10 43/21.2
2018/0014642	A1 *	1/2018	Quinto	A47B 81/005

* cited by examiner

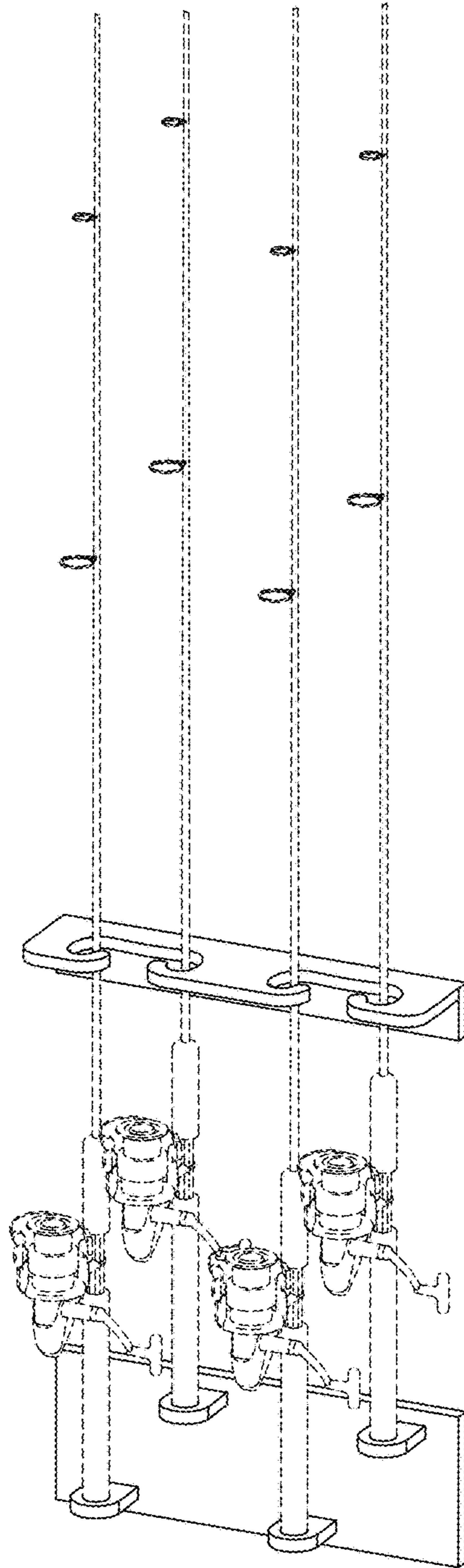


FIG. 1

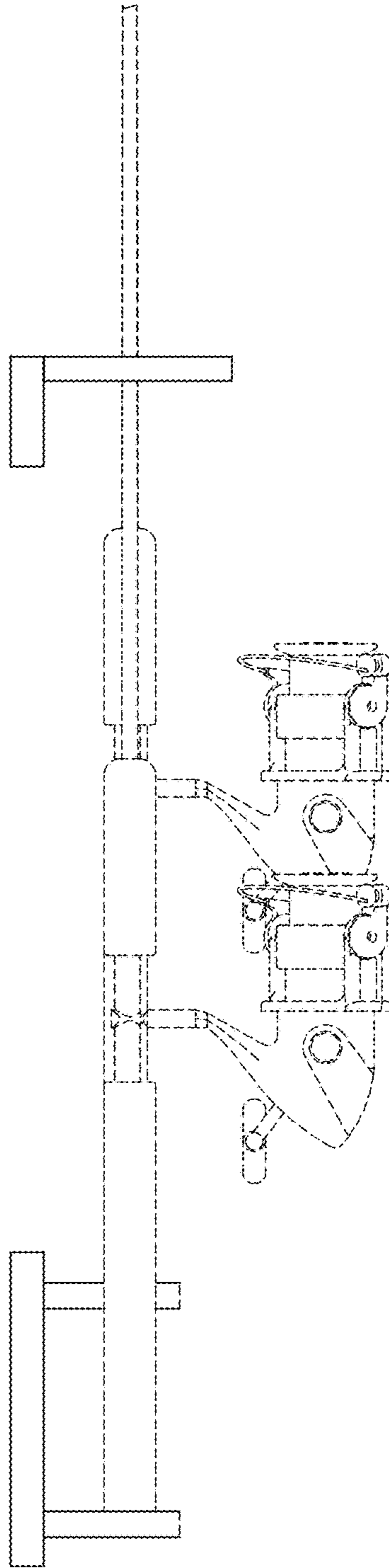


FIG. 2

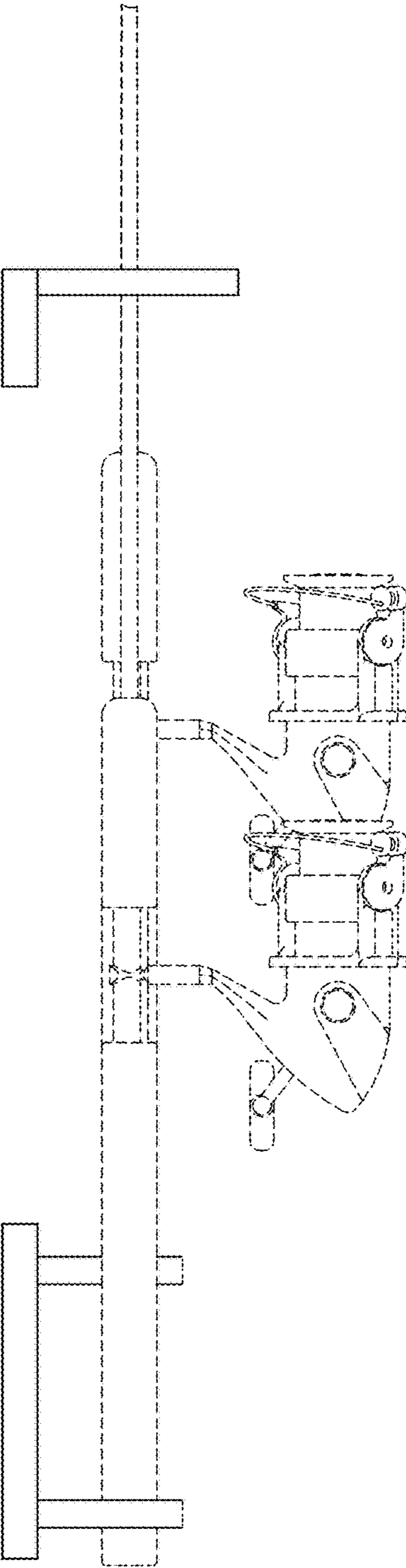


FIG. 3

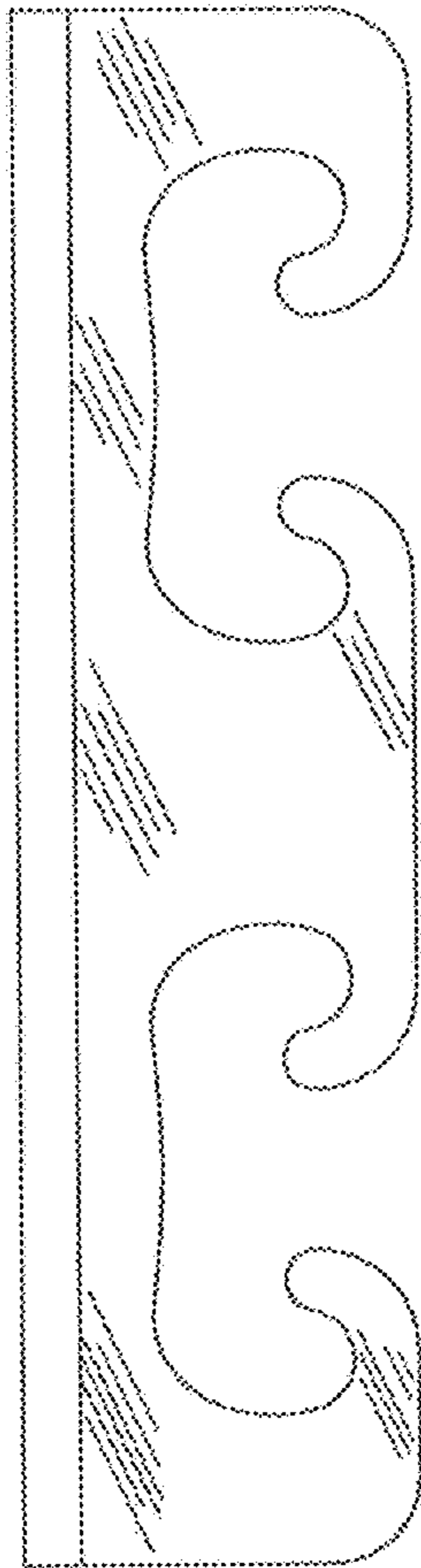


FIG. 5

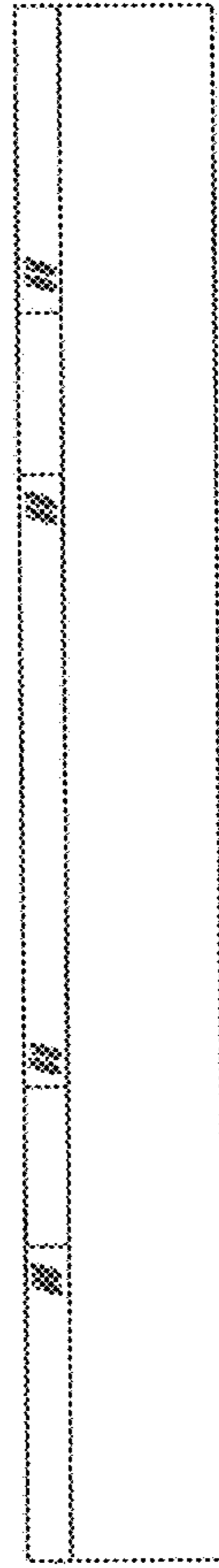


FIG. 6

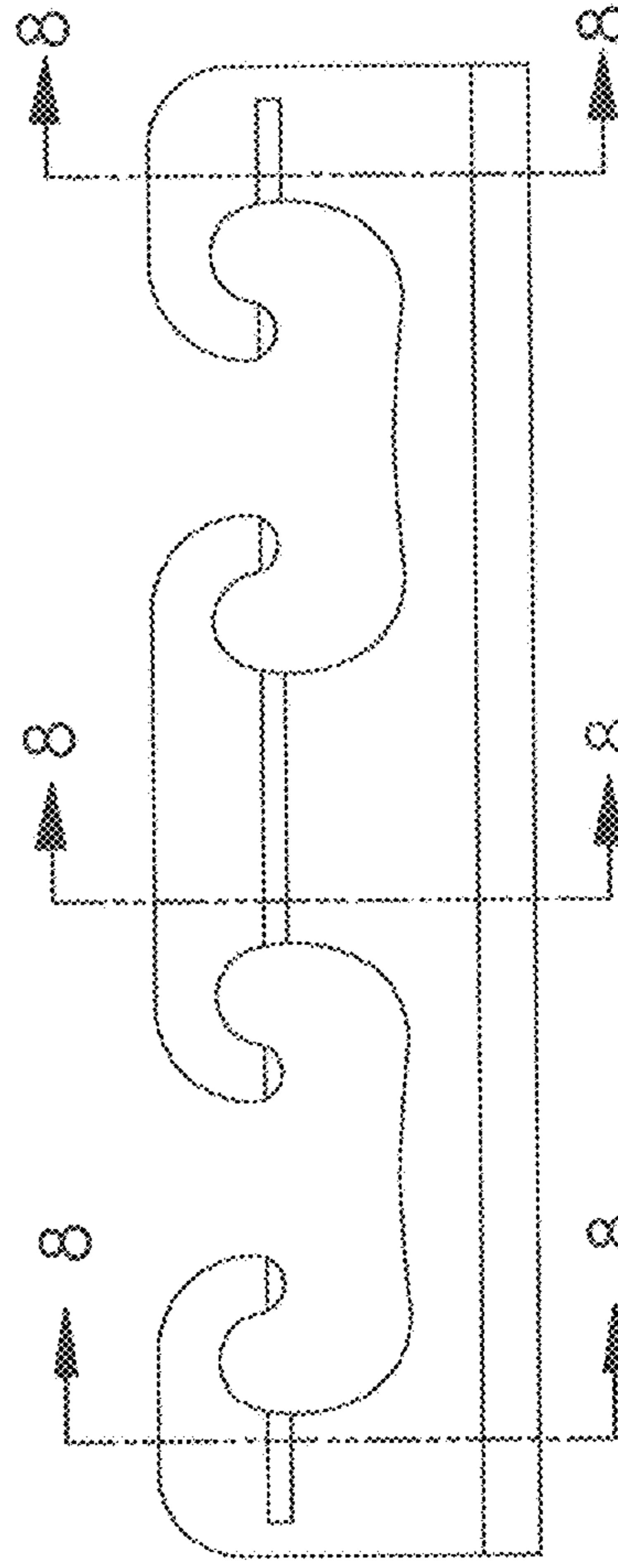


FIG. 7

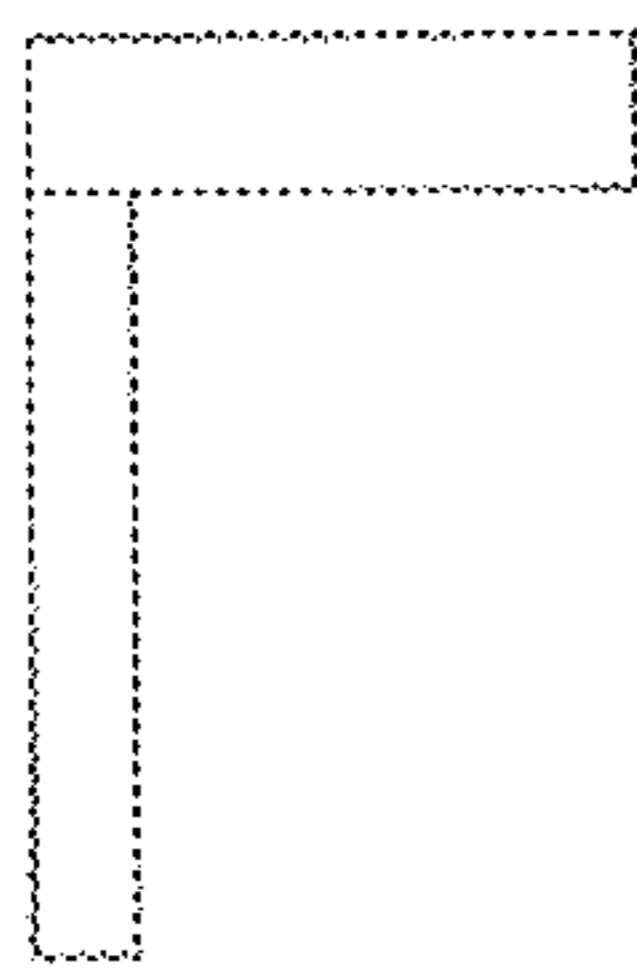


FIG. 4

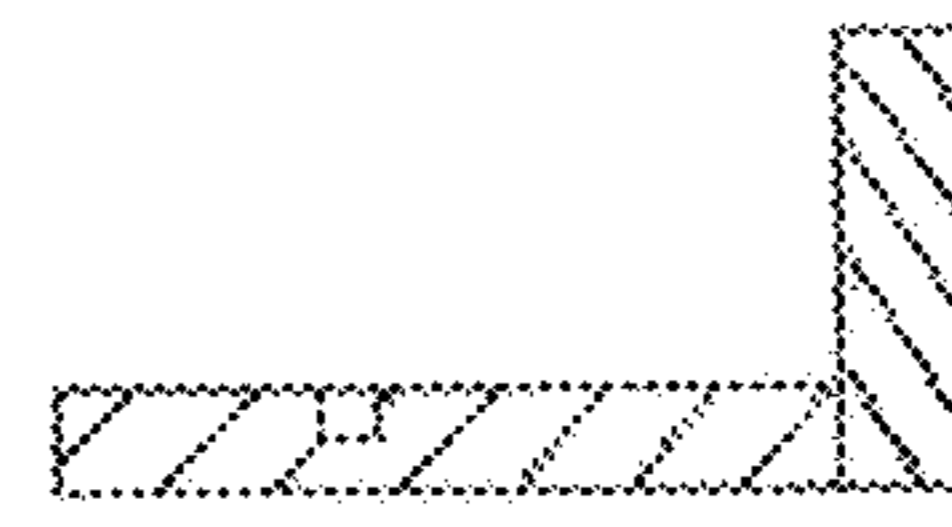


FIG. 8

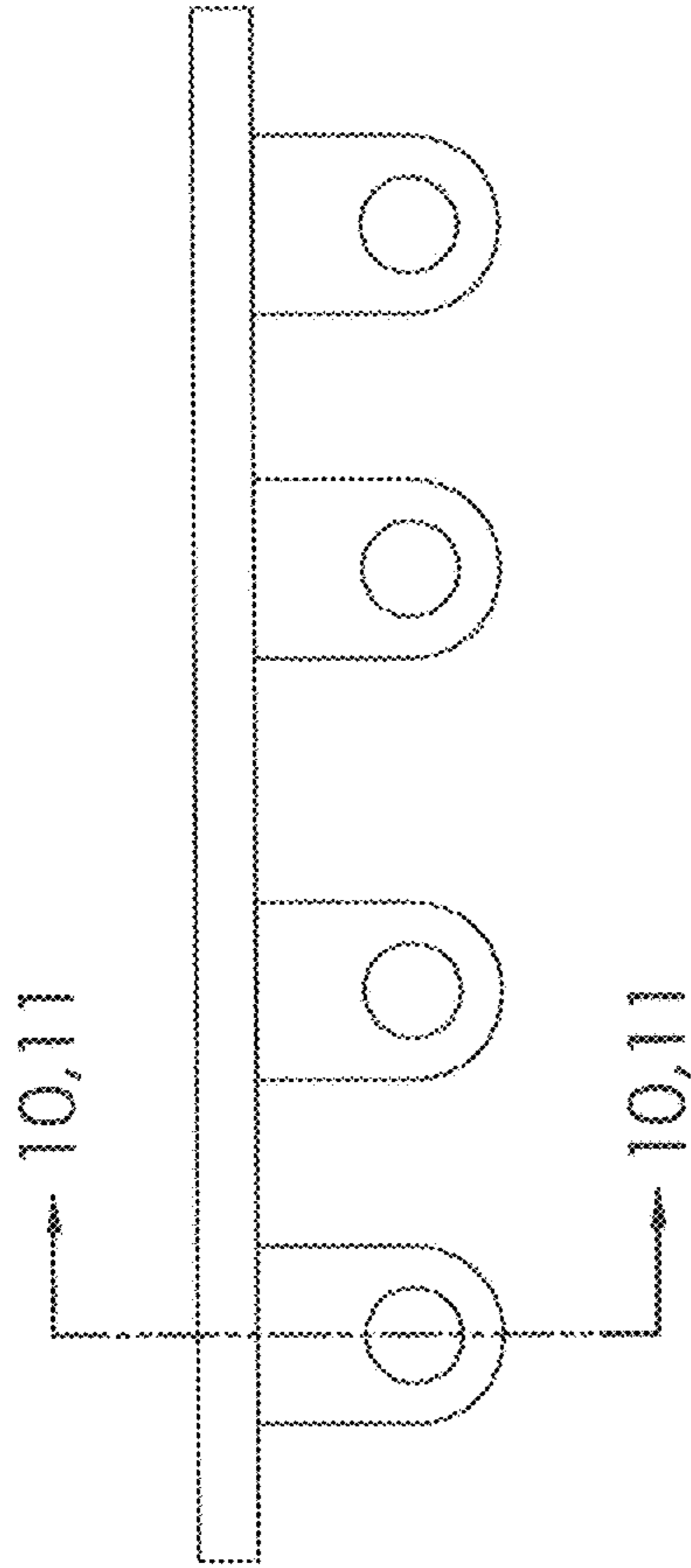


FIG. 9

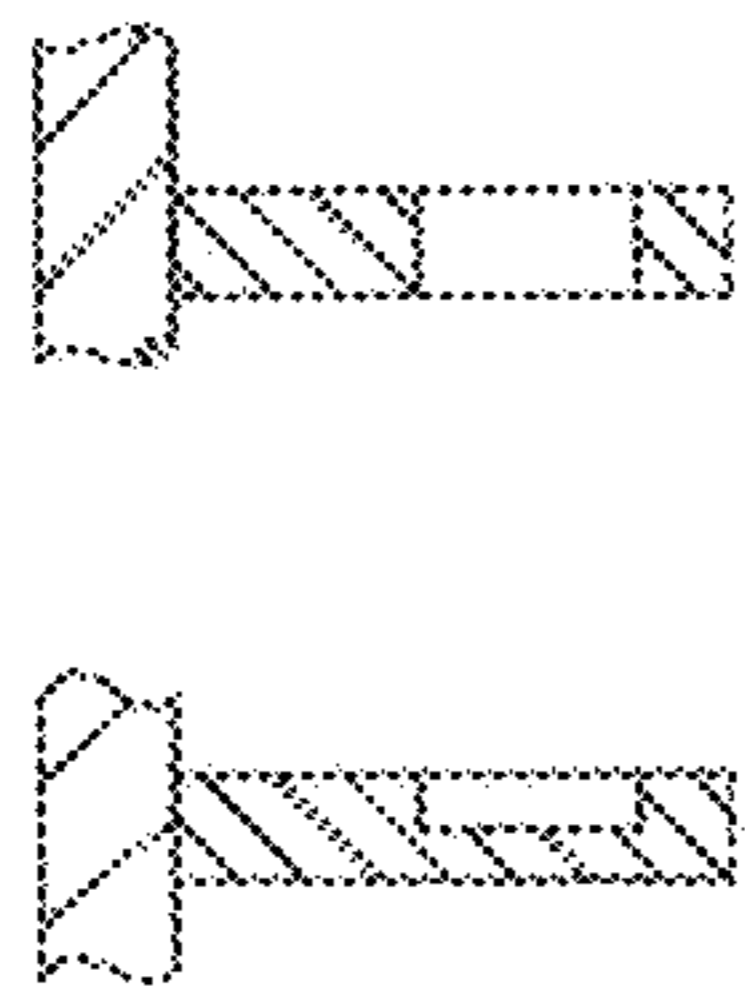


FIG. 10

FIG. 11

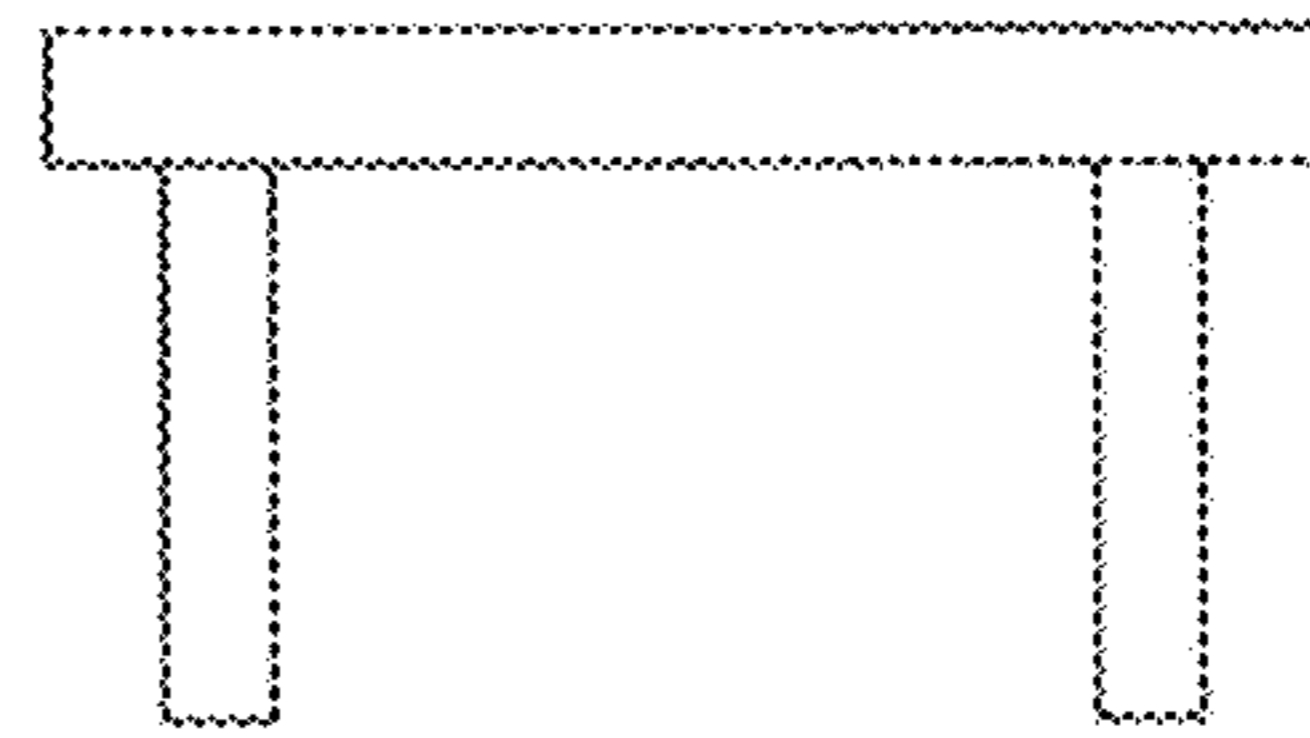


FIG. 12

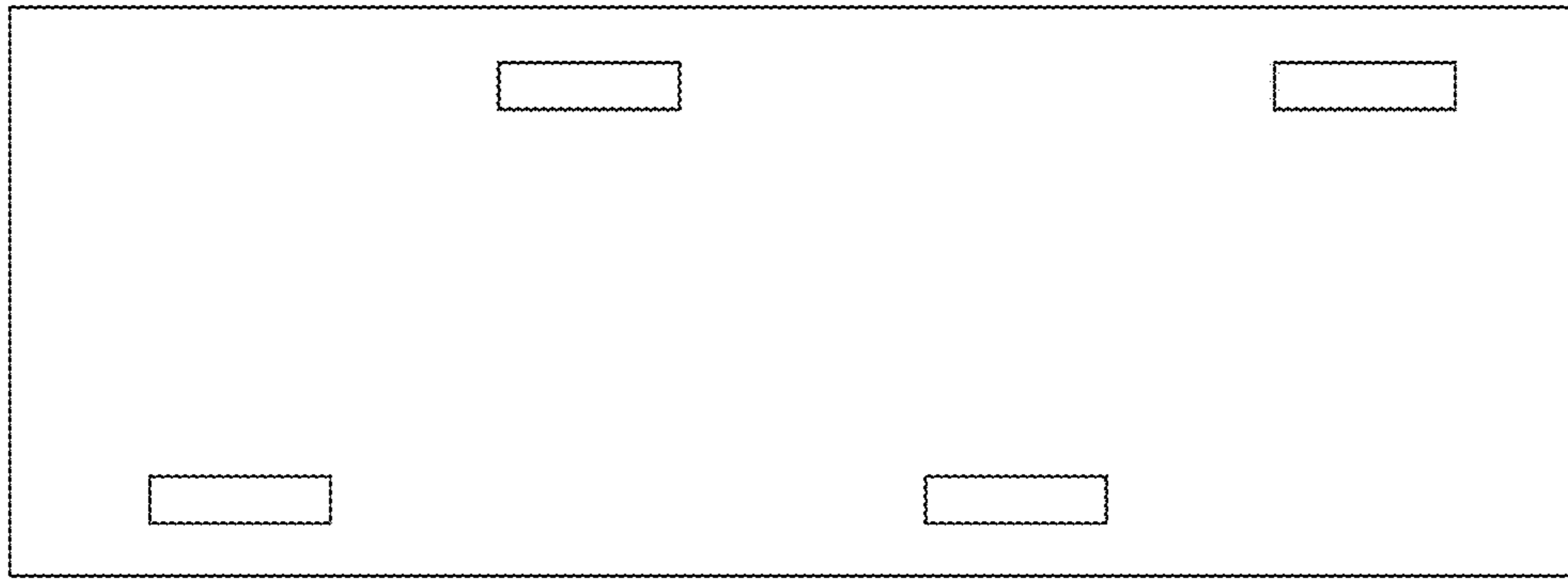


FIG. 13

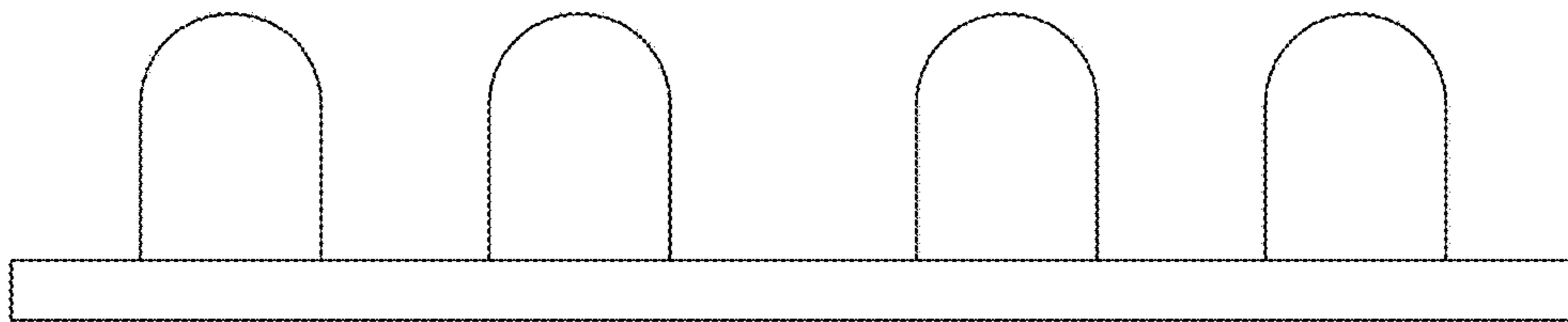


FIG. 14

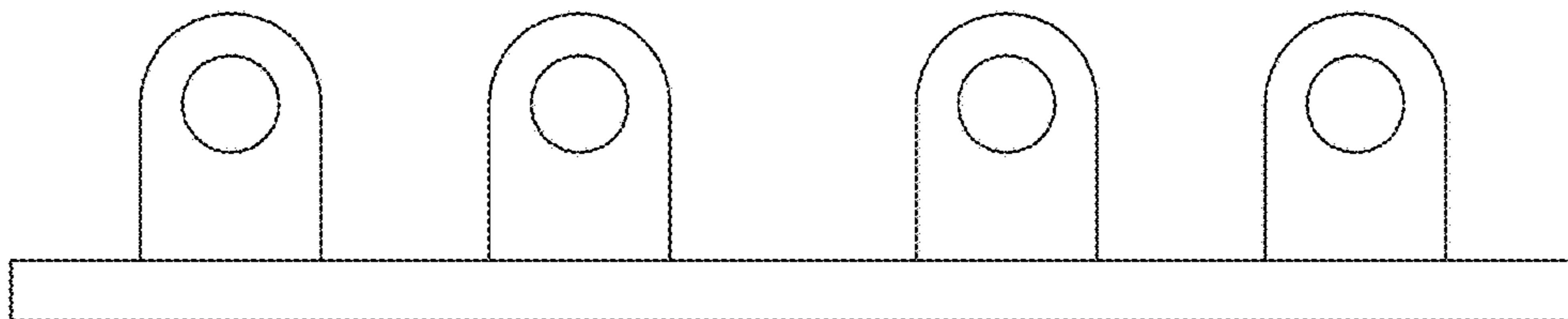


FIG. 15