



US00D852535S

(12) **United States Design Patent**
Goodman

(10) **Patent No.:** **US D852,535 S**
(45) **Date of Patent:** **** Jul. 2, 2019**

- (54) **PAPER TOWEL HOLDER**
- (71) Applicant: **Spectrum Diversified Designs, LLC**,
Streetsboro, OH (US)
- (72) Inventor: **Sheldon H. Goodman**, Solon, OH (US)
- (73) Assignee: **SPECTRUM DIVERSIFIED
DESIGNS, LLC**, Streetsboro, OH (US)
- (**) Term: **15 Years**
- (21) Appl. No.: **29/622,799**
- (22) Filed: **Oct. 19, 2017**
- (51) **LOC (11) Cl.** **20-02**
- (52) **U.S. Cl.**
USPC **D6/521**
- (58) **Field of Classification Search**
USPC D6/518-522; 206/389, 391; 211/13.1,
211/45, 59.1, 89.01; 242/570, 590,
242/597.7; 248/309.1, 309.2
CPC A47K 10/04; A47K 10/02; A47K 10/10;
A47K 10/3836; A47K 2010/324; A47K
2010/389; B08B 1/006
See application file for complete search history.

D794,977 S	8/2017	Goodman et al.	
D811,114 S *	2/2018	Goodman	D6/521
D811,115 S *	2/2018	Goodman	D6/521
D819,360 S *	6/2018	Goodman	D6/521

* cited by examiner

Primary Examiner — Wan Laymon
Assistant Examiner — Mark Booker

(74) *Attorney, Agent, or Firm* — Benesch, Friedlander,
Coplan & Aronoff LLP

(56) **References Cited**
U.S. PATENT DOCUMENTS

D628,836 S *	12/2010	Guindi	D6/521
D758,755 S *	6/2016	Goodman	D6/521

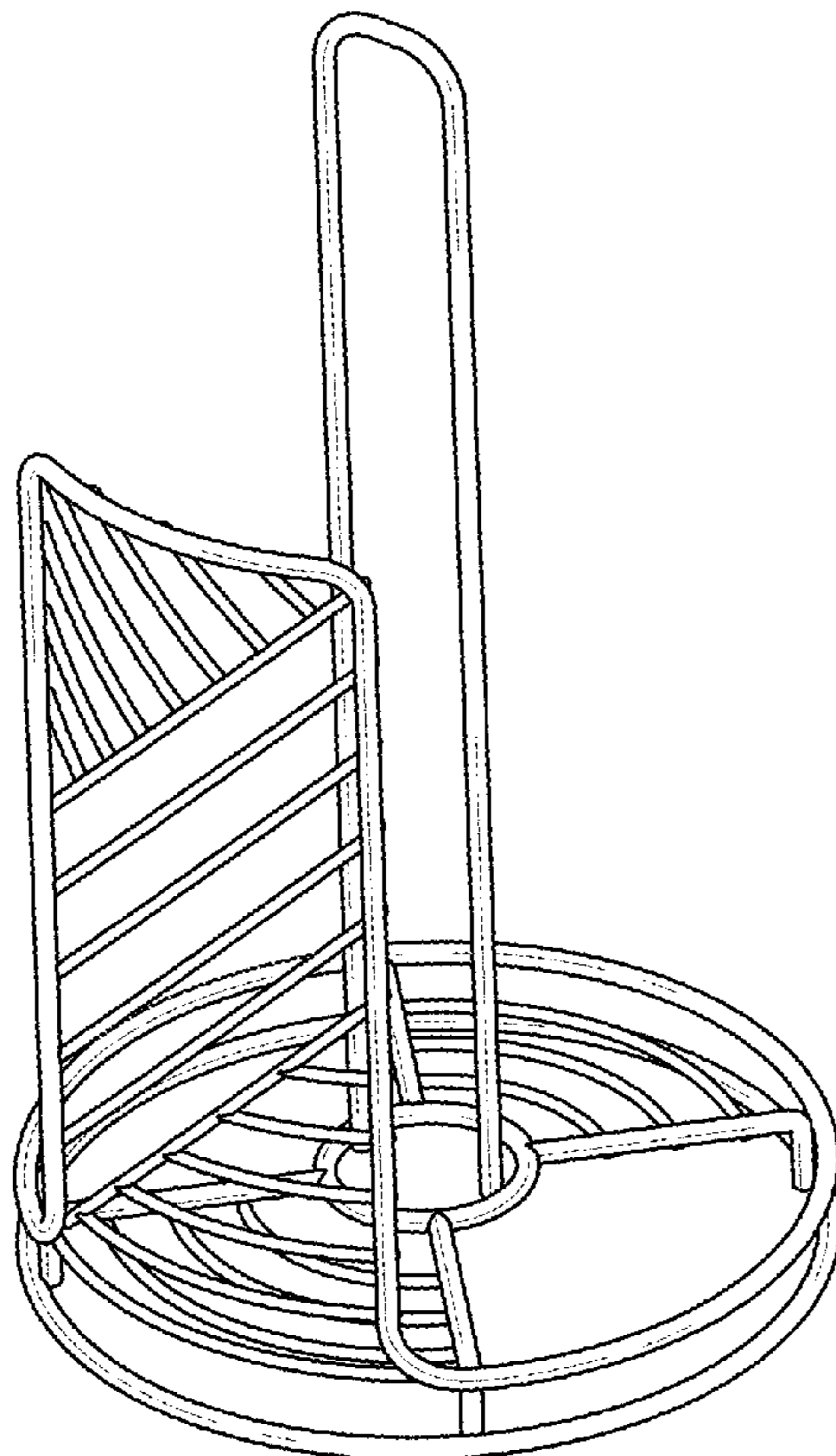
(57) **CLAIM**

The ornamental design for a paper towel holder, as shown and described.

DESCRIPTION

FIG. 1 is a perspective view of a paper towel holder showing a new design;
FIG. 2 is a front view of the paper towel holder of FIG. 1;
FIG. 3 is a rear view of the paper towel holder of FIG. 1;
FIG. 4 is a side view of the paper towel holder of FIG. 1;
FIG. 5 is a top view of the paper towel holder of FIG. 1; and,
FIG. 6 is a bottom view of the paper towel holder of FIG. 1.

1 Claim, 4 Drawing Sheets



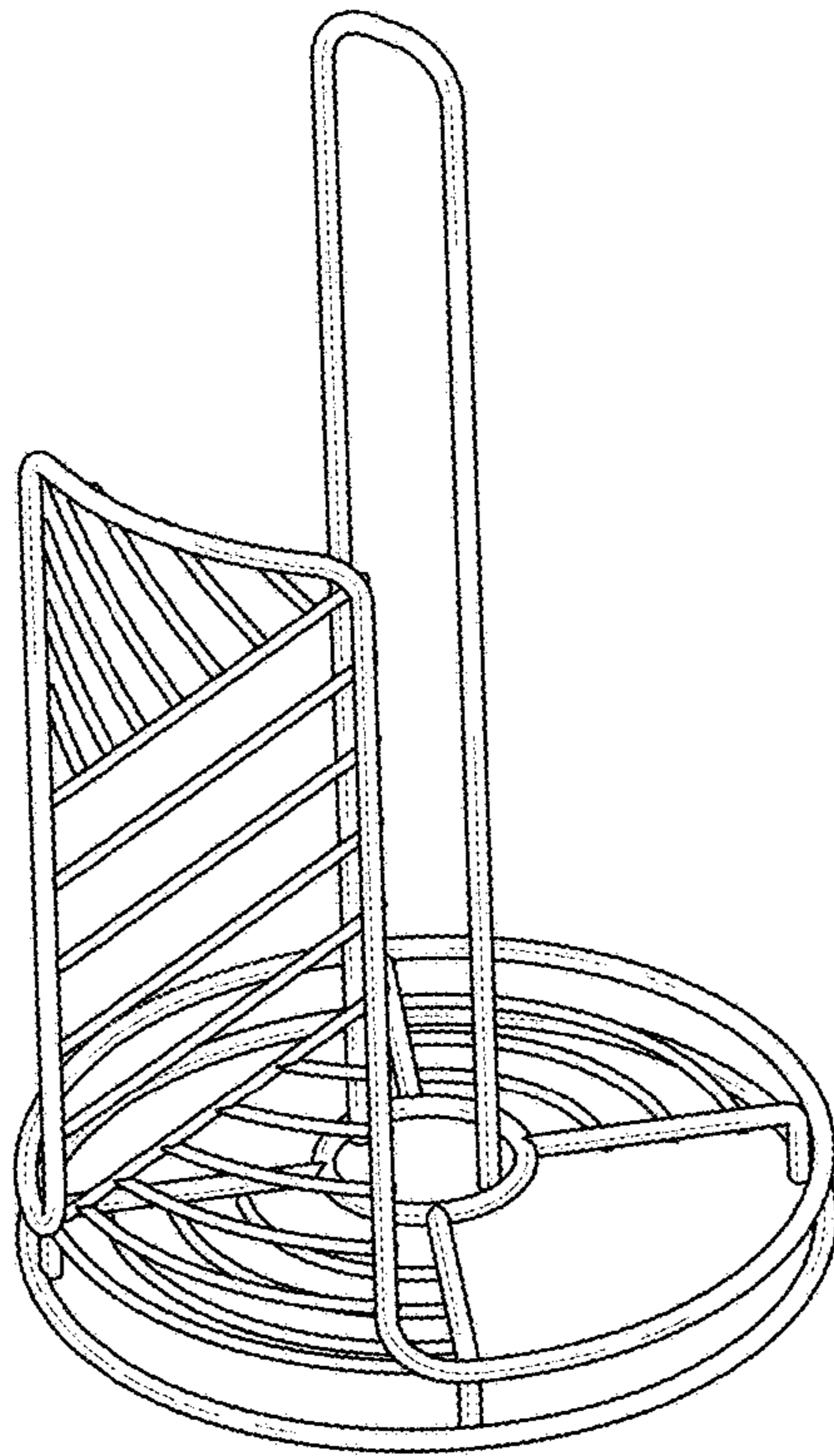


FIG. 1

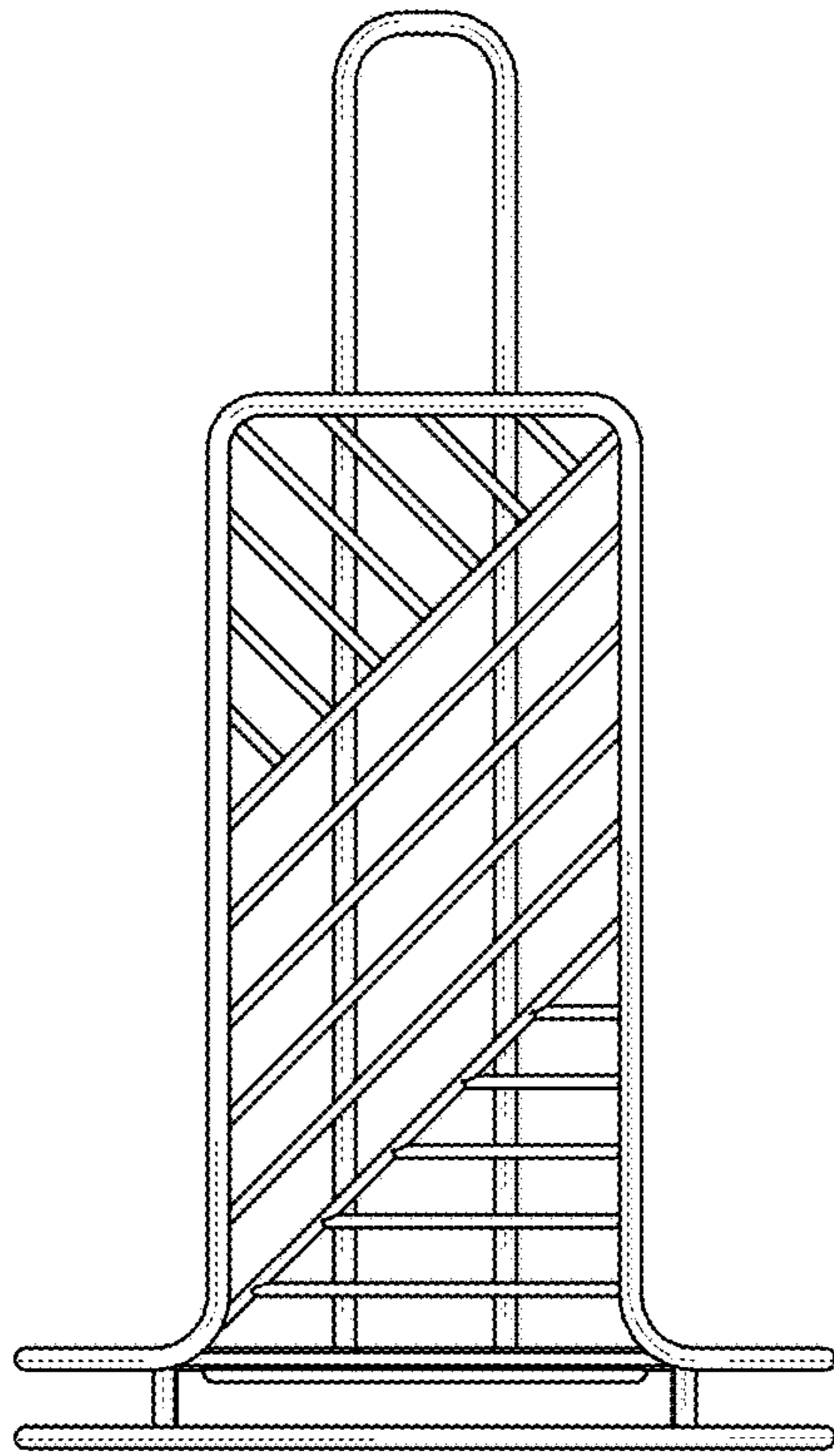


FIG. 2

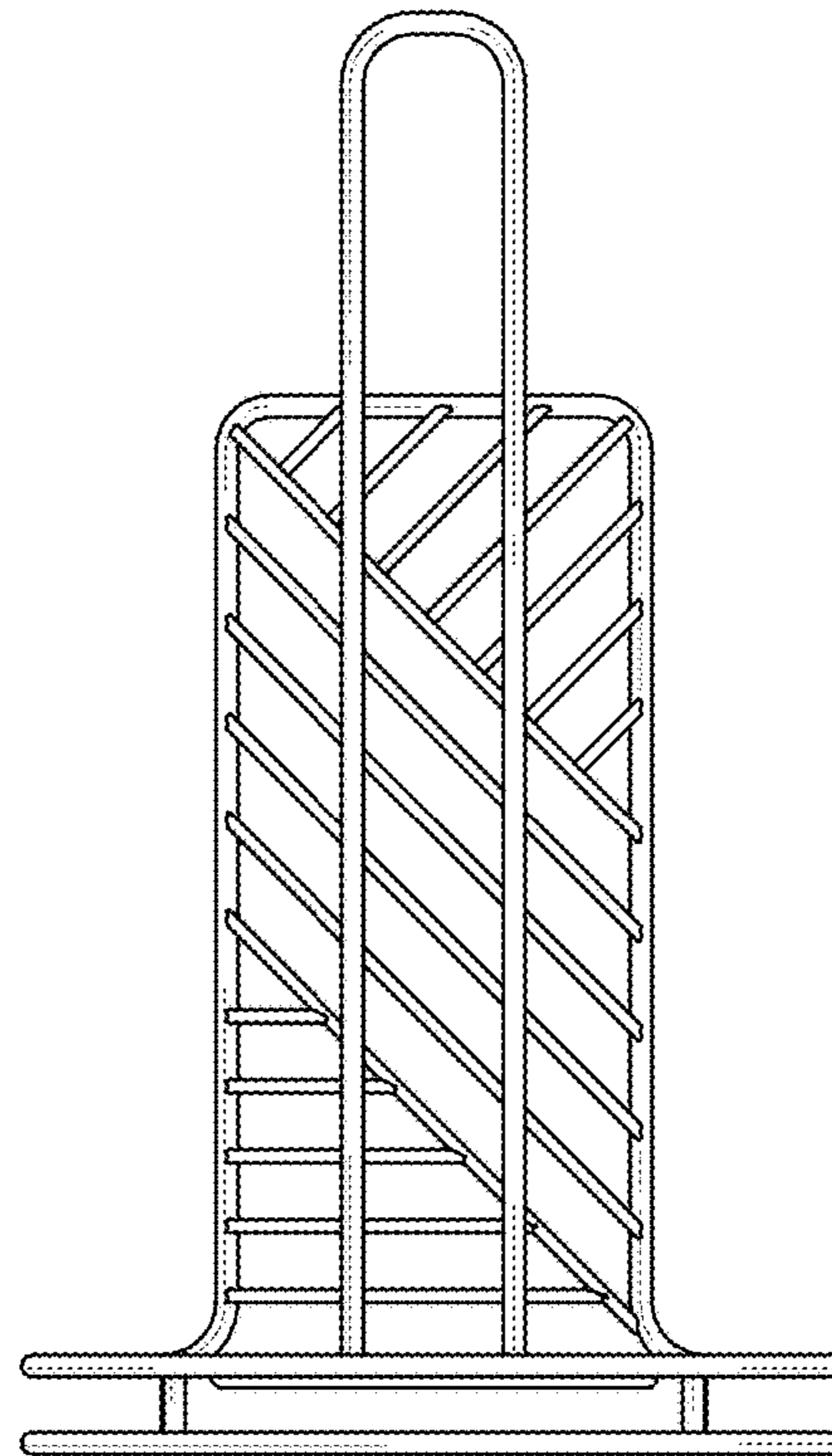


FIG. 3

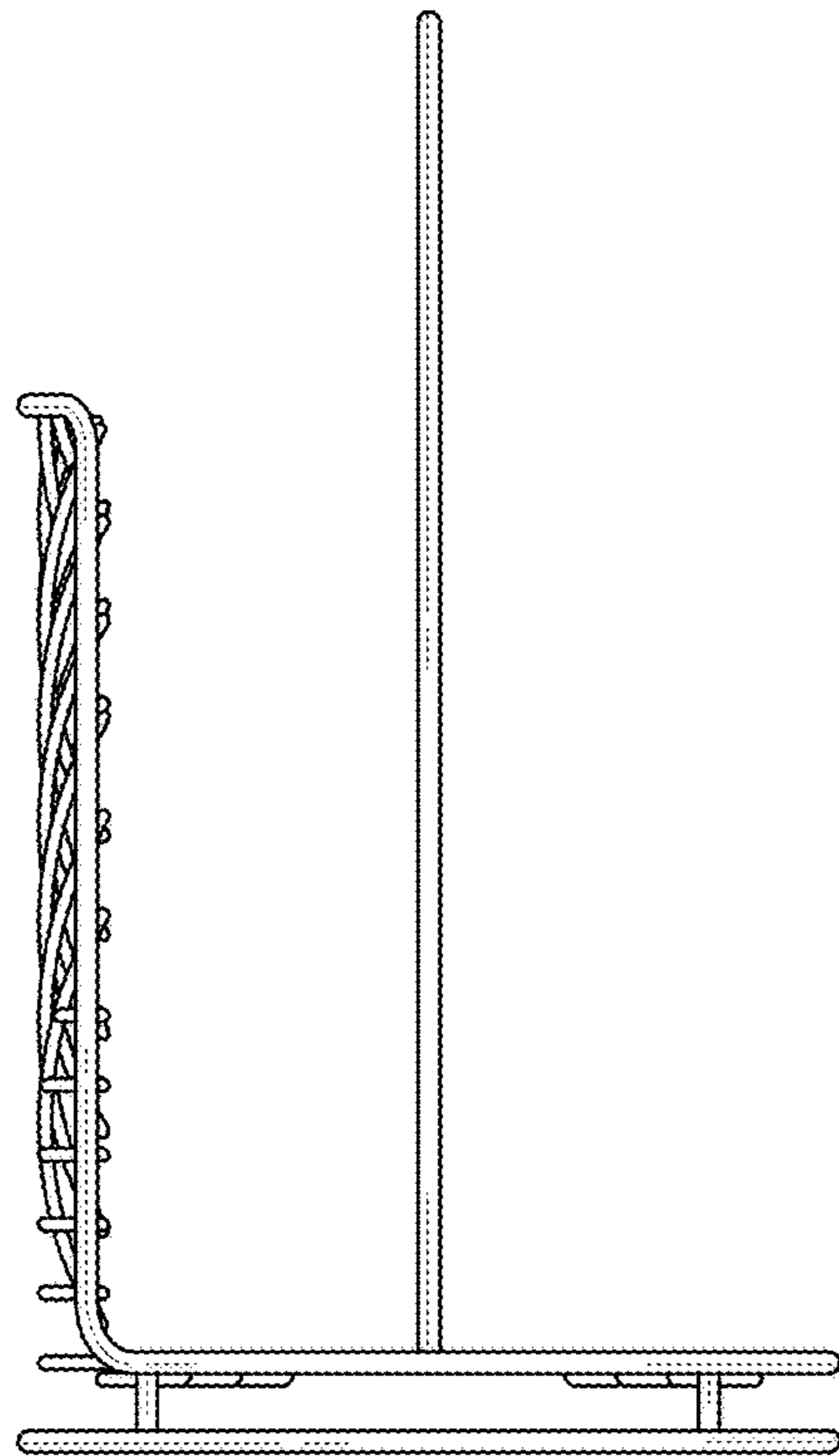


FIG. 4

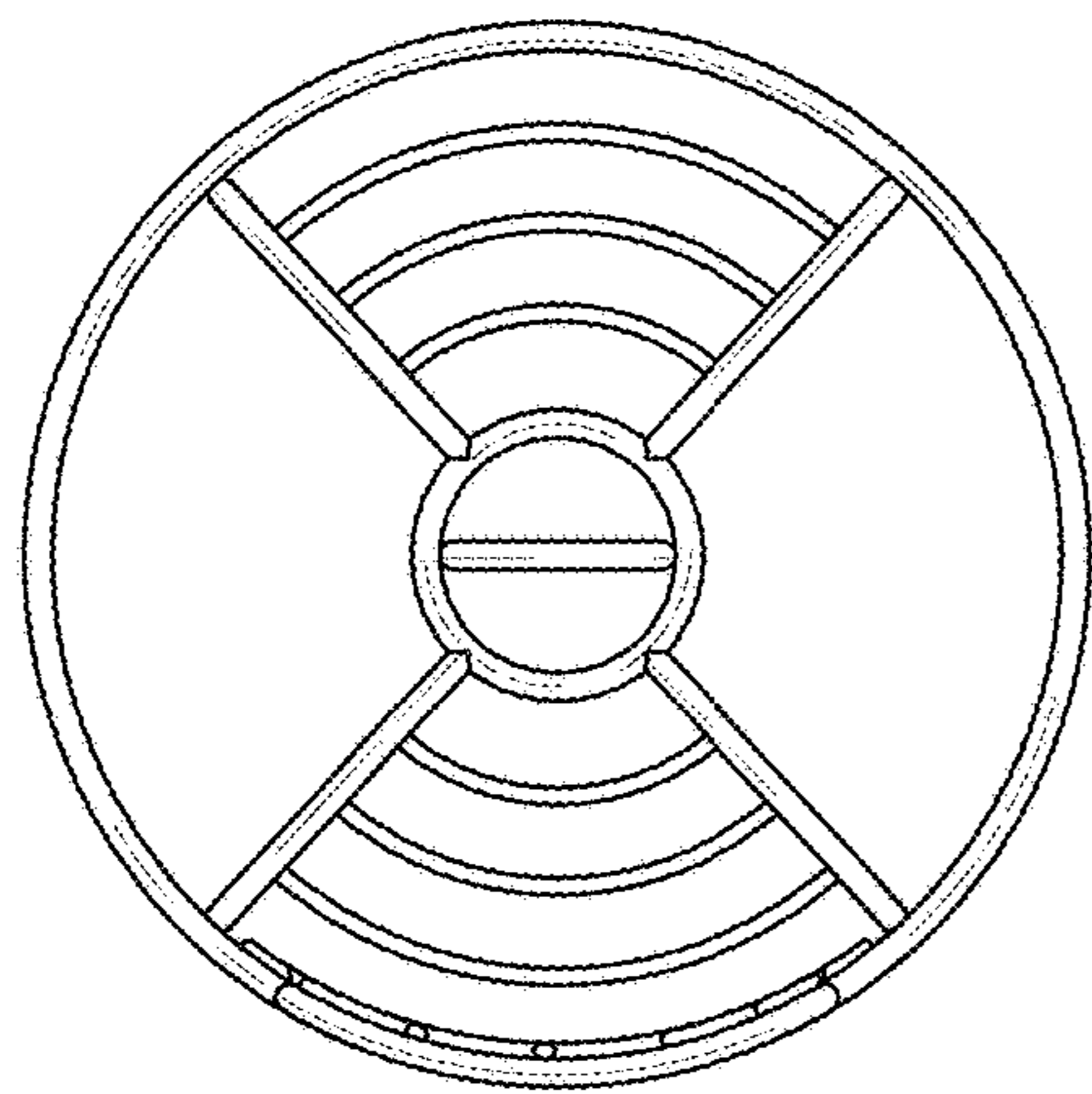


FIG. 5

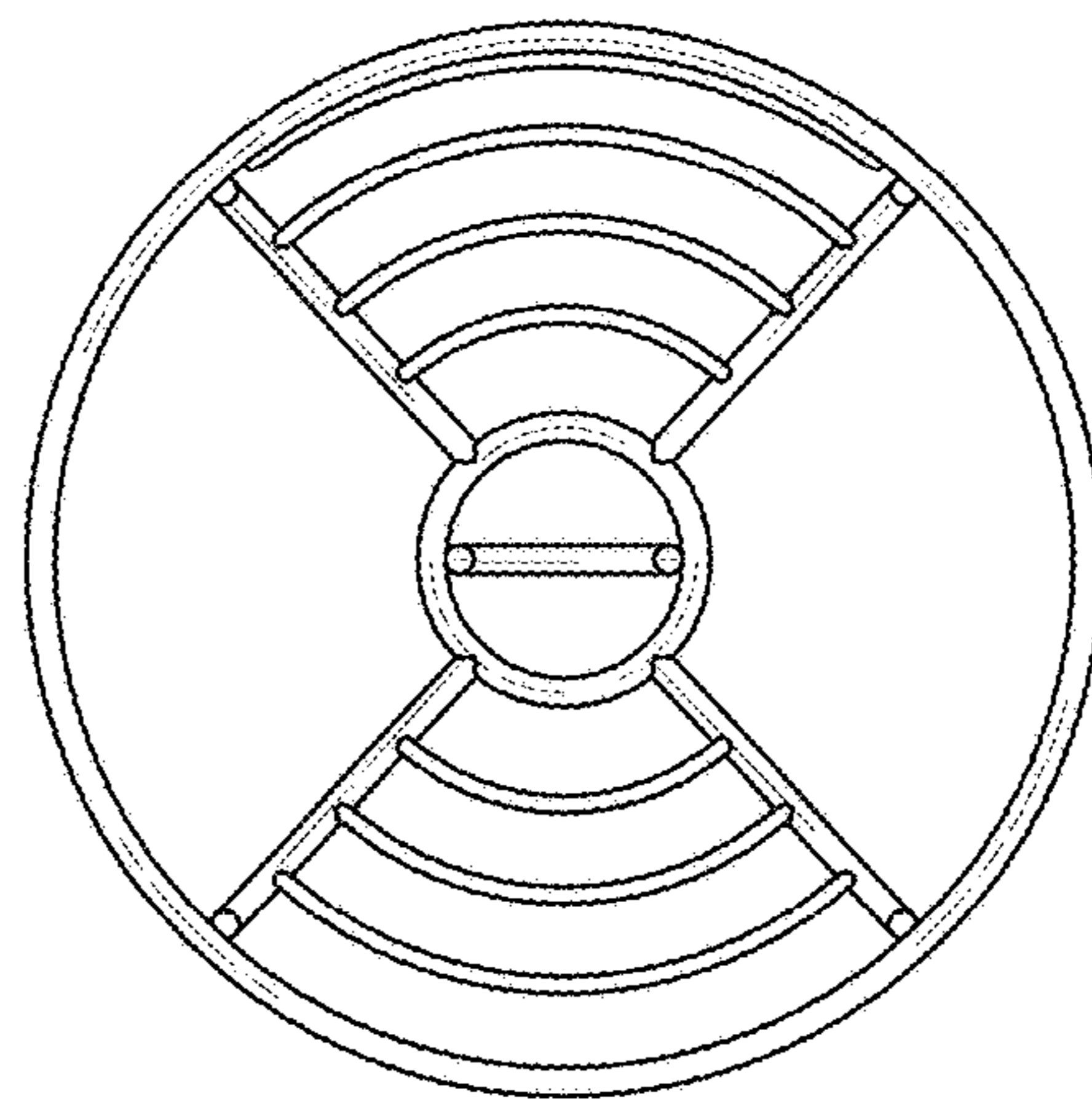


FIG. 6