

US00D852534S

(12) **United States Design Patent**
Jin

(10) **Patent No.:** **US D852,534 S**

(45) **Date of Patent:** **** Jul. 2, 2019**

(54) **FOLDING BED**

(71) Applicant: **Xingfang Jin**, Zhejiang (CN)

(72) Inventor: **Xingfang Jin**, Zhejiang (CN)

(**) Term: **15 Years**

(21) Appl. No.: **29/614,358**

(22) Filed: **Aug. 18, 2017**

(51) **LOC (11) Cl.** **06-02**

(52) **U.S. Cl.**
USPC **D6/382**

(58) **Field of Classification Search**
USPC D6/360, 361, 382, 392, 709, 710, 711,
D6/711.1; D12/128; D30/118
CPC A47C 17/64; A47C 17/645; A47C 17/68;
A47C 19/005; A47C 19/12
See application file for complete search history.

(56) **References Cited**

U.S. PATENT DOCUMENTS

- 2,646,577 A * 7/1953 Thayer A47C 17/68
5/111
- 2,670,478 A * 3/1954 Gilfillan A47C 17/70
5/114
- 2,682,670 A * 7/1954 Crump A47C 17/64
5/625
- 2,871,489 A * 2/1959 Emmert A47C 17/70
108/156
- 3,019,455 A * 2/1962 Carte A47C 17/64
5/214
- 3,134,987 A * 6/1964 Bertram A47C 17/645
5/111
- 3,426,367 A * 2/1969 Bradford A47C 17/645
403/108
- 3,543,310 A * 12/1970 Smith A47C 17/64
297/440.11
- 3,965,502 A * 6/1976 Bertram A47C 17/645
5/111
- 4,219,896 A * 9/1980 Behel A47C 17/70
5/110

- D286,709 S * 11/1986 Schultz D6/361
- 5,010,610 A * 4/1991 Ackley A47C 17/64
5/420
- D320,891 S * 10/1991 Frinier D6/361
- 5,109,556 A * 5/1992 Cook A47C 19/005
5/110

(Continued)

OTHER PUBLICATIONS

Moon Lence Portable Ultralight Compact Camping Bed, Best Tent Cots for Camping, by Jovo, Jul. 19, 2017, site visited Jul. 30, 2018, available online at <https://besttentcotsforcamping.com/moon-lence-portable-ultralight-compact-camping-cot-bed> (Year: 2017).*

(Continued)

Primary Examiner — Cathron C Brooks

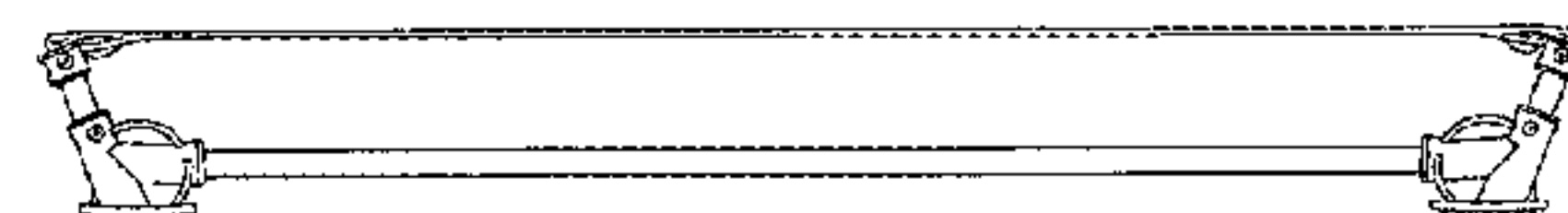
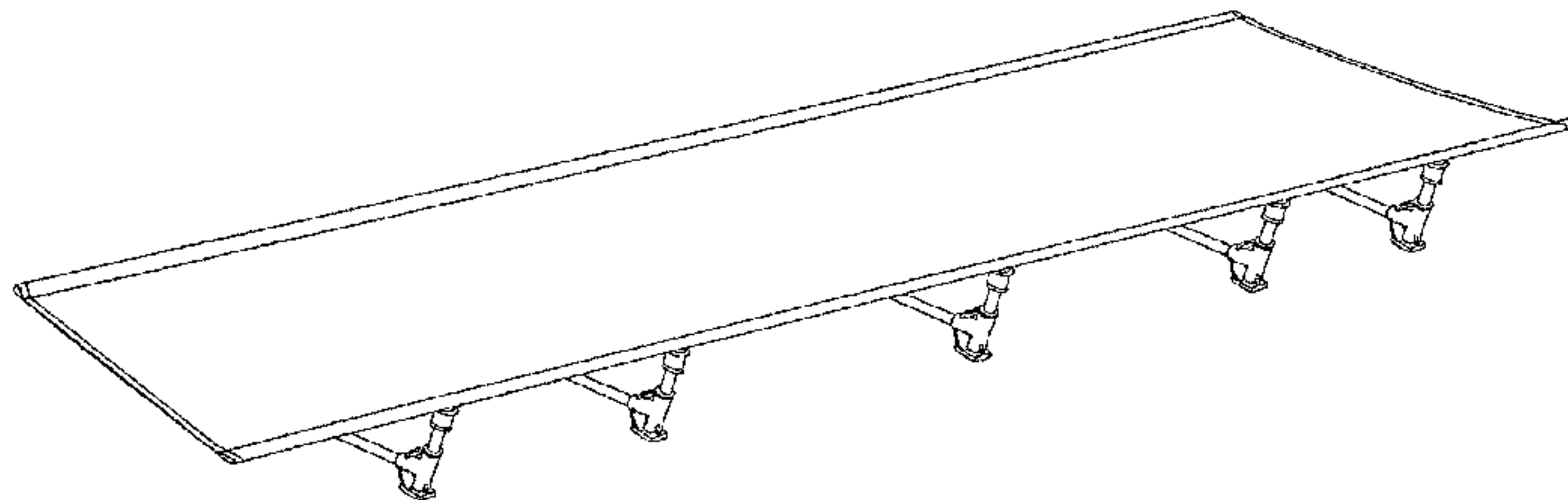
(57) **CLAIM**

The ornamental design for folding bed, as shown and described.

DESCRIPTION

FIG. 1 is a perspective view of folding bed showing my new design;
FIG. 2 is an enlarged partial top plan view, shown without the center portion of the bed so that the details can be shown at a larger scale;
FIG. 3 is a bottom plan view thereof;
FIG. 4 is a left side elevation view thereof;
FIG. 5 is a right side elevation view thereof;
FIG. 6 is a rear elevation thereof; and,
FIG. 7 is a front elevation view thereof.
The broken lines on the underside of the folding bed representing stitching are part of the claimed design.
The drafting break lines shown in FIGS. 2-5 are for the purpose of showing the views at a larger scale, and form no part of the claimed design.

1 Claim, 7 Drawing Sheets



(56)

References Cited

U.S. PATENT DOCUMENTS

5,246,265 A * 9/1993 Nagan A47C 3/38
 297/31
 D407,575 S * 4/1999 Meoli, Jr. D6/392
 D411,387 S * 6/1999 Zheng D6/361
 7,313,835 B1 * 1/2008 Hodges A47C 17/645
 5/111
 8,806,675 B2 * 8/2014 Lah A47C 19/12
 5/111
 D738,132 S * 9/2015 Citterio D6/392
 D744,253 S * 12/2015 Lah D6/382
 D744,254 S * 12/2015 Lah D6/382
 D744,255 S * 12/2015 Lah D6/382
 D744,269 S * 12/2015 Lah D6/709.2
 D744,270 S * 12/2015 Lah D6/709.2
 D748,407 S * 2/2016 Akkad D6/392
 2014/0115780 A1 * 5/2014 Lah A47C 19/12
 5/111
 2018/0014654 A1 * 1/2018 Yang A47C 17/70

OTHER PUBLICATIONS

Suyi Ultralight Camping Bed, Best Tent Cots for Camping, by Jovo, Sep. 17, 2017, site visited Jul. 27, 2018, available online at <https://besttentcotsforcamping.com/suyi-ultralight-portable-folding-single-camp-cot/> suyi-ultralight-portable-folding-single-camp-bed-travel-cot-bars-and-feet (Year: 2017).*

* cited by examiner

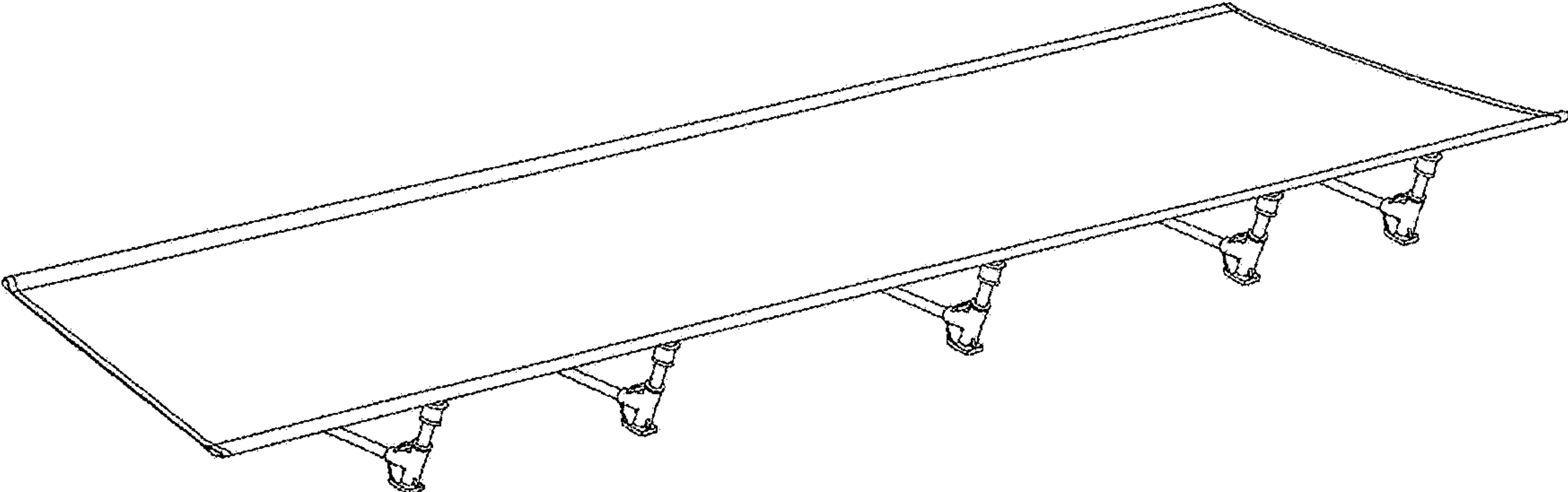


FIG.1

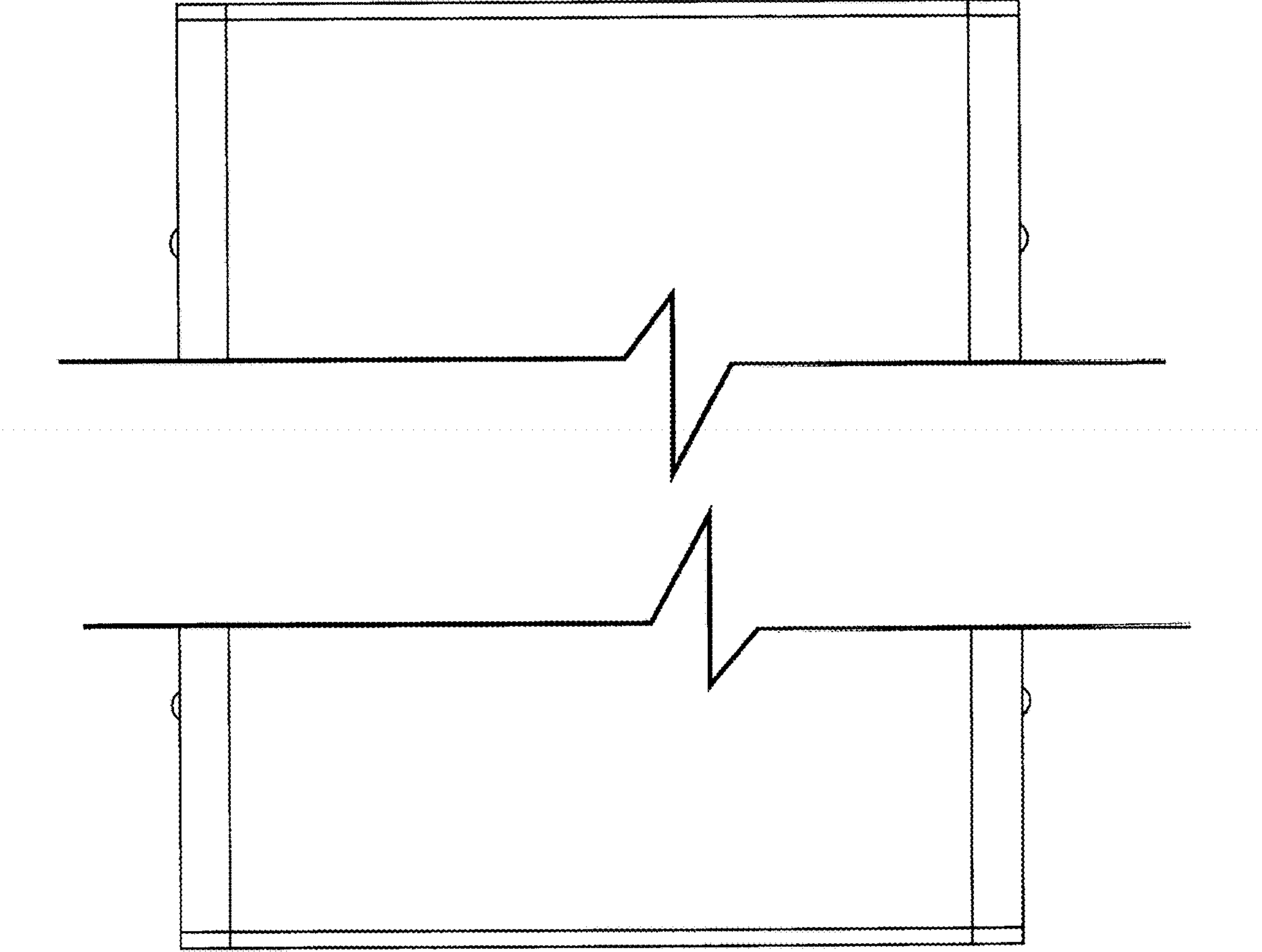


FIG.2

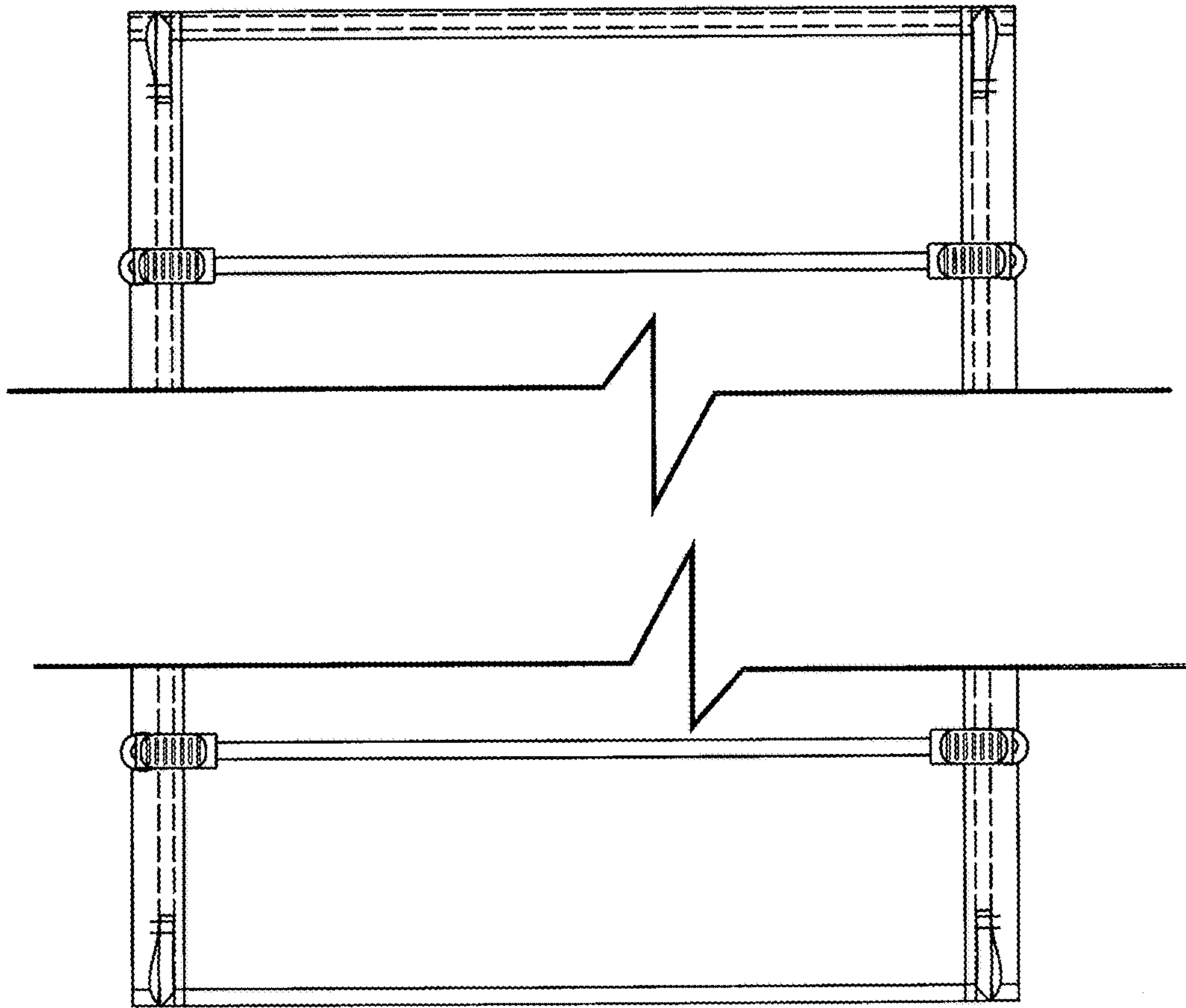


FIG.3

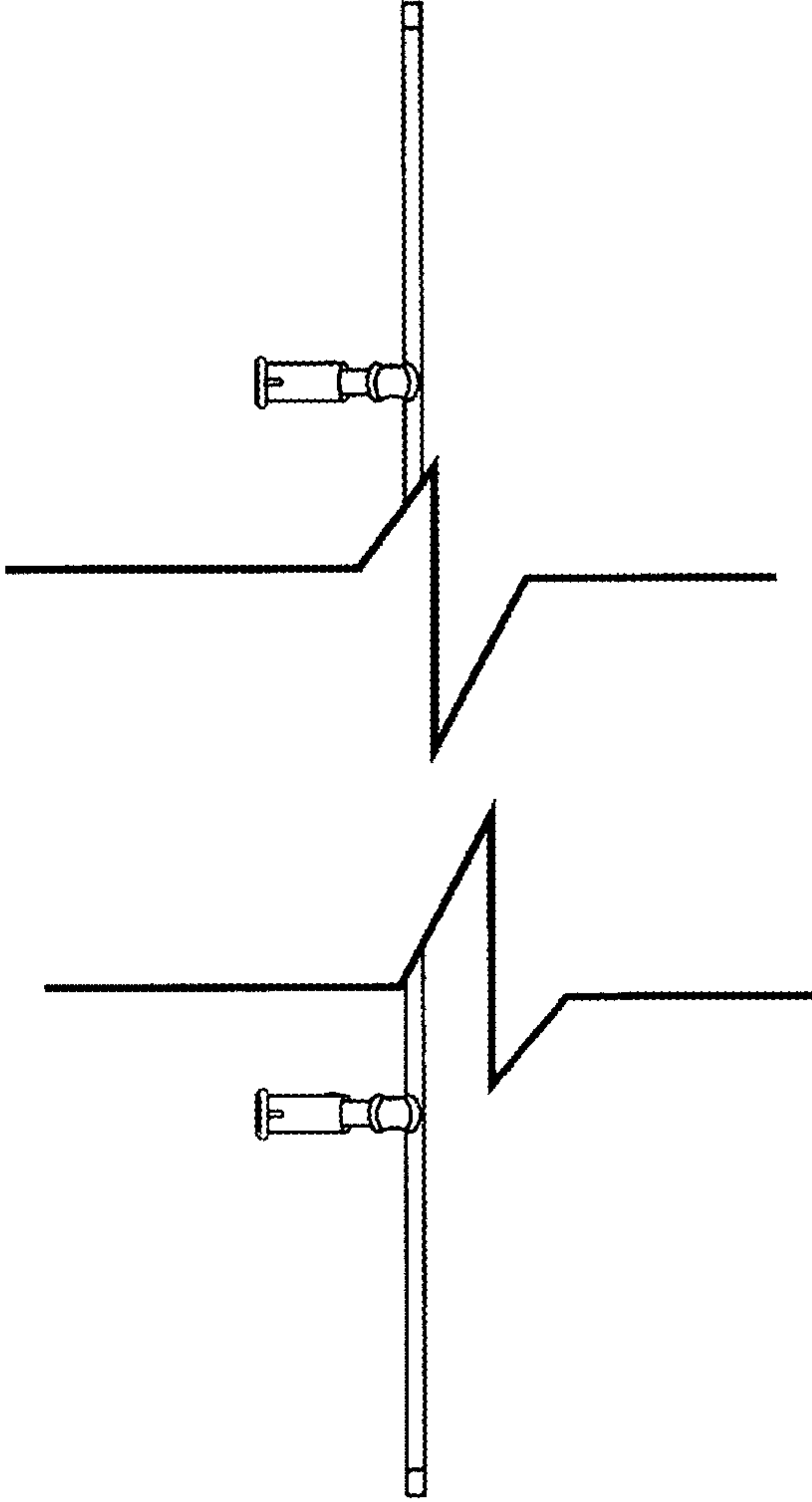


FIG.4

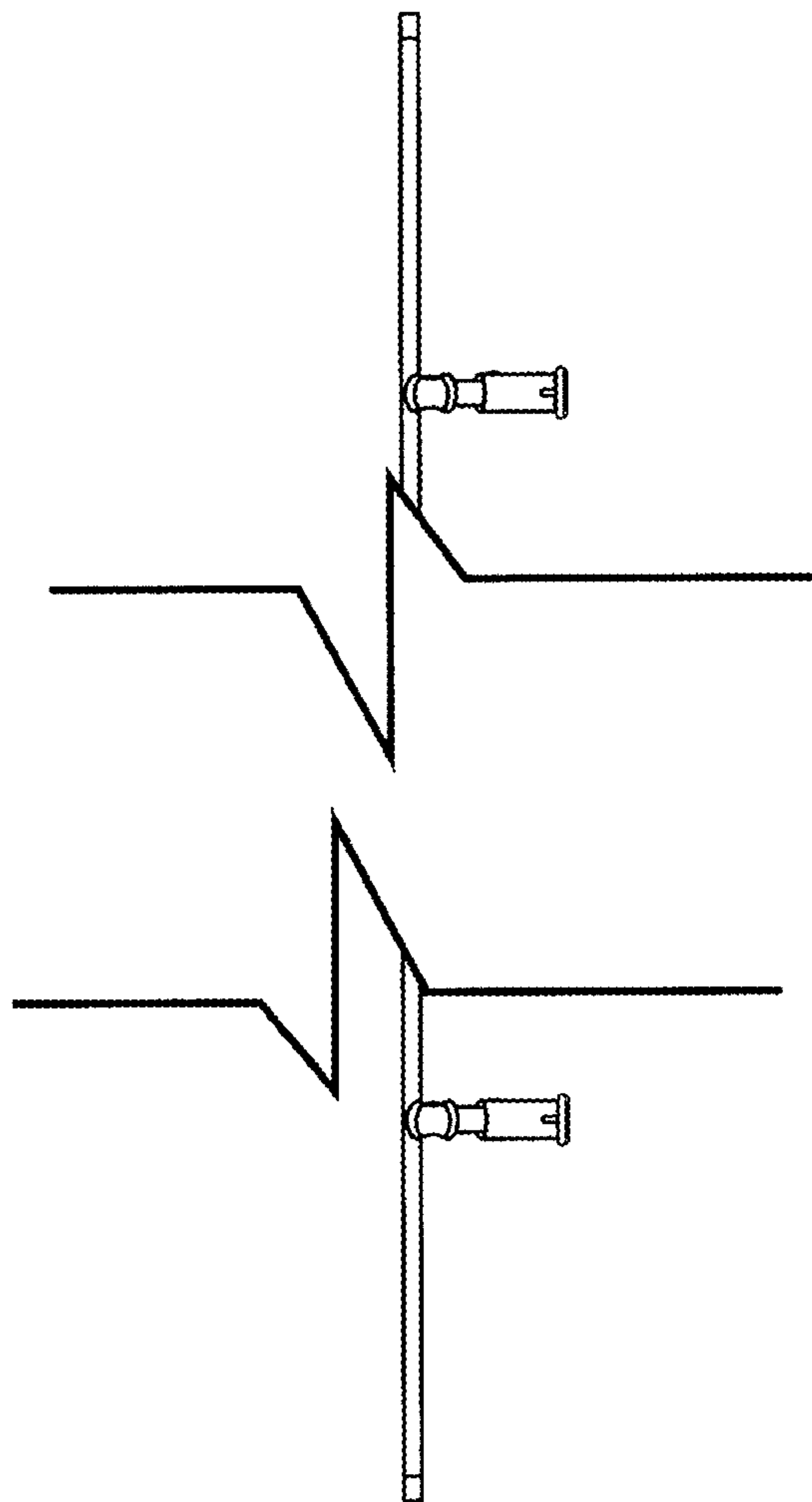


FIG.5

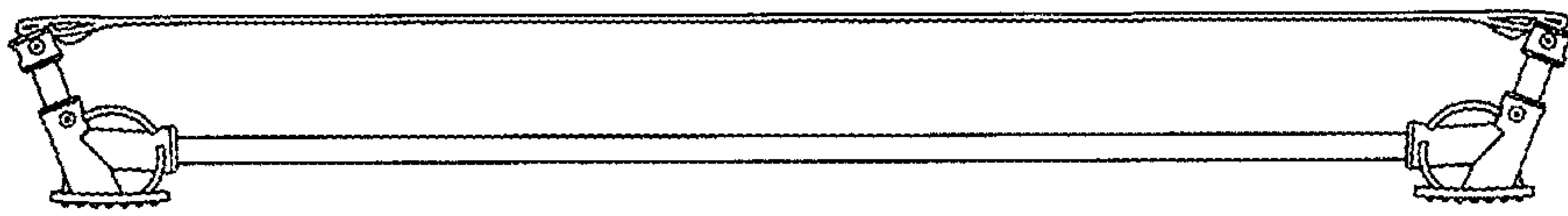


FIG.6

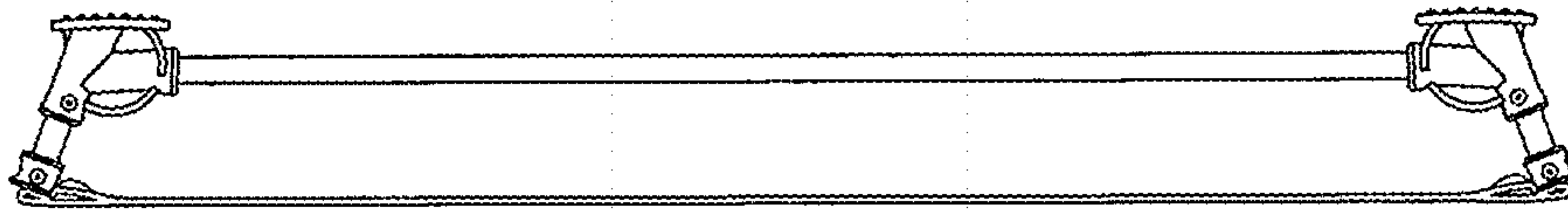


FIG. 7