



US00D852533S

(12) **United States Design Patent** (10) **Patent No.:** **US D852,533 S**
Asner (45) **Date of Patent:** **** Jul. 2, 2019**

(54) **SUMMIT STACKING LOUNGE CHAIR**

(71) Applicant: **COUNTRY CASUAL TEAK, INC.**,
Gaithersburg, MD (US)

(72) Inventor: **Kimberly E. Asner**, Baltimore, MD
(US)

(73) Assignee: **Country Casual Teak, Inc.**,
Gaithersburg, MD (US)

(*) Notice: This patent is subject to a terminal disclaimer.

(**) Term: **15 Years**

(21) Appl. No.: **29/595,678**

(22) Filed: **Mar. 1, 2017**

(51) **LOC (11) Cl.** **06-01**

(52) **U.S. Cl.**
USPC **D6/379; D6/380**

(58) **Field of Classification Search**
USPC D6/334-336, 369, 370, 371-373, 374,
D6/376, 379, 380, 716, 716.1, 716.3,
D6/716.4

CPC A47C 4/02; A47C 4/03; A47C 4/08; A47C
4/025; A47C 7/16; A47C 7/54; A47C
7/282

See application file for complete search history.

(56) **References Cited**

U.S. PATENT DOCUMENTS

D309,991 S * 8/1990 Miller D6/379
D446,956 S * 8/2001 Black D6/369

D579,052 S * 10/2008 Ciani D6/379
D648,556 S * 11/2011 Frinier D6/380
D670,101 S * 11/2012 Krusin D6/379
D688,889 S * 9/2013 Pedersen D6/379
D690,952 S * 10/2013 Becker D6/374
D693,591 S * 11/2013 Pedersen D6/379
D732,302 S * 6/2015 Lange D6/379
D761,034 S * 7/2016 Asner D6/379
D781,611 S * 3/2017 Westfall D6/379
D807,659 S * 1/2018 Baylar D6/379
D835,427 S * 12/2018 Inovero D6/370

* cited by examiner

Primary Examiner — Mimosa De

(74) *Attorney, Agent, or Firm* — Rosenberg, Klein & Lee

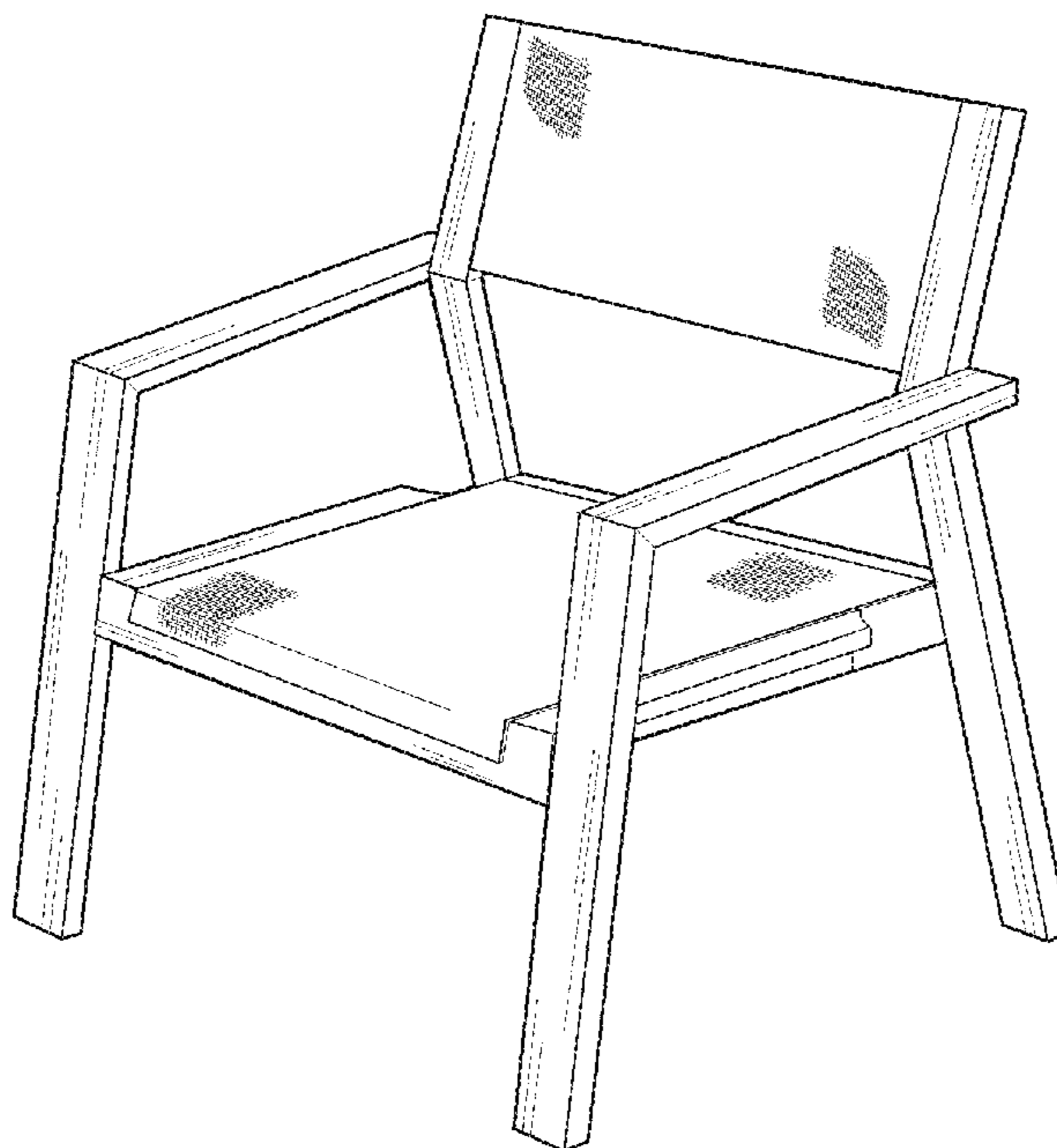
(57) **CLAIM**

The ornamental design for a summit stacking lounge chair, as shown and described.

DESCRIPTION

FIG. 1 is a front perspective view of a summit stacking lounge chair, showing my new design; FIG. 2 is a right elevational view thereof, the left elevational view being a mirror image of the right elevational view thereof; FIG. 3 is a front elevational view thereof; FIG. 4 is a bottom plan view thereof; FIG. 5 is a top plan view thereof; and, FIG. 6 is a rear elevational view thereof. The broken line portion of the figure drawings is included to show unclaimed subject matter only and forms no part of the claimed design.

1 Claim, 6 Drawing Sheets



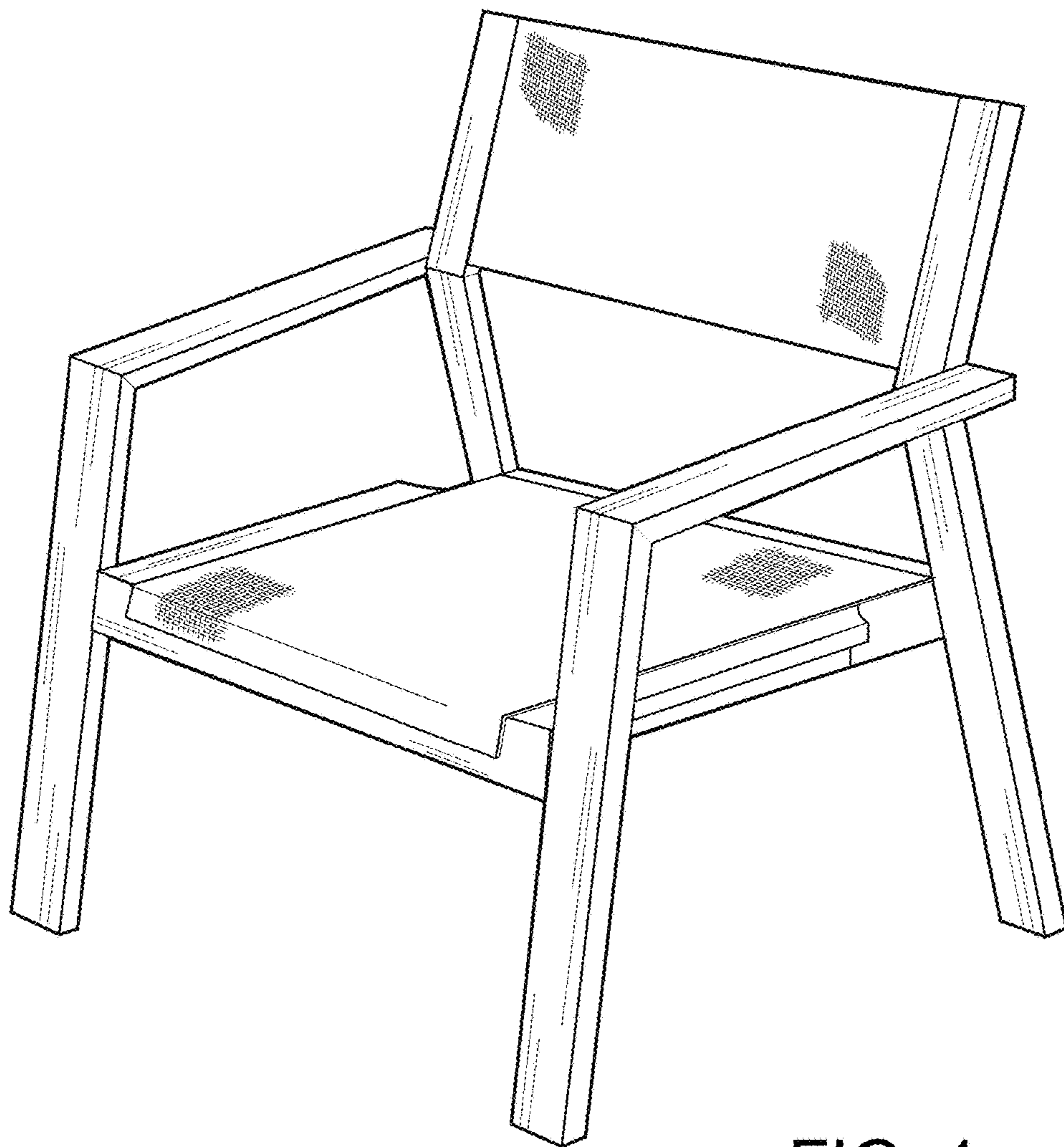


FIG. 1

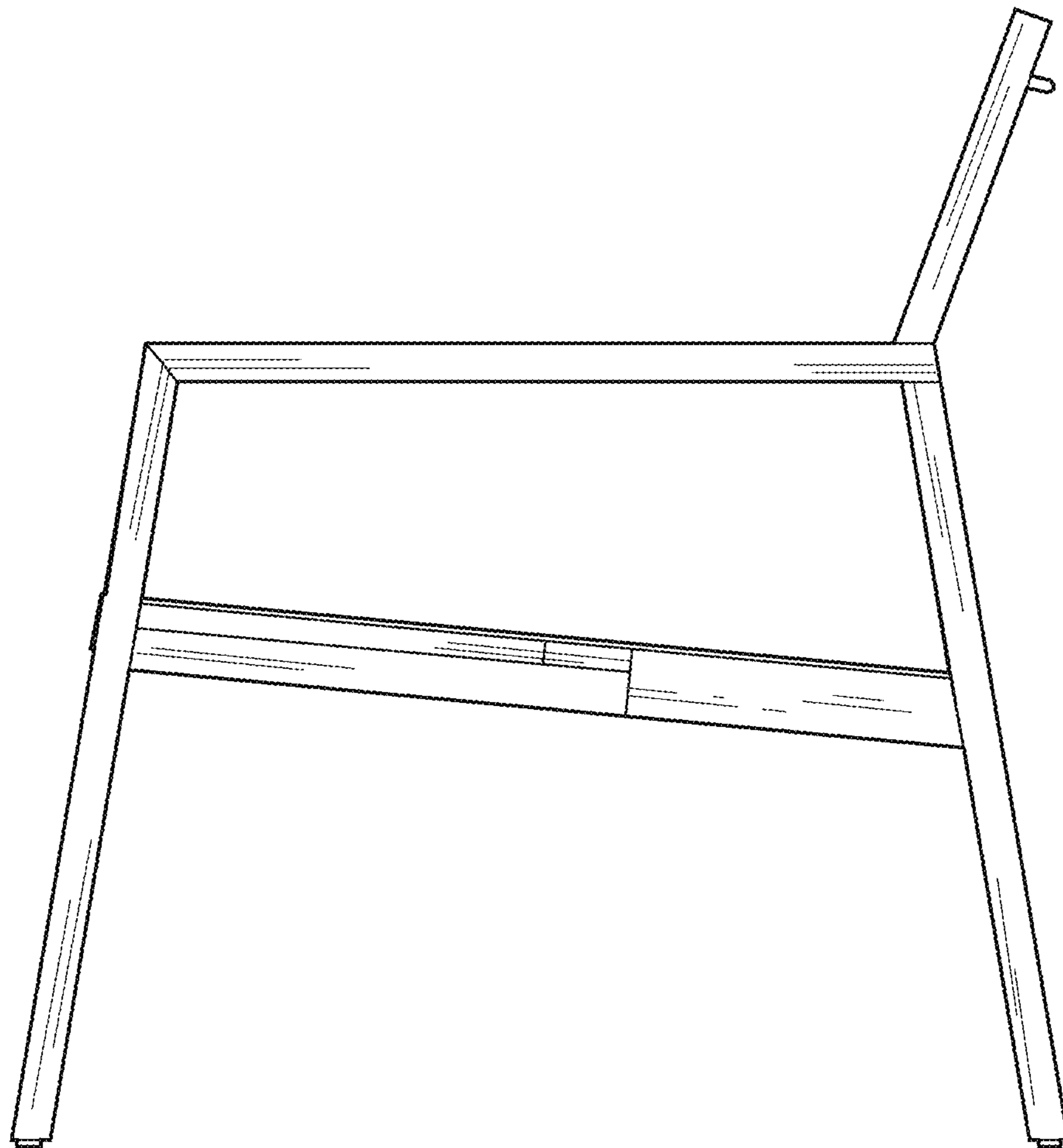


FIG. 2

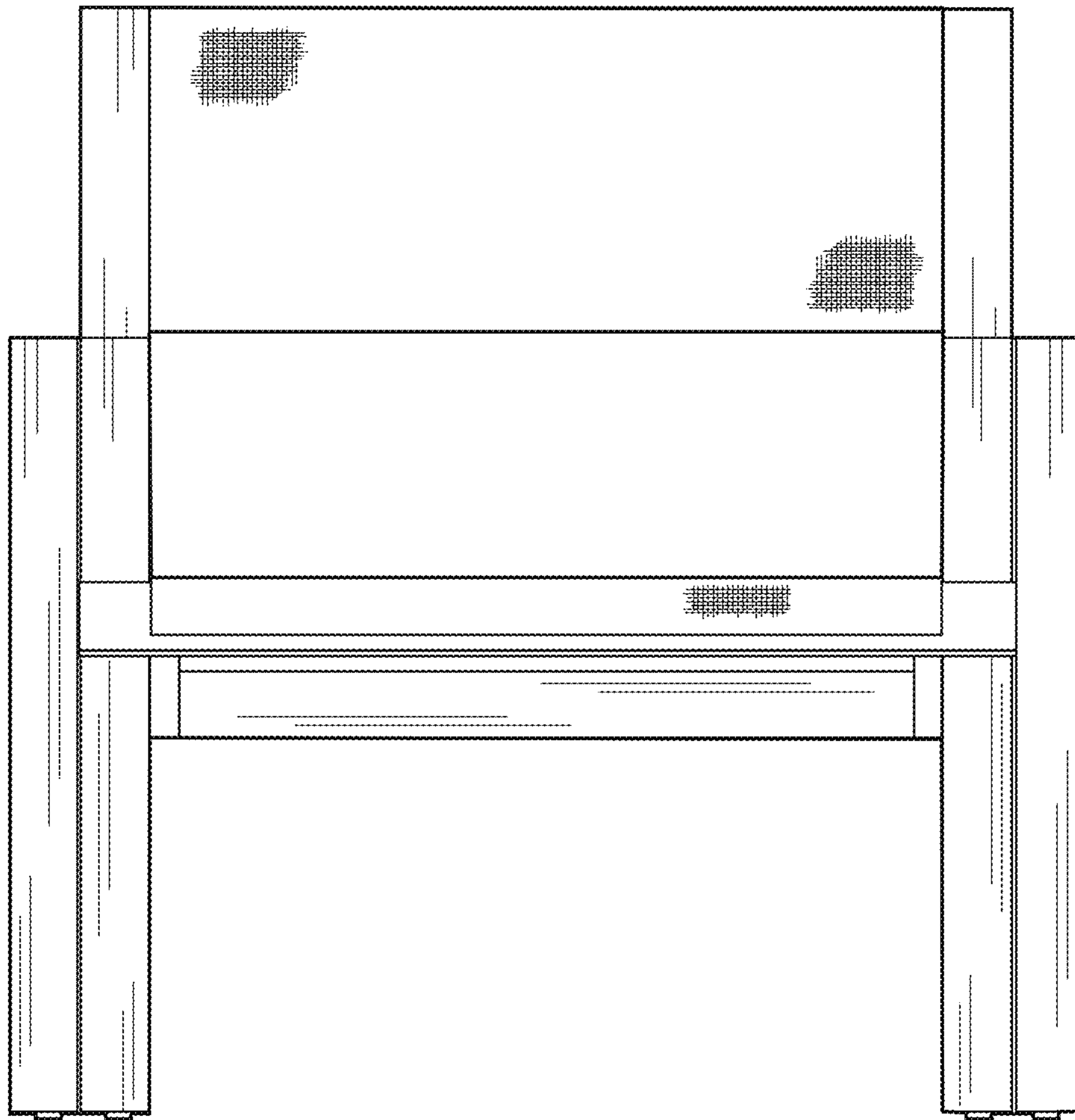


FIG. 3

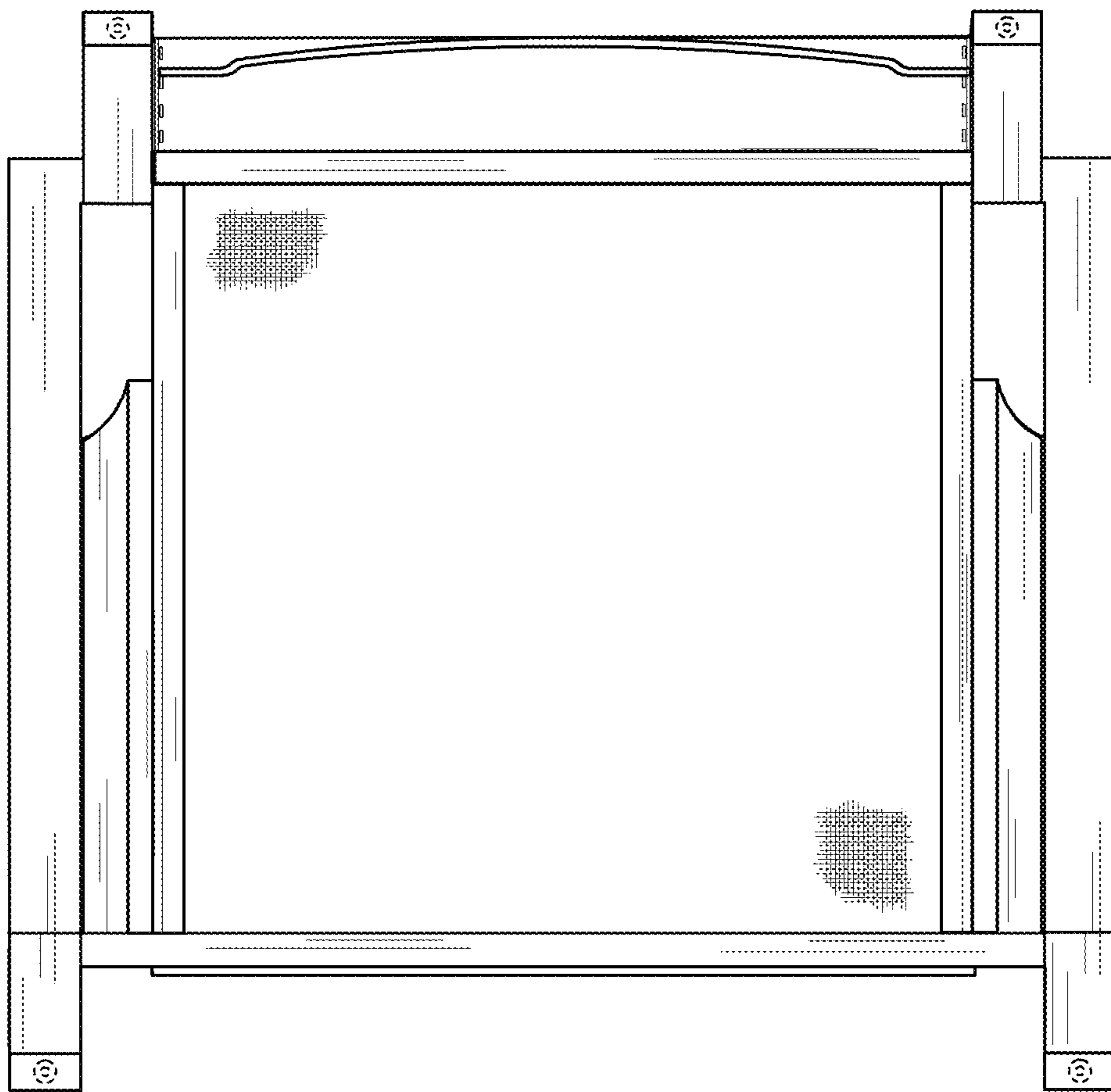


FIG. 4

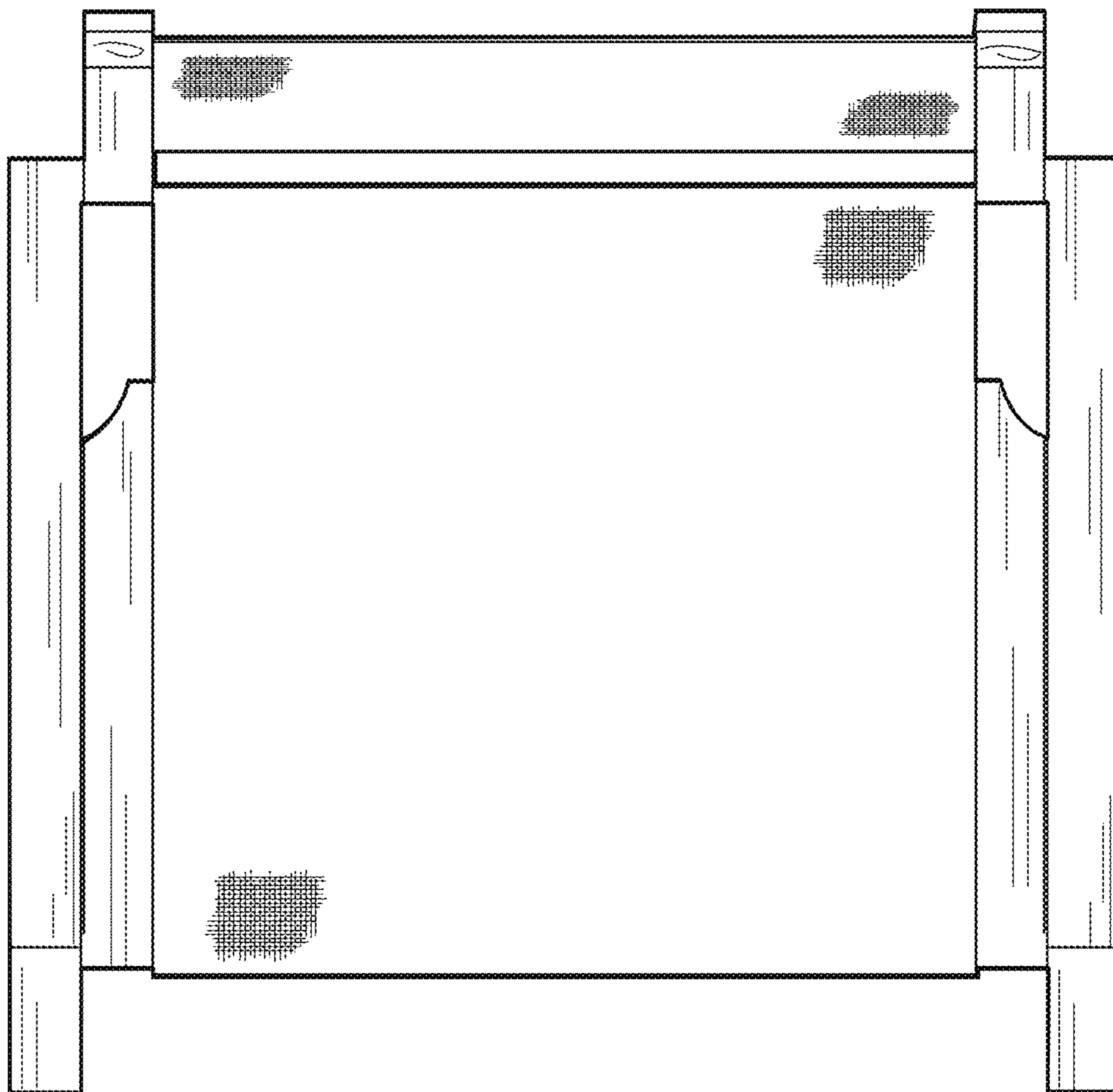


FIG. 5

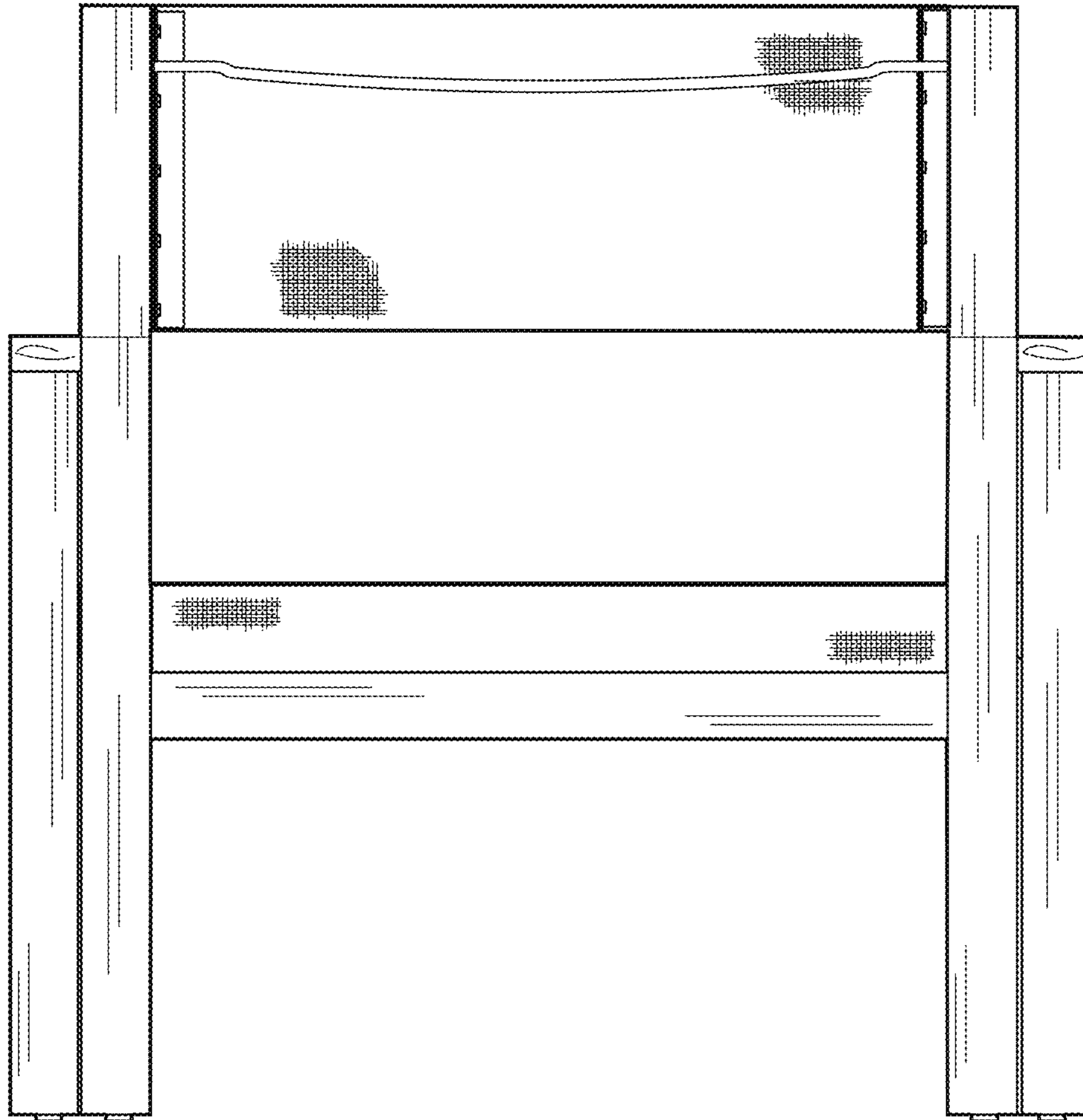


FIG. 6