



US00D852530S

(12) **United States Design Patent** (10) **Patent No.:** **US D852,530 S**
Morgan et al. (45) **Date of Patent:** **** Jul. 2, 2019**

- (54) **UPHOLSTERY DESIGN FOR AN EXAMINATION CHAIR**
- (71) Applicant: **Reliance Medical Products, Inc.**,
Mason, OH (US)
- (72) Inventors: **Katherine Morgan**, Gahanna, OH (US); **Erik Turocy**, Gahanna, OH (US); **Aaron Searles**, Gahanna, OH (US)
- (73) Assignee: **Reliance Medical Products, Inc.**,
Mason, OH (US)
- (**) Term: **15 Years**
- (21) Appl. No.: **29/681,363**
- (22) Filed: **Feb. 25, 2019**

Related U.S. Application Data

- (62) Division of application No. 29/577,254, filed on Sep. 12, 2016.
- (51) **LOC (11) Cl.** **06-01**
- (52) **U.S. Cl.**
USPC **D6/367**
- (58) **Field of Classification Search**
USPC D6/334-336, 356, 364, 365, 366, 367,
D6/374, 716, 716.1, 716.2, 716.4, 716.5;
D24/183
CPC A47C 1/10; A47C 3/12; A47C 7/36; A47C
7/38; A61G 15/02; A61G 15/12; A61G
15/125
See application file for complete search history.

(56) **References Cited**

U.S. PATENT DOCUMENTS

- 2,985,228 A * 5/1961 Golden A47C 1/06
297/409
- D218,028 S * 7/1970 Lohr D6/356
- D264,774 S * 6/1982 McGirk D6/356

- D278,668 S * 5/1985 Simpkins 297/325
- D300,657 S * 4/1989 Simpkins D24/183
- D321,097 S * 10/1991 Jones D6/367
- D347,946 S * 6/1994 Nordstrom D24/183
- D354,177 S * 1/1995 Schwaegerle D24/183
- D361,438 S * 8/1995 Spencer D6/367
- D378,961 S * 4/1997 Nordstrom D6/367
- D379,409 S * 5/1997 Schwaegerle D6/367
- D462,189 S * 9/2002 Brockway D6/367
- D683,154 S * 5/2013 Hoelbl D6/367
- 9,456,948 B1 * 10/2016 Lazarof A61G 15/12

* cited by examiner

Primary Examiner — Mimosa De

(74) *Attorney, Agent, or Firm* — Ryan O. White; Taft Stettinius & Hollister LLP

(57) **CLAIM**

The ornamental design for the upholstery design for an examination chair, as shown and described.

DESCRIPTION

FIG. 1 is a front perspective view of an upholstery design for an examination chair that shows our new, original and ornamental design.

FIG. 2 is a front view of the upholstery design for an examination chair of FIG. 1.

FIG. 3 is a back view of the upholstery design for an examination chair of FIG. 1.

FIG. 4 is a left side view of the upholstery design for an examination chair of FIG. 1.

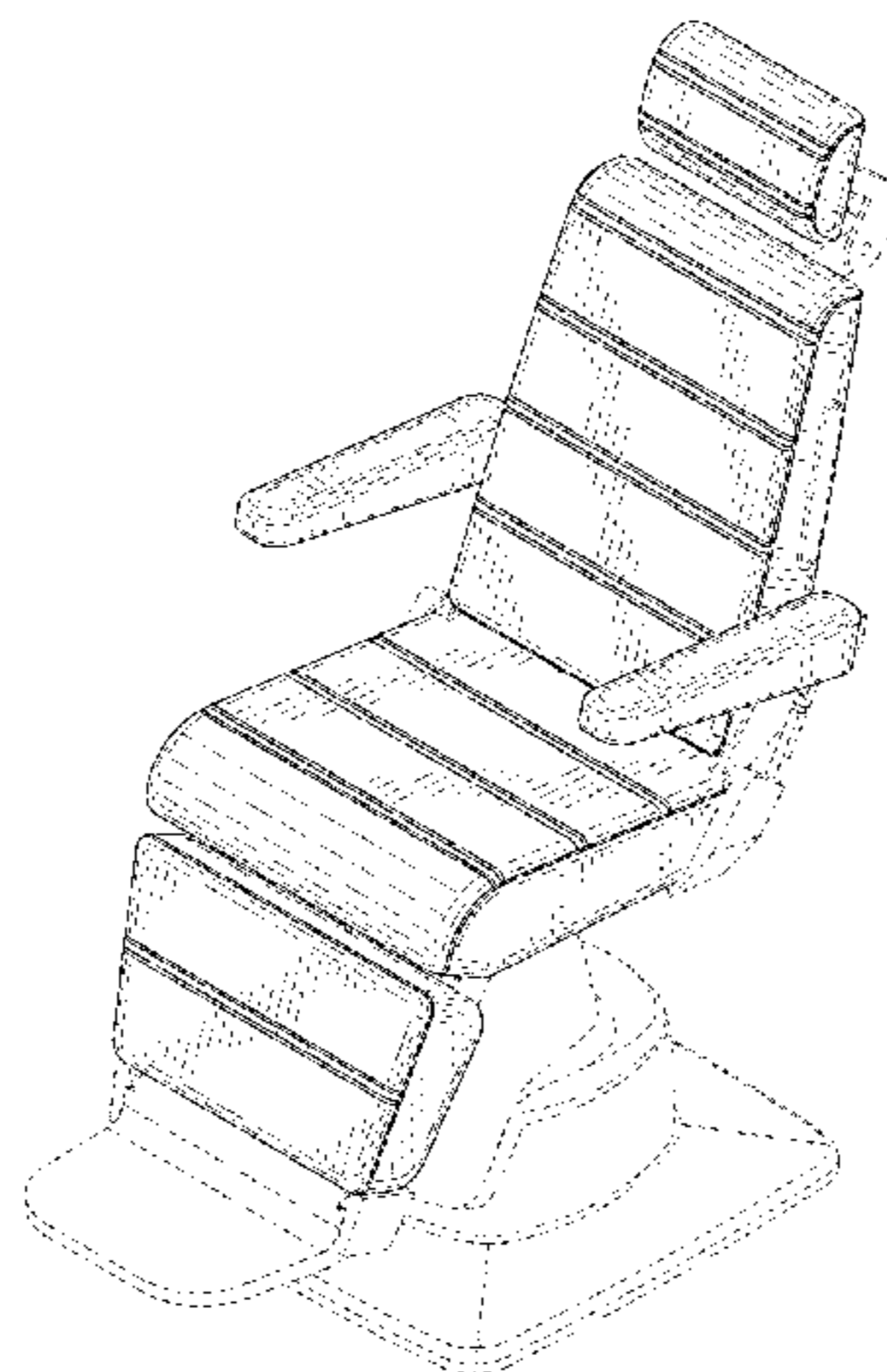
FIG. 5 is a right side view of the upholstery design for an examination chair of FIG. 1.

FIG. 6 is a top view of the upholstery design for an examination chair of FIG. 1; and,

FIG. 7 is a bottom view of the upholstery design for an examination chair of FIG. 1.

The broken lines in the drawings depict portions of an examination chair that form no part of the claim design.

1 Claim, 6 Drawing Sheets



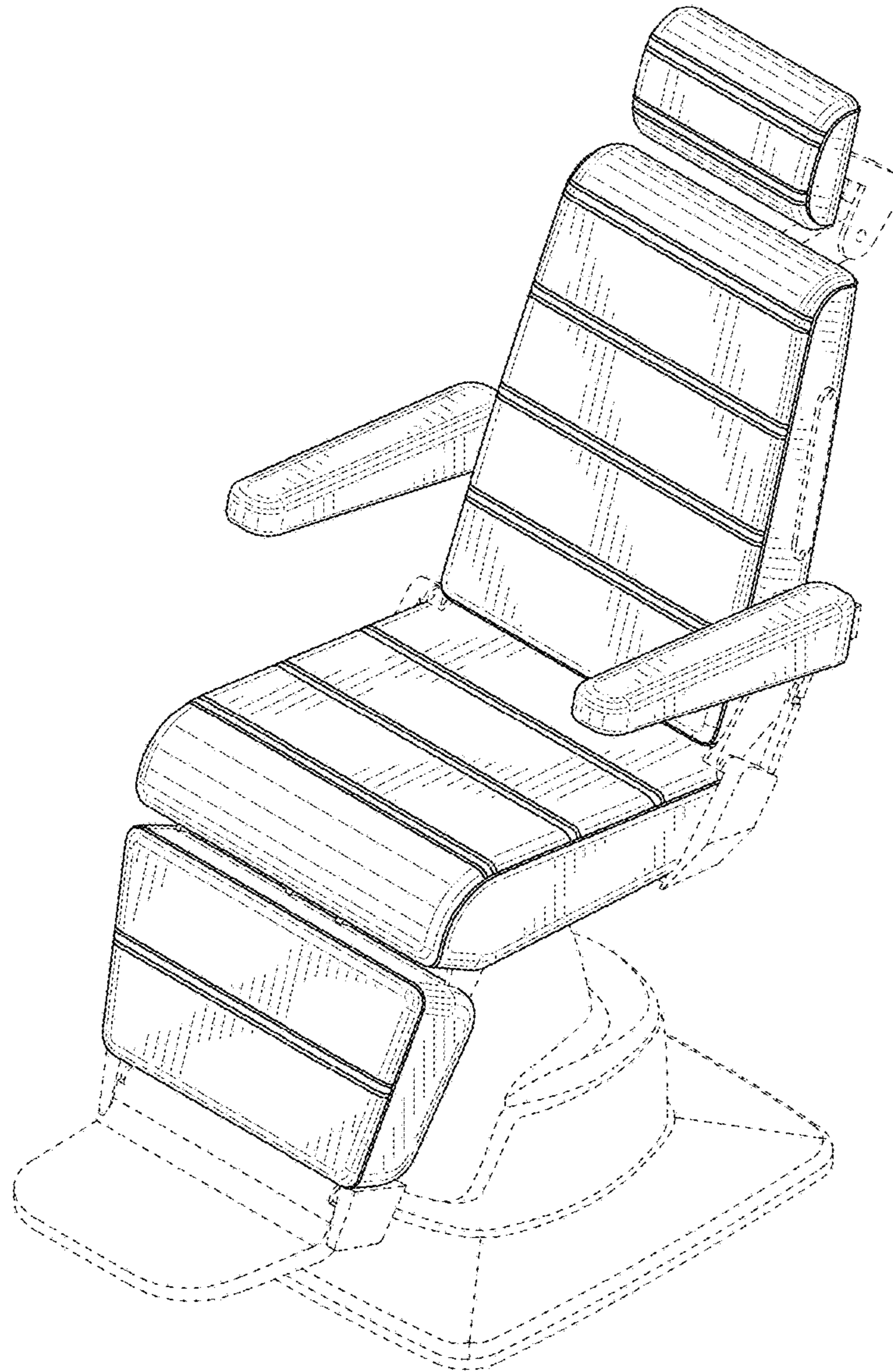


FIG. 1

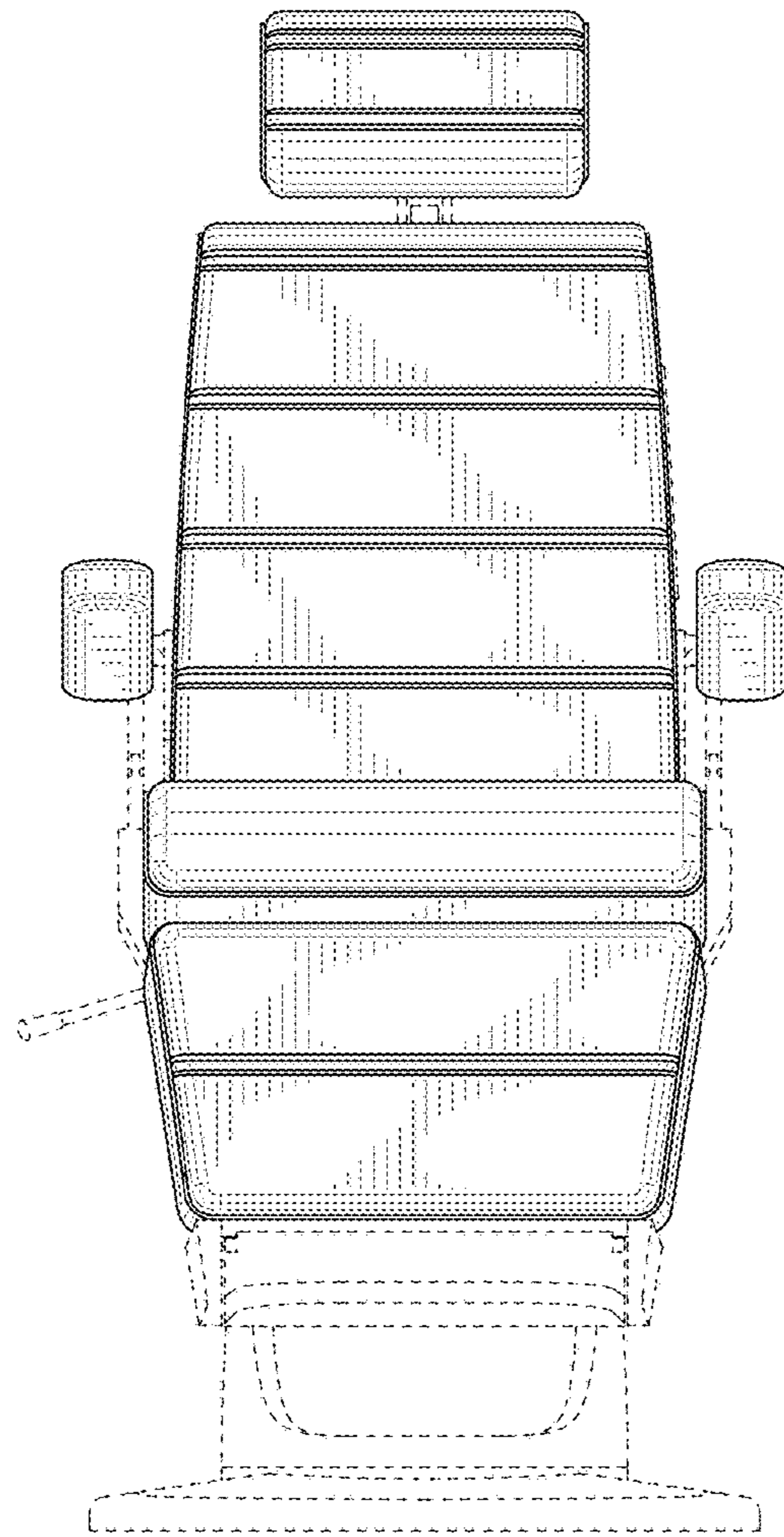


FIG. 2

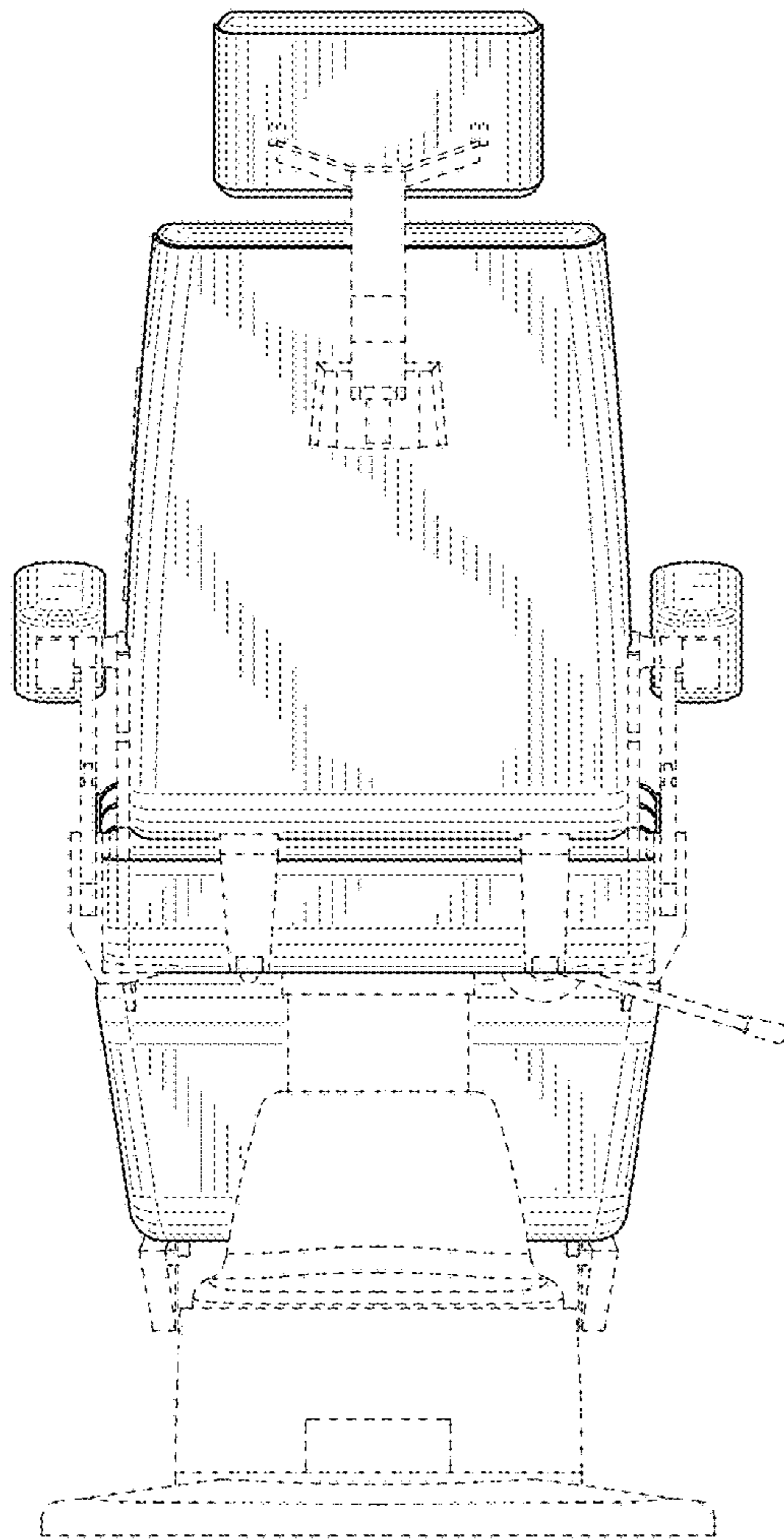


FIG. 3

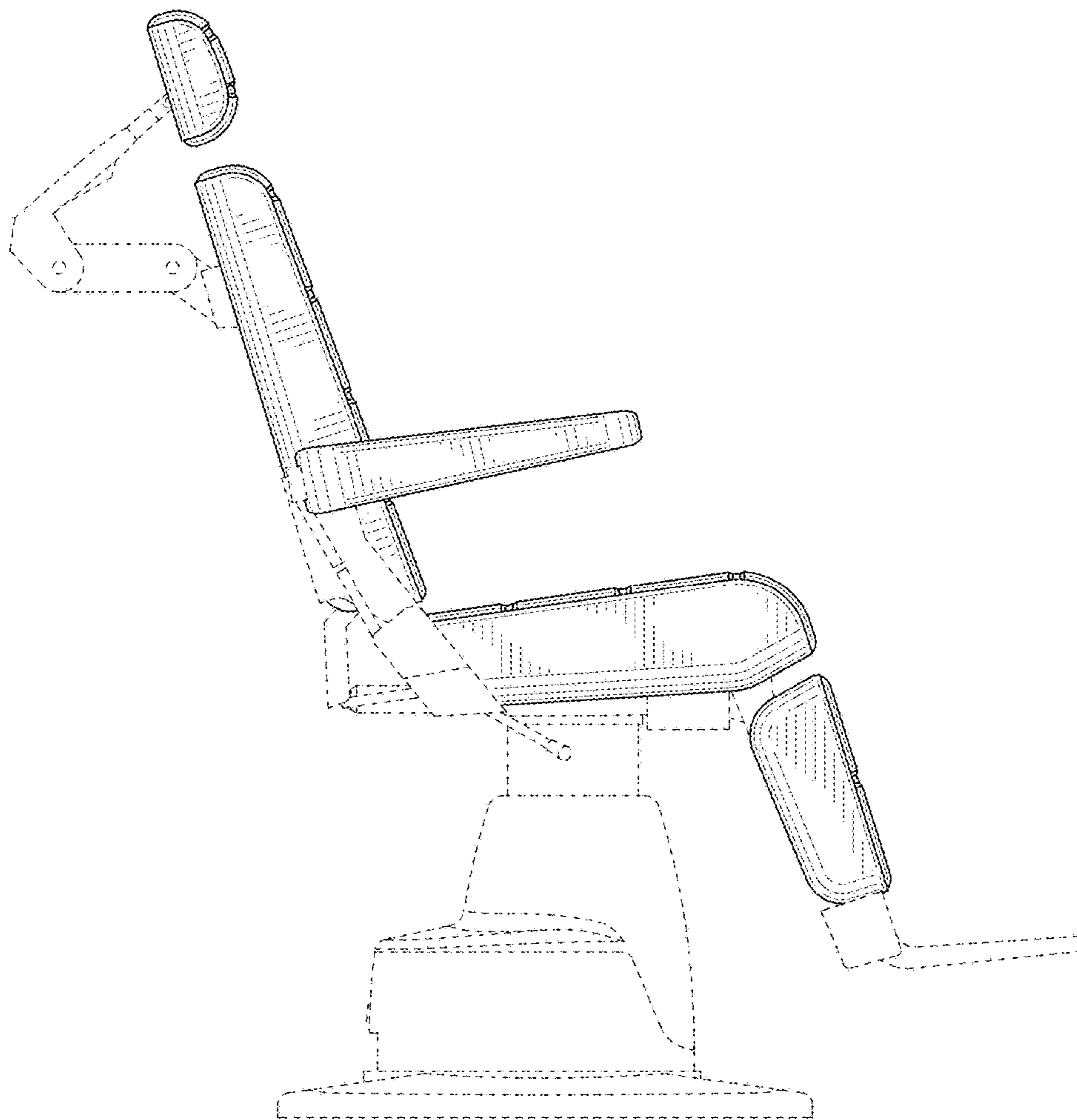


FIG. 4

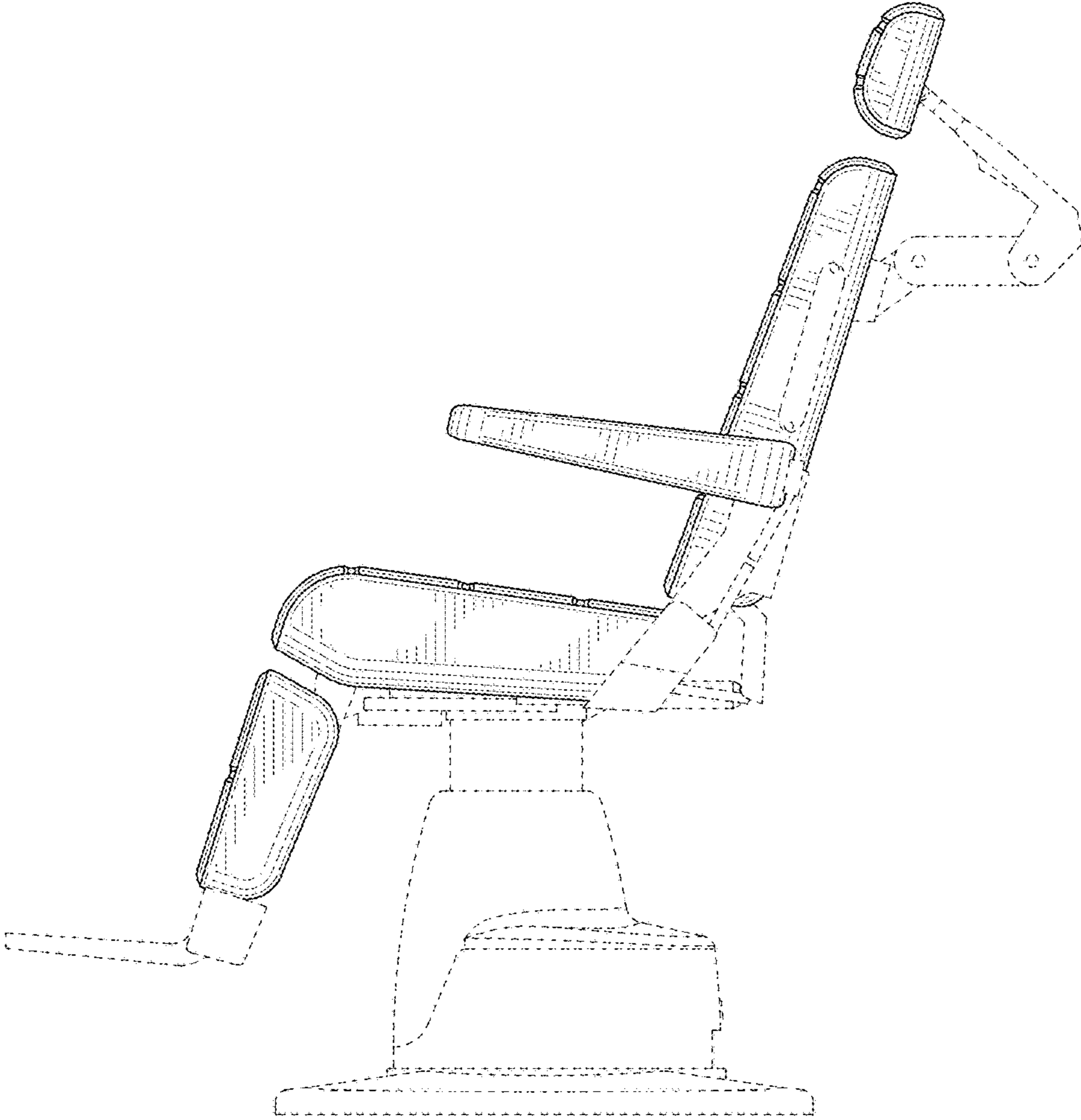


FIG. 5

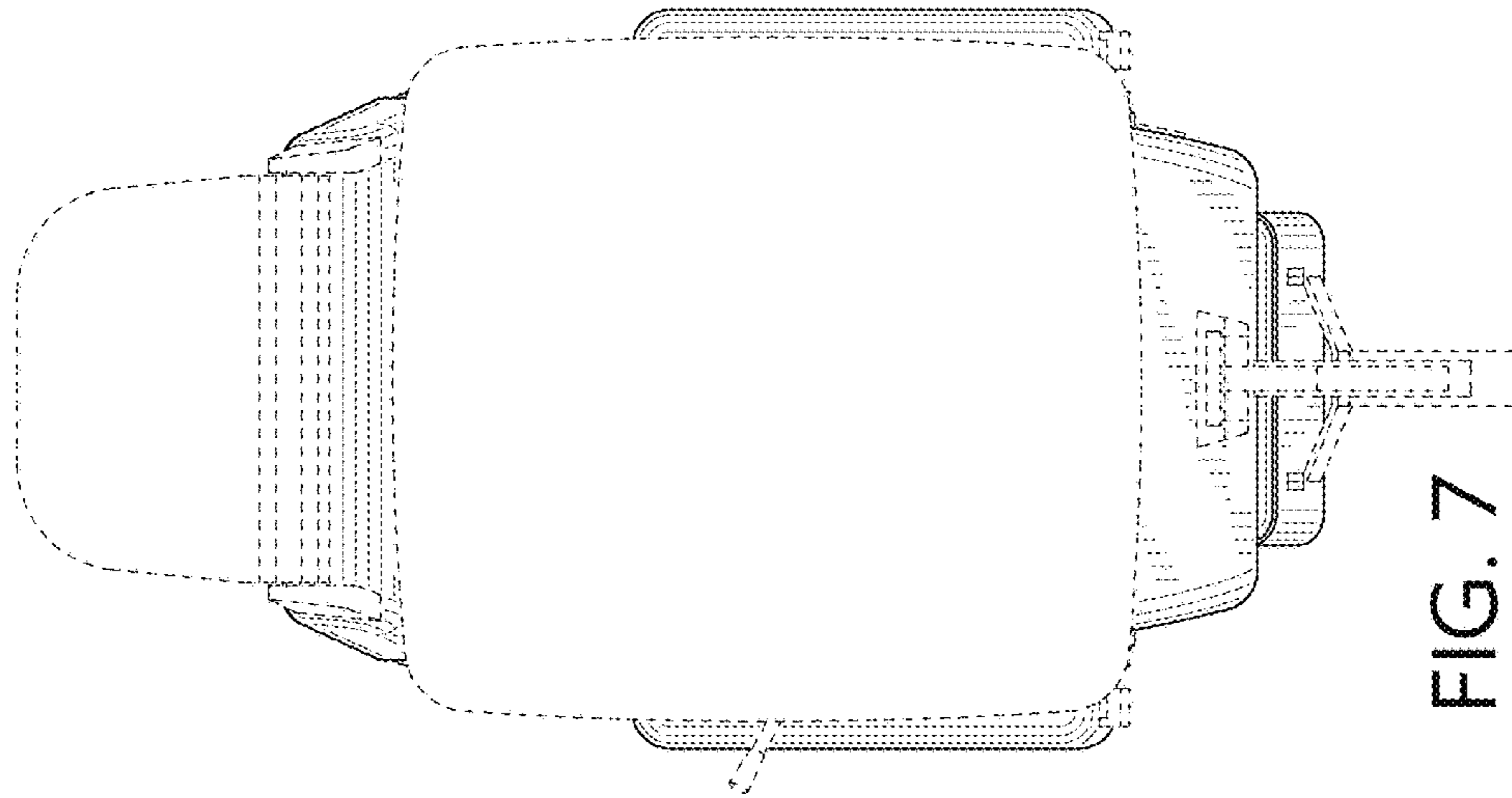


FIG. 7

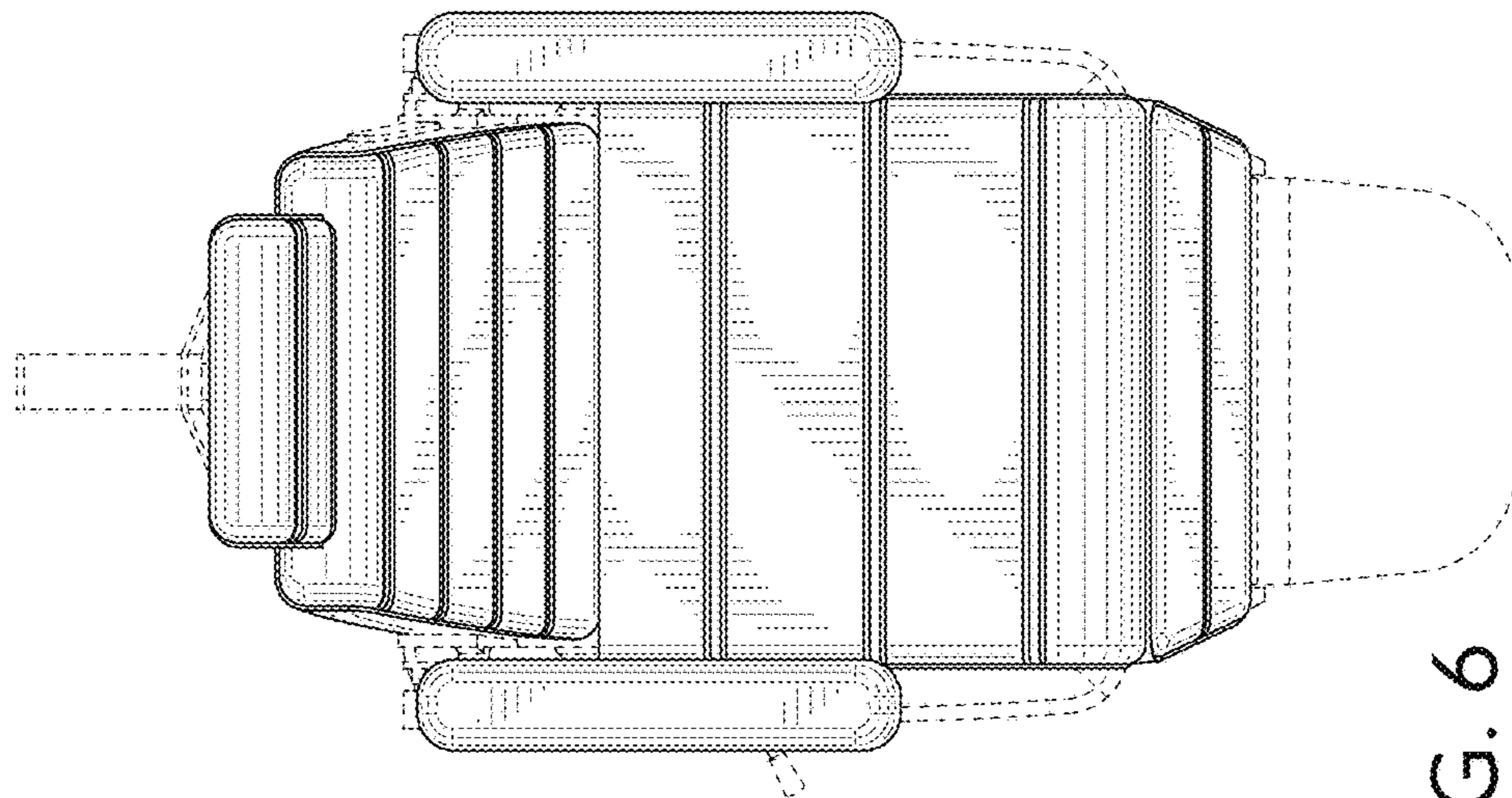


FIG. 6