



US00D852529S

(12) **United States Design Patent**
Shen

(10) **Patent No.:** **US D852,529 S**

(45) **Date of Patent:** **** Jul. 2, 2019**

(54) **RECLINER**

(71) Applicant: **Yinuo Shen**, Cixi (CN)

(72) Inventor: **Yinuo Shen**, Cixi (CN)

(**) Term: **15 Years**

(21) Appl. No.: **29/678,787**

(22) Filed: **Jan. 31, 2019**

(51) **LOC (11) Cl.** **06-01**

(52) **U.S. Cl.**
USPC **D6/367**

(58) **Field of Classification Search**
USPC D6/334-336, 364, 367, 371, 373, 374,
D6/381, 716, 716.1, 716.4
CPC A47C 1/02; A47C 1/023; A47C 1/024;
A47C 1/028; A47C 4/028; A47C 7/50
See application file for complete search history.

(56) **References Cited**

U.S. PATENT DOCUMENTS

D235,944 S * 7/1975 Long D6/364
D351,509 S 10/1994 Goldberg
6,557,942 B1 * 5/2003 Shieh A47C 4/028
297/440.15

D485,689 S 1/2004 Boydak
D509,080 S 9/2005 Lowman
D824,684 S * 8/2018 Dix D6/367
D824,685 S * 8/2018 Dix D6/367

* cited by examiner

Primary Examiner — Mimososa De

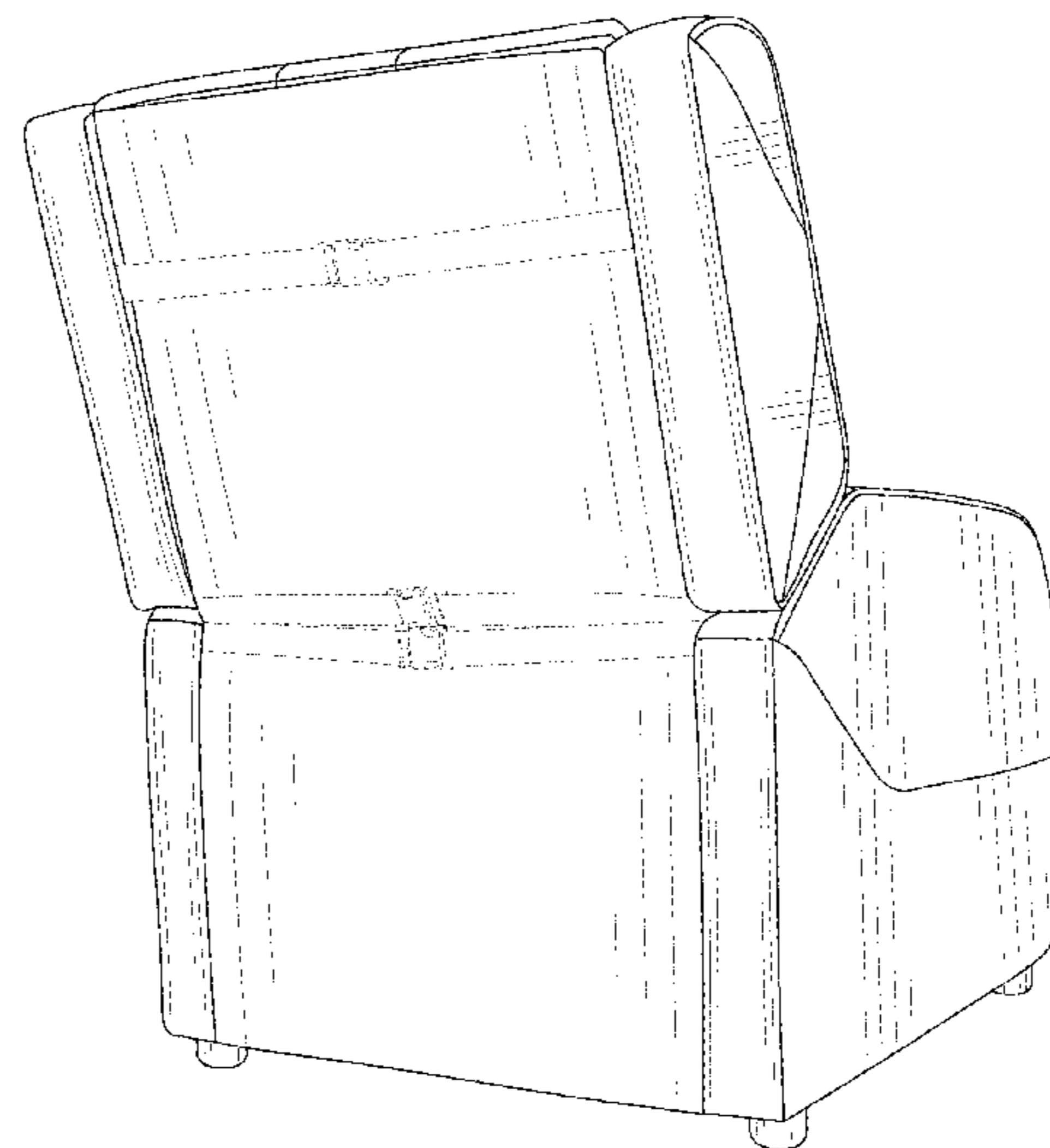
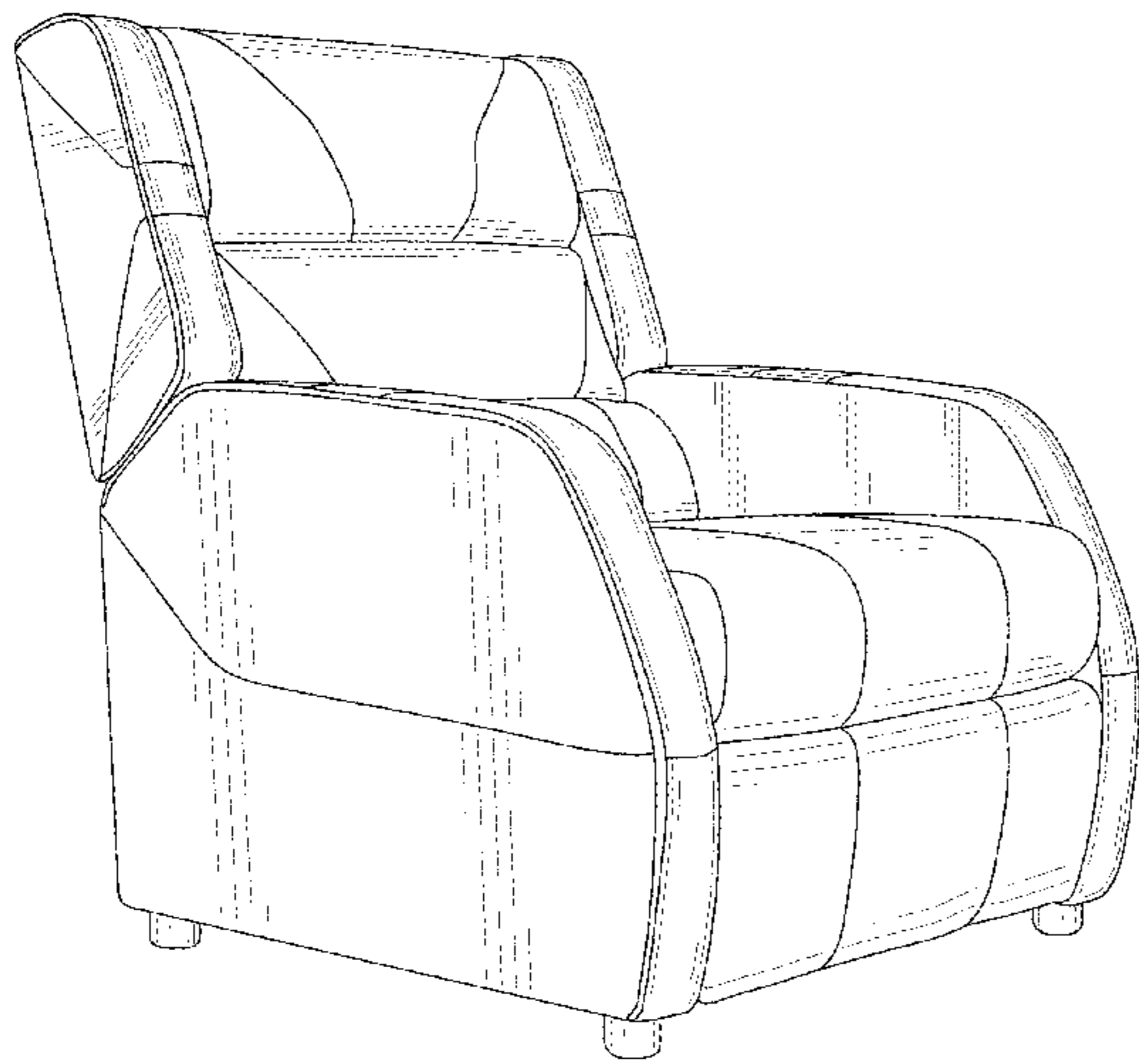
(57) **CLAIM**

The ornamental design for a recliner, as shown and described.

DESCRIPTION

FIG. 1 is a perspective view of a recliner showing my new design;
FIG. 2 is another perspective view thereof;
FIG. 3 is a front elevational view thereof;
FIG. 4 is a rear elevational view thereof;
FIG. 5 is a left side elevational view thereof;
FIG. 6 is a right side elevational view thereof;
FIG. 7 is a top plan view thereof; and,
FIG. 8 is a bottom plan view thereof.
The broken lines shown in the drawing are for the purpose of illustrating environmental structure and form no part of the claimed design.

1 Claim, 8 Drawing Sheets



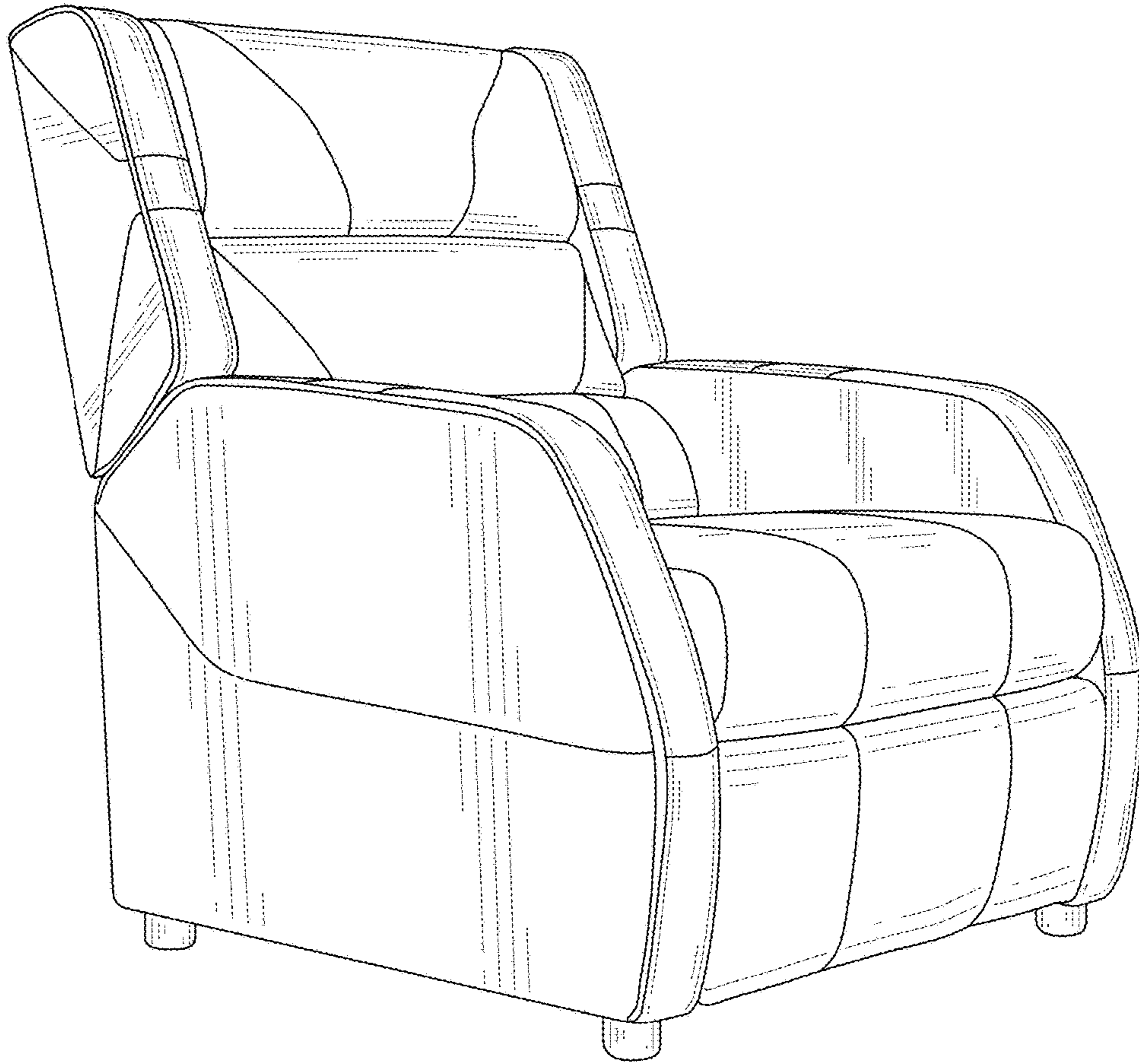


FIG. 1

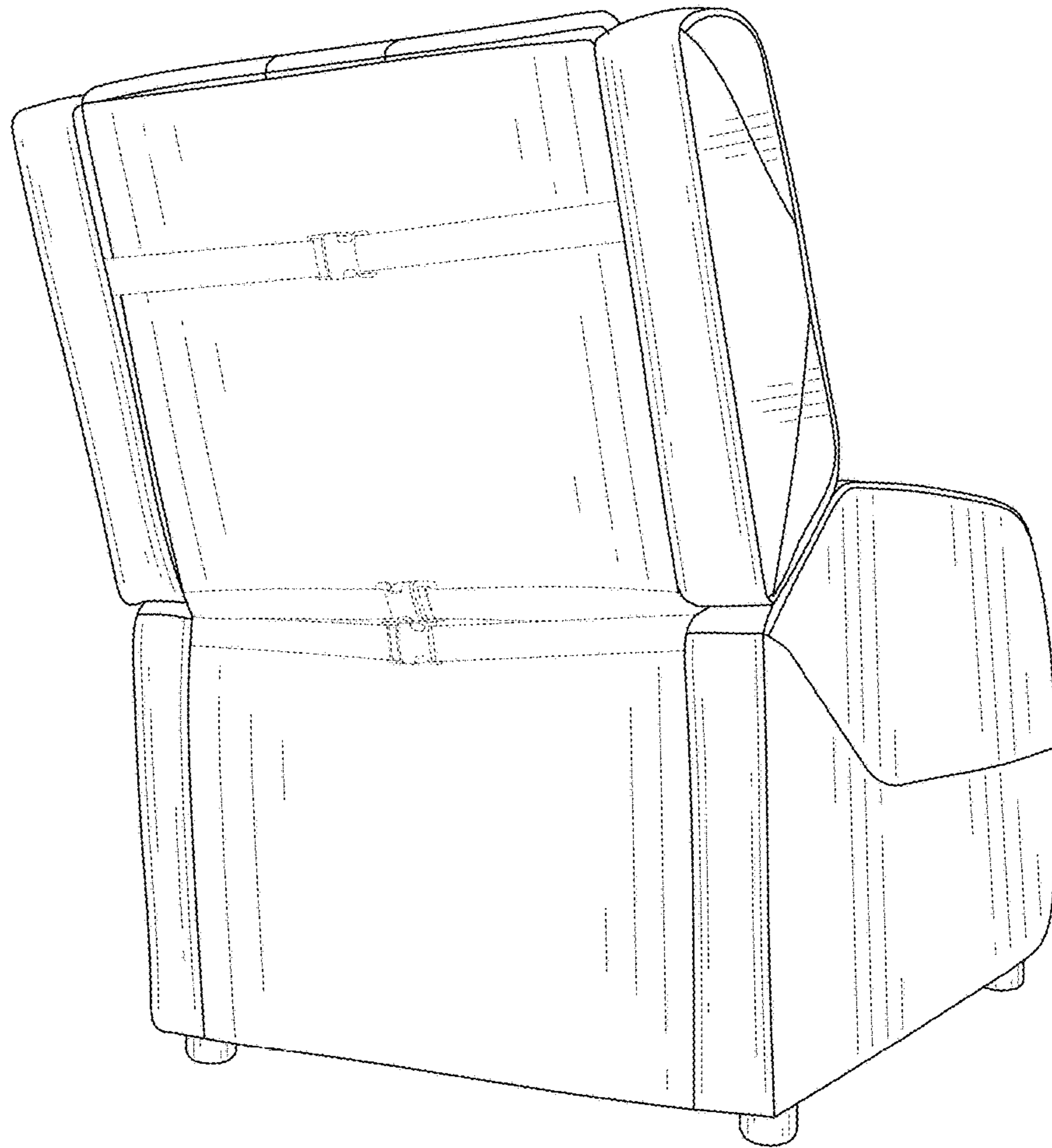


FIG. 2

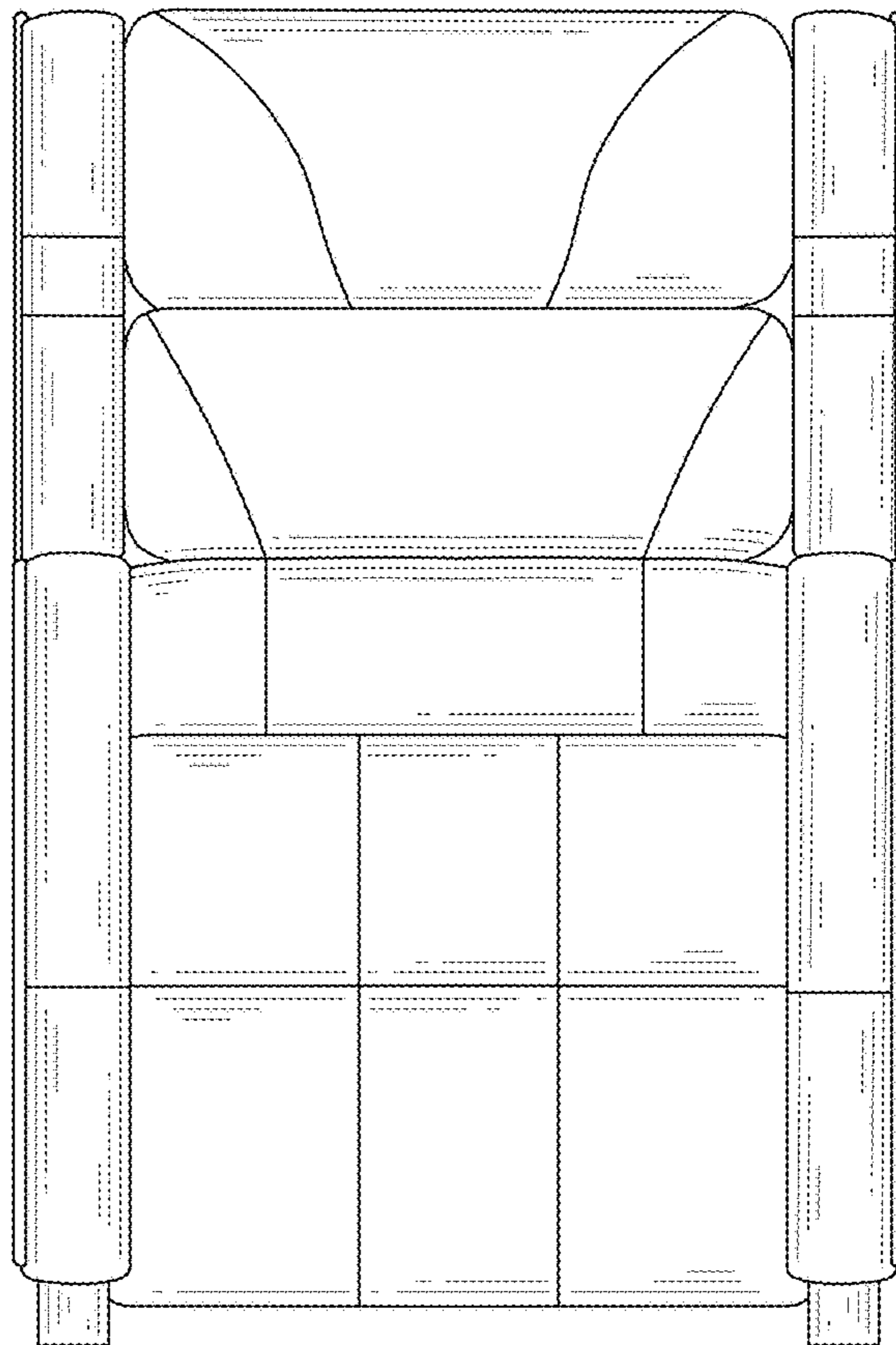


FIG. 3

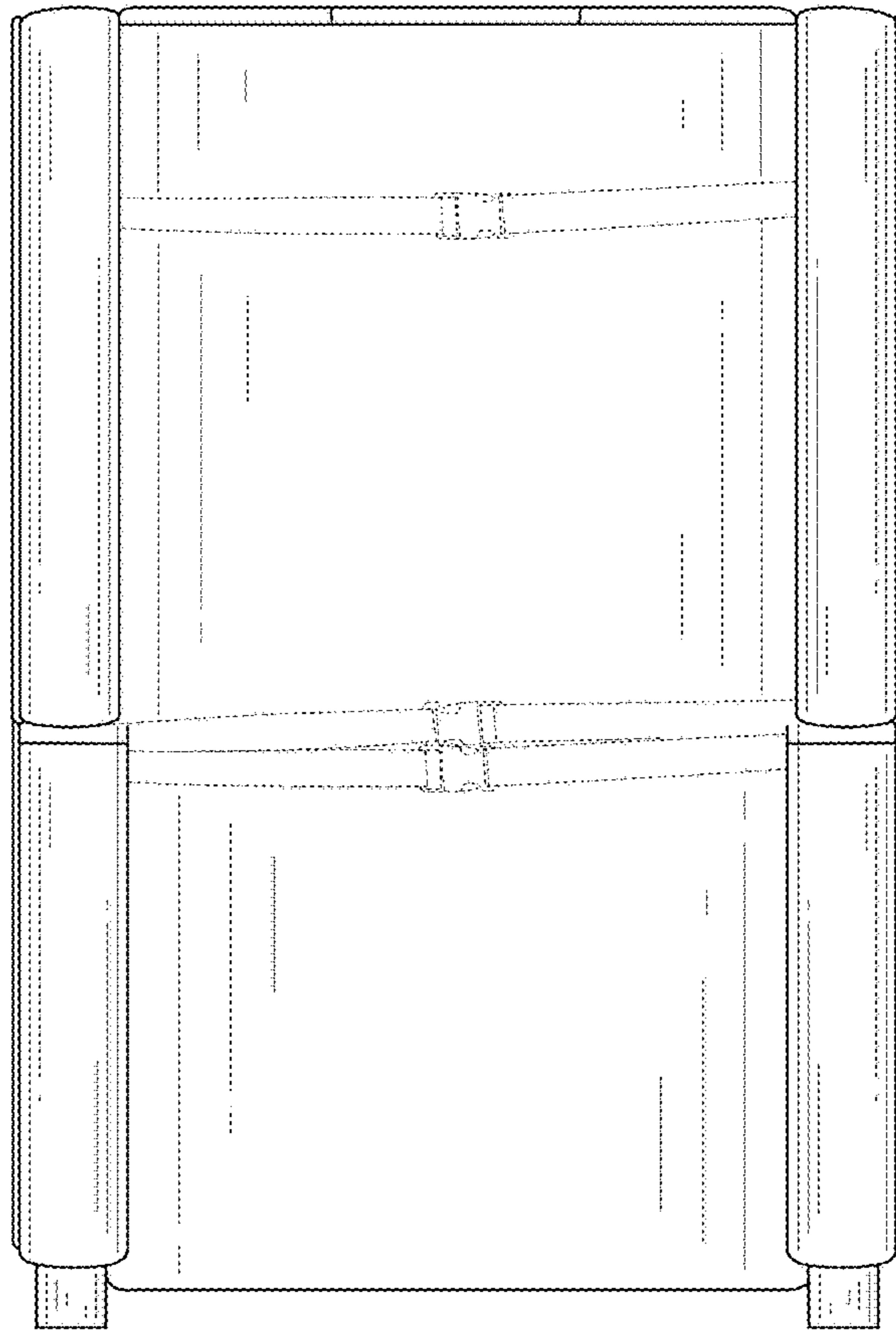


FIG. 4

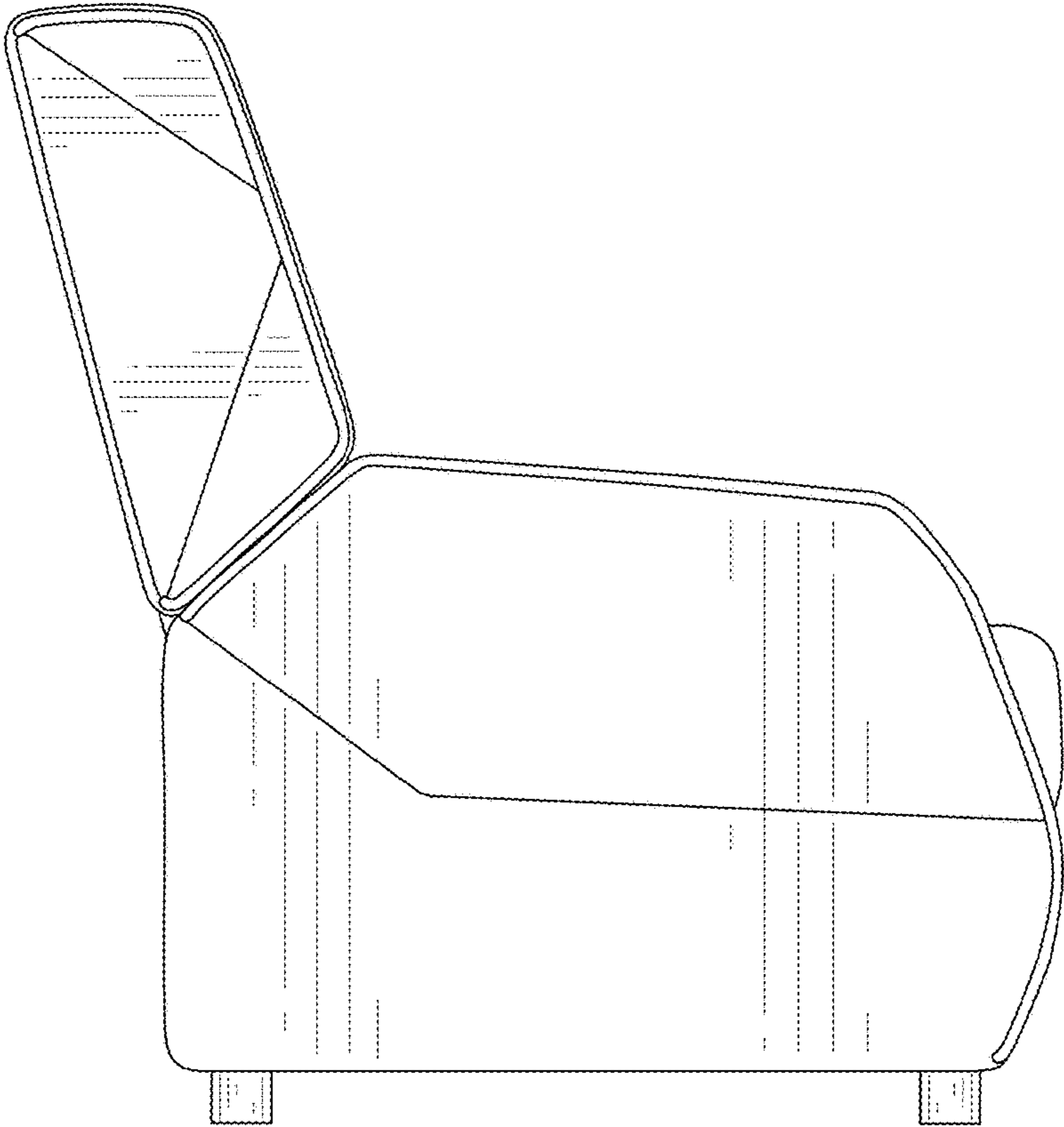


FIG. 5

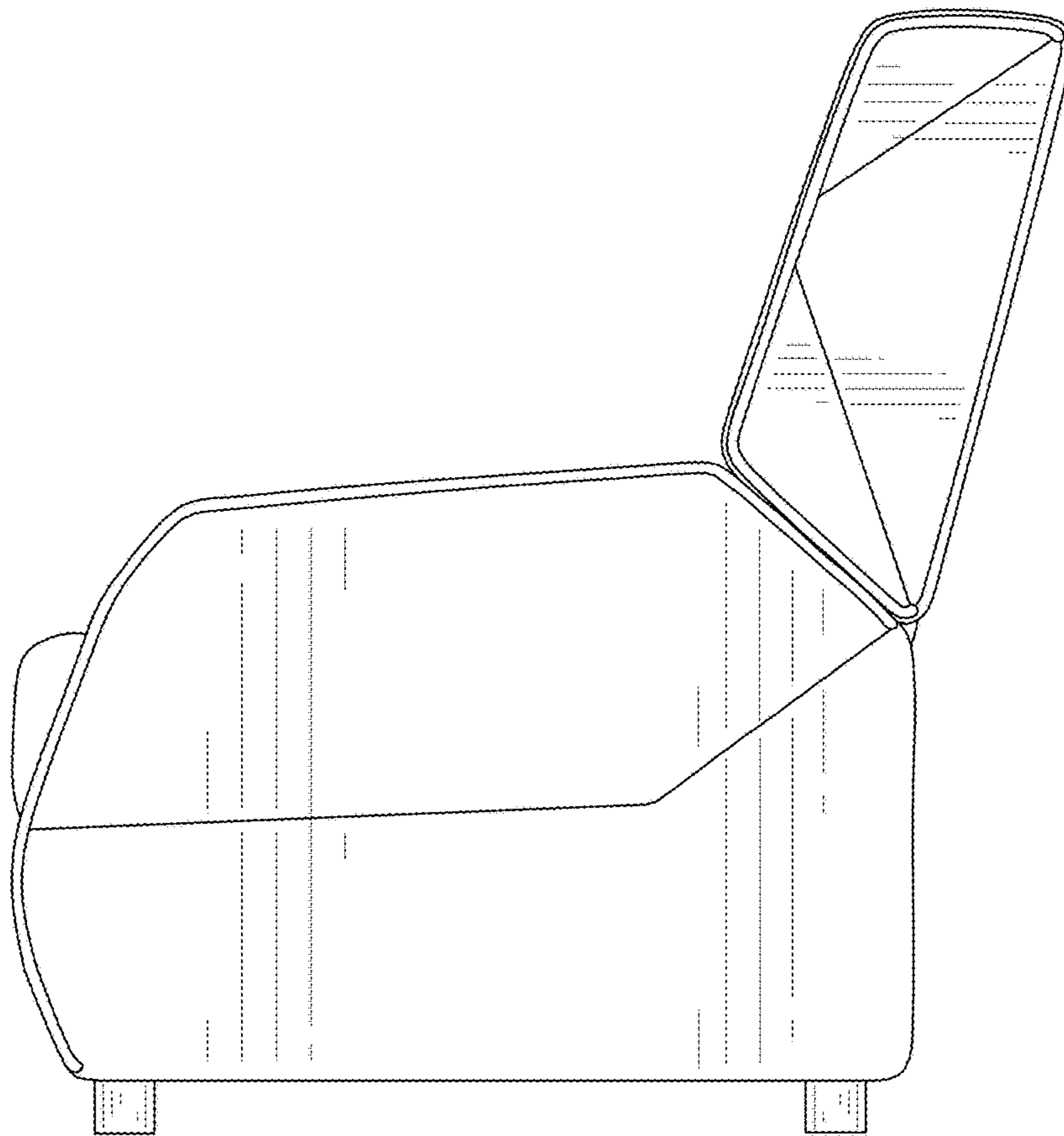


FIG. 6

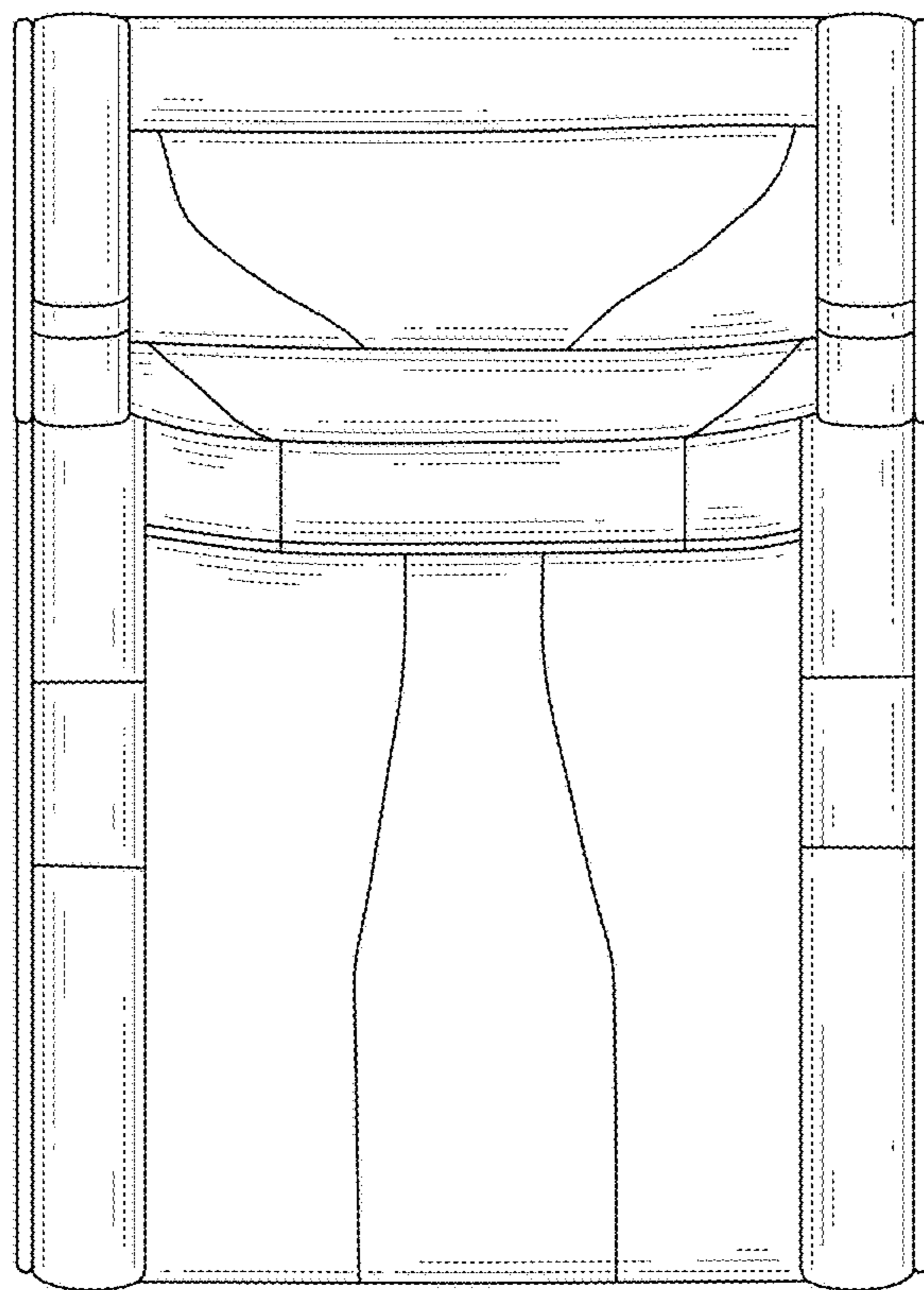


FIG. 7

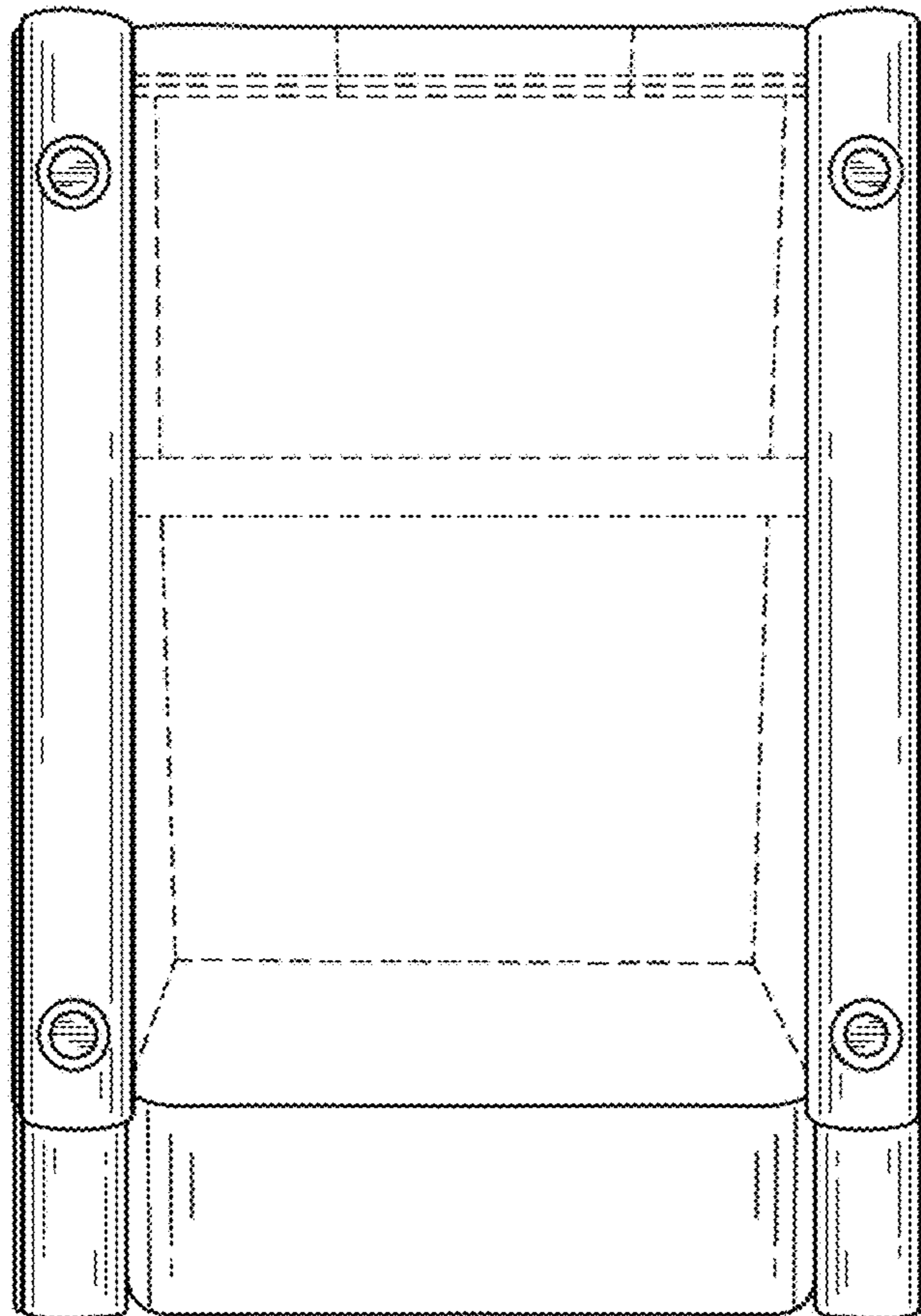


FIG. 8