



US00D852528S

(12) **United States Design Patent**  
**Ci**

(10) **Patent No.:** **US D852,528 S**

(45) **Date of Patent:** **\*\* Jul. 2, 2019**

(54) **MERIDIAN MASSAGE CHAIR**

D653,468 S \* 2/2012 Hsieh ..... D6/367  
D657,970 S \* 4/2012 Hwang ..... D6/367  
D796,219 S \* 9/2017 Lin ..... D6/367

(71) Applicant: **Yanhuang Dongfang (Beijing) Healthcare Technology Co., Ltd., Beijing (CN)**

\* cited by examiner

(72) Inventor: **Zhonghua Ci, Beijing (CN)**

*Primary Examiner* — Mimoso De

(73) Assignee: **Zhonghua Ci, Beijing (CN)**

(74) *Attorney, Agent, or Firm* — Gokalp Bayramoglu

(\*\*) Term: **15 Years**

(21) Appl. No.: **29/609,392**

(22) Filed: **Jun. 30, 2017**

(30) **Foreign Application Priority Data**

Jun. 6, 2017 (CN) ..... 2017 3 0226852

(51) **LOC (11) Cl.** ..... **06-01**

(52) **U.S. Cl.**  
USPC ..... **D6/367**

(58) **Field of Classification Search**  
USPC ..... D6/334-336, 361, 367, 371, 373, 374, D6/716, 716.1, 716.2, 716.3, 716.4, 716.5  
CPC .. A47C 7/50; A47C 75/06; A61G 5/12; A61H 1/003; A61H 1/0292; A61H 2201/1669; A61H 15/0078; A61H 7/001; A61H 7/002; A61H 7/004; A61H 7/007  
See application file for complete search history.

(56) **References Cited**

**U.S. PATENT DOCUMENTS**

D504,783 S \* 5/2005 Park ..... D6/336  
D536,189 S \* 2/2007 Kita ..... D6/367  
D550,468 S \* 9/2007 Ng ..... D6/367

(57) **CLAIM**

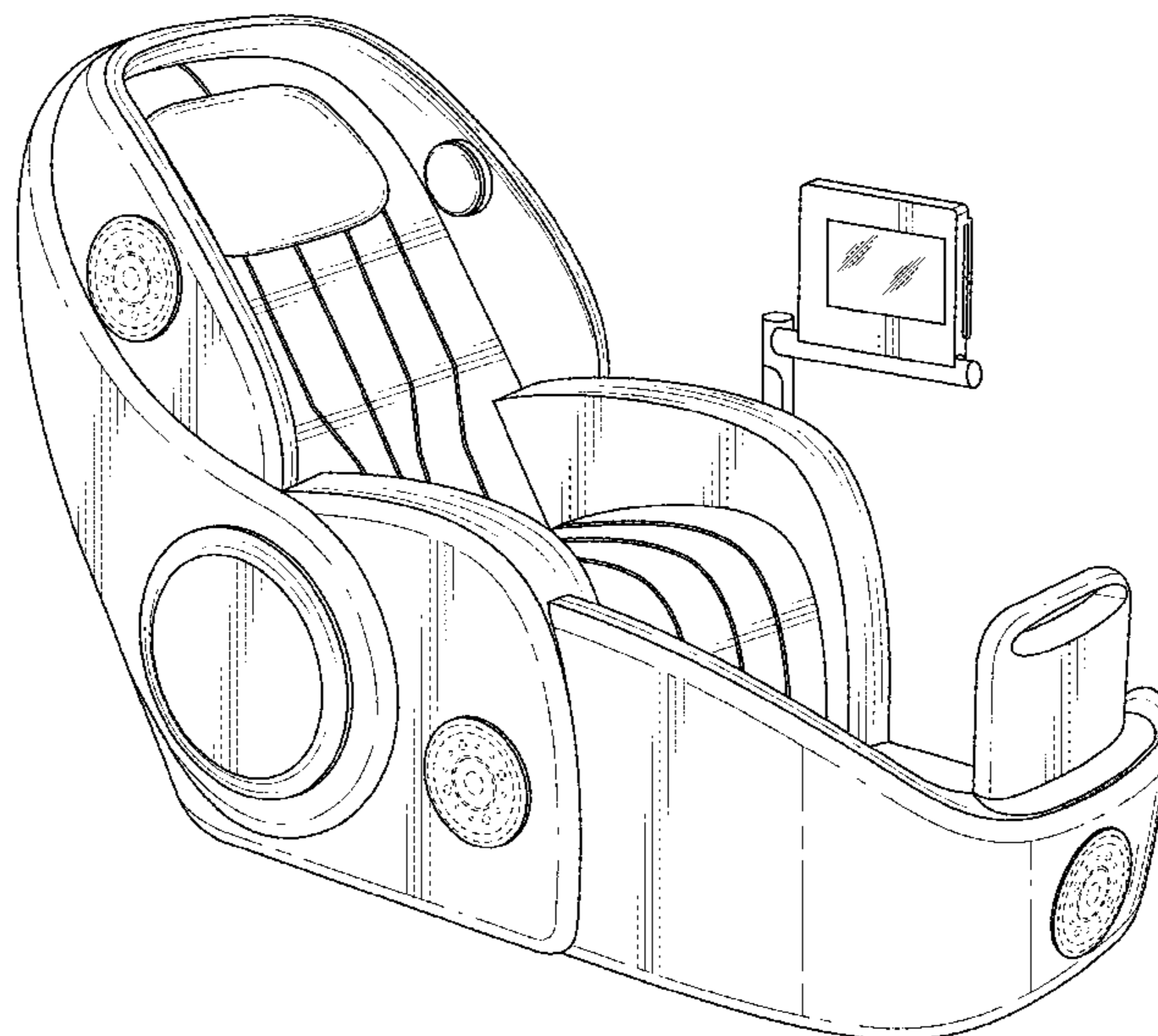
The ornamental design for a meridian massage chair, as shown and described.

**DESCRIPTION**

FIG. 1 is a perspective view of the meridian massage chair showing my new design;  
FIG. 2 is another perspective view thereof;  
FIG. 3 is a front view thereof;  
FIG. 4 is a rear view thereof;  
FIG. 5 is a left side view thereof;  
FIG. 6 is a right side view thereof;  
FIG. 7 is a top view thereof; and,  
FIG. 8 is a bottom view thereof.

The broken lines depict portions of the meridian massage chair in which the design is embodied that form no part of the claimed design.

**1 Claim, 8 Drawing Sheets**



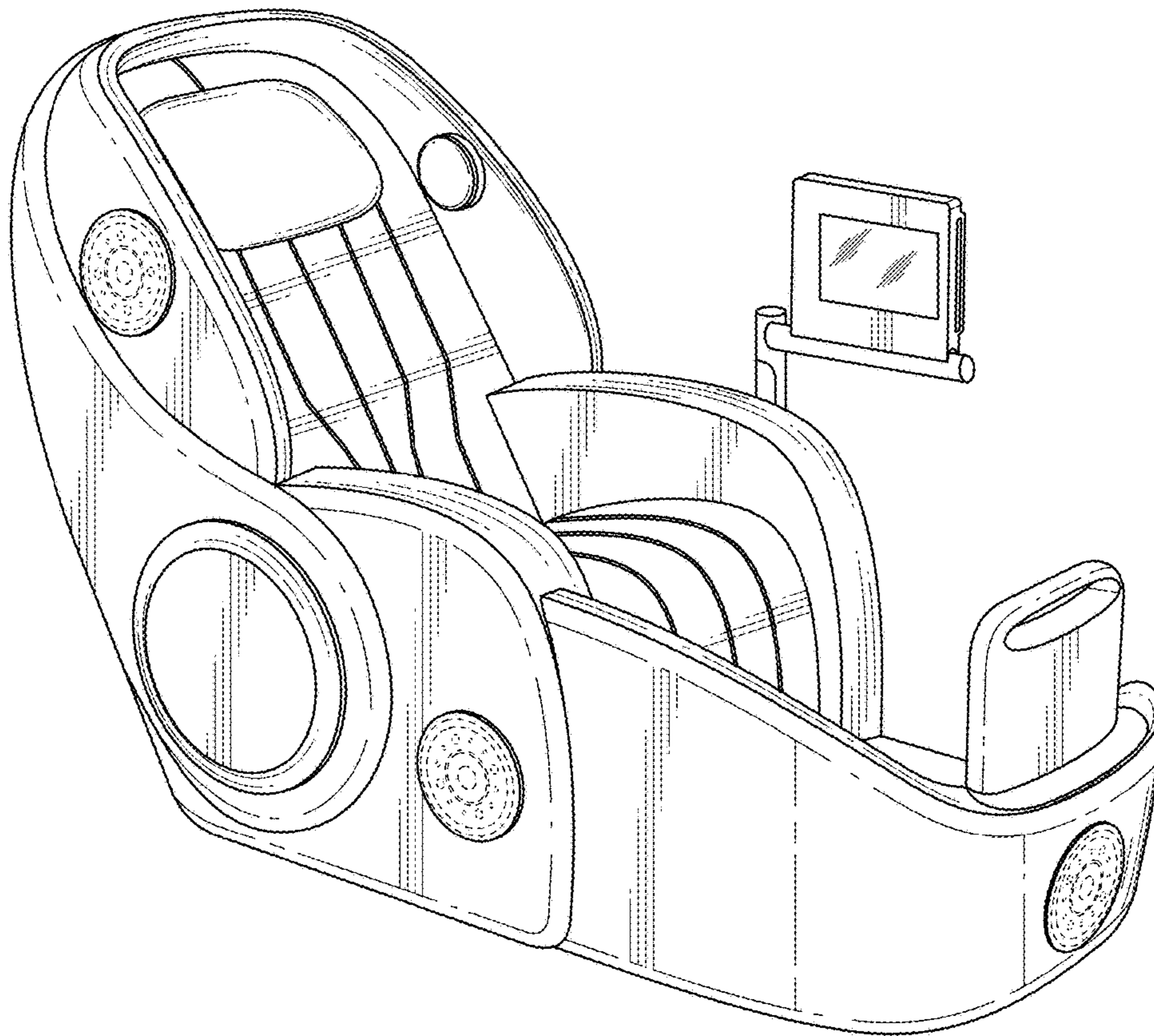


FIG. 1

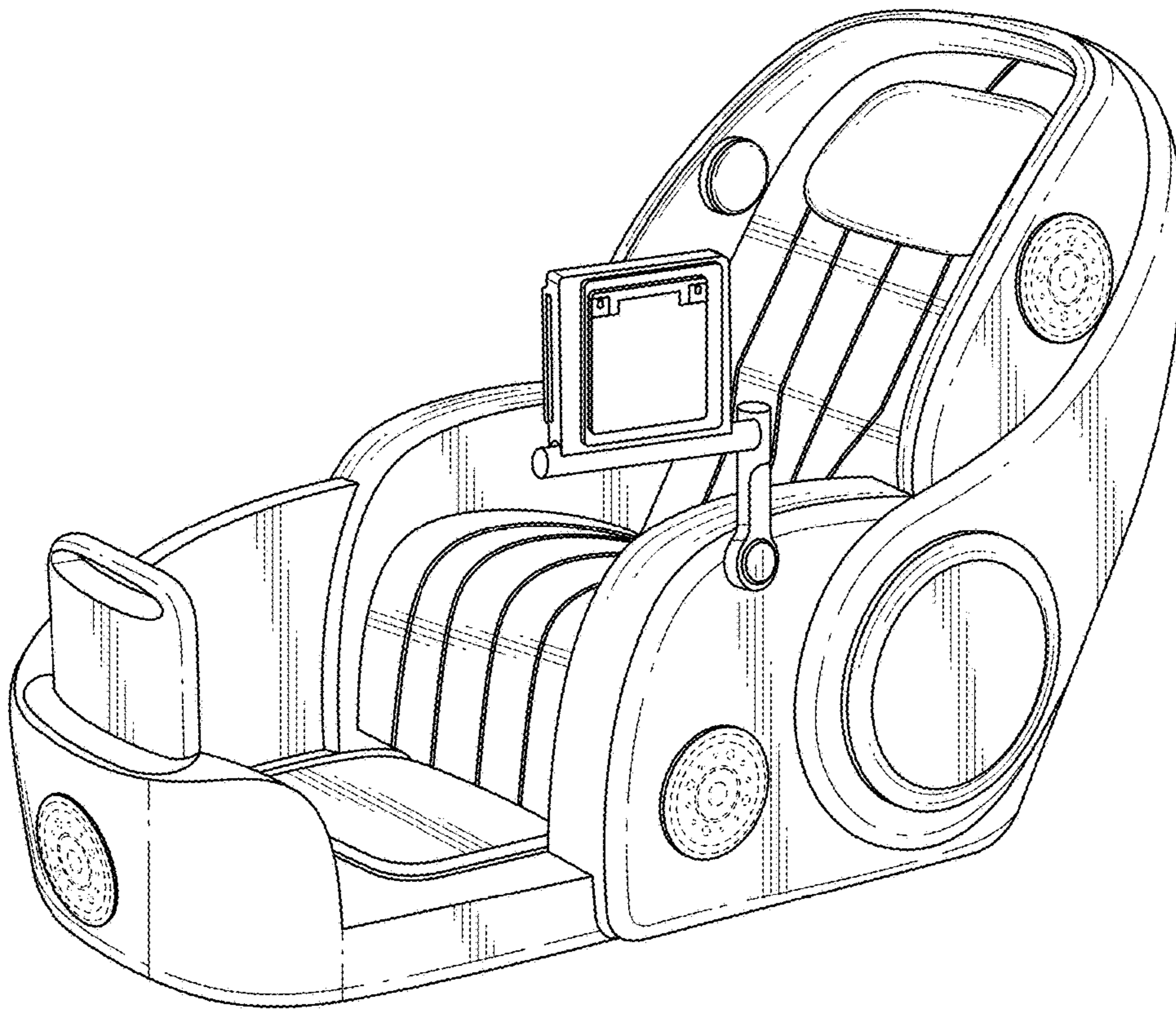


FIG. 2

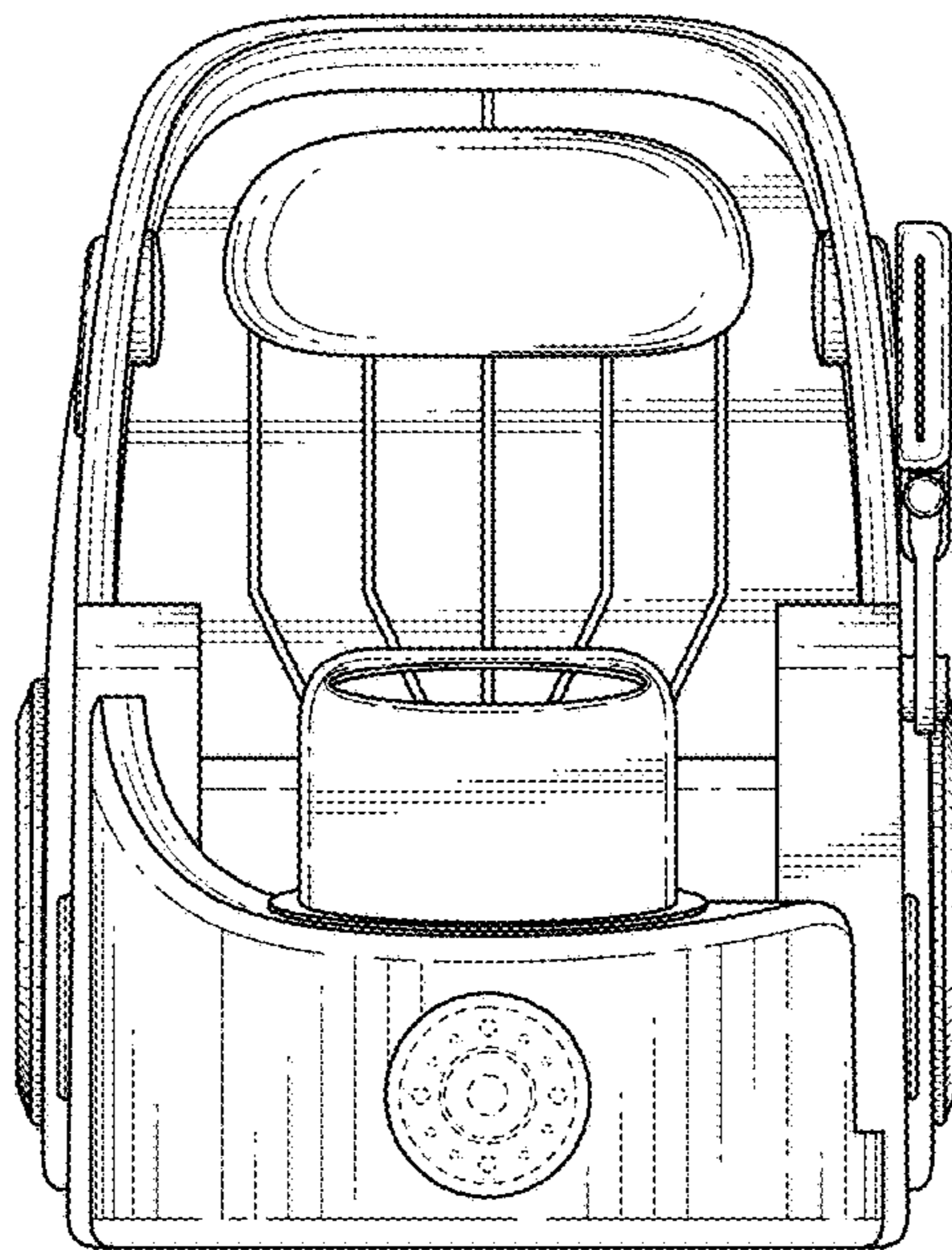


FIG. 3



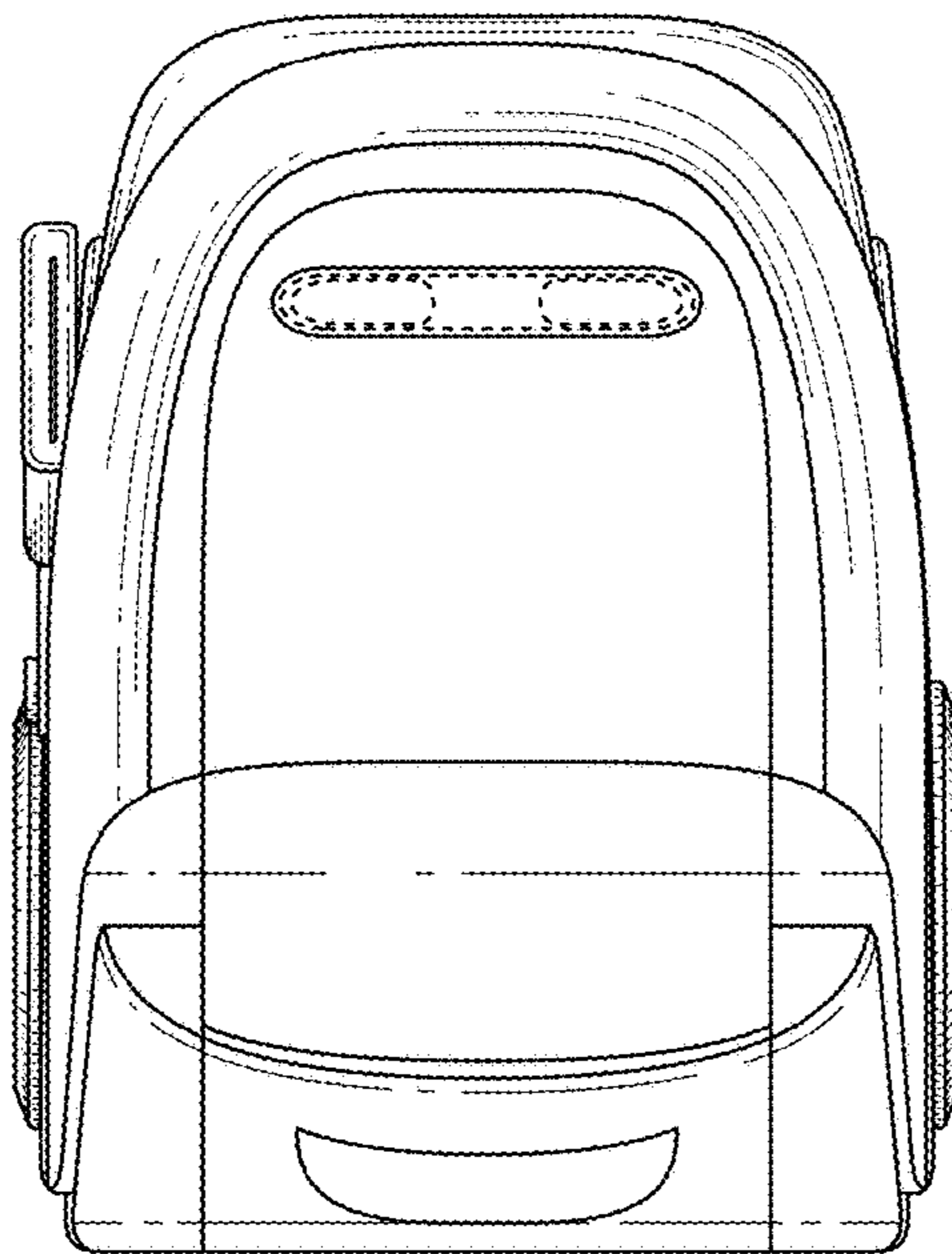


FIG. 4

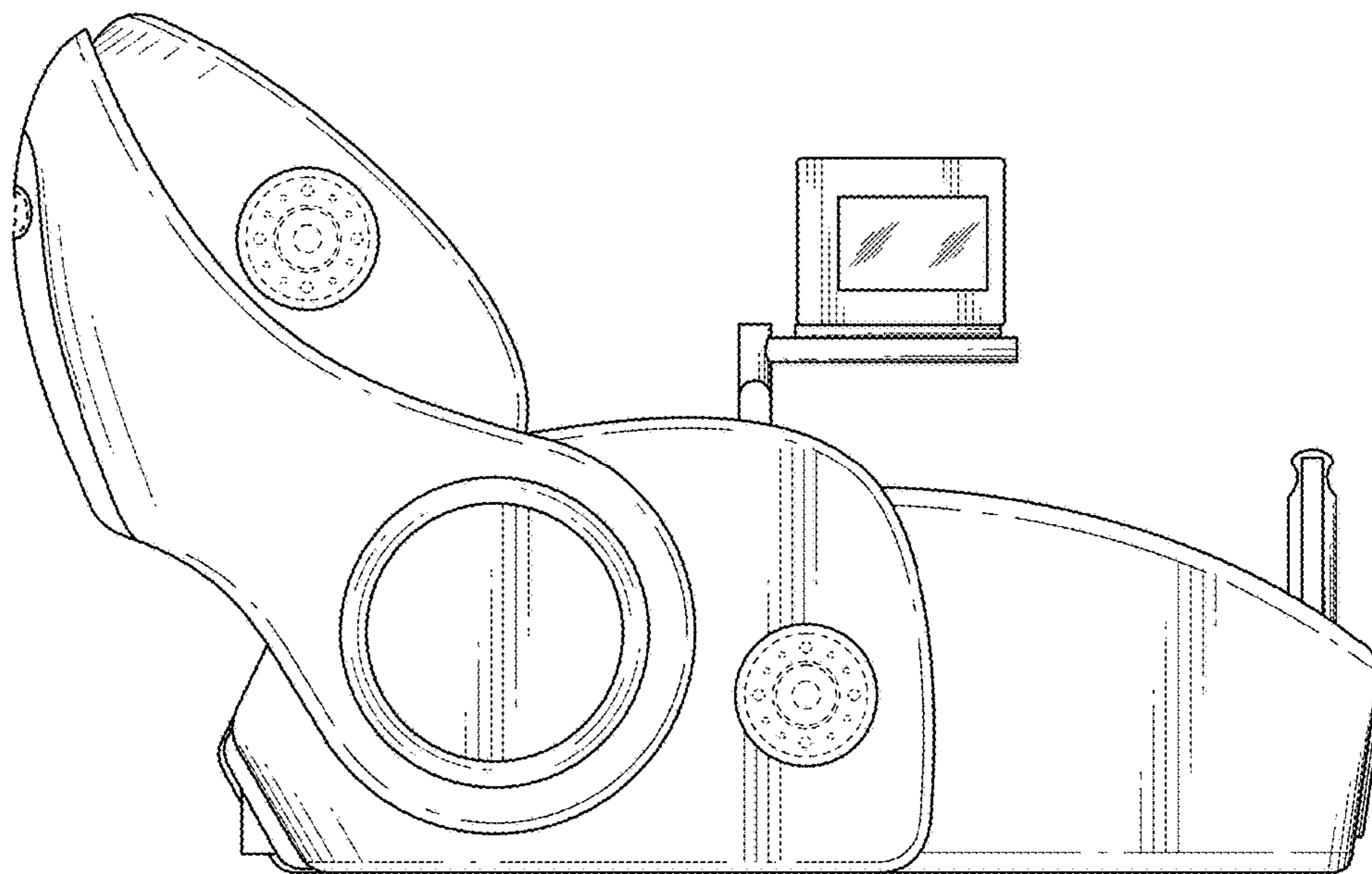


FIG. 5

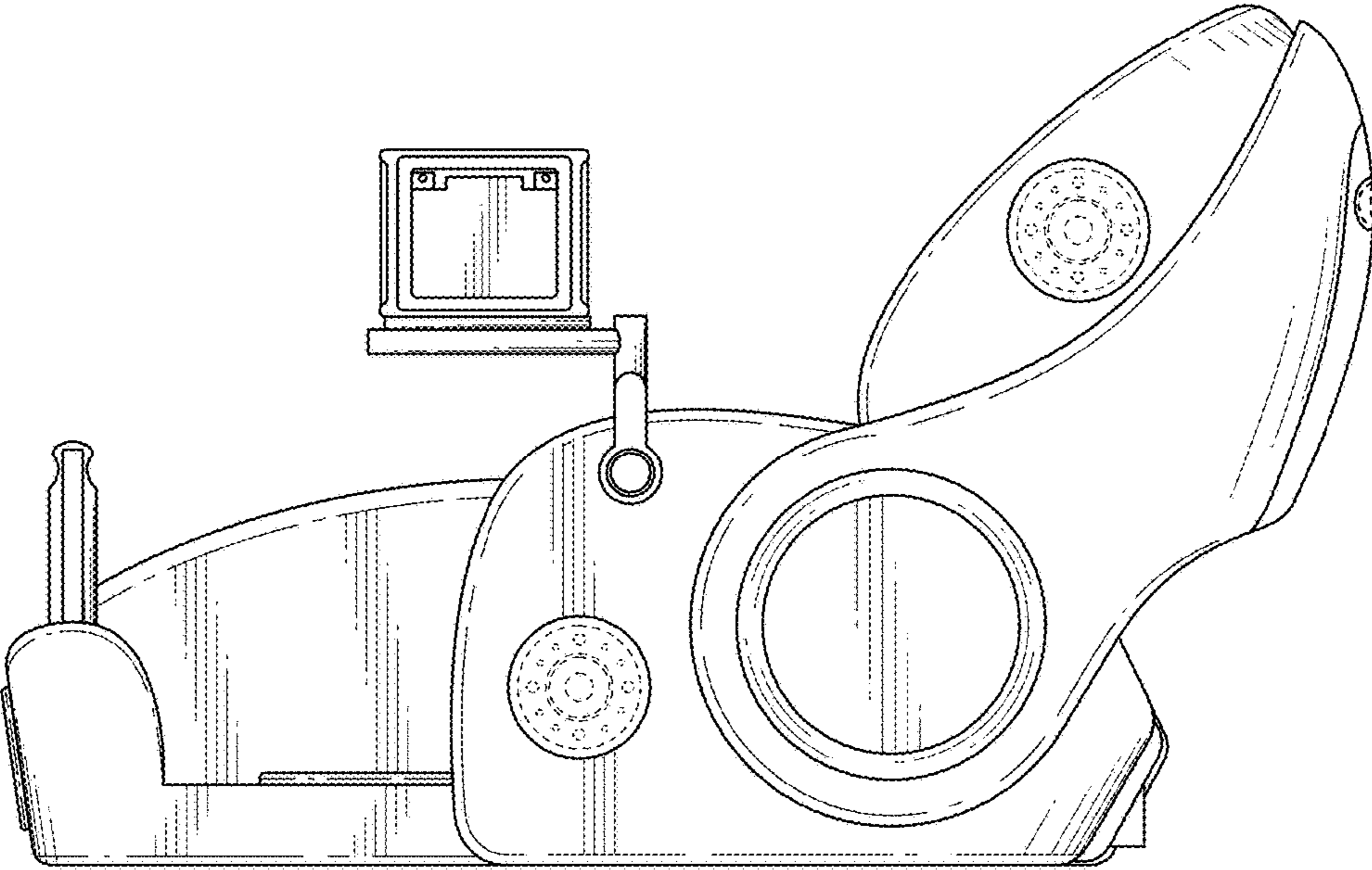


FIG. 6

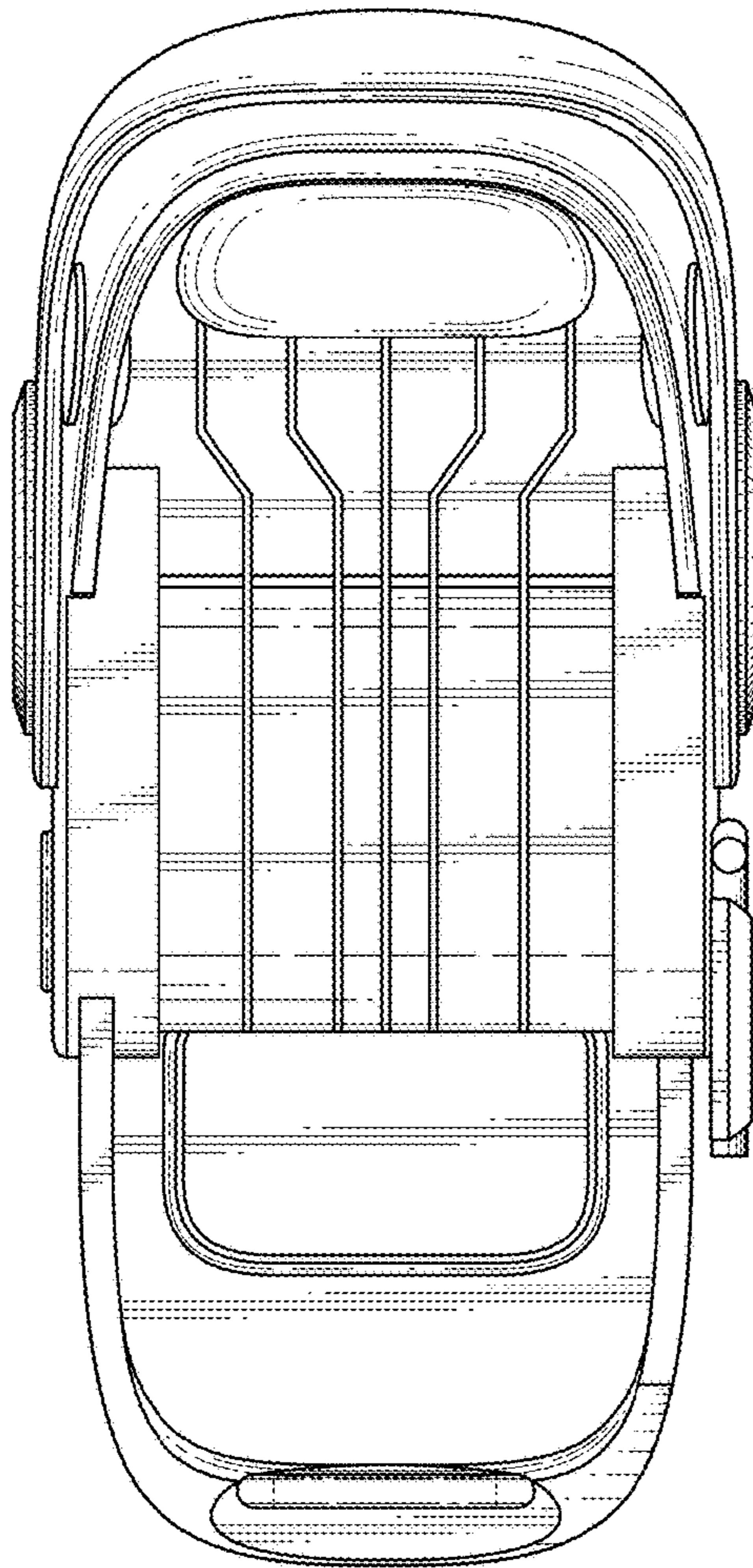


FIG. 7



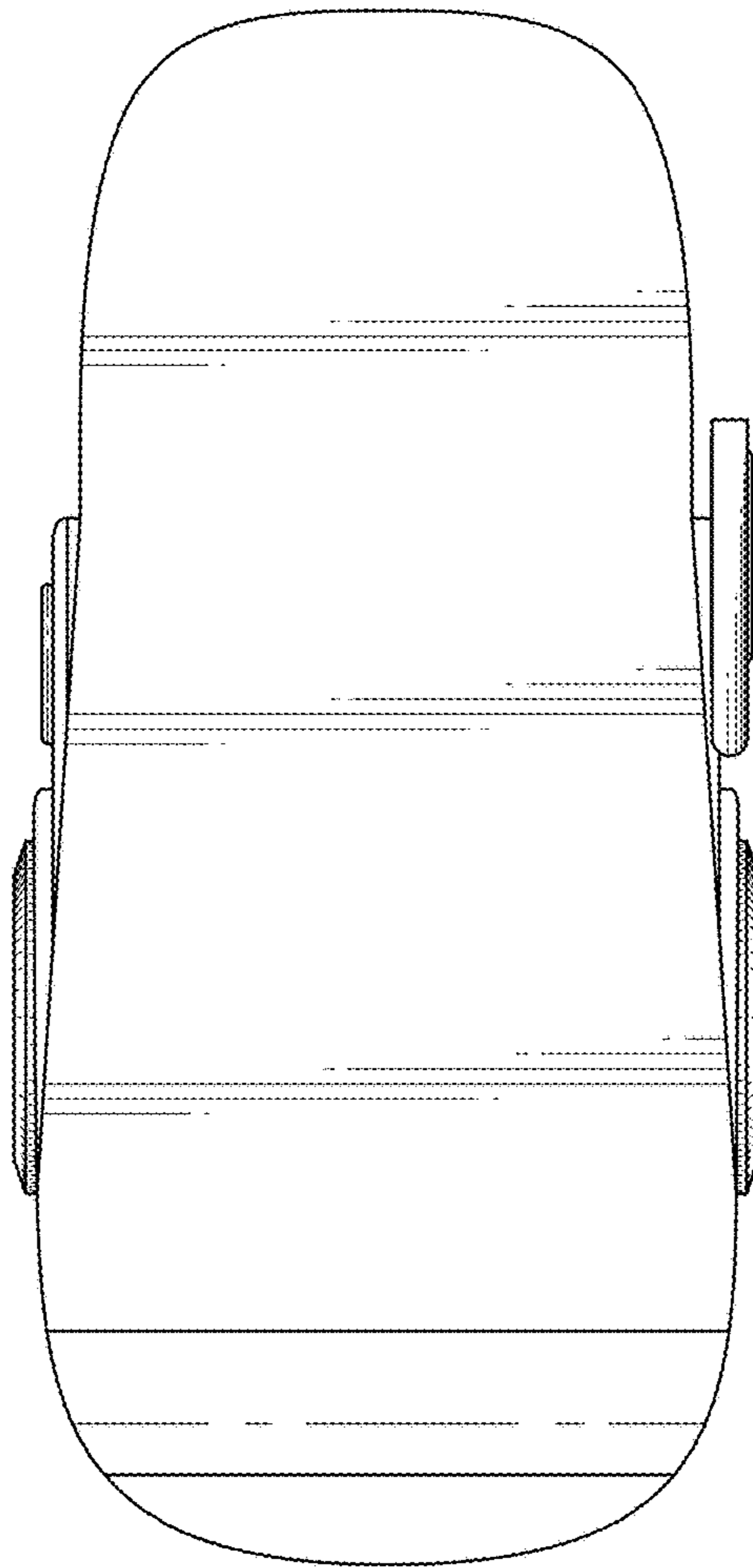


FIG. 8