



US00D852524S

(12) **United States Design Patent**  
**Peterson et al.**

(10) **Patent No.:** **US D852,524 S**  
(45) **Date of Patent:** **\*\* Jul. 2, 2019**

(54) **SEATING ARRANGEMENT**  
(71) Applicant: **Steelcase Inc.**, Grand Rapids, MI (US)  
(72) Inventors: **Gordon J. Peterson**, Rockford, MI (US); **Robert J. Battey**, Middleville, MI (US); **Gary Lee Karsten**, Wyoming, MI (US); **Mark Vander Veen**, Hudsonville, MI (US); **Nickolaus William Charles Deevers**, Holland, MI (US); **Peter A. Boeckel**, Hong Kong (HK)

5,447,357 A 9/1995 Dauphin  
D408,161 S 4/1999 Caruso  
5,975,634 A 11/1999 Knoblock et al.  
6,079,785 A 6/2000 Peterson et al.  
D446,954 S 8/2001 Sottsass  
D449,172 S 10/2001 Van De Riet et al.  
D449,938 S 11/2001 Vanderiet et al.  
6,343,839 B1 \* 2/2002 Simons, Jr. .... A47C 7/54  
297/411.2  
6,361,110 B2 3/2002 Roslund, Jr. et al.  
D455,571 S 4/2002 Van De Riet et al.  
(Continued)

(73) Assignee: **Steelcase Inc.**, Grand Rapids, MI (US)  
(\*\*) Term: **15 Years**

FOREIGN PATENT DOCUMENTS  
JP 2009106421 A 5/2009  
JP 2011136039 A 7/2011  
(Continued)

(21) Appl. No.: **29/605,424**  
(22) Filed: **May 25, 2017**  
(51) **LOC (11) Cl.** ..... **06-01**  
(52) **U.S. Cl.**  
USPC ..... **D6/366**

*Primary Examiner* — Mimoso De  
(74) *Attorney, Agent, or Firm* — Price Heneveld LLP

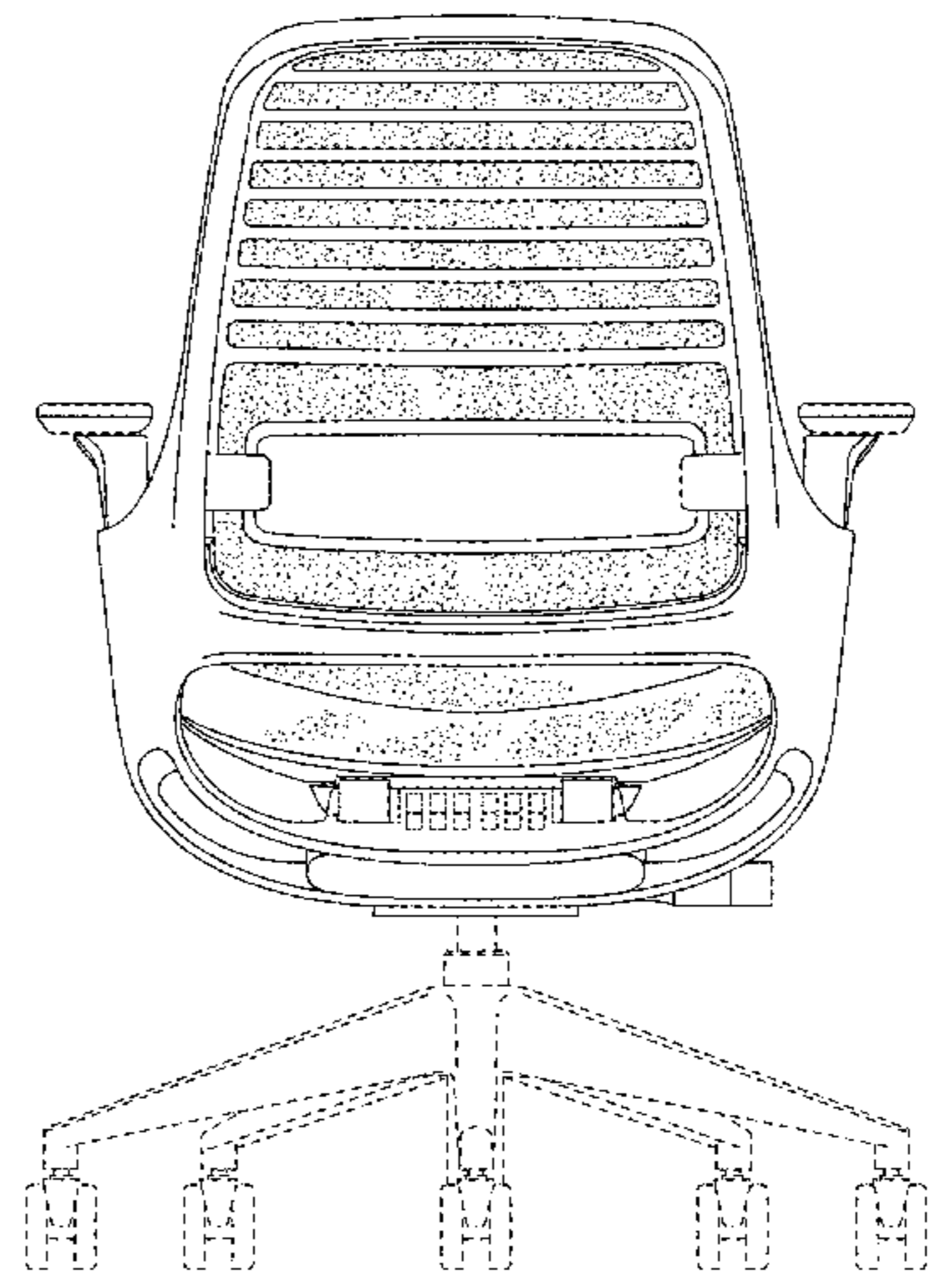
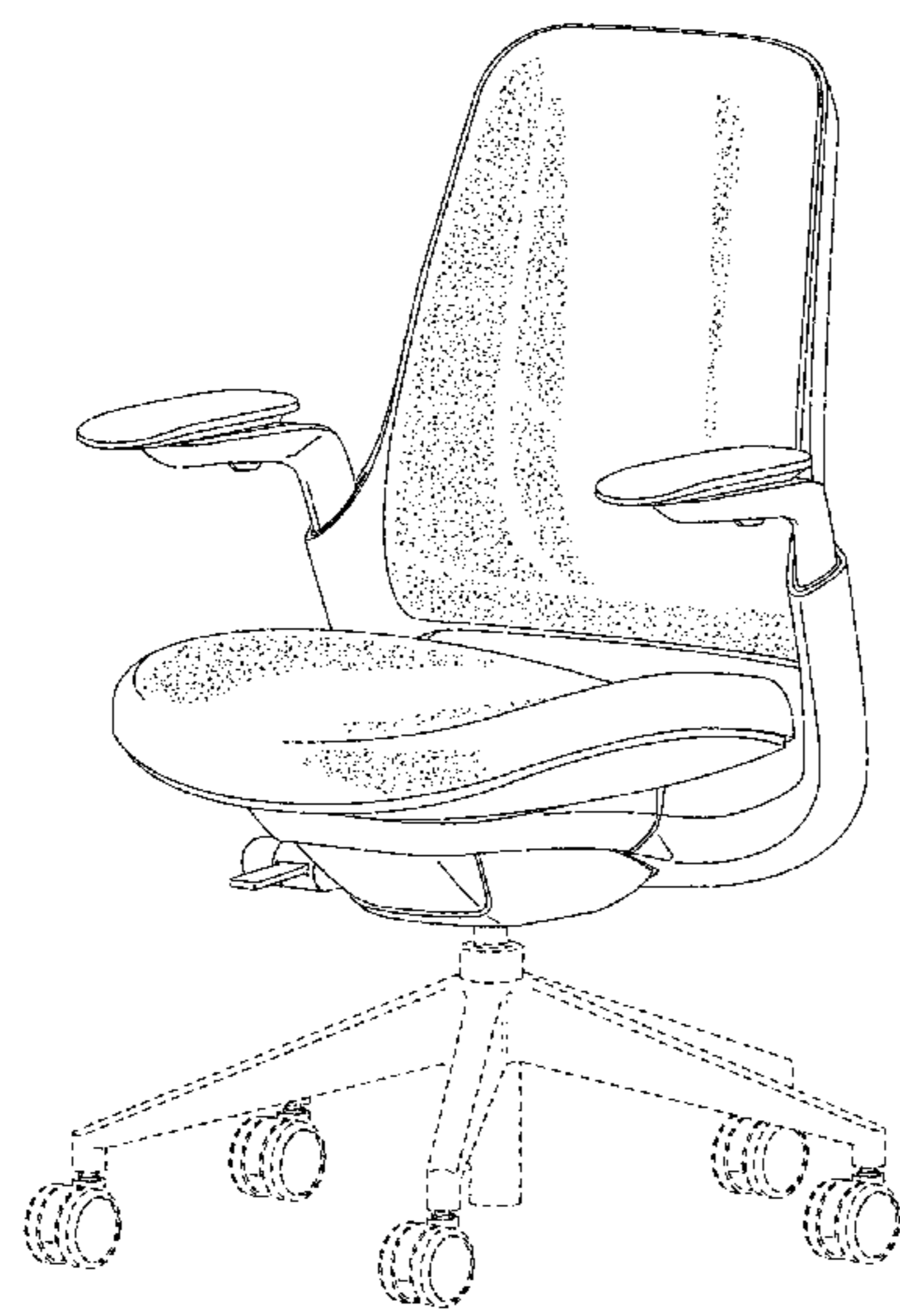
(58) **Field of Classification Search**  
USPC ..... D6/334–336, 364, 365, 366, 374, 379,  
D6/380, 716, 716.1, 716.2, 716.4  
CPC .... A47C 7/38; A47C 7/40; A47C 7/18; A47C  
7/004; A47C 4/028; A47C 7/46; A47C  
7/50; A47C 7/54; B60N 2/66  
See application file for complete search history.

(57) **CLAIM**  
The ornamental design for seating arrangement, as shown.

(56) **References Cited**  
U.S. PATENT DOCUMENTS  
590,045 A 9/1897 Mauchain  
D276,575 S 12/1984 Helmholdt  
D276,576 S 12/1984 Helmholdt  
D295,925 S \* 5/1988 Uredat-Neuhoff ..... D6/366  
4,889,384 A 12/1989 Sulzer  
D345,867 S 4/1994 Narita  
D351,291 S \* 10/1994 Volkle ..... D6/366

**DESCRIPTION**  
FIG. 1 is a perspective view of a seating arrangement embodying the present invention;  
FIG. 2 is a front elevational view of the seating arrangement;  
FIG. 3 is a first side elevational view of the seating arrangement;  
FIG. 4 is a rear elevational view of the seating arrangement;  
FIG. 5 is a second side elevational view of the seating arrangement;  
FIG. 6 is a top plan view of the seating arrangement; and,  
FIG. 7 is a bottom plan view of the seating arrangement.  
The broken lines shown in the drawing are for the purpose of illustrating environmental structure and form no part of the claimed design.

**1 Claim, 7 Drawing Sheets**



(56)

References Cited

U.S. PATENT DOCUMENTS

D456,160 S 4/2002 Van De Riet et al.  
 D456,164 S 4/2002 Vanderiet et al.  
 D456,627 S 5/2002 Pearce et al.  
 D457,739 S 5/2002 Pearce et al.  
 D460,870 S 7/2002 Van De Riet et al.  
 D463,174 S 9/2002 Chu  
 6,598,937 B2 7/2003 Caruso et al.  
 6,688,698 B1 2/2004 Chou et al.  
 D487,197 S 3/2004 Edwards et al.  
 D499,564 S 12/2004 Meda  
 D500,211 S 12/2004 Koch et al.  
 6,837,546 B2 1/2005 Vandeiret et al.  
 6,966,604 B2 11/2005 Stumpf et al.  
 6,974,189 B2 12/2005 Machael et al.  
 7,004,543 B2 2/2006 Caruso et al.  
 7,097,247 B2 8/2006 Battey et al.  
 7,281,764 B2 10/2007 Thole  
 7,293,833 B2 11/2007 Takeuchi et al.  
 D564,264 S 3/2008 Smith et al.  
 7,344,194 B2 3/2008 Maier et al.  
 7,347,495 B2\* 3/2008 Beyer ..... A47C 7/46  
 297/284.3  
 7,568,768 B1 8/2009 Tsai  
 D600,052 S 9/2009 Smith et al.  
 D600,931 S\* 9/2009 Pearson ..... D6/366  
 7,594,700 B2 9/2009 Stumpf et al.  
 7,604,298 B2 10/2009 Peterson et al.  
 D604,527 S 11/2009 Ooki et al.  
 D607,653 S\* 1/2010 Wilkinson ..... D6/366  
 D609,482 S 2/2010 Englisch et al.  
 7,866,750 B2 1/2011 Bock  
 D637,423 S 5/2011 Behar et al.  
 D637,838 S 5/2011 Piretti  
 D639,091 S 6/2011 Behar et al.  
 D643,641 S\* 8/2011 Figueroa ..... D6/366  
 D643,642 S\* 8/2011 Figueroa ..... D6/366  
 7,997,652 B2 8/2011 Roslund et al.  
 D647,738 S 11/2011 Chen  
 D650,206 S 12/2011 Behar et al.  
 D652,647 S\* 1/2012 Schaack ..... D6/366  
 D652,657 S 1/2012 Behar et al.  
 D653,061 S 1/2012 Behar et al.  
 D654,291 S 2/2012 Pearson et al.  
 8,128,175 B2 3/2012 Groelsma et al.  
 D657,166 S 4/2012 Behar et al.  
 D660,056 S 5/2012 Diffrient  
 D660,622 S\* 5/2012 Su ..... D6/716.4  
 8,172,332 B2 5/2012 Masunaga et al.  
 8,210,611 B2 7/2012 Aldrich et al.  
 8,246,117 B2 8/2012 Melhuish et al.  
 D673,385 S 1/2013 Lu  
 D679,107 S\* 4/2013 Darrow ..... D6/366  
 D680,345 S 4/2013 Xingchang  
 D683,150 S 5/2013 Smith et al.

D683,552 S\* 6/2013 Wu ..... D6/366  
 D688,055 S\* 8/2013 Baldanzi ..... D6/366  
 8,602,494 B2 12/2013 Cvek  
 D703,458 S 4/2014 Nakamura et al.  
 D703,459 S 4/2014 Nakamura et al.  
 D704,487 S\* 5/2014 Smith ..... D6/366  
 D704,488 S 5/2014 Massaud  
 D704,945 S 5/2014 Massaud  
 D705,561 S 5/2014 Massaud  
 D706,547 S\* 6/2014 Smith ..... D6/366  
 8,752,896 B2 6/2014 Takeuchi et al.  
 D708,466 S 7/2014 Massaud  
 D717,555 S 11/2014 Massaud  
 8,926,016 B2 1/2015 Behar et al.  
 D724,367 S 3/2015 Sander  
 8,967,724 B2 3/2015 Battey et al.  
 D727,076 S\* 4/2015 Usumoto ..... D6/716  
 D728,292 S 5/2015 Ooki  
 9,095,217 B2 8/2015 Oda  
 9,155,393 B2 10/2015 Hurford et al.  
 D742,674 S 11/2015 Wilkinson et al.  
 9,332,851 B2 5/2016 Machael et al.  
 D763,587 S\* 8/2016 Neil ..... D6/366  
 D763,612 S 8/2016 Goetz  
 D767,318 S 9/2016 Kubryk  
 D773,872 S 12/2016 Kim  
 9,578,969 B1\* 2/2017 Su ..... A47C 7/004  
 D785,353 S 5/2017 Zhou  
 D785,390 S\* 5/2017 Tong ..... D6/716  
 D789,129 S 6/2017 Fromme-Ruthmann  
 D792,120 S\* 7/2017 Webb ..... D6/366  
 D792,717 S\* 7/2017 Webb ..... D6/366  
 D795,602 S\* 8/2017 Neil ..... D6/366  
 D801,741 S\* 11/2017 Zhu ..... D6/716  
 2005/0099055 A1 5/2005 Koepke et al.  
 2008/0258531 A1 10/2008 Lu  
 2009/0021065 A1 1/2009 Brauning  
 2009/0085388 A1 4/2009 Parker et al.  
 2010/0078975 A1 4/2010 Kang  
 2011/0062758 A1 3/2011 Wiese  
 2011/0181086 A1 7/2011 Pfeifer et al.  
 2012/0161483 A1 6/2012 Hayashi  
 2014/0084652 A1 3/2014 Norman et al.  
 2014/0265493 A1 9/2014 Machael et al.  
 2015/0108809 A1 4/2015 Romero  
 2015/0123441 A1 5/2015 Duke  
 2015/0296989 A1 10/2015 Machael et al.  
 2015/0298587 A1 10/2015 Machael et al.  
 2016/0135603 A1 5/2016 Chan et al.

FOREIGN PATENT DOCUMENTS

JP 5386728 B2 1/2014  
 JP 2016152997 A 8/2016  
 WO 2003099071 A1 12/2003

\* cited by examiner

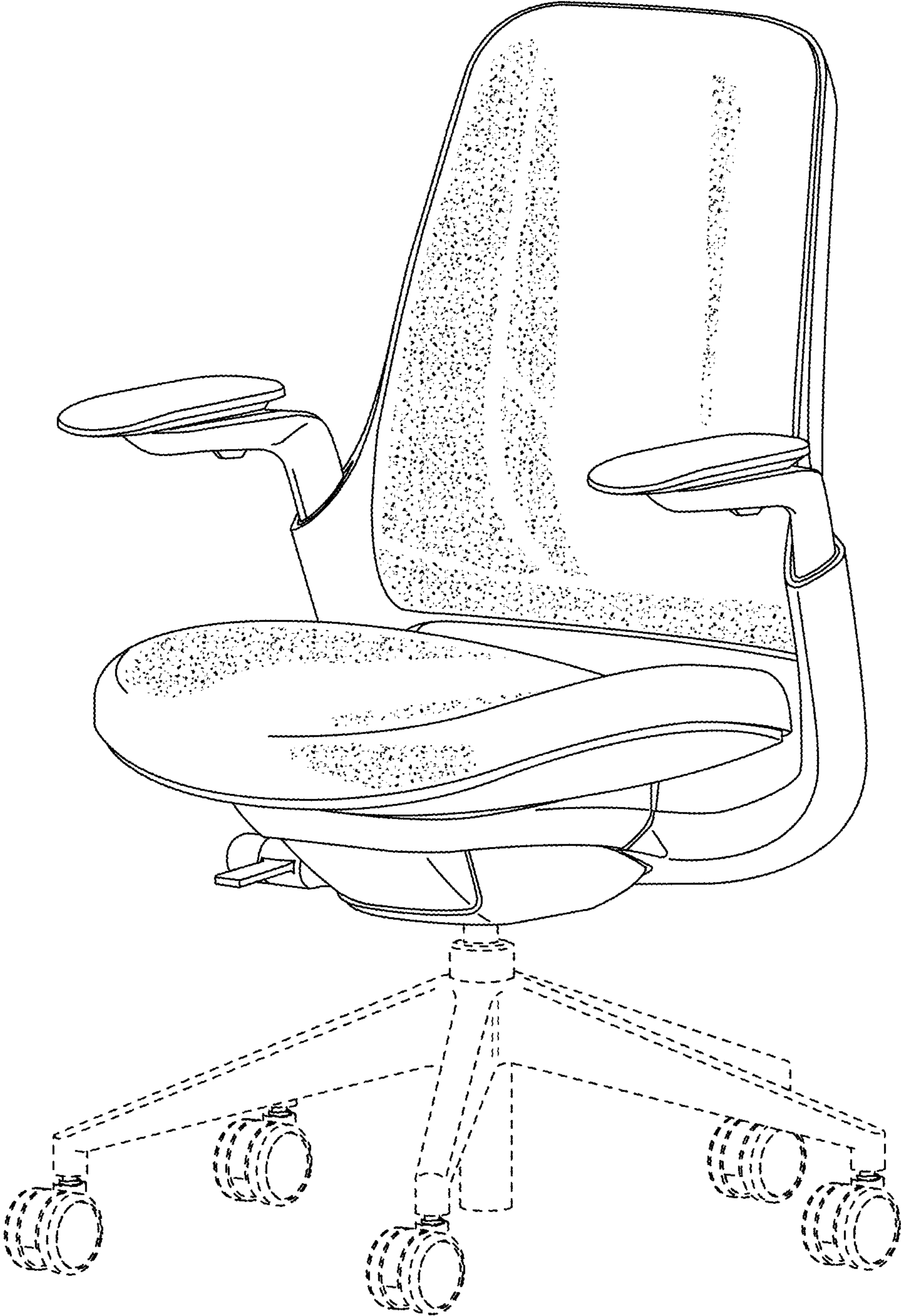


FIG. 1

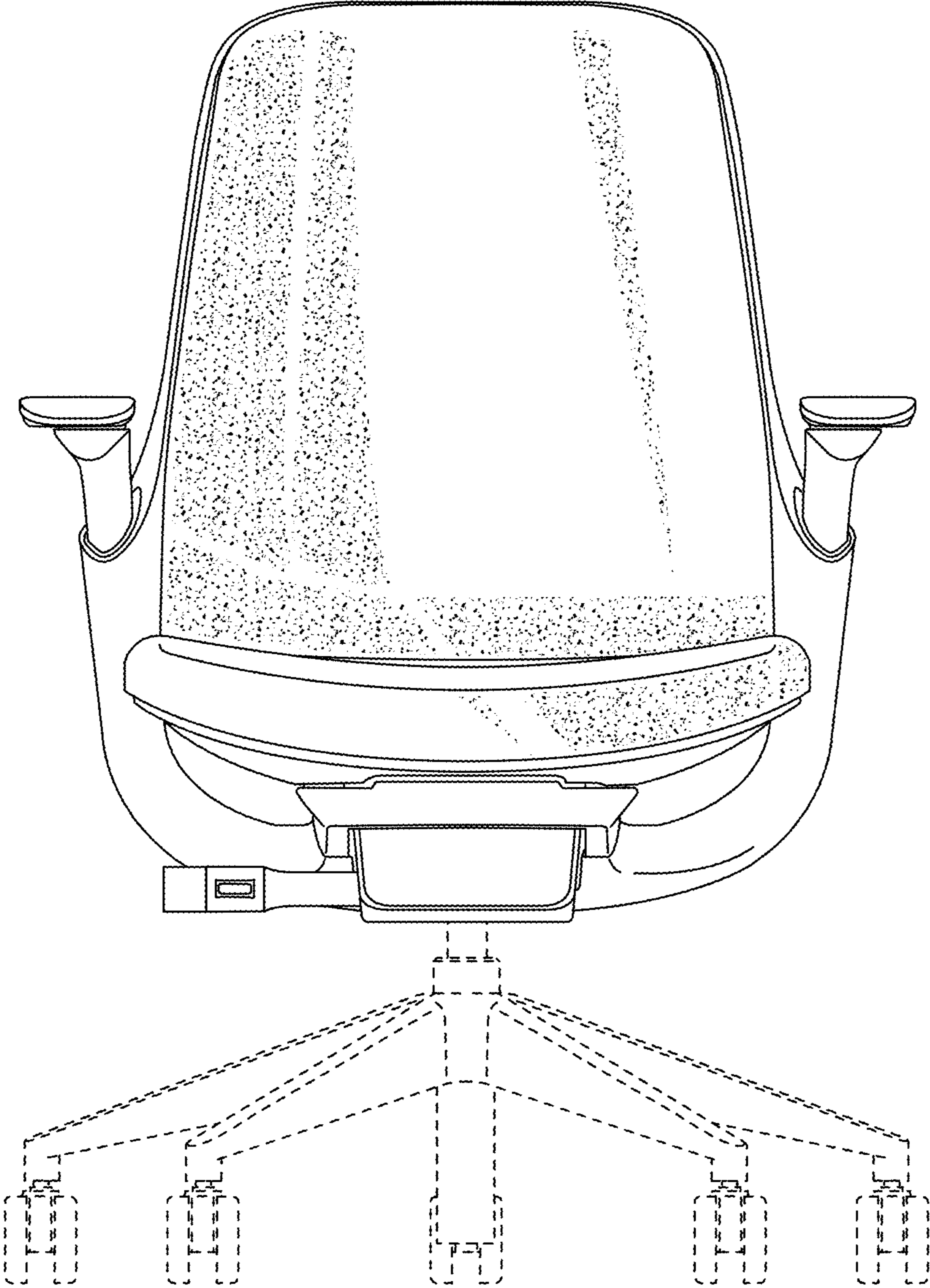


FIG. 2

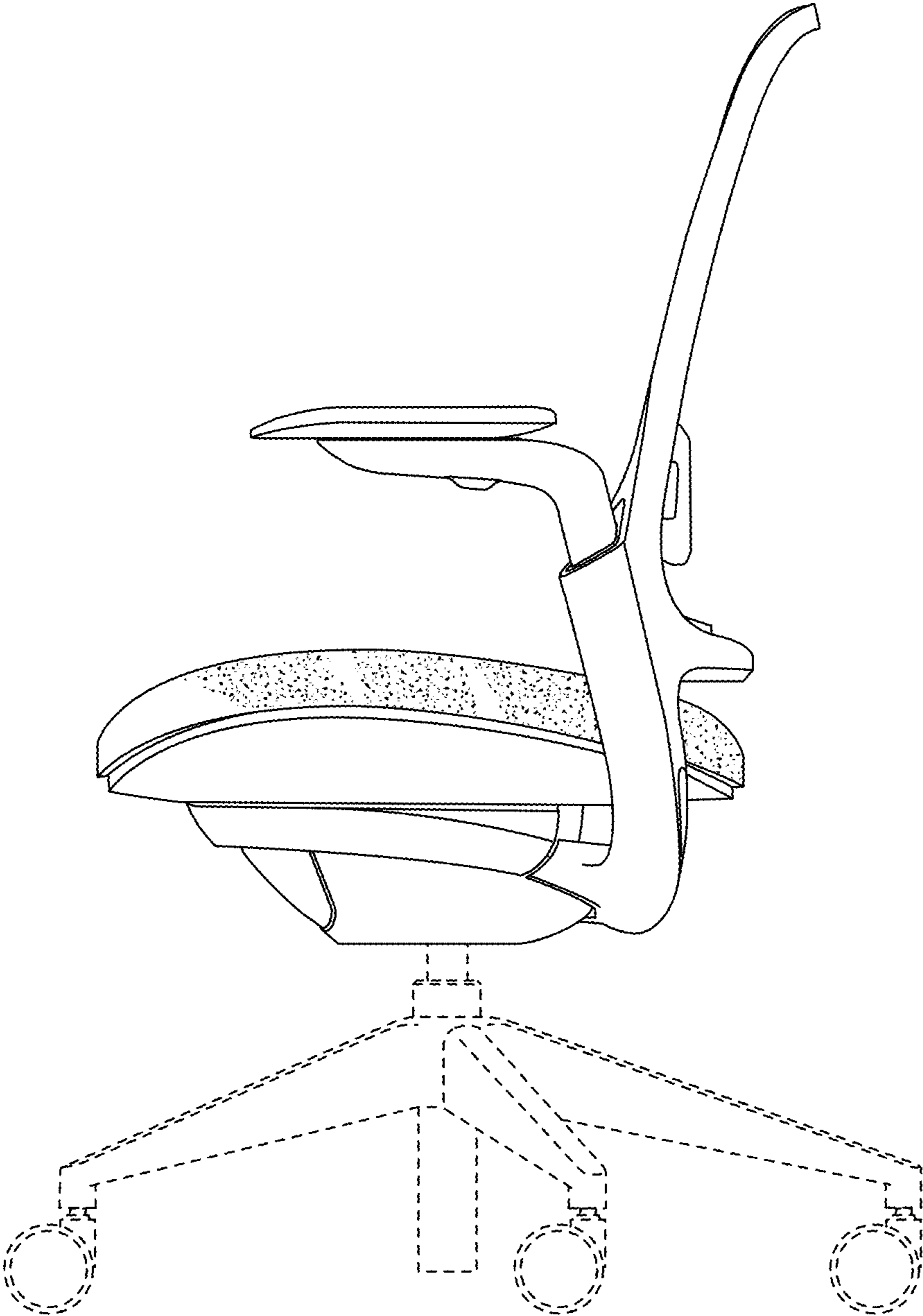


FIG. 3

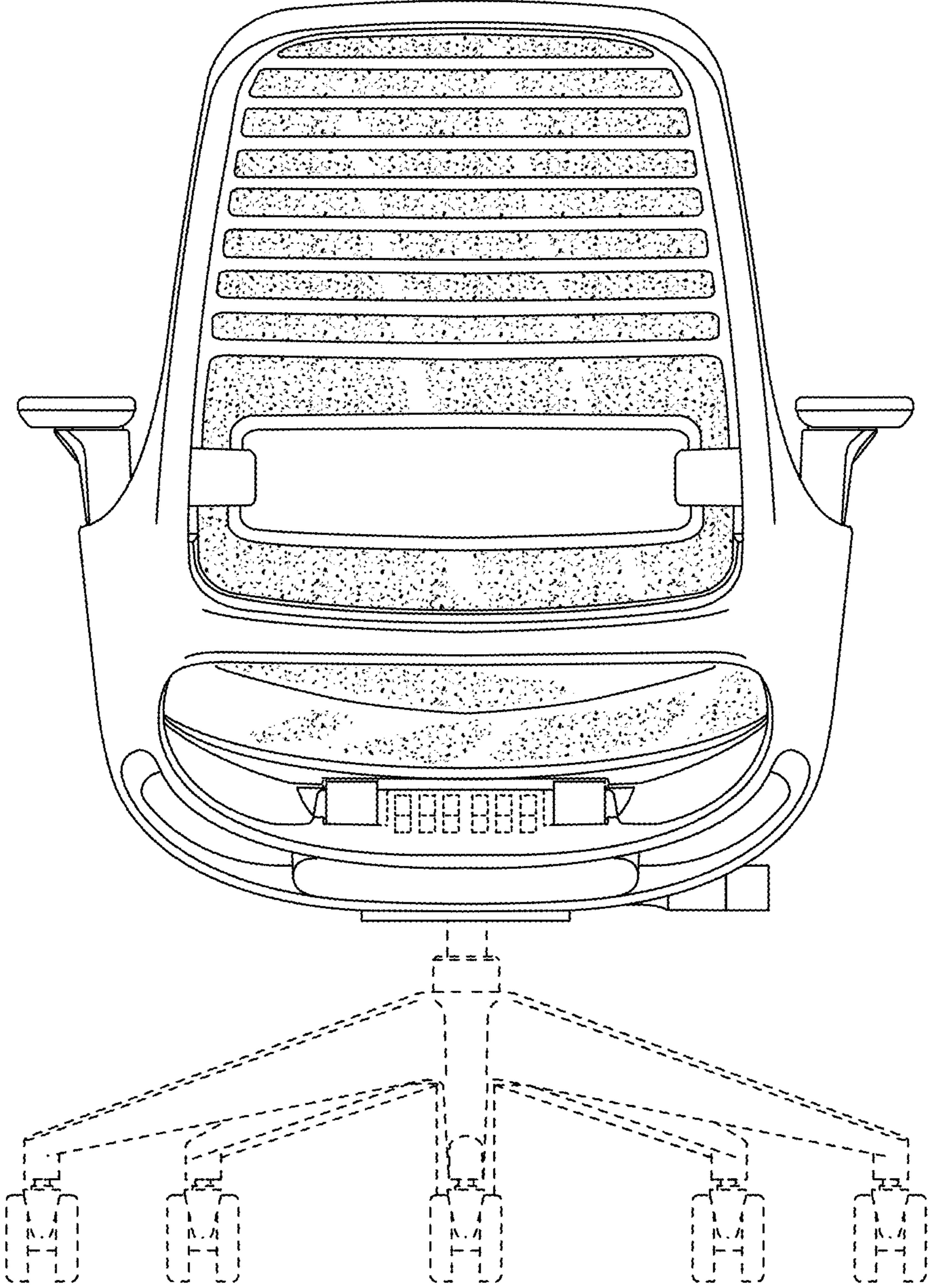


FIG. 4

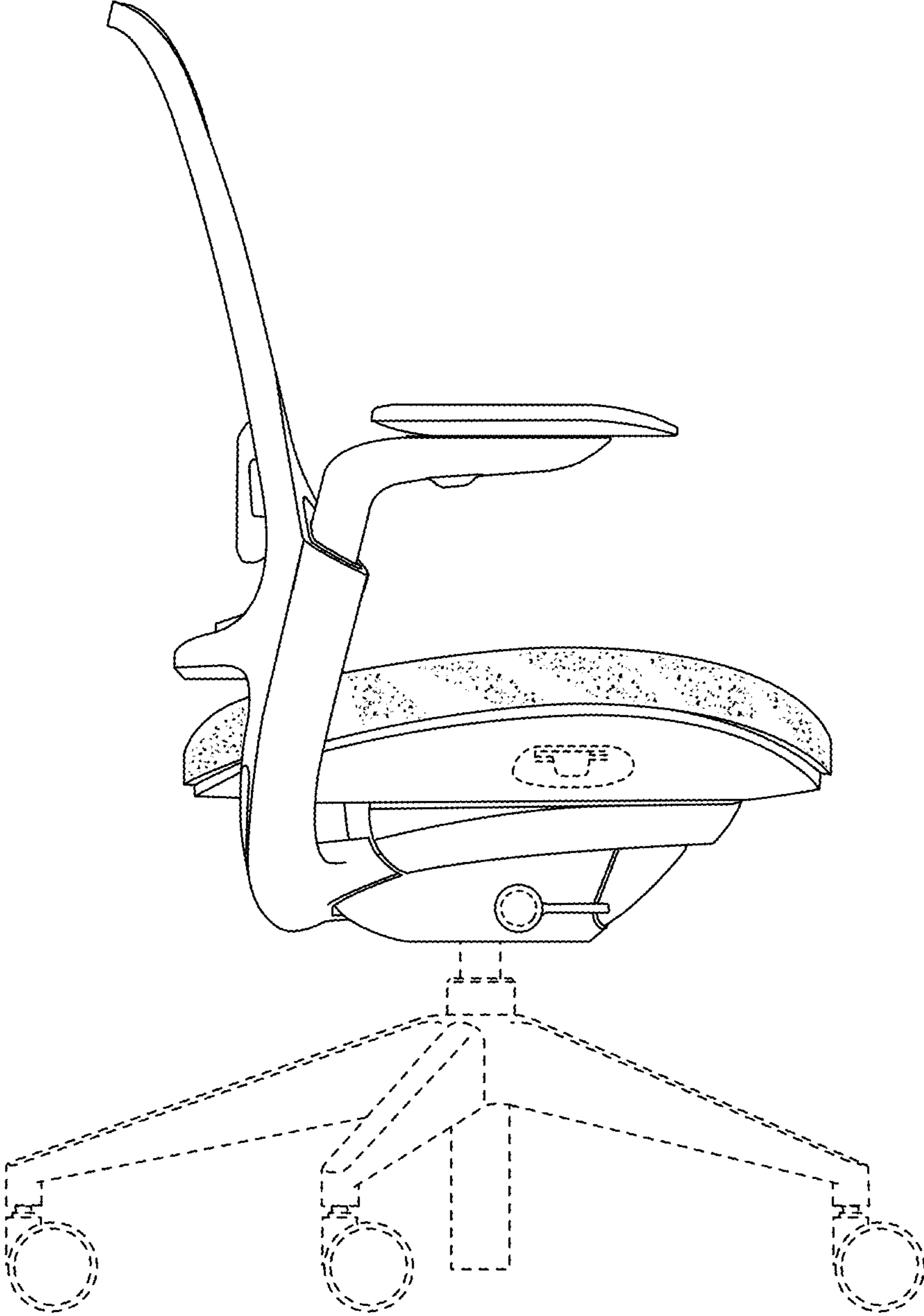


FIG. 5

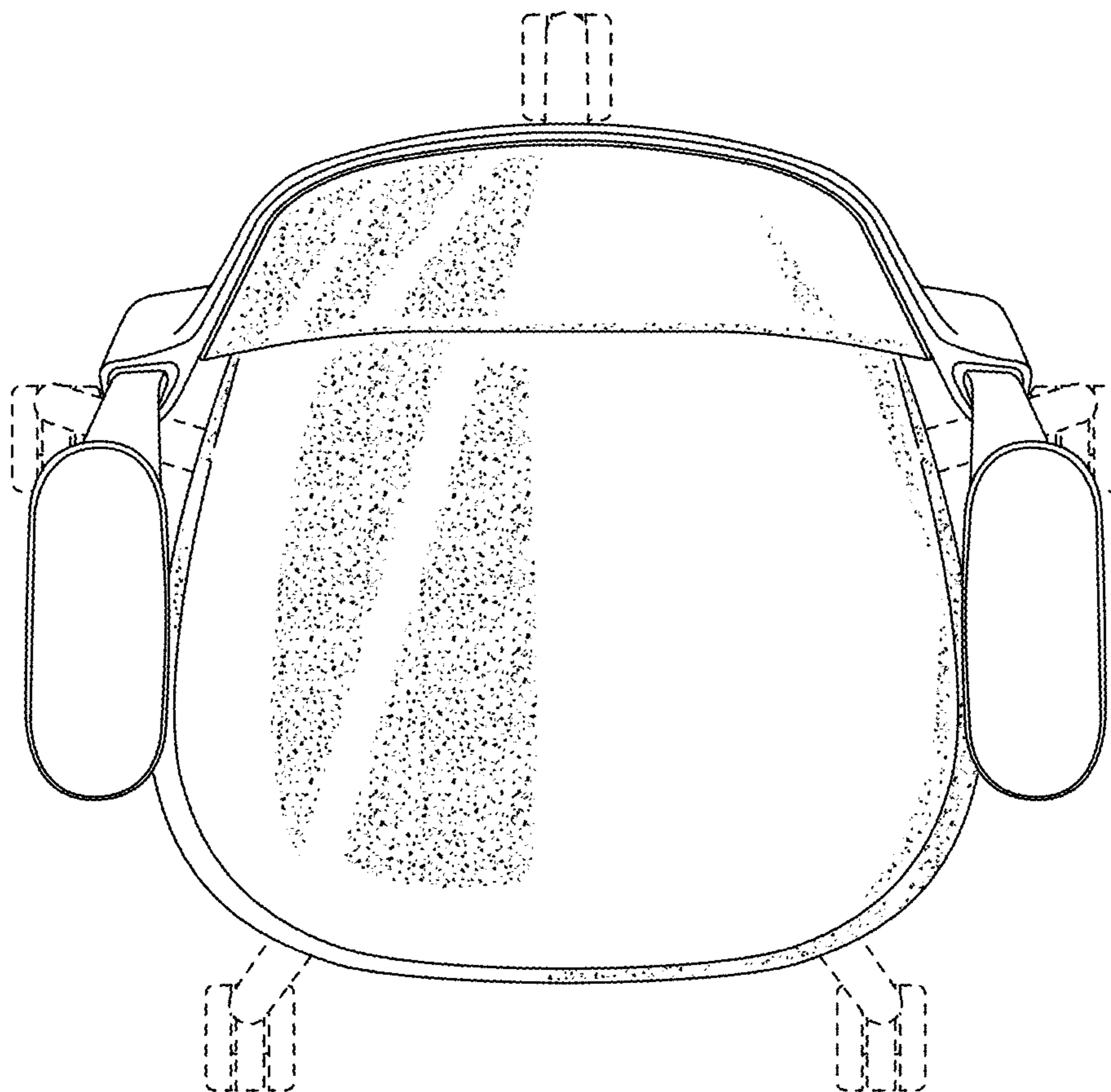


FIG. 6



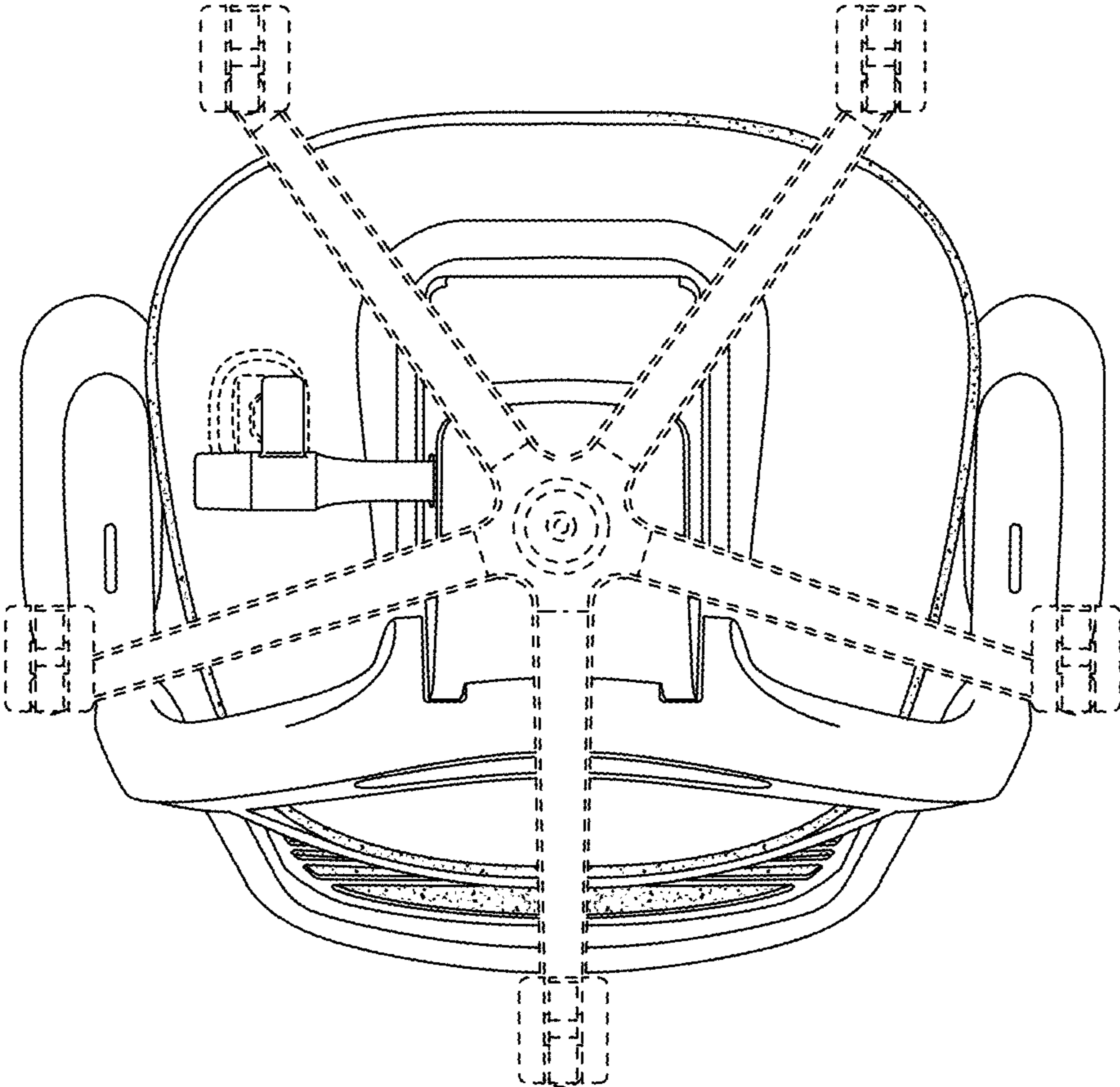


FIG. 7