



US00D852522S

(12) **United States Design Patent** (10) **Patent No.:** **US D852,522 S**
Bremer (45) **Date of Patent:** **** Jul. 2, 2019**

(54) **KNEELING BENCH**

(71) Applicant: **Mark Bremer**, Flagstaff, AZ (US)

(72) Inventor: **Mark Bremer**, Flagstaff, AZ (US)

(**) Term: **15 Years**

(21) Appl. No.: **29/588,885**

(22) Filed: **Dec. 23, 2016**

(51) **LOC (11) Cl.** **06-01**

(52) **U.S. Cl.**

USPC **D6/349**

(58) **Field of Classification Search**

USPC D6/349-353, 360, 364-367, 691-691.9,
D6/692-692.6

CPC A47B 7/00; A47B 7/02; A47B 9/00; A47B
13/02; A47B 23/00; A47B 39/00; A47C
7/002; A47C 7/18; A47C 3/18; A47C
9/007; A47C 9/10; A47C 11/00; A47C
12/00; A47C 13/00

See application file for complete search history.

(56) **References Cited**

U.S. PATENT DOCUMENTS

D25,848 S *	7/1896	Yearicks	D6/349
D154,271 S *	6/1949	Heim	D6/716
D171,652 S *	3/1954	Keady	D6/336
3,283,733 A *	11/1966	Boerma	A01M 31/02 108/150
3,467,033 A *	9/1969	Remer	A47C 9/10 108/115
D229,800 S *	1/1974	Jones	D6/348
D339,003 S *	9/1993	Mele	D6/364
D350,651 S *	9/1994	Emery	D6/364
D485,742 S *	1/2004	Heberle	D8/354
6,997,511 B2 *	2/2006	Marchand	A47C 9/025 297/313
D557,909 S *	12/2007	LaSorsa	D6/349
D558,472 S *	1/2008	Linton	D6/349
D613,082 S *	4/2010	Peel	D6/349
D716,066 S *	10/2014	Henschel	D6/353
D799,841 S *	10/2017	Williams	D6/349

OTHER PUBLICATIONS

Kneeling Bench. [online] Retrieved Oct. 30, 2017 from URL:
https://www.etsy.com/listing/499794232/kneeling-bench?ref=pla_similar_listing_top-1.*

Pi Meditation Bench. [online] Published on Sep. 8, 2015. Retrieved
Oct. 30, 2017 from URL:https://www.etsy.com/listing/213480824/pi-meditation-bench-made-of-poplar-wood?ga_order=most_relevant&ga_search_type=all&ga_view_type=gallery&ga_search_query=meditation%20bench&ref=sc_gallery_2&plkey=2188f76dade6818ab7d284c82d644143d1.*

* cited by examiner

Primary Examiner — Vy N Koenig

(74) *Attorney, Agent, or Firm* — Invention To Patent
Services; Alex Hobson

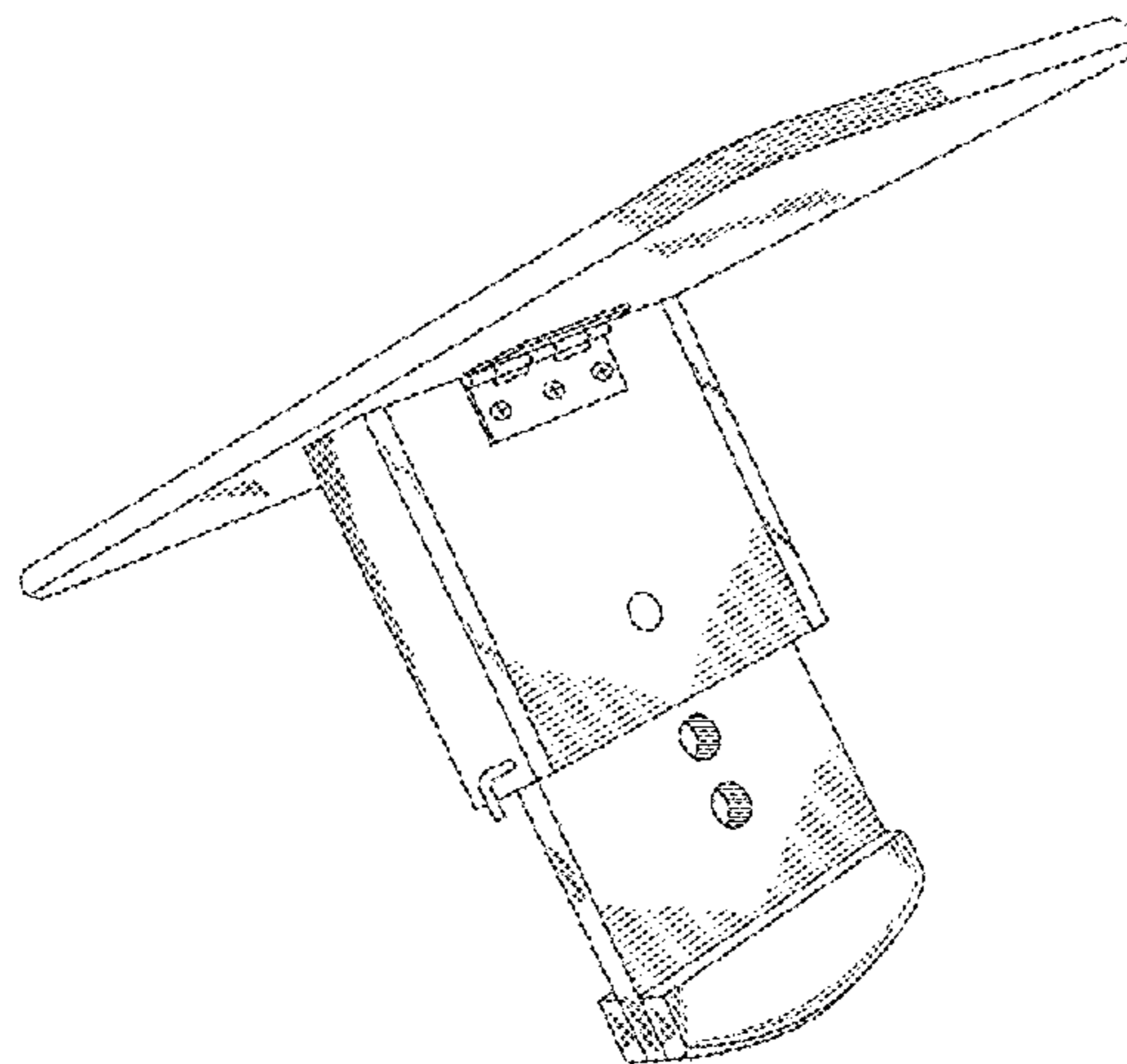
(57) **CLAIM**

The ornamental design for a kneeling bench, as shown and
described.

DESCRIPTION

FIG. 1 is a perspective view of the kneeling bench showing
my new design, with the slat between the two paddles;
FIG. 2 is a front elevation view thereof;
FIG. 3 is a back elevation view thereof;
FIG. 4 is a right side elevation view thereof;
FIG. 5 is a left side elevation view thereof;
FIG. 6 is a top plan view thereof;
FIG. 7 is a bottom plan view thereof;
FIG. 8 is a perspective view of the kneeling bench with the
slat in an alternative position between the two paddles;
FIG. 9 is a perspective view of the kneeling bench with the
slat detached from the two paddles to show aspects of the
design that may not be apparent in the other views; and,
FIG. 10 is a perspective view of the kneeling bench with the
slat detached from the two paddles in an alternative position
to show additional aspects of the design that may not be
apparent in the other views.

1 Claim, 10 Drawing Sheets



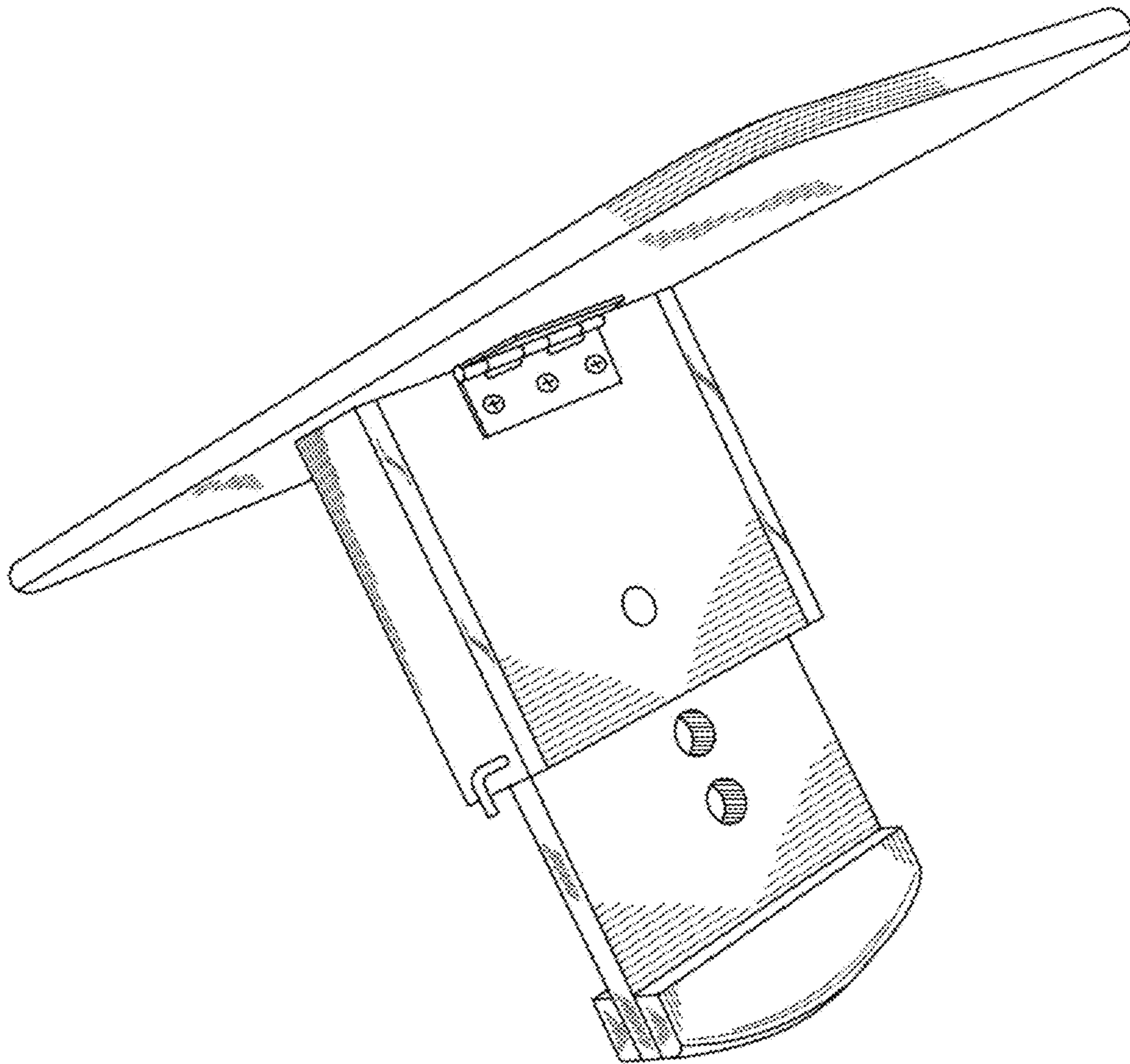


FIG. 1

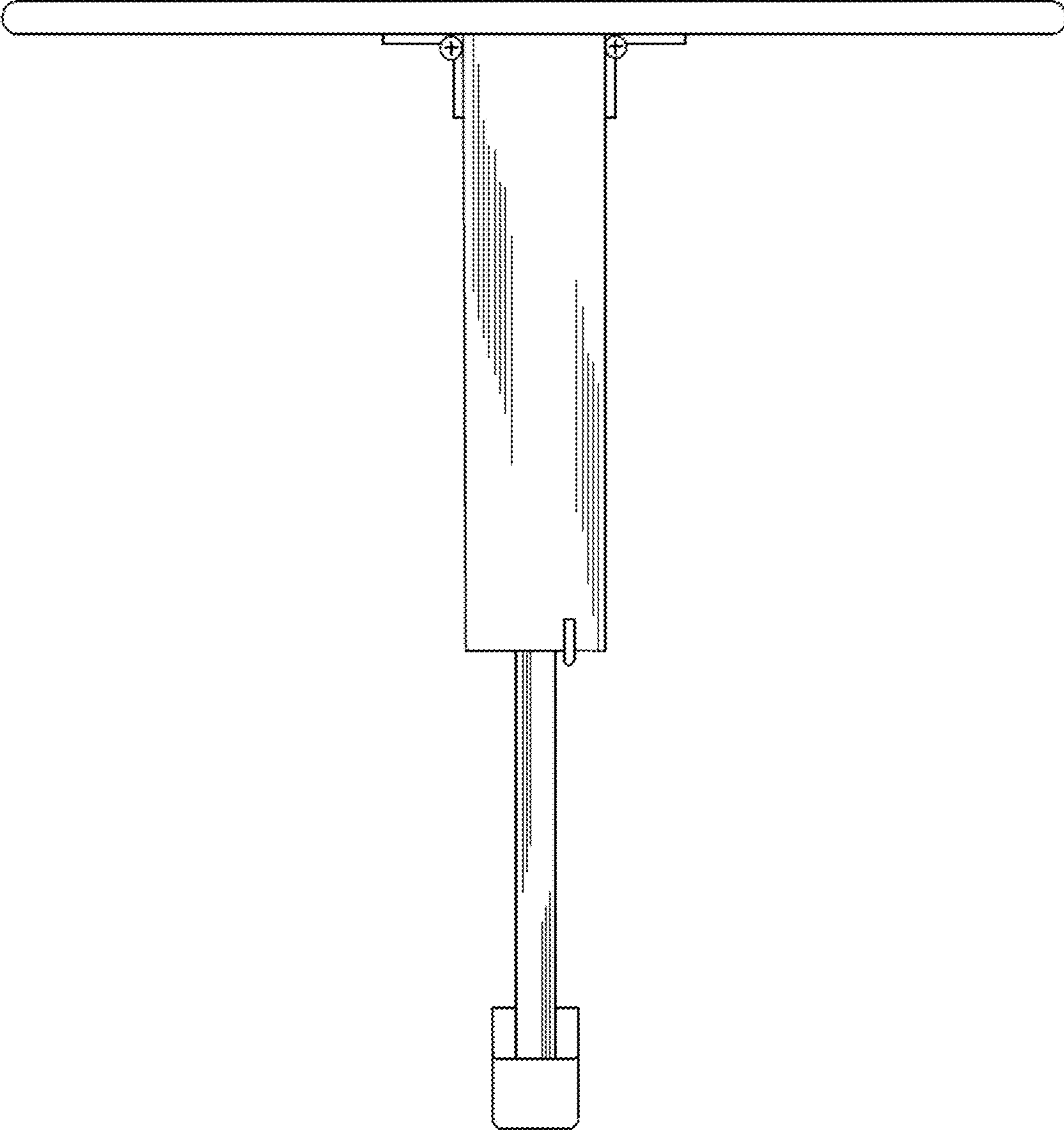


FIG. 2

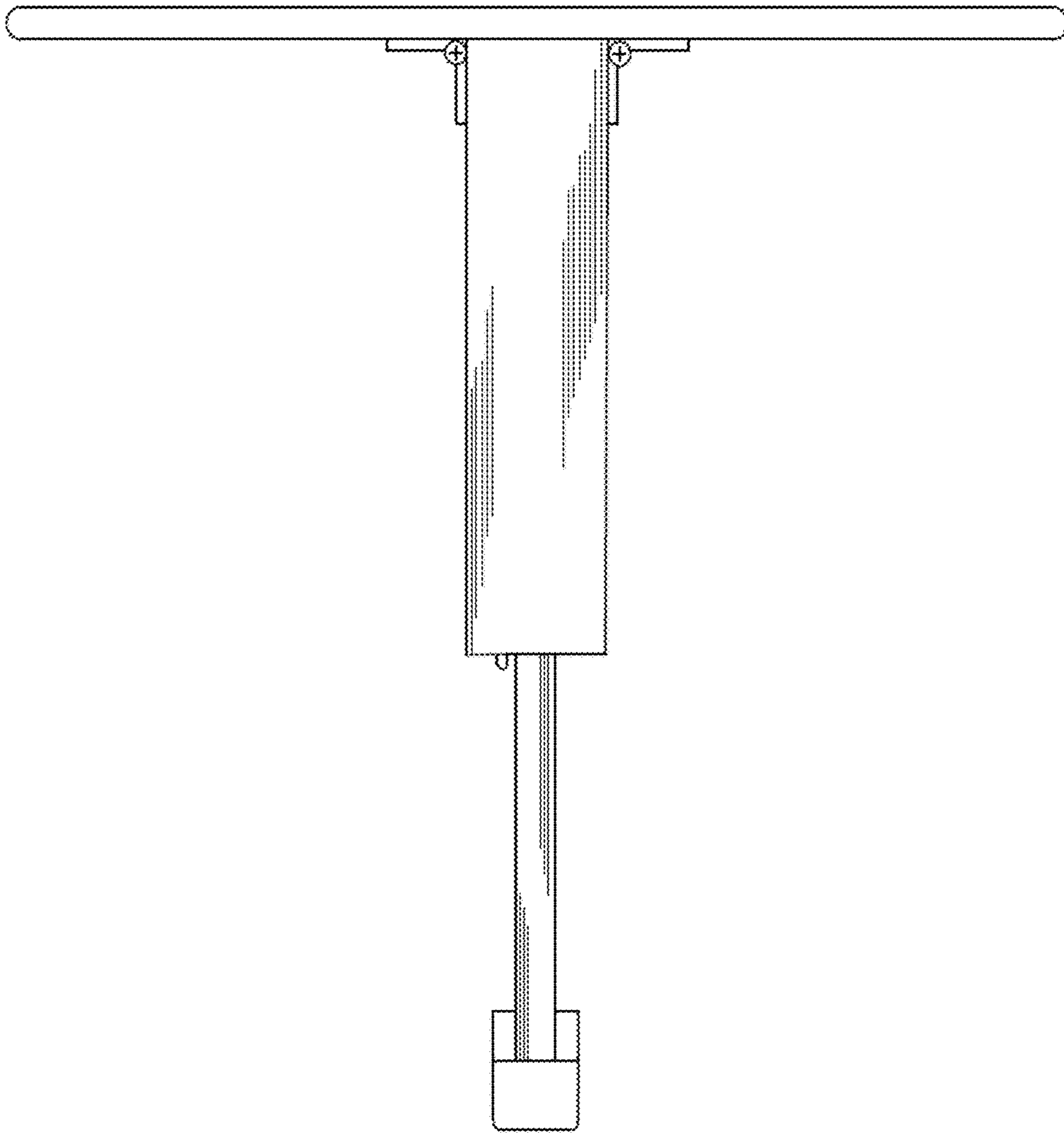


FIG. 3

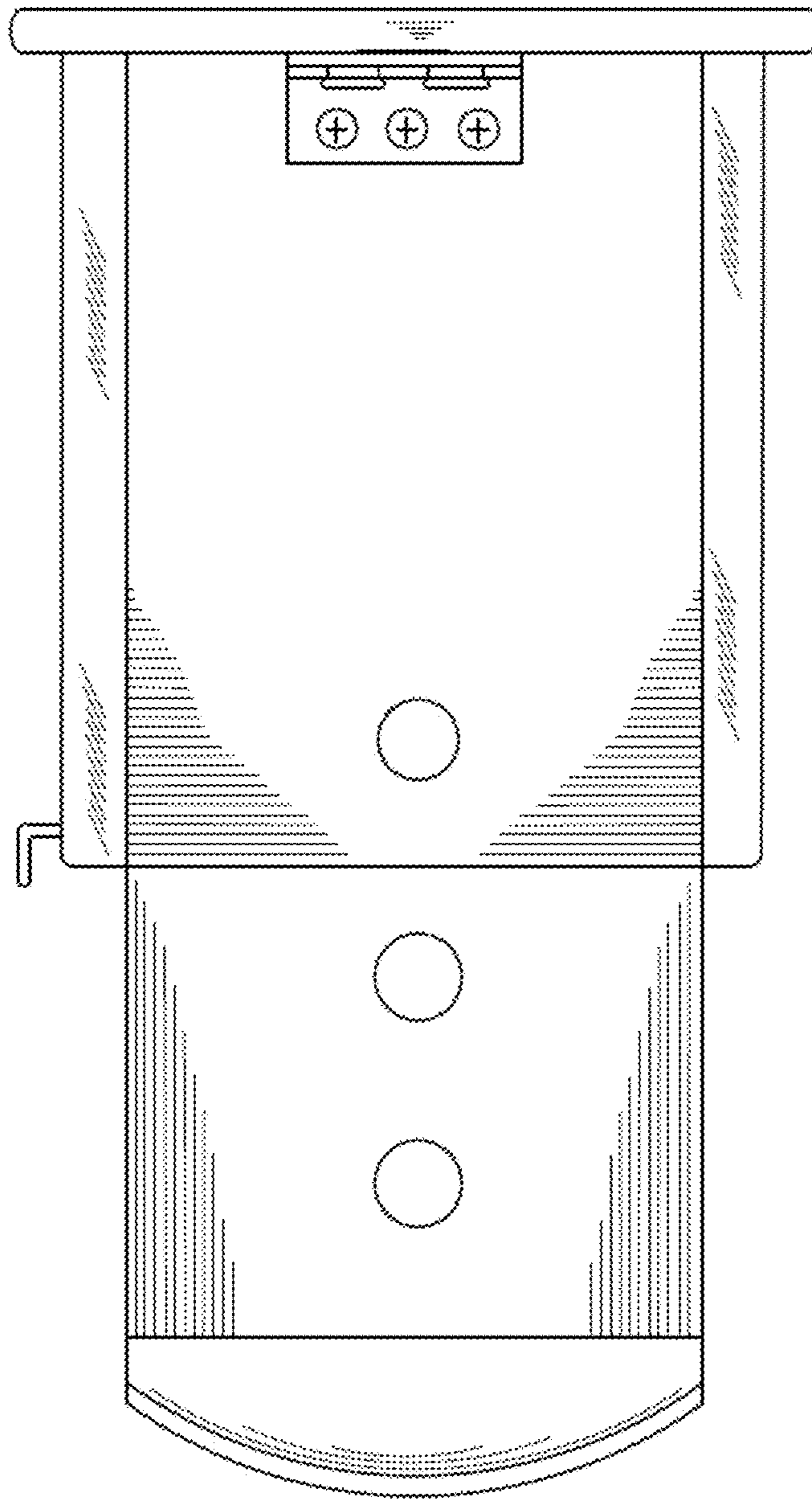


FIG. 4

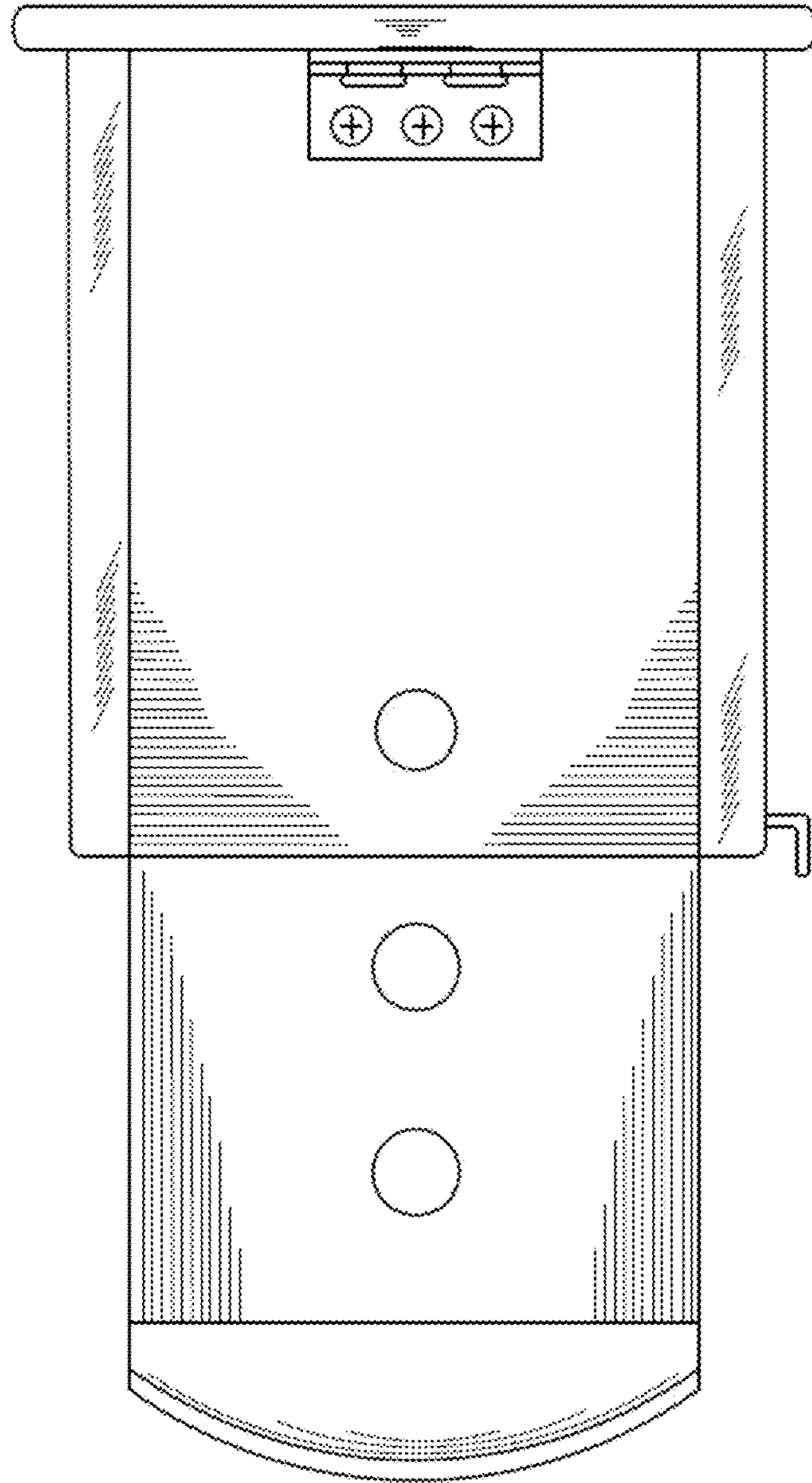


FIG. 5

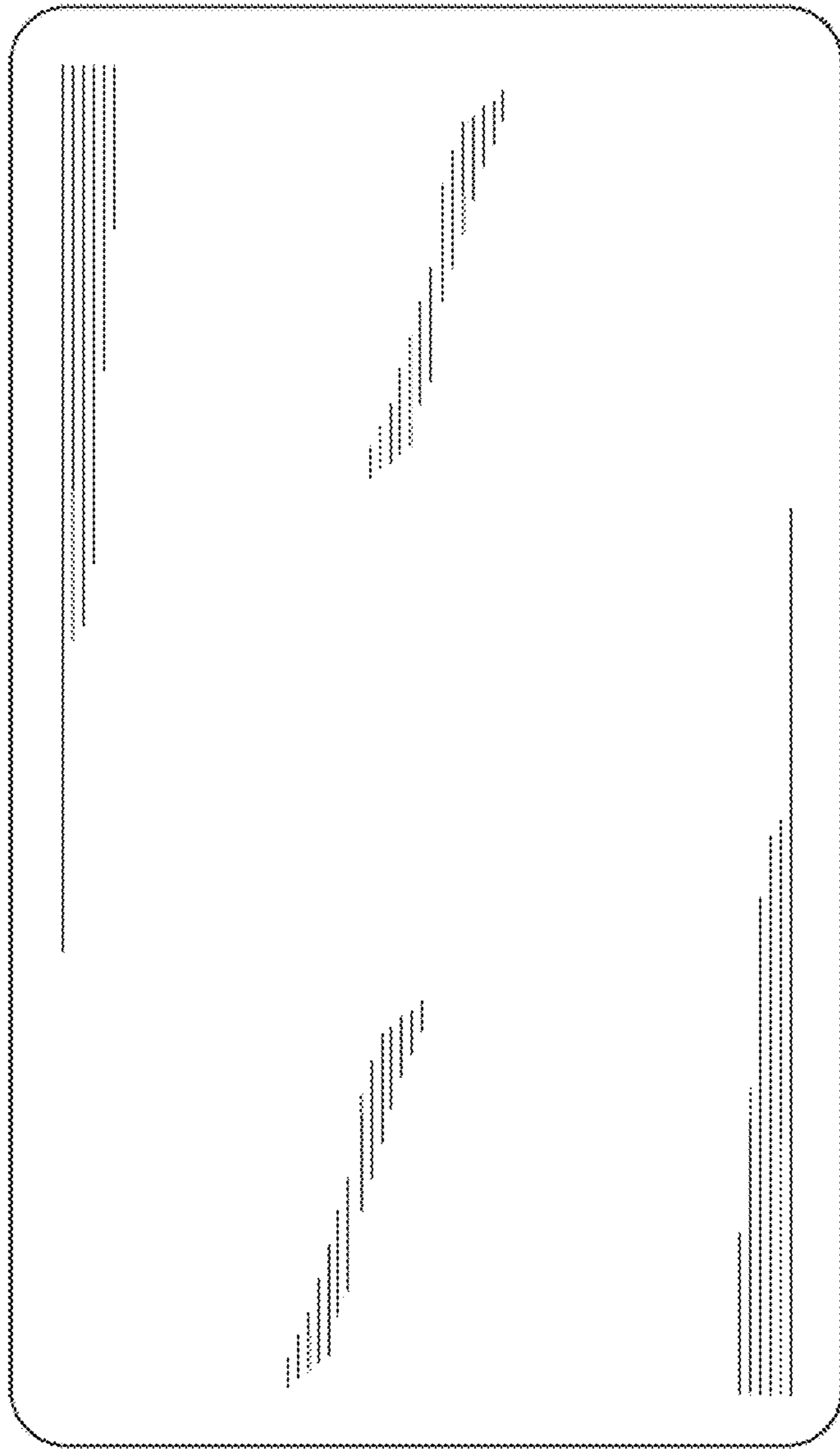


FIG. 6

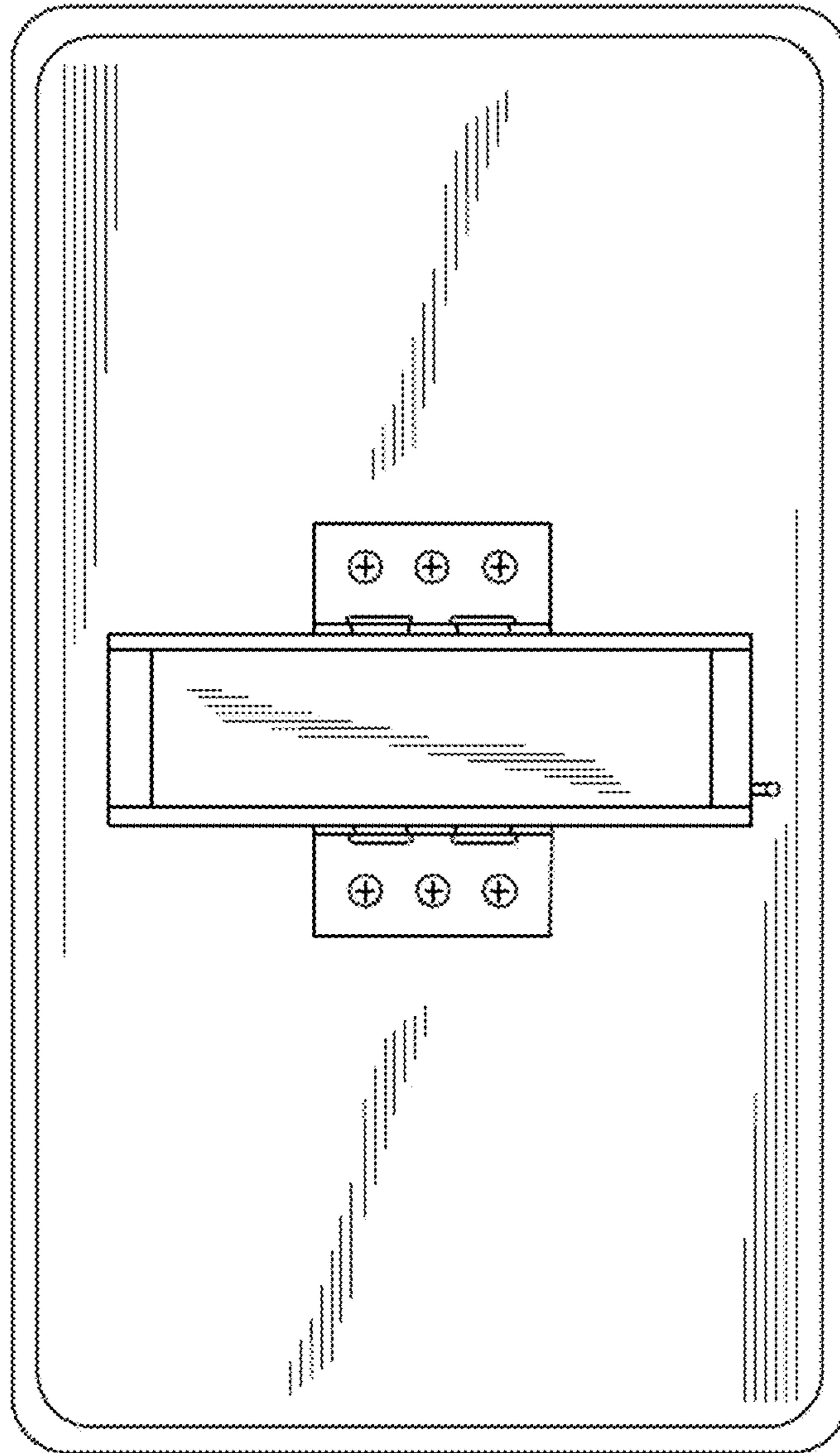


FIG. 7

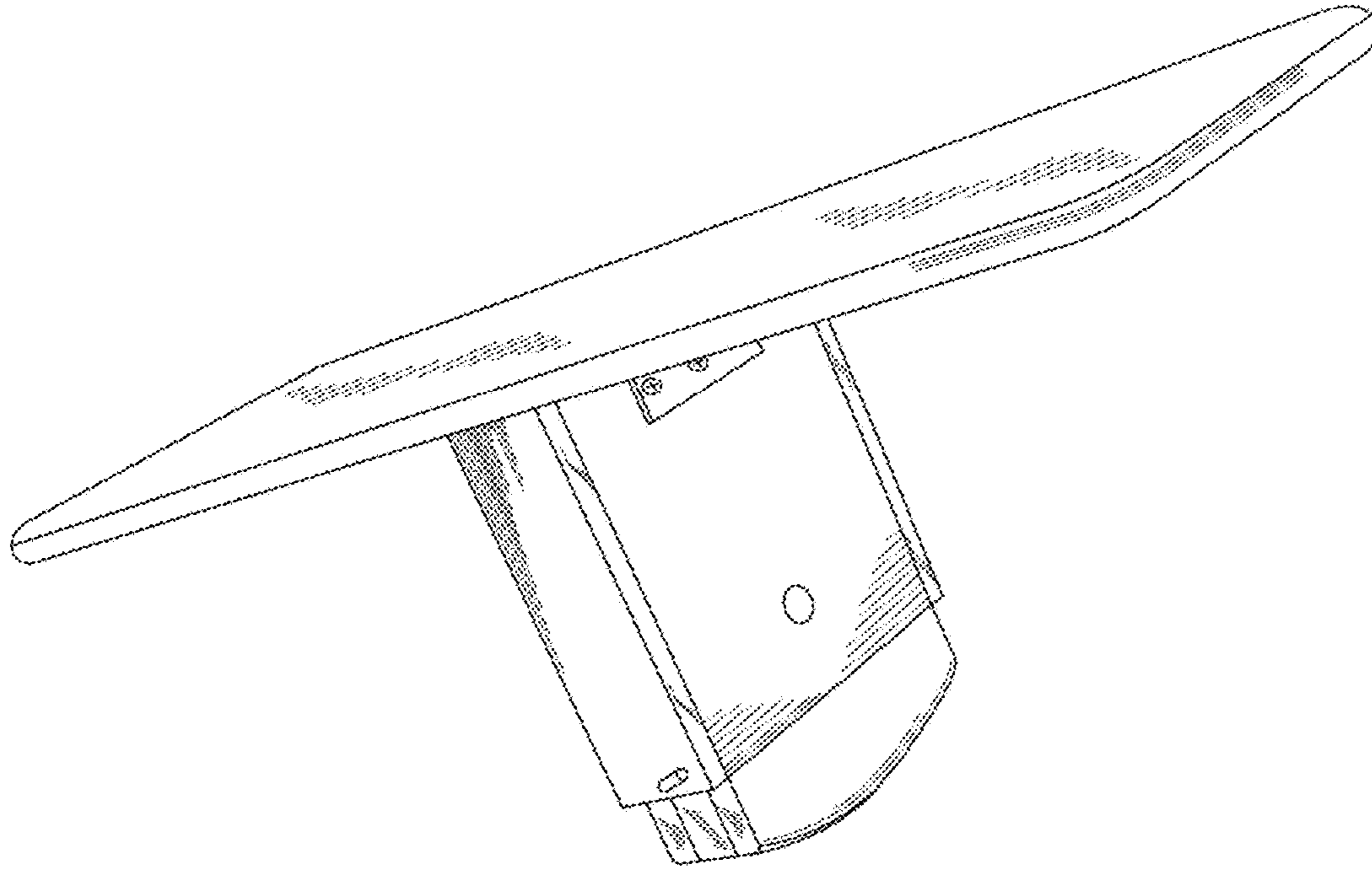


FIG. 8

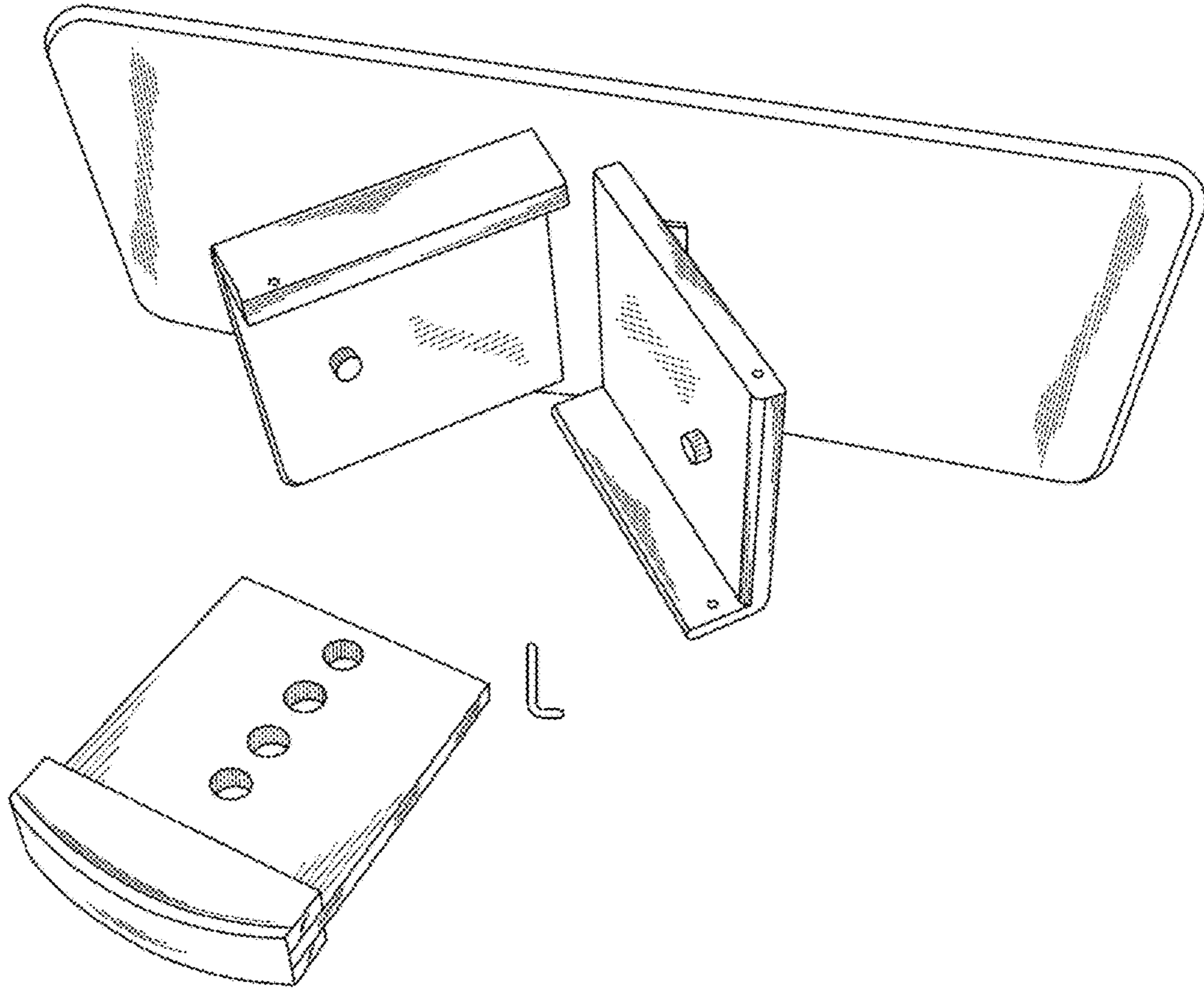


FIG. 9

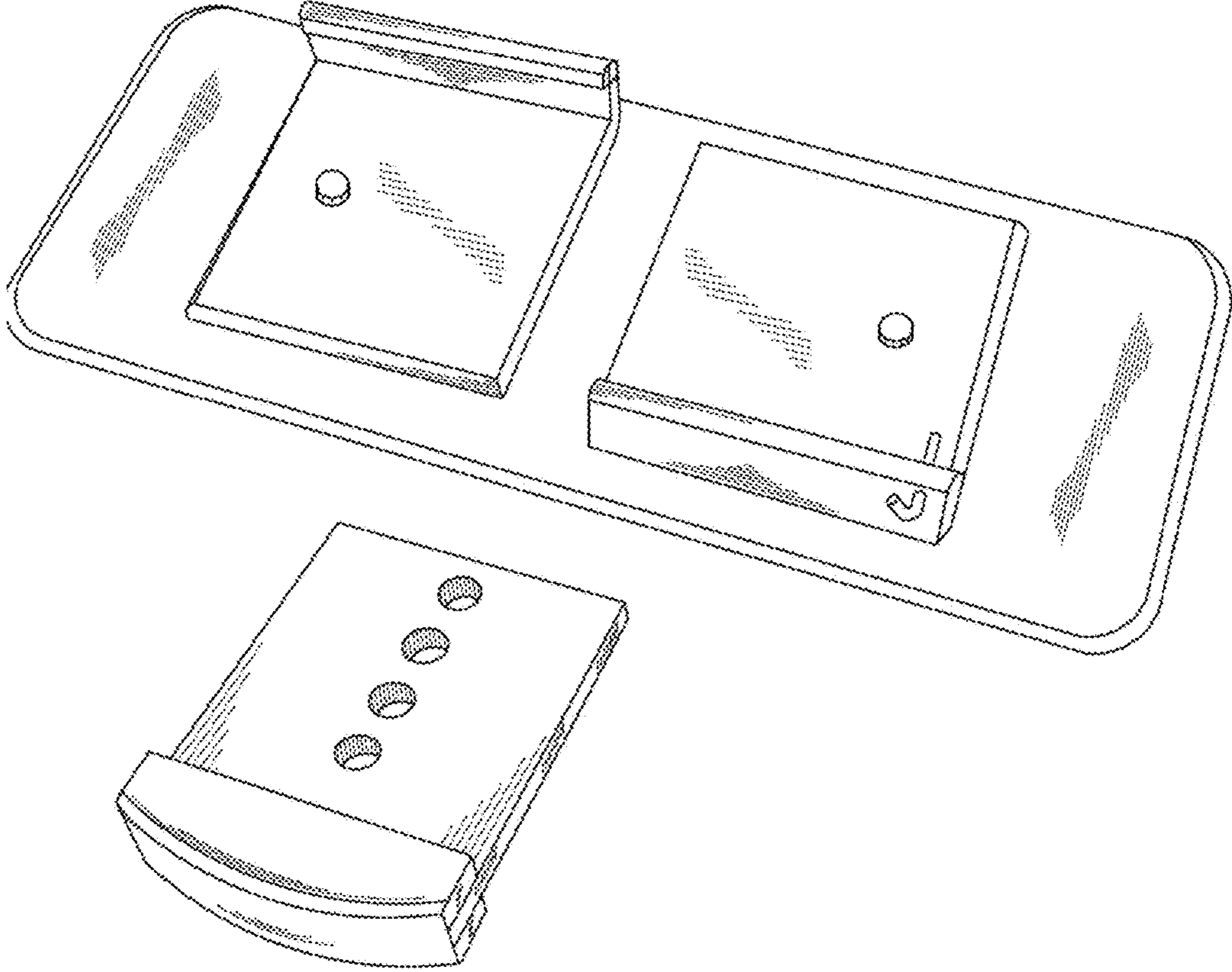


FIG. 10