



US00D852520S

(12) **United States Design Patent**
Dudley

(10) **Patent No.:** **US D852,520 S**
(45) **Date of Patent:** **** Jul. 2, 2019**

- (54) **CLIP HANGER**
- (71) Applicant: **Eric Dudley**, Palm Harbor, FL (US)
- (72) Inventor: **Eric Dudley**, Palm Harbor, FL (US)
- (**) Term: **15 Years**
- (21) Appl. No.: **29/670,894**
- (22) Filed: **Nov. 20, 2018**

Related U.S. Application Data

- (63) Continuation-in-part of application No. 16/178,258, filed on Nov. 1, 2018.
- (51) **LOC (11) Cl.** **06-08**
- (52) **U.S. Cl.**
USPC **D6/323**
- (58) **Field of Classification Search**
USPC D6/315-328, 512, 513, 552, 553, 556,
D6/566, 567, 572; D8/367, 373, 355,
D8/377, 380, 381
CPC A47G 25/32; A47G 25/28; A47G 25/442;
A47G 25/20; A47G 25/24; A47G
25/1421; A47G 25/1428; A47G 25/06;
A47G 25/52; A47G 25/38; A47G 25/50;
A47G 25/183; A47G 25/70; A47G
25/0607; A47G 2025/448; A47G 25/1414;
A47G 25/0678; A47G 25/44; A47G
25/10; A47F 7/19; A47F 5/01; A47F
5/13; A47B 61/003
See application file for complete search history.

(56) **References Cited**

U.S. PATENT DOCUMENTS

- D191,874 S * 12/1961 Yegge 248/312.1
- D283,674 S * 5/1986 Paradis 248/318

- D365,236 S * 12/1995 Stockwell D6/513
- 5,598,956 A * 2/1997 Schenberg A47G 25/08
223/1
- D409,399 S * 5/1999 Robinson D6/323
- D440,144 S * 4/2001 Todd D8/354
- D647,327 S * 10/2011 Levin D6/323
- D647,328 S * 10/2011 Levin D6/323
- D654,639 S * 2/2012 Huber D30/153
- D657,054 S * 4/2012 Bacon D24/128
- D707,456 S * 6/2014 Farias, Jr. D6/323
- D771,960 S * 11/2016 McDonough D6/328
- D789,032 S * 6/2017 Robinson D2/623
- 2015/0376826 A1 * 12/2015 Fogg A47G 25/68
223/61
- 2018/0142833 A1 * 5/2018 Sasson A47G 25/06

* cited by examiner

Primary Examiner — Lauren R Calve

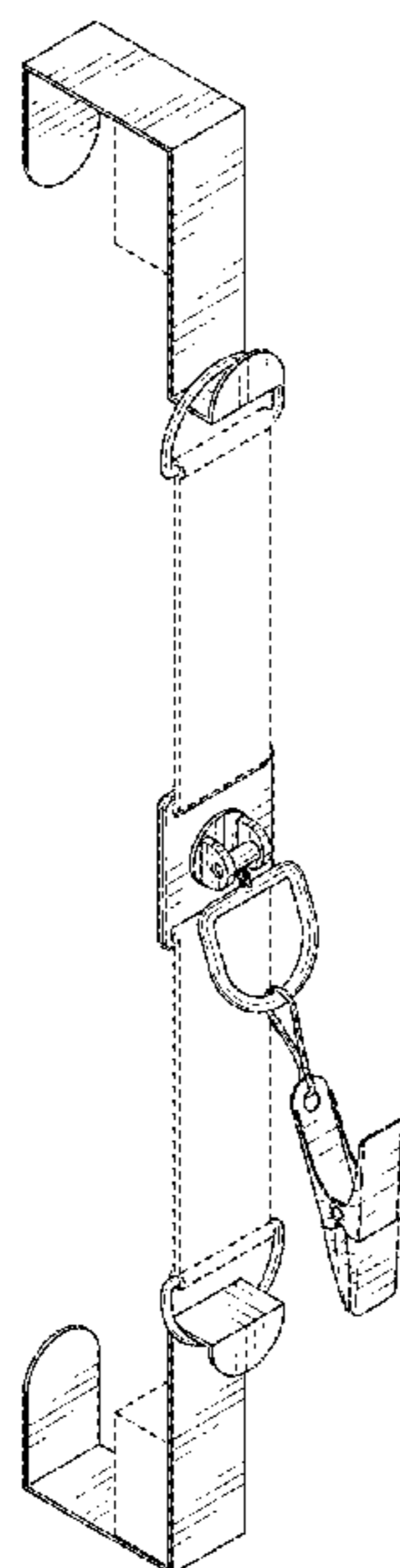
(57) **CLAIM**

The ornamental design for a clip hanger, as shown and described.

DESCRIPTION

FIG. 1 is a perspective view of a clip hanger;
 FIG. 2 is an exploded perspective view thereof;
 FIG. 3 is a top plan view of FIG. 1;
 FIG. 4 is a bottom plan view thereof;
 FIG. 5 is a front elevation view thereof;
 FIG. 6 is a rear elevation view thereof;
 FIG. 7 is a left-side elevation view thereof; and,
 FIG. 8 is a right-side elevation view thereof.
 The broken lines shown are included for the purpose of illustrating environmental structure and form no part of the claimed design.

1 Claim, 8 Drawing Sheets



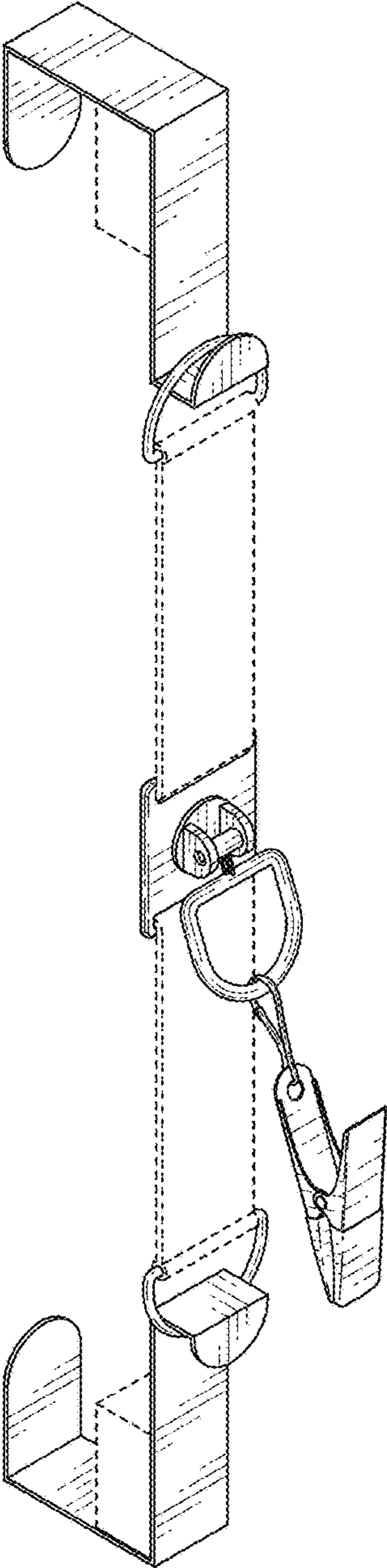


FIG. 1

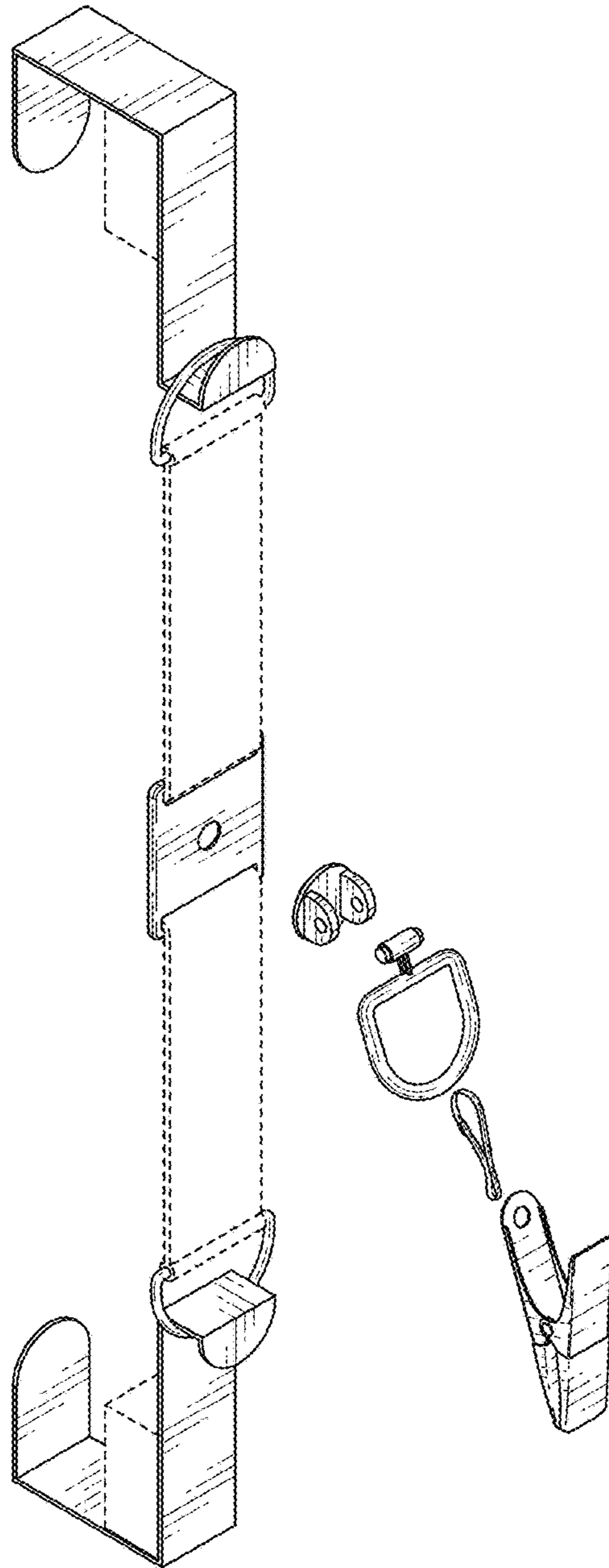


FIG. 2

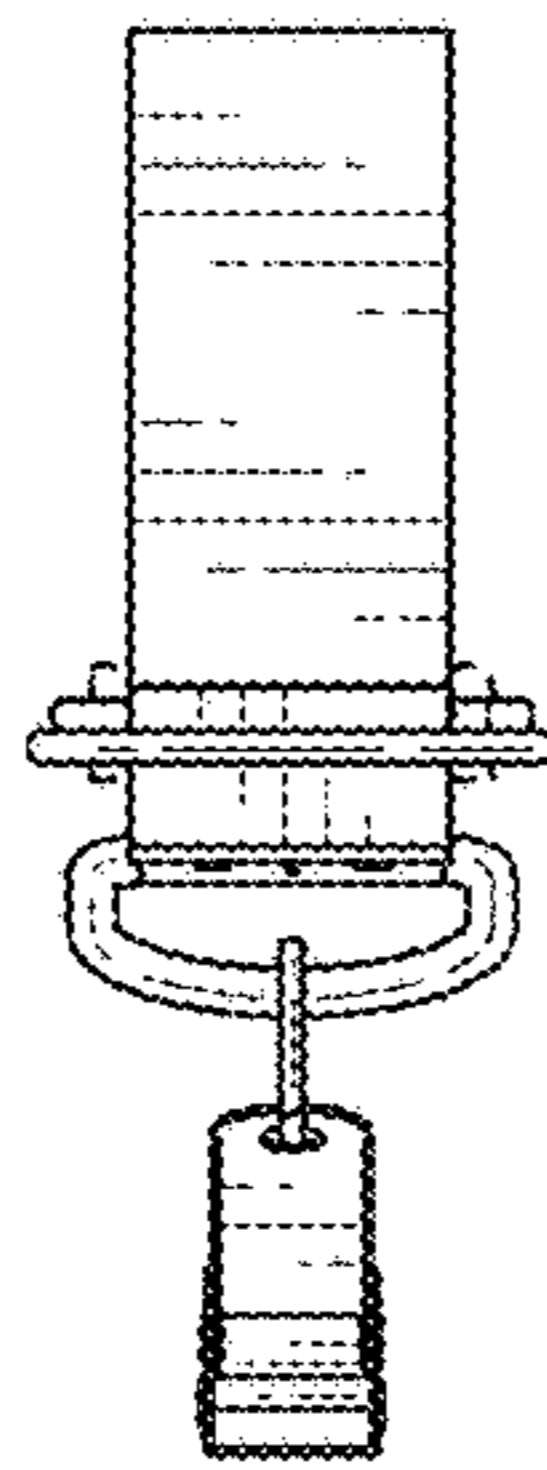


FIG. 3

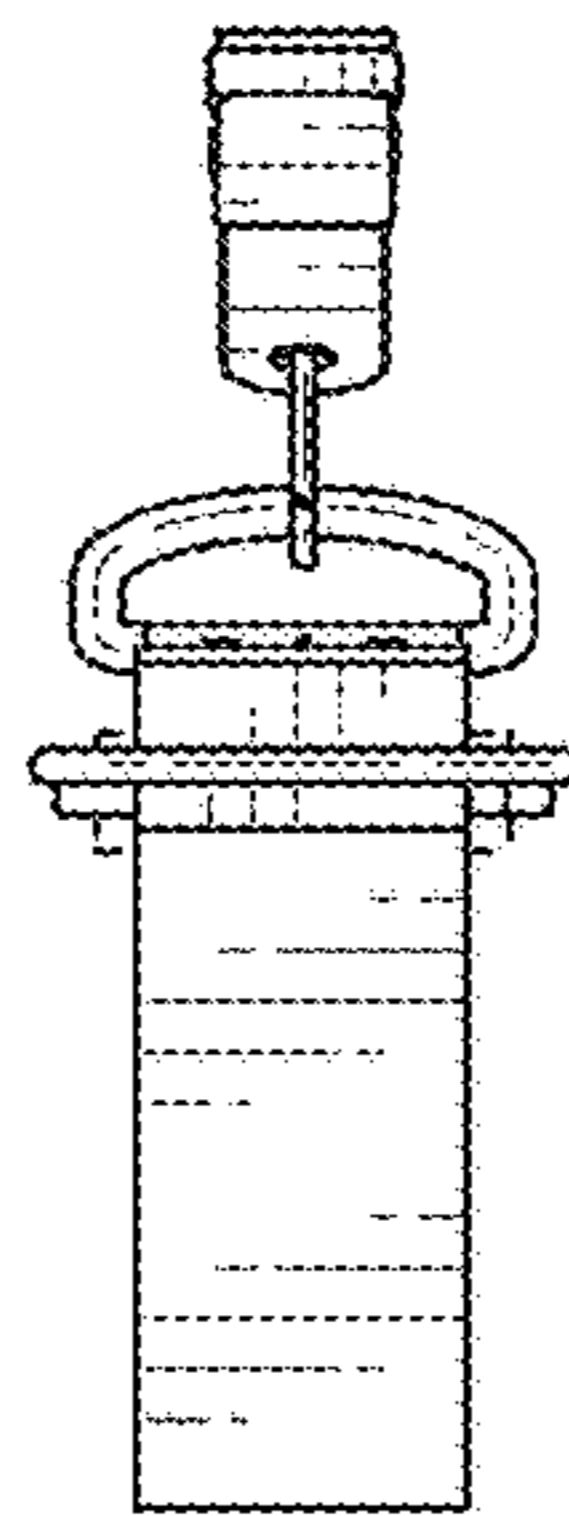


FIG. 4

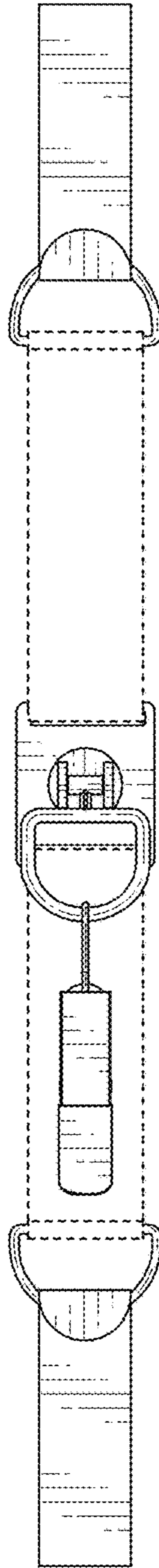


FIG. 5

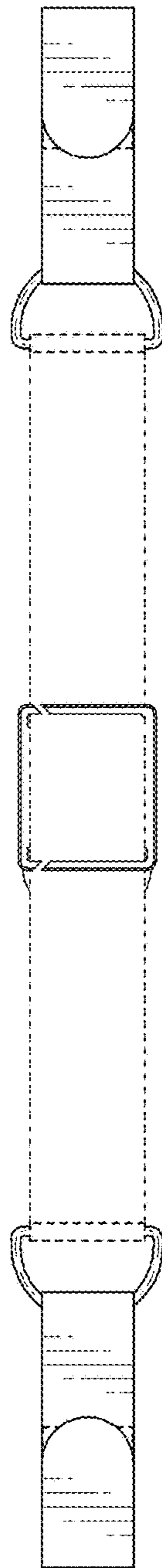


FIG. 6

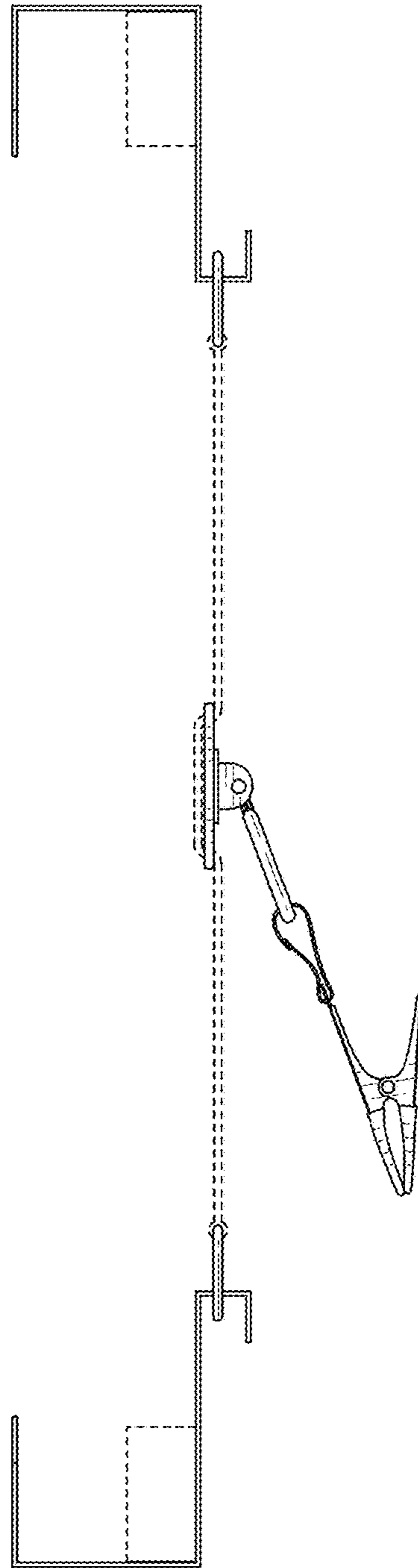


FIG. 7

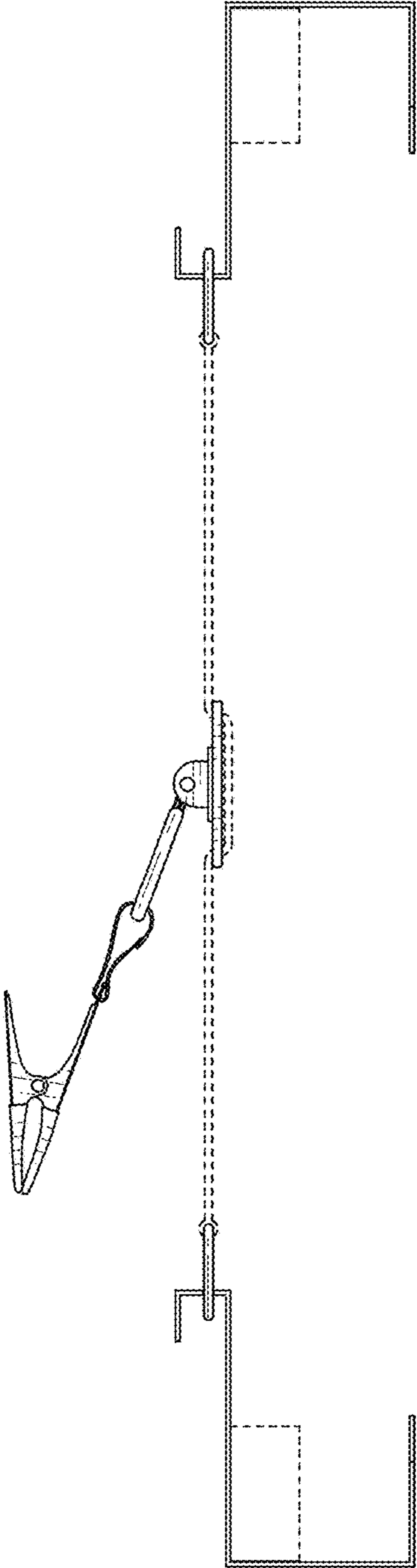


FIG. 8