



US00D852519S

(12) **United States Design Patent**
Frushtick

(10) **Patent No.:** **US D852,519 S**
(45) **Date of Patent:** **** Jul. 2, 2019**

- (54) **CLOTHES HANGER**
- (71) Applicant: **Leonard Automatics, Inc.**, Denver, NC (US)
- (72) Inventor: **Jeffrey Neal Frushtick**, Denver, NC (US)
- (73) Assignee: **Leonard Automatics, Inc.**, Denver, NC (US)

2,303,095 A *	11/1942	Sinclair	A47G 25/28	223/92
D158,952 S *	6/1950	Gately	223/88	
D193,746 S *	10/1962	Cohen	223/95	
5,806,727 A *	9/1998	Joseph	A47G 25/32	223/85
D431,376 S *	10/2000	Abdi	D6/317	
D464,813 S *	10/2002	Lin	D6/317	
D716,563 S *	11/2014	Lee	D6/318	
D816,352 S *	5/2018	Lu	D6/319	

(**) Term: **15 Years**

(21) Appl. No.: **29/645,181**

(22) Filed: **Apr. 24, 2018**

(51) **LOC (11) Cl.** **06-08**

(52) **U.S. Cl.**
USPC **D6/319**

(58) **Field of Classification Search**
USPC D6/315-328
CPC A47G 25/32; A47G 25/26; A47G 25/28;
A47G 25/485; A47G 25/487; A47G
25/20; A47G 25/481; A47G 25/442;
A47G 25/24; A47G 25/48; A47G 25/486;
A47G 25/36; A47G 25/1407; A47G
25/30; A47G 25/14; A47G 25/743; A47G
25/1457

See application file for complete search history.

(56) **References Cited**

U.S. PATENT DOCUMENTS

D32,777 S *	6/1900	Annis	223/95
D76,341 S *	9/1928	Campbell	223/95

* cited by examiner

Primary Examiner — Lauren R Calve

(74) *Attorney, Agent, or Firm* — Shumaker, Loop & Kendrick, LLP

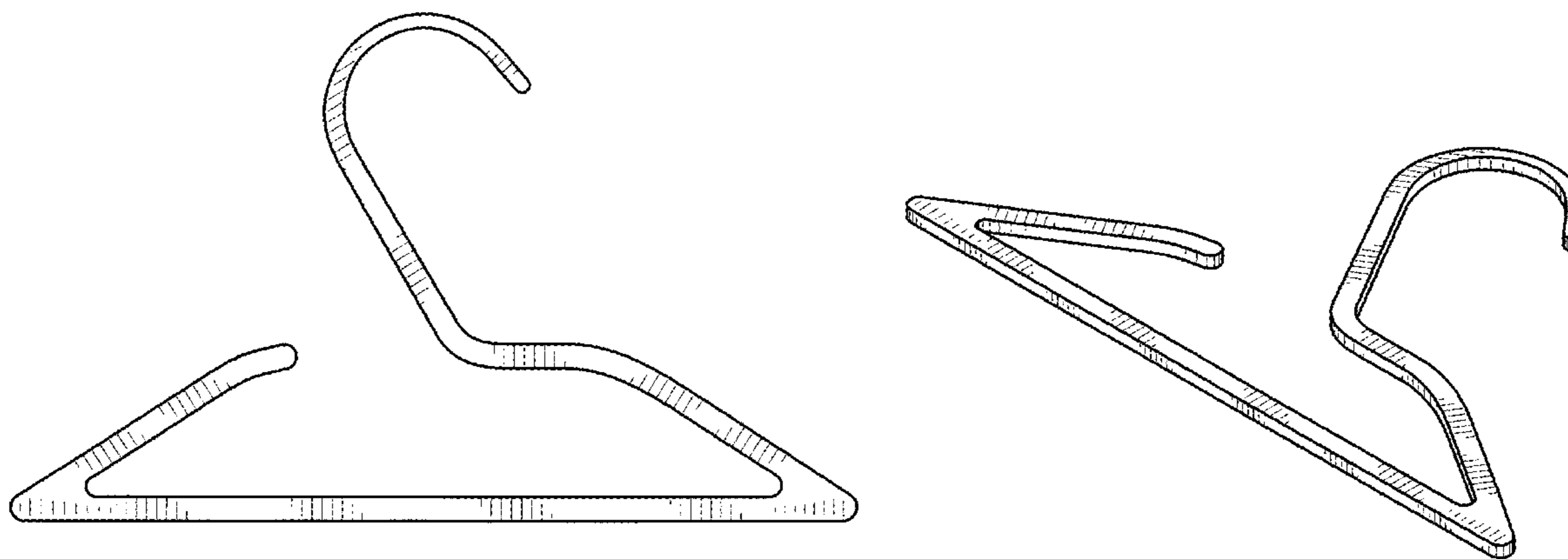
(57) **CLAIM**

The ornamental design for a clothes hanger, as shown and described.

DESCRIPTION

FIG. 1 is a first side view of a clothes hanger;
FIG. 2 is a second side view thereof;
FIG. 3 is a first side perspective view thereof;
FIG. 4 is a second side perspective view thereof;
FIG. 5 is a top view thereof;
FIG. 6 is a bottom view thereof;
FIG. 7 is a left side view thereof; and,
FIG. 8 is a right side view thereof.

1 Claim, 4 Drawing Sheets



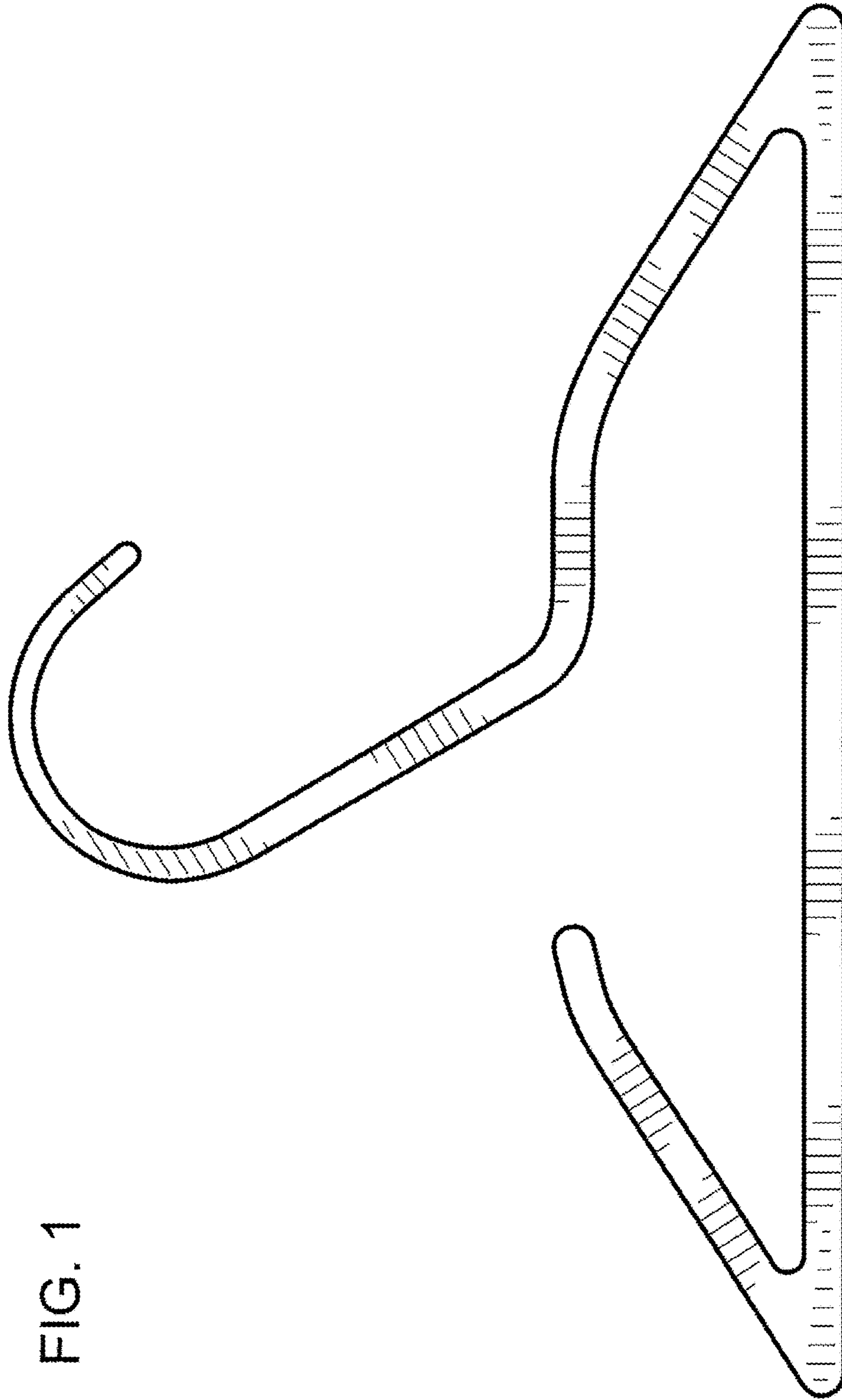


FIG. 1

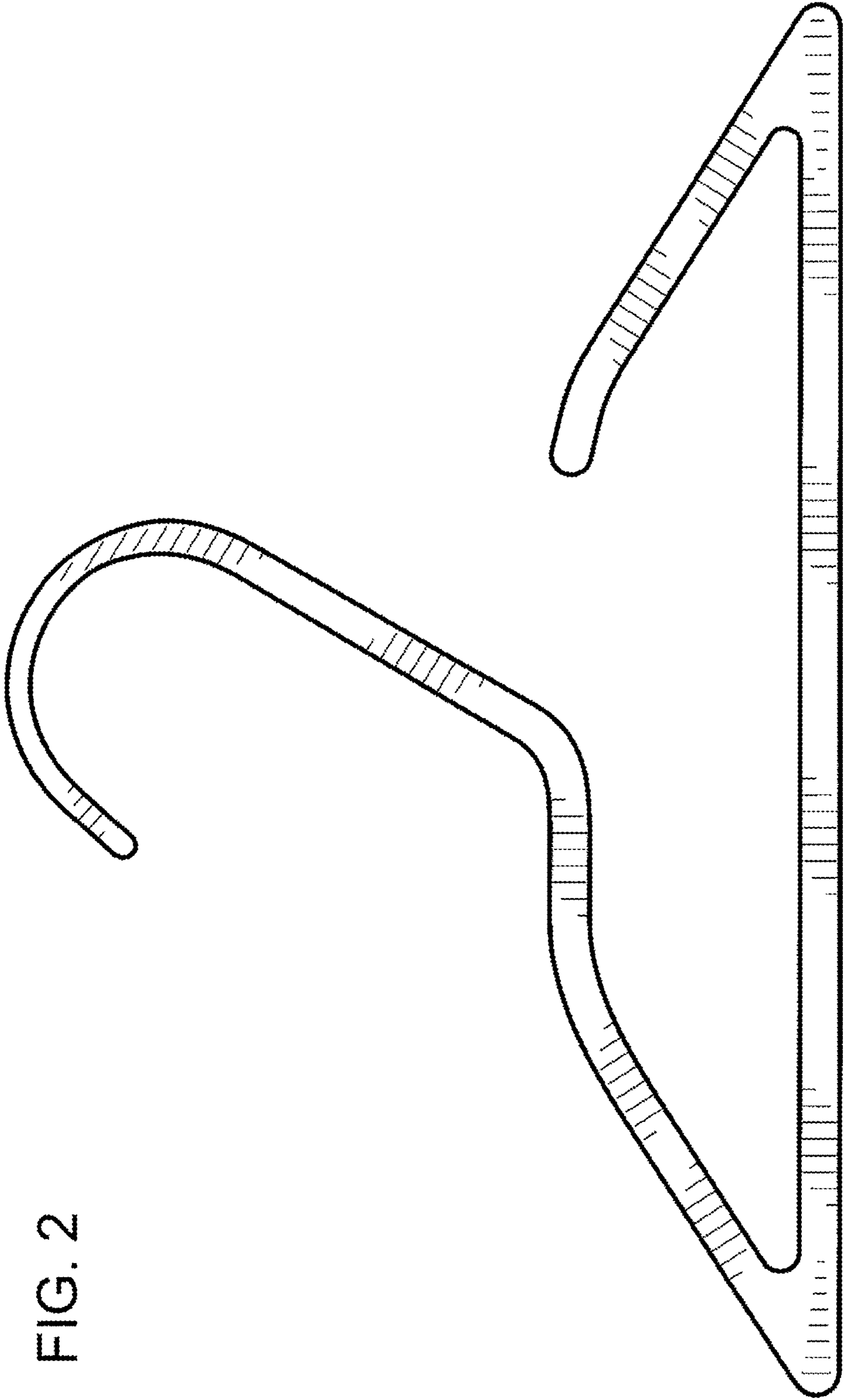


FIG. 2

FIG. 3

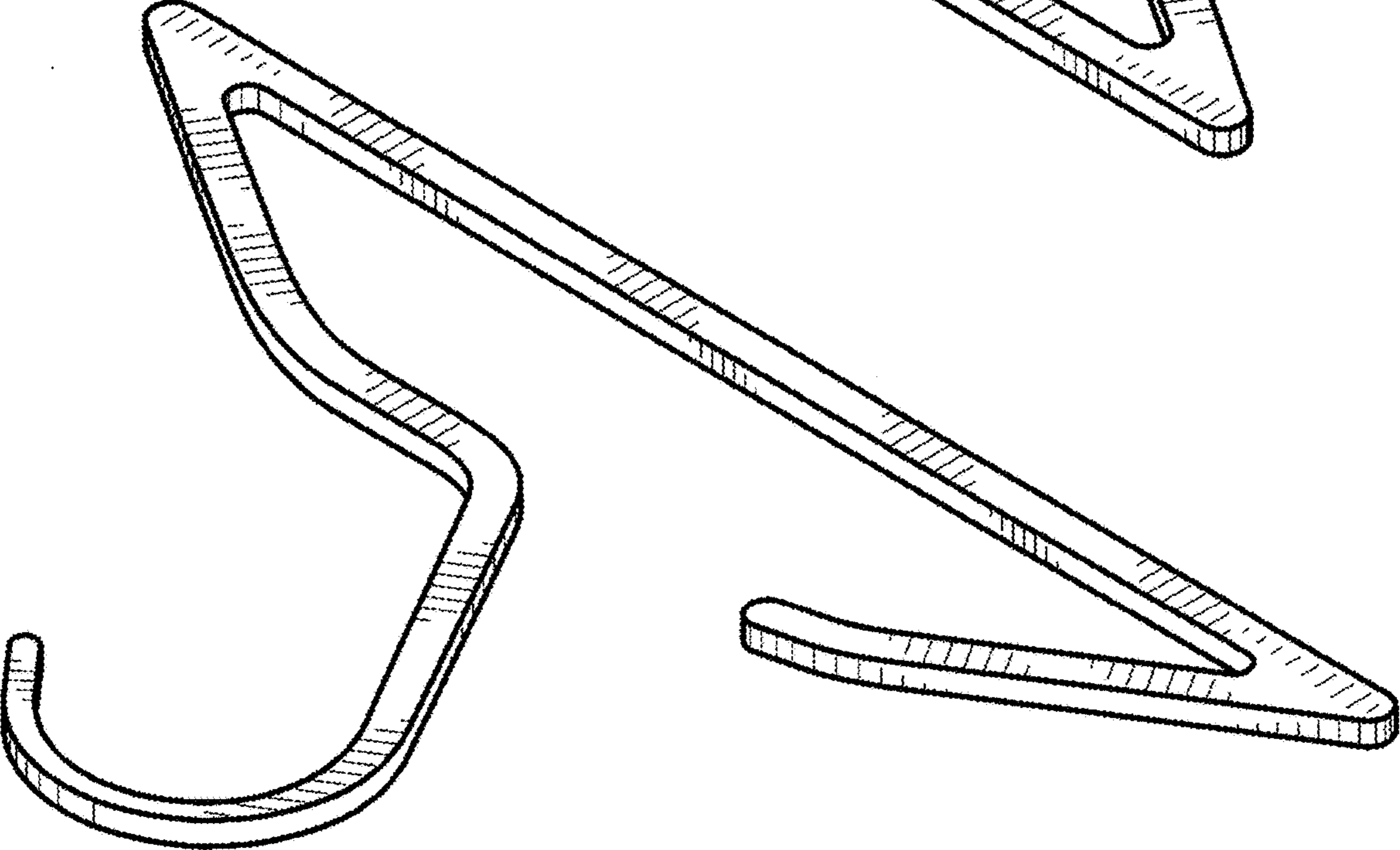
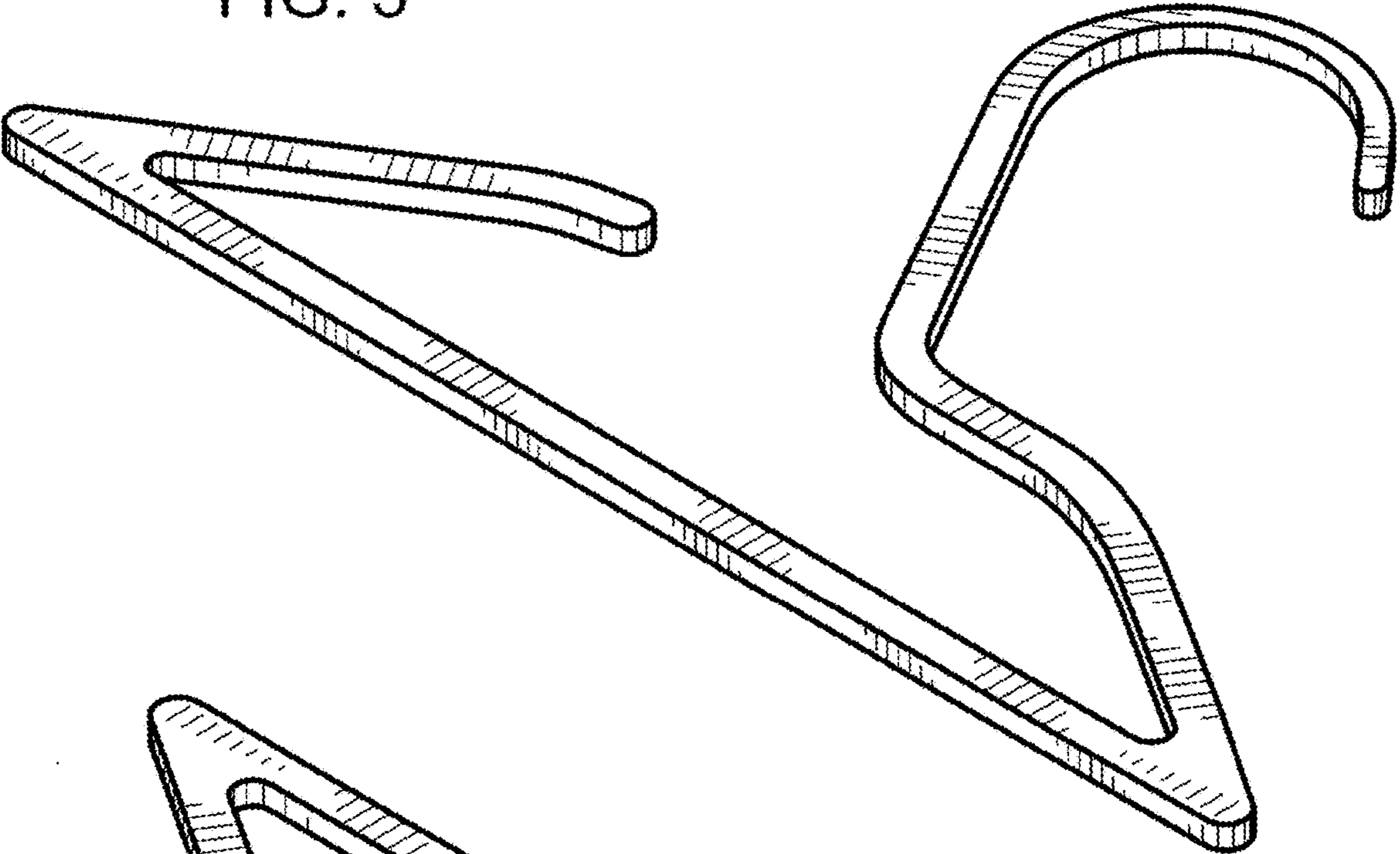


FIG. 4



FIG. 5



FIG. 7



FIG. 8



FIG. 6