



US00D852518S

(12) **United States Design Patent** (10) **Patent No.:** **US D852,518 S**  
**Heroux** (45) **Date of Patent:** **\*\* Jul. 2, 2019**

(54) **TIE HANGER**  
(71) Applicant: **Hip Innovations, LLC**, Calabasas, CA (US)  
(72) Inventor: **Steve Heroux**, Hidden Hills, CA (US)  
(73) Assignee: **HIP INNOVATIONS, LLC**, Calabasas, CA (US)  
(\*\*) Term: **15 Years**  
(21) Appl. No.: **29/677,027**  
(22) Filed: **Jan. 16, 2019**  
(51) **LOC (11) Cl.** ..... **06-08**  
(52) **U.S. Cl.**  
USPC ..... **D6/315**  
(58) **Field of Classification Search**  
USPC ..... D6/315-328, 512-514  
CPC ..... A47G 25/28; A47G 25/38; A47G 25/14;  
A47G 25/442; A47G 25/483; A47G  
25/485; A47G 25/4023; Y10S 223/04;  
A47F 5/0006  
See application file for complete search history.

4,863,043 A 9/1989 Bowen  
4,972,961 A 11/1990 Roesch  
D321,094 S \* 10/1991 Greenhut ..... D6/324  
D334,292 S \* 3/1993 Klein ..... D6/317  
5,425,463 A \* 6/1995 Toscanini ..... A47G 25/746  
211/104  
D365,214 S \* 12/1995 Wilcox ..... D6/315  
5,535,896 A \* 7/1996 Morgan, Sr. .... A47G 25/0685  
211/168  
D409,847 S \* 5/1999 Augspurger ..... D6/315  
6,302,281 B1 10/2001 Wang  
6,758,378 B2 7/2004 Carmichael  
D499,255 S 12/2004 Goodman et al.  
D586,567 S 2/2009 Heroux  
D606,323 S 12/2009 Heroux  
D632,898 S 2/2011 Heroux  
8,141,722 B2 3/2012 Heroux  
D704,458 S 5/2014 Berger  
(Continued)

*Primary Examiner* — Lauren R Calve  
(74) *Attorney, Agent, or Firm* — Cislo & Thomas, LLP

(57) **CLAIM**

The ornamental design for a tie hanger, as shown and described.

**DESCRIPTION**

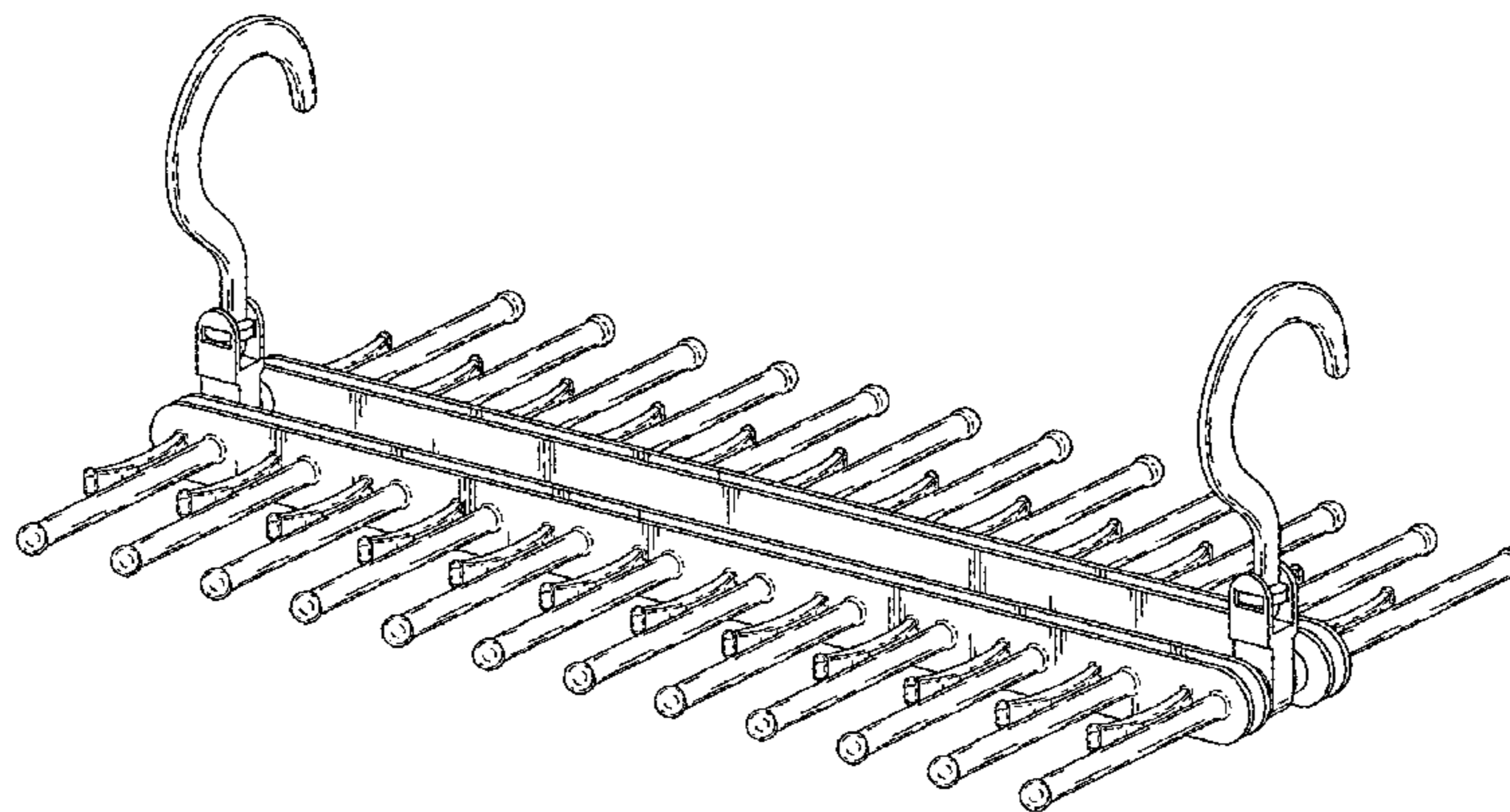
FIG. 1 is a perspective view of a tie hanger;  
FIG. 2 is a front view thereof;  
FIG. 3 is a back side view thereof;  
FIG. 4 is a left side view thereof;  
FIG. 5 is a right side view thereof;  
FIG. 6 is a top view thereof;  
FIG. 7 is a bottom view thereof; and,  
FIG. 8 is a perspective view thereof shown in environmental use.  
The broken line portions of the disclosure are included for the purpose of illustrating environment and form no part of the claimed design.

**1 Claim, 6 Drawing Sheets**

(56) **References Cited**

**U.S. PATENT DOCUMENTS**

643,818 A 5/1899 Headland  
1,618,157 A 2/1927 Harmon  
D151,402 S \* 10/1948 Ragland ..... D6/324  
D158,166 S \* 4/1950 Williams ..... D6/324  
2,557,627 A 6/1951 Baril  
D183,499 S 9/1958 Simpson  
D190,608 S 6/1961 Forrester  
D233,813 S \* 12/1974 Shyffer ..... D6/315  
4,129,218 A 12/1978 Koellner  
4,162,730 A \* 7/1979 Steere, Jr. .... D06F 57/12  
211/118  
D272,501 S \* 2/1984 Rutishauser ..... D6/327  
4,611,721 A \* 9/1986 Heckaman ..... A47G 25/746  
211/100



(56)

**References Cited**

U.S. PATENT DOCUMENTS

D717,551 S 11/2014 Berger  
D723,289 S \* 3/2015 Goodman ..... A47G 25/18  
D6/315  
D723,789 S 3/2015 Bludau  
D727,632 S \* 4/2015 Sanchez ..... D6/323  
D775,476 S \* 1/2017 Corless ..... D6/320  
D775,477 S \* 1/2017 Corless ..... D6/320  
D806,407 S \* 1/2018 Nelson ..... A47G 25/0685  
D6/324  
D808,179 S 1/2018 Heroux  
D811,754 S 3/2018 Heroux  
D818,236 S 5/2018 Choi et al.  
D830,707 S 10/2018 Tsai  
D834,336 S \* 11/2018 Mustafa ..... A47G 25/746  
D6/315  
D836,923 S 1/2019 Zeng  
2010/0051654 A1 3/2010 Thompson et al.  
2015/0076094 A1 3/2015 Allahverdian

\* cited by examiner

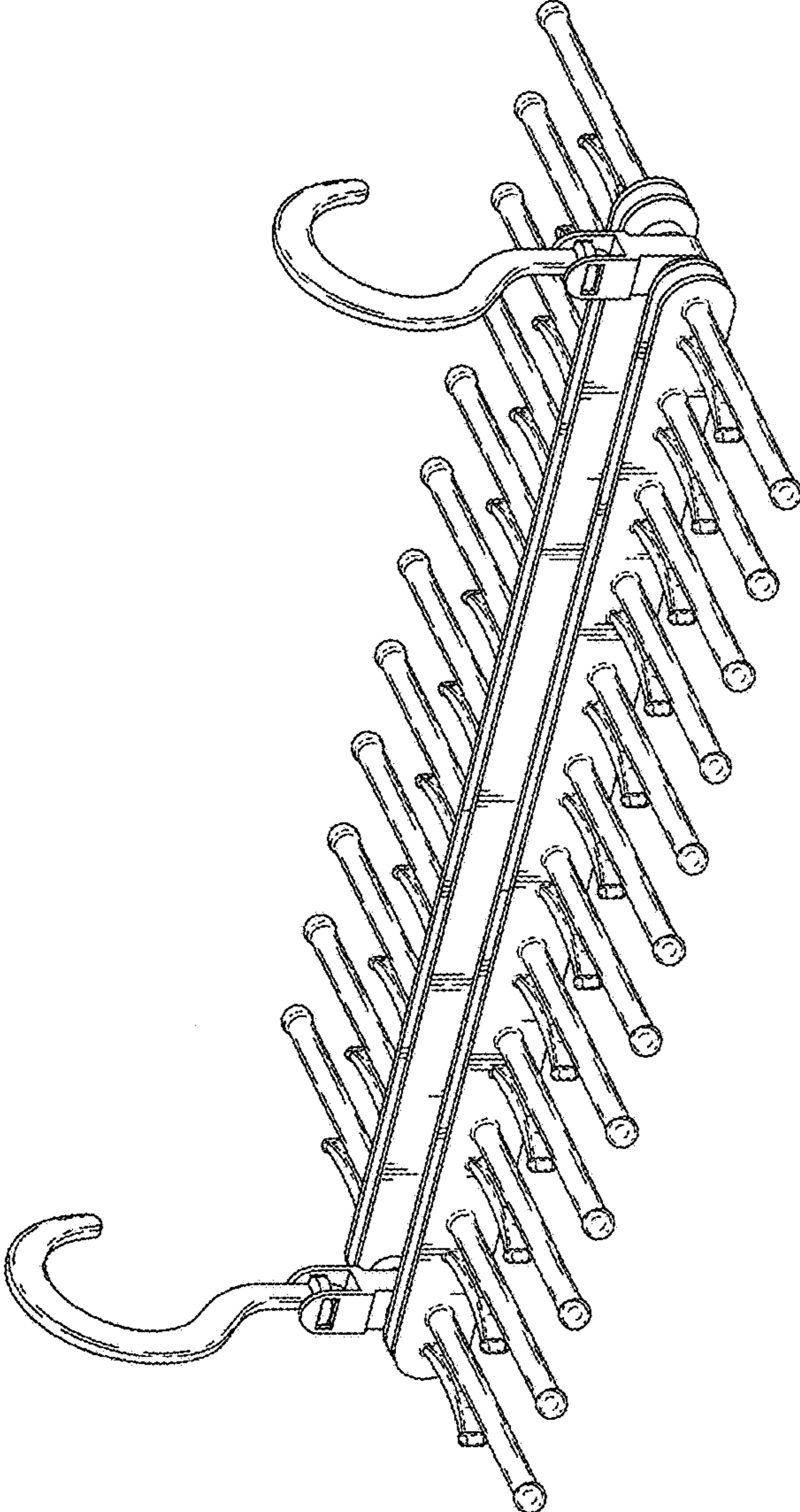
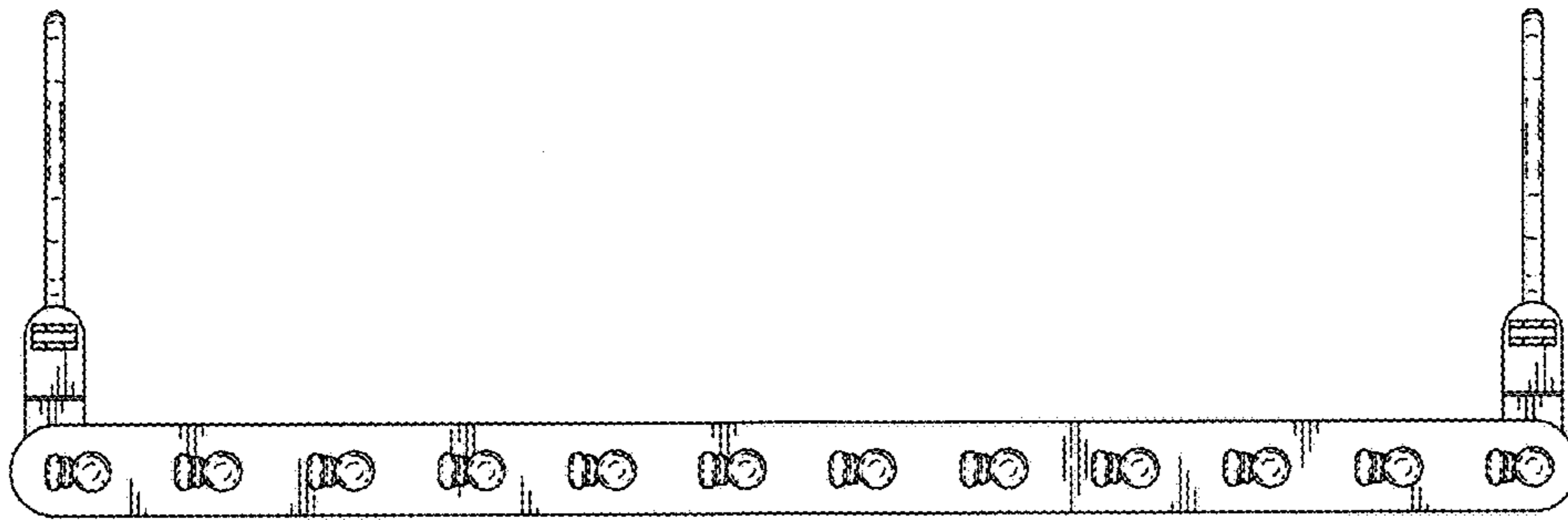
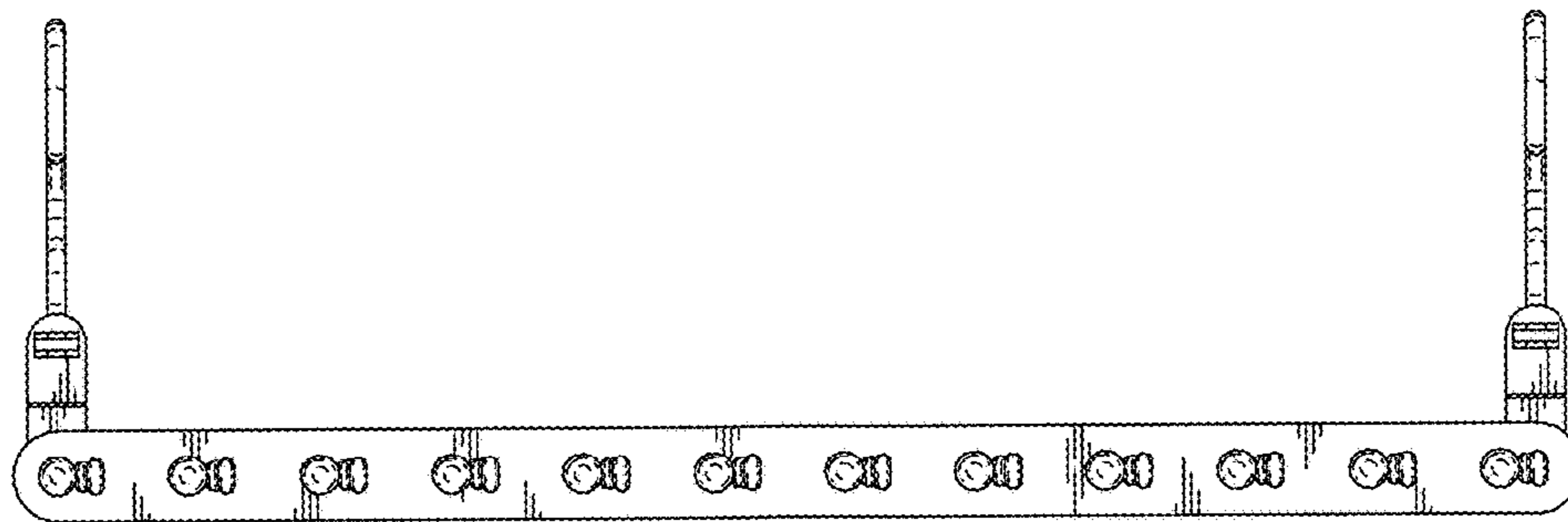


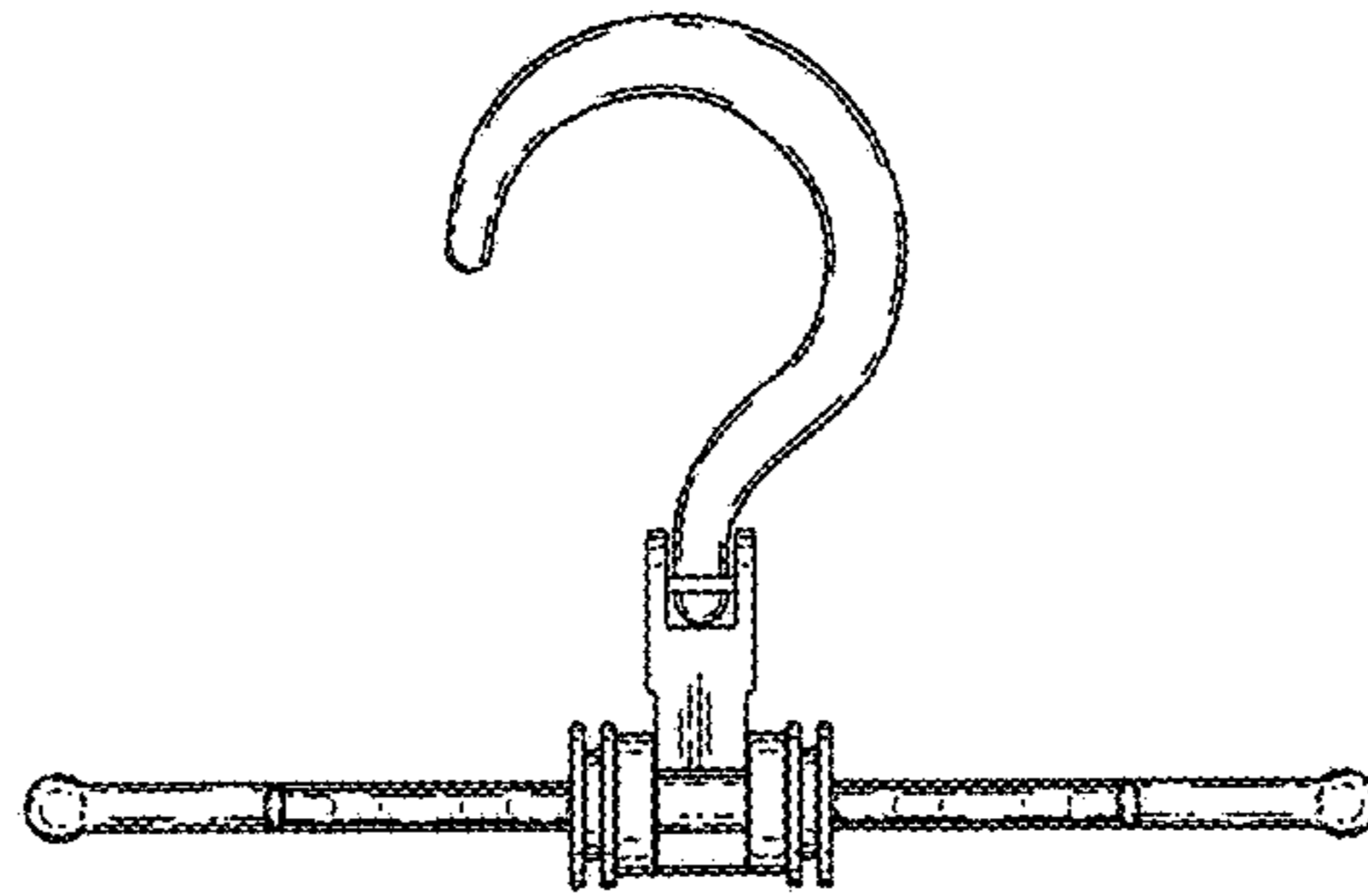
Fig. 1



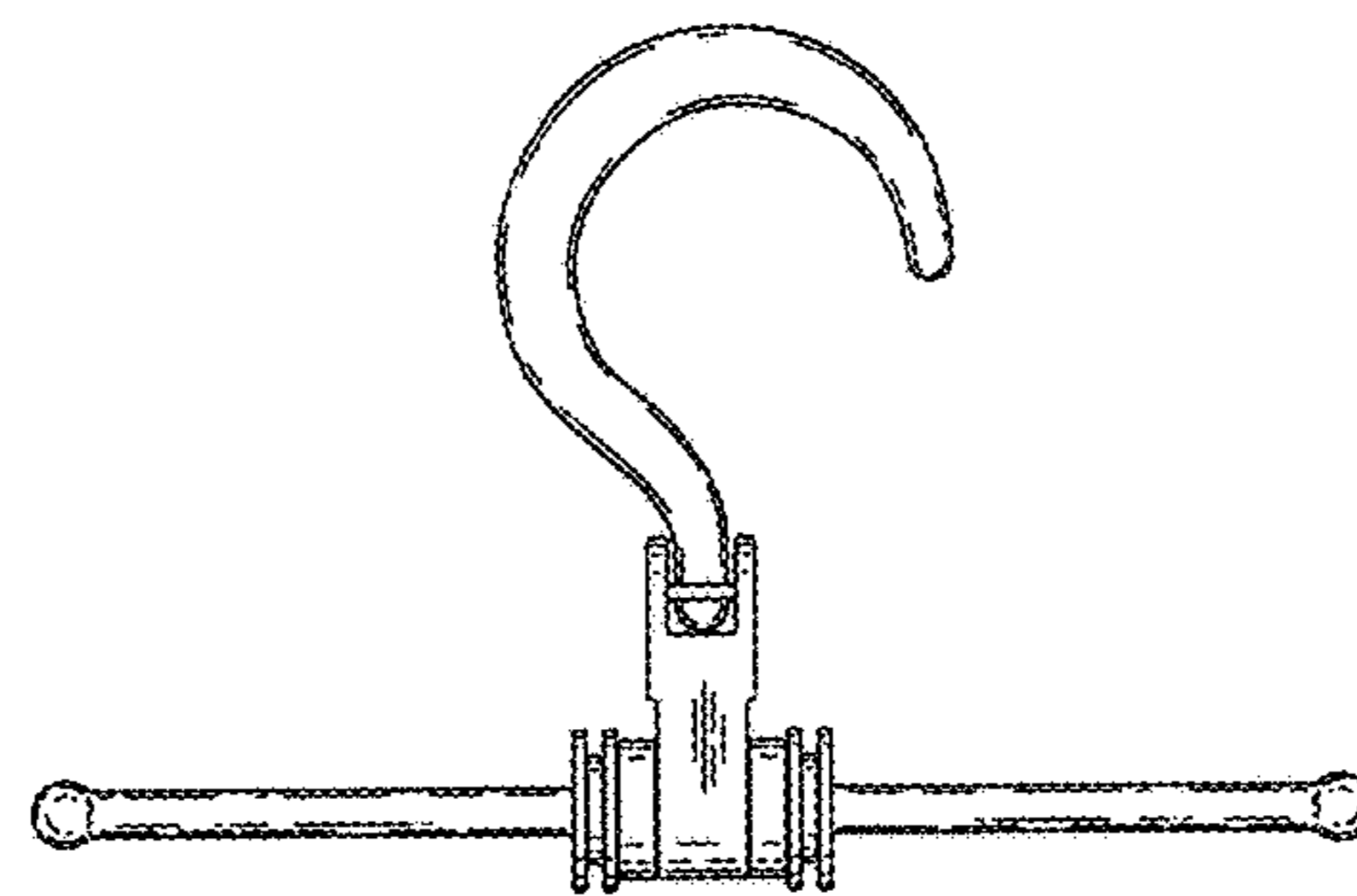
*Fig. 2*



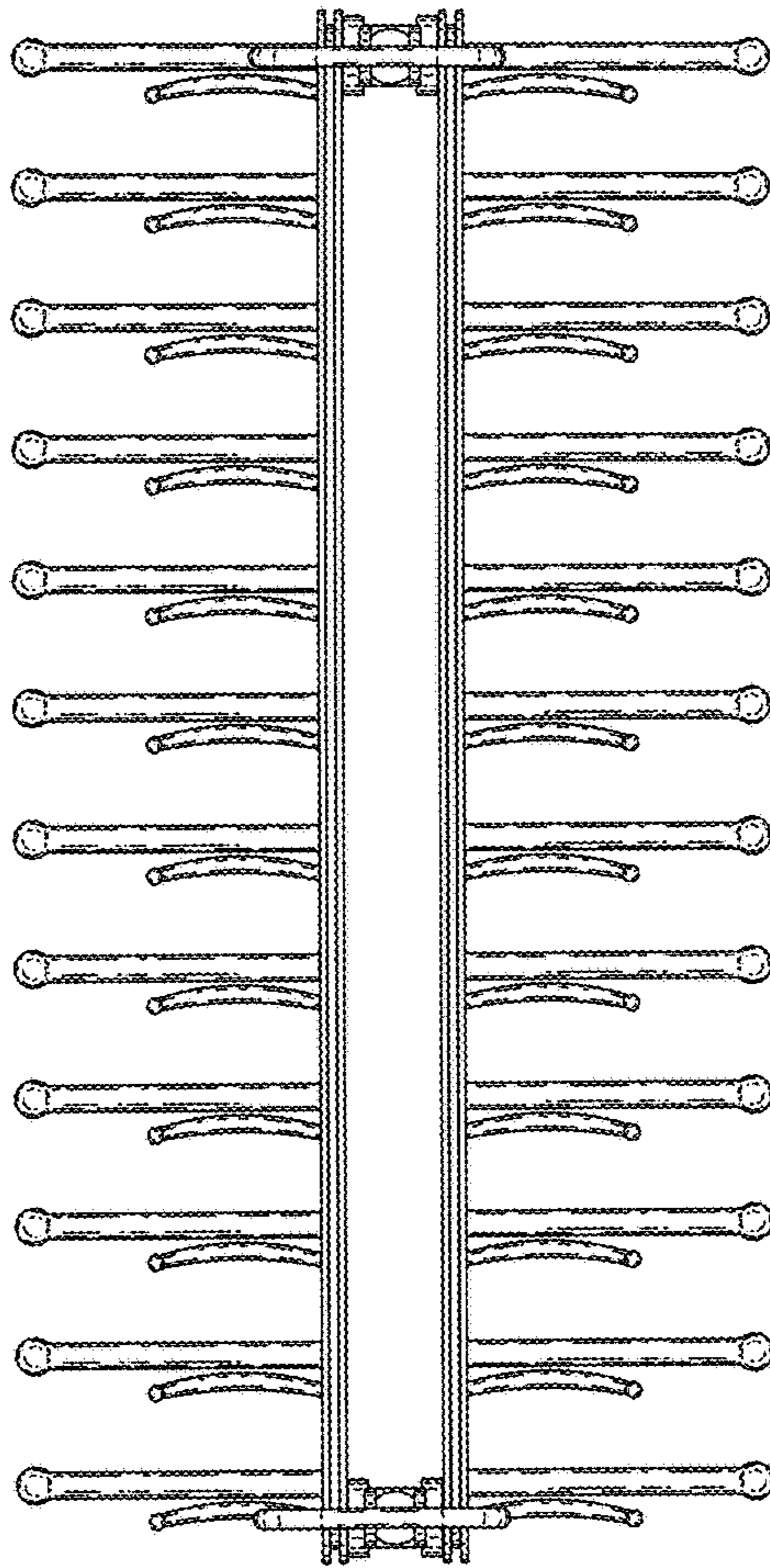
*Fig. 3*



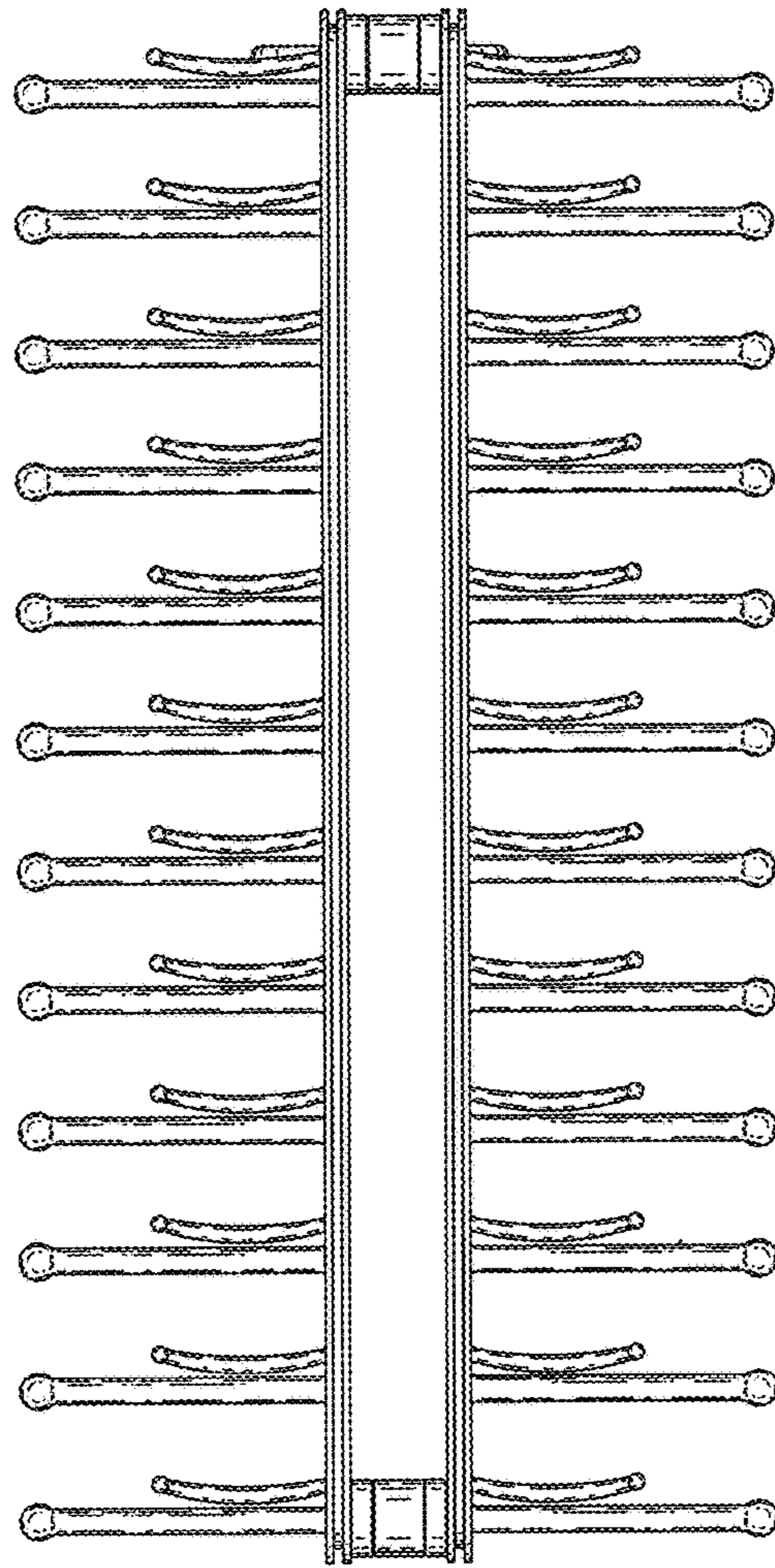
*Fig. 4*



*Fig. 5*



*Fig. 6*



*Fig. 7*

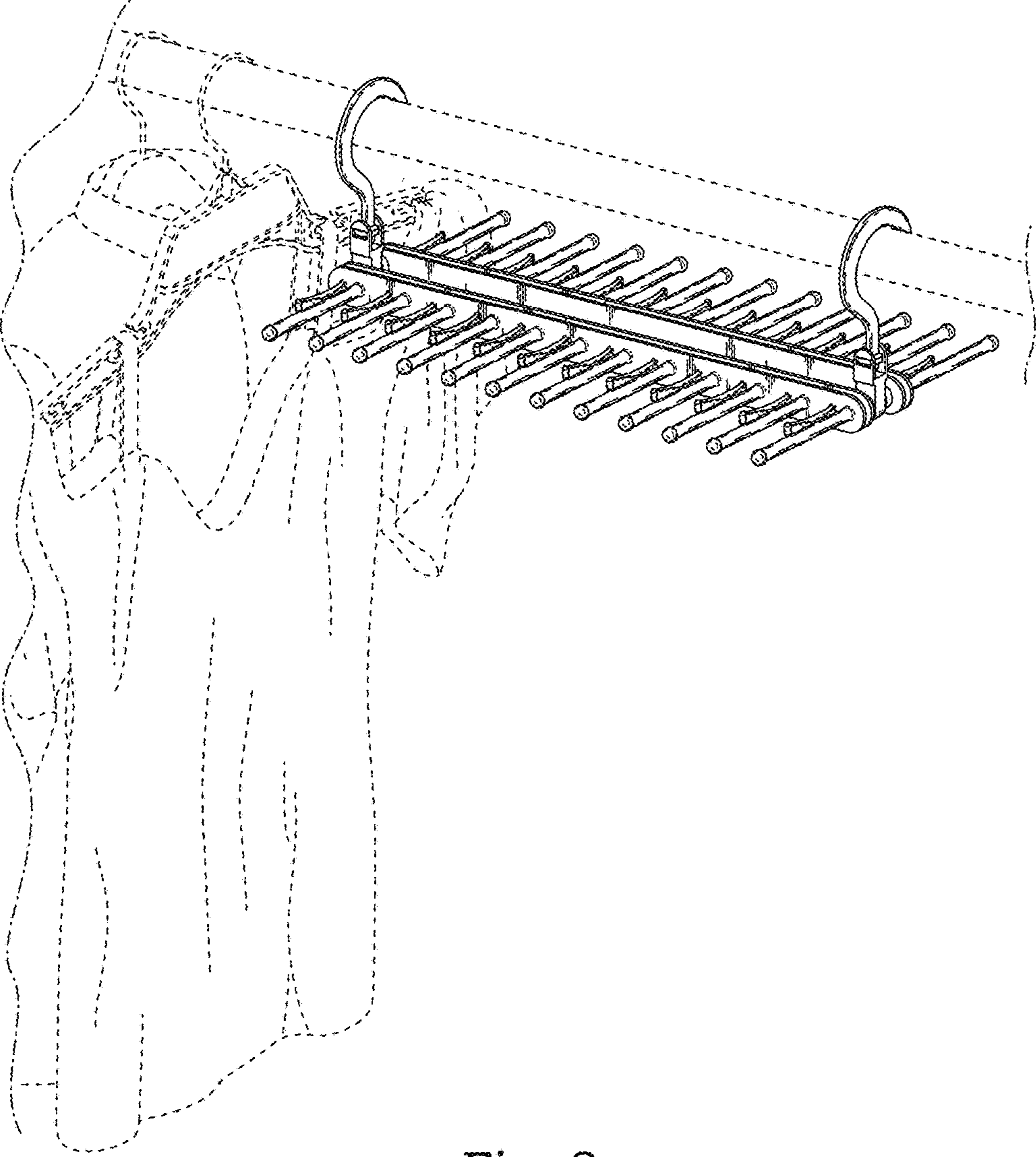


Fig. 8