



US00D852515S

(12) **United States Design Patent** (10) **Patent No.:** **US D852,515 S**  
**Toelke et al.** (45) **Date of Patent:** **\*\* Jul. 2, 2019**

(54) **LINER FOR ADHESIVE FILM**  
(71) Applicant: **tesa SE**, Norderstedt (DE)  
(72) Inventors: **Hannes Toelke**, Norderstedt (DE); **Nils Thebud**, Norderstedt (DE)  
(73) Assignee: **tesa SE** (DE)  
(\*\*) Term: **15 Years**  
(21) Appl. No.: **29/631,516**  
(22) Filed: **Dec. 29, 2017**  
(51) **LOC (11) Cl.** ..... **05-08**  
(52) **U.S. Cl.**  
USPC ..... **D5/60**; D5/53; D5/56; D5/59  
(58) **Field of Classification Search**  
USPC ..... D5/1-4, 6, 7, 11, 16, 19, 20, 23, 32, 43,  
D5/44, 46-64, 66, 99; D6/578, 582-584,  
D6/587, 592, 600, 602, 603, 610, 613,  
D6/615; D19/1, 5; D25/105, 110-112,  
D25/138, 140, 149, 151; D32/40;  
D2/947, 951, 953, 960  
CPC ... B31F 1/00; B31F 1/07; B32B 3/266; B32B  
5/024; B44F 1/00; B44F 1/02; B44F  
1/08; B44F 1/10; B44F 5/00; B44F 7/00;  
B44F 9/00; B44F 9/04; B44F 11/00;  
B44F 11/02; B44F 11/04; D03D 1/00;  
D04H 1/00; D04H 1/02; D10B 2503/04;  
D21H 27/02  
See application file for complete search history.

(56) **References Cited**  
U.S. PATENT DOCUMENTS  
D35,928 S \* 6/1902 Buskirk ..... D5/56  
1,440,358 A \* 12/1922 Whetstone ..... D21J 1/16  
428/169  
D89,155 S \* 1/1933 Schweizer ..... D5/56  
D91,187 S \* 12/1933 Cote ..... D19/5  
D92,097 S \* 4/1934 Lehner ..... D5/56

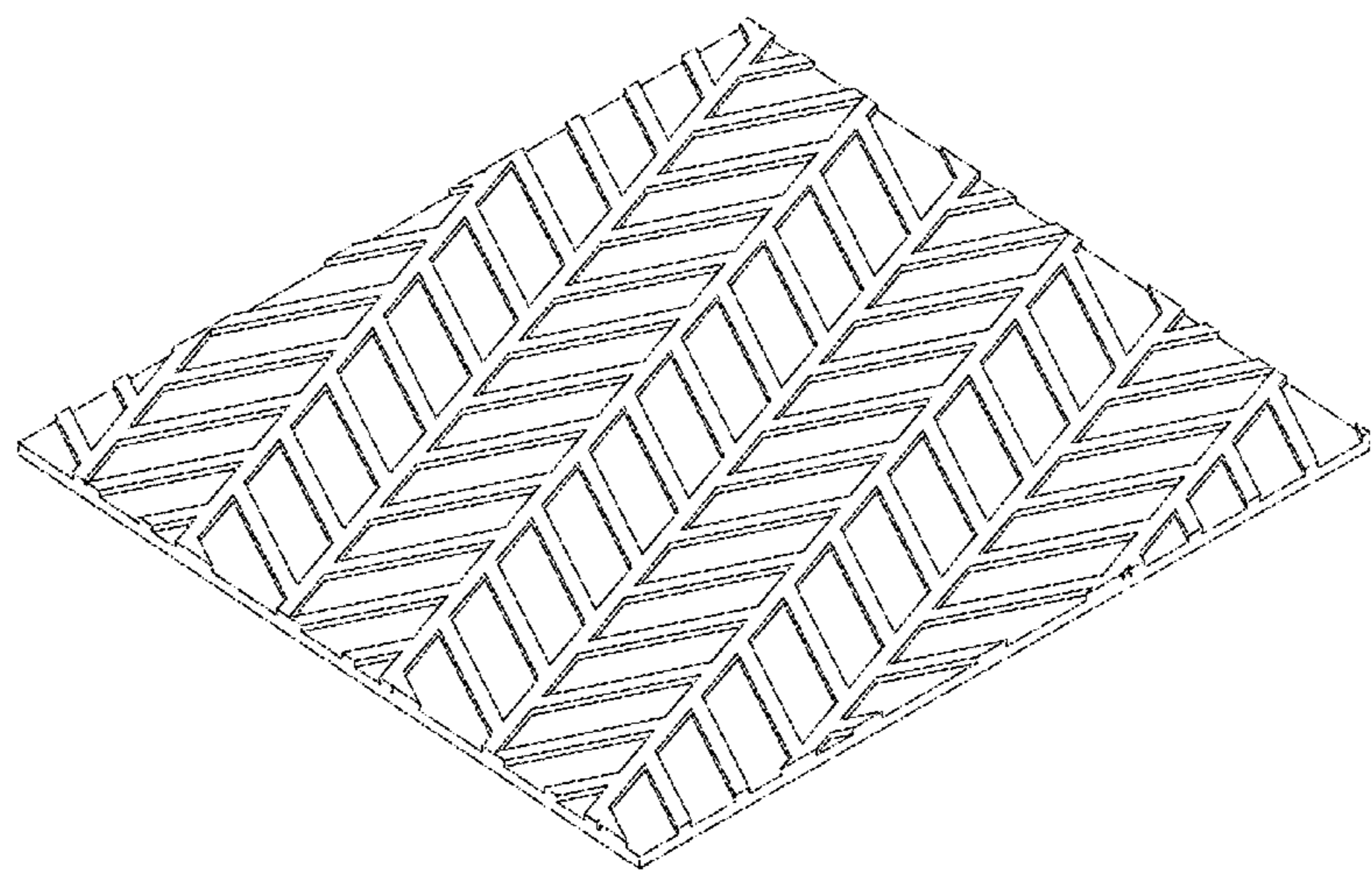
D99,990 S \* 6/1936 Brezner ..... D5/57  
D102,250 S \* 12/1936 Bowker ..... D5/56  
D103,522 S \* 3/1937 Sturm ..... D5/56  
D118,674 S \* 1/1940 Rubin ..... D5/47  
D125,523 S \* 2/1941 Oakley ..... D6/583  
D130,174 S \* 10/1941 Rigney ..... D5/47  
D130,390 S \* 11/1941 Tips ..... D11/116  
D130,877 S \* 12/1941 Tips ..... D5/47  
D166,635 S \* 4/1952 Portong ..... D5/53  
D188,408 S \* 7/1960 Siegmann ..... D5/60  
D403,912 S \* 1/1999 Wang ..... D6/582  
D525,576 S \* 7/2006 Lu ..... D12/203  
D549,358 S \* 8/2007 Hing ..... D25/138  
D640,025 S \* 6/2011 Wildeman ..... D32/40  
8,071,224 B2 \* 12/2011 Iwasaki ..... B32B 5/26  
428/532  
D684,704 S \* 6/2013 Lamberts ..... D25/103  
(Continued)

*Primary Examiner* — Karen S Acker  
*Assistant Examiner* — Wendy L Arminio  
(74) *Attorney, Agent, or Firm* — Price Heneveld LLP

(57) **CLAIM**  
The ornamental design for a liner for adhesive film, as shown and described.

**DESCRIPTION**  
FIG. 1 is a top perspective view of a liner for adhesive film according to our design;  
FIG. 2 is a bottom perspective view thereof;  
FIG. 3 is a top view thereof;  
FIG. 4 is a right side elevation view thereof;  
FIG. 5 is a left side elevation view thereof;  
FIG. 6 is a back elevation view thereof; and,  
FIG. 7 is a front elevation view thereof.  
The dash-dot-dash broken lines surrounding the top of the liner for adhesive film shown in FIGS. 1 and 3 depict the boundaries of the claim and form no part thereof. Beneath the top surfaces, all broken lines and areas including the depth and bottom of the article are portions of the liner for adhesive film that are not included in the claim.

**1 Claim, 2 Drawing Sheets**



(56)

**References Cited**

U.S. PATENT DOCUMENTS

D774,327 S *	12/2016	Chang	.....	D6/583
D793,316 S *	8/2017	Gross	.....	D12/203
D807,647 S *	1/2018	Pan	.....	D5/56
D813,136 S *	3/2018	Gross	.....	D12/203
2014/0234600 A1 *	8/2014	Wang	.....	B32B 5/022 428/212

\* cited by examiner

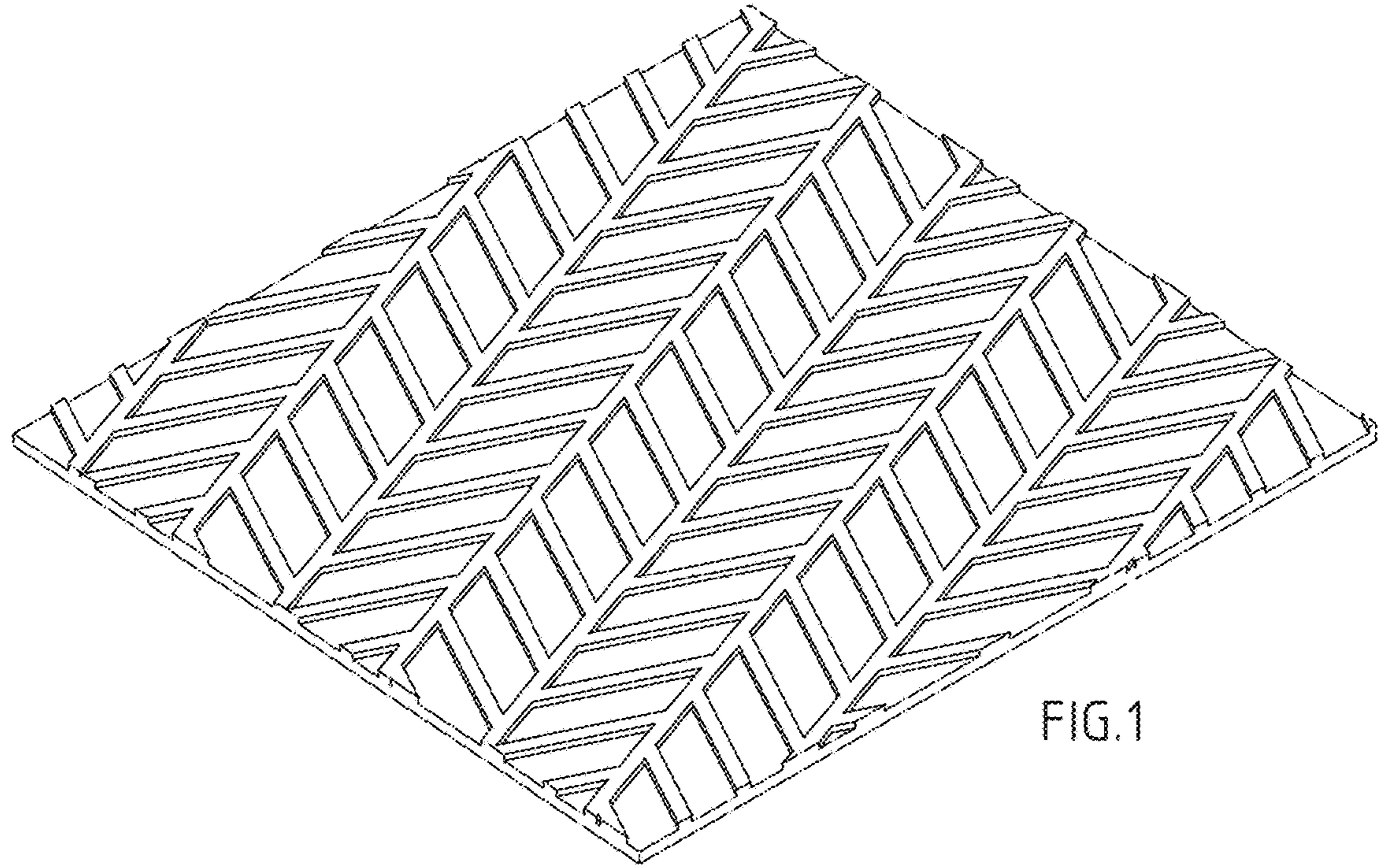


FIG. 1

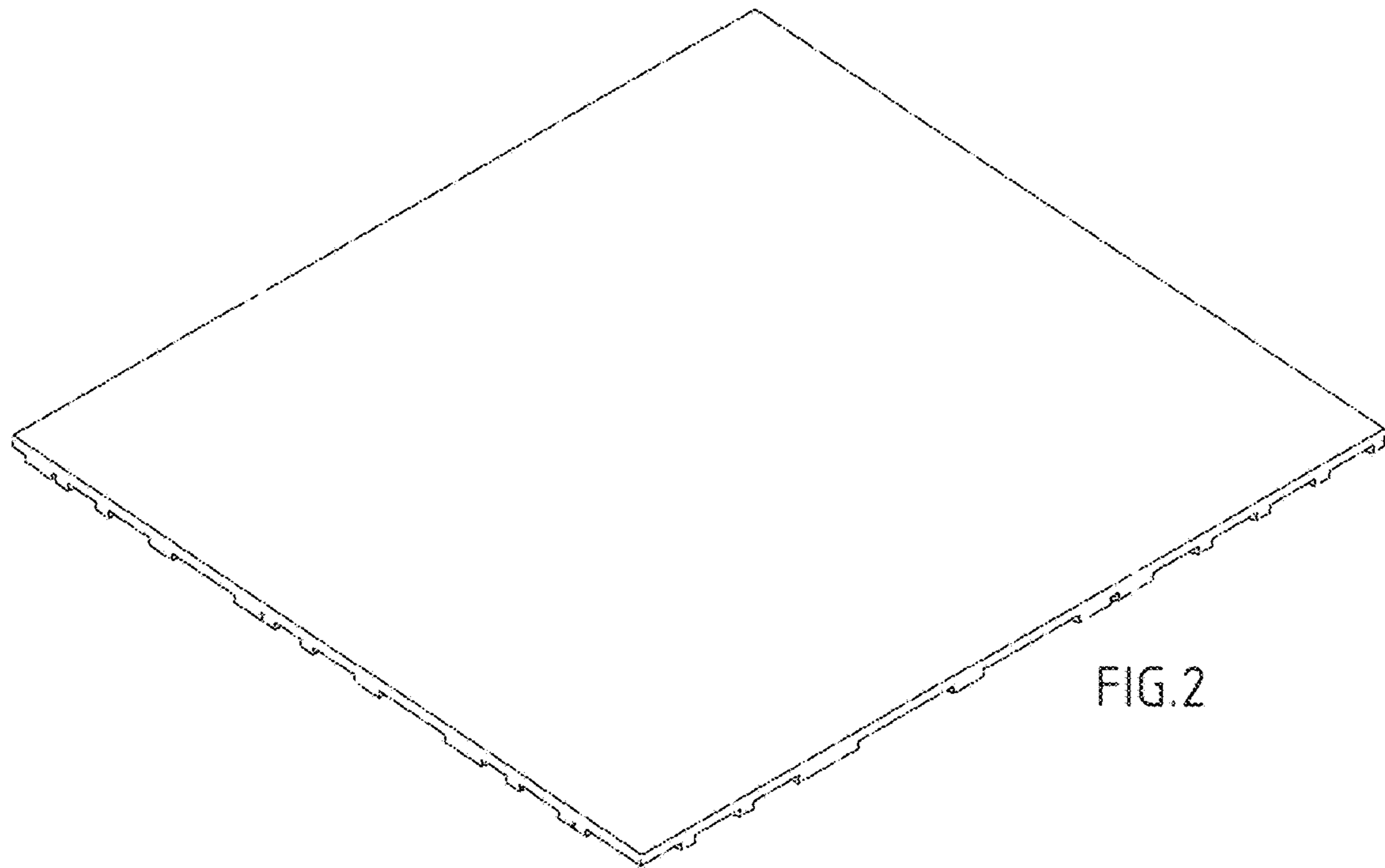


FIG. 2

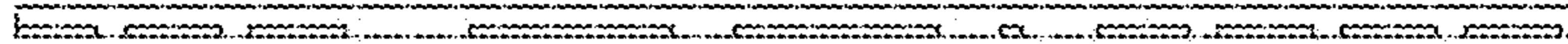


FIG.6

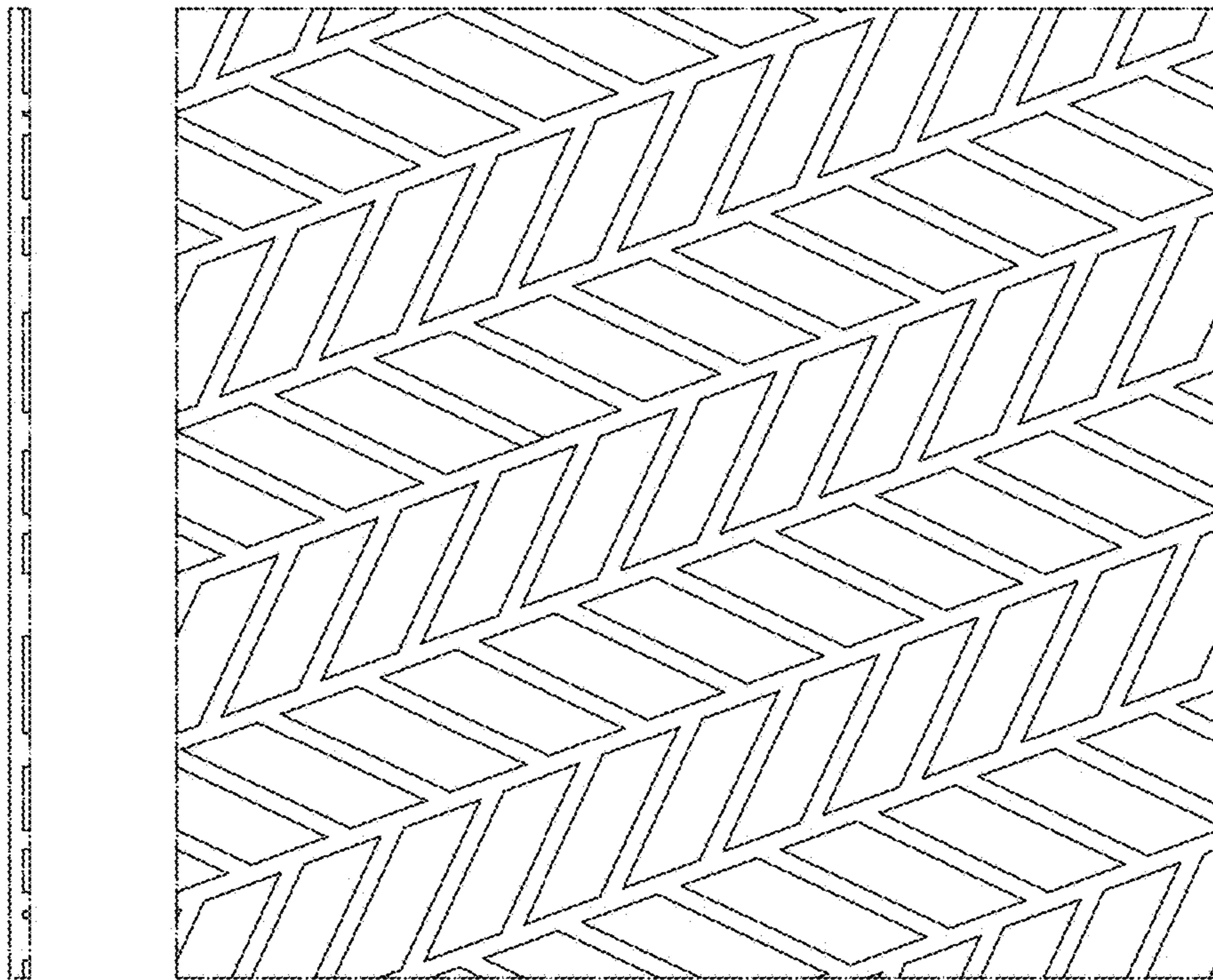


FIG.5

FIG.3

FIG.4

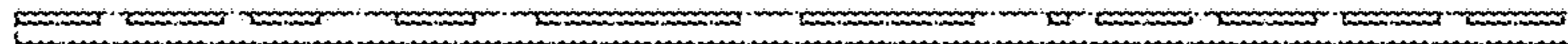


FIG.7