

US00D852510S

(12) **United States Design Patent**
Harrington et al.

(10) **Patent No.:** **US D852,510 S**
(45) **Date of Patent:** **** Jul. 2, 2019**

(54) **ADJUSTABLE BRUSH HANDLE**
(71) Applicant: **Unger Marketing International, LLC**,
Bridgeport, CT (US)

D296,271 S 6/1988 Kobayashi
4,829,621 A 5/1989 Phenegar
5,158,532 A 10/1992 Peng
5,315,732 A 5/1994 Huefner
(Continued)

(72) Inventors: **William Harrington**, Charlestown, RI
(US); **Susanna Stone**, Bridgeport, CT
(US)

FOREIGN PATENT DOCUMENTS

DE 1986144 5/1968
DE 1995617 10/1968
(Continued)

(73) Assignee: **UNGER MARKETING INTERNATIONAL, LLC**, Bridgeport,
CT (US)

Primary Examiner — Karen E Eldridge Powers
(74) *Attorney, Agent, or Firm* — Cantor Colburn LLP

(**) Term: **15 Years**

(57) **CLAIM**

(21) Appl. No.: **29/634,786**

The ornamental design for an adjustable brush handle, as shown and described.

(22) Filed: **Jan. 24, 2018**

DESCRIPTION

(51) **LOC (11) Cl.** **04-01**

(52) **U.S. Cl.**
USPC **D4/138**

(58) **Field of Classification Search**
USPC D4/114, 115, 116, 117, 118, 121, 122,
D4/123, 124, 125, 127, 128, 129, 130,
D4/131, 132, 133, 134, 135, 136, 137,
D4/138, 199; 15/143.1; D32/35, 40, 41,
D32/42; 206/361; D14/491
CPC A46B 2200/02; A46B 2200/202; A46B
3/005; A46B 2200/3033; A46B 5/0033;
A46B 5/005

FIG. 1 is a first, bottom perspective view of an adjustable brush handle according to the present disclosure;
FIG. 2 is a second, bottom perspective view of the adjustable brush handle of FIG. 1;
FIG. 3 is a first, top perspective view of the adjustable brush handle of FIG. 1;
FIG. 4 is a second, top perspective view of the adjustable brush handle of FIG. 1;
FIG. 5 is a bottom plan view of the adjustable brush handle of FIG. 1;
FIG. 6 is a top plan view of the adjustable brush handle of FIG. 1;
FIG. 7 is a first side elevation view of the adjustable brush handle of FIG. 1, the opposite side being identical thereto; and,
FIG. 8 is a second side elevation view of the adjustable brush handle of FIG. 1, the opposite side being identical thereto. The broken lines shown in the drawings illustrate features of the article in which the design is embodied that form no part of the claim.

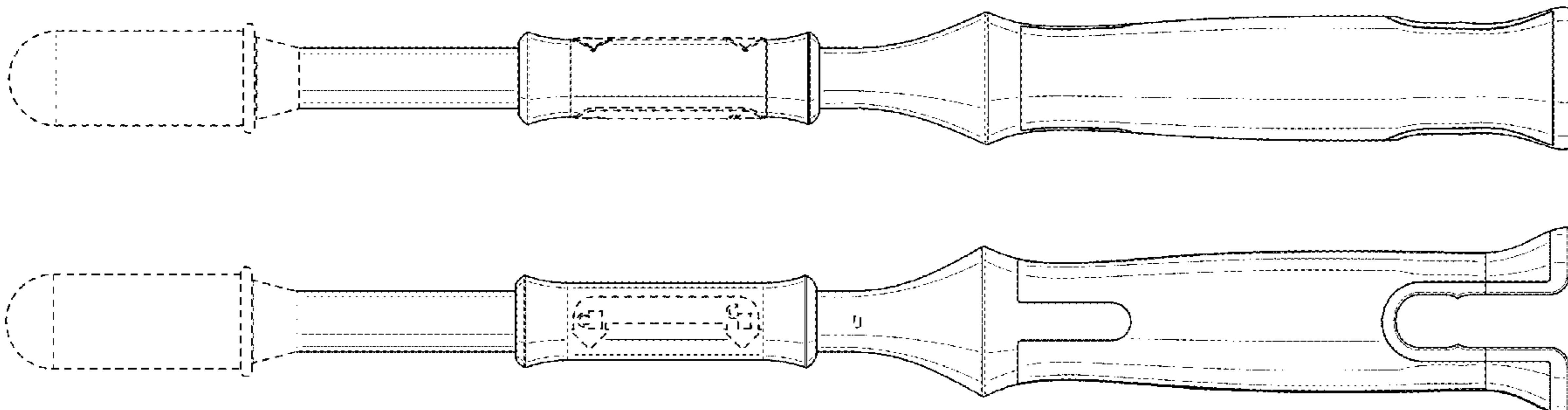
See application file for complete search history.

(56) **References Cited**

U.S. PATENT DOCUMENTS

1,694,636 A 12/1928 Barker
D167,432 S * 8/1952 Turner D10/64
3,058,139 A 10/1962 Dryden
3,332,103 A 7/1967 Case
4,328,604 A 5/1982 Adams
D274,565 S * 7/1984 Smith, Jr. D32/44
4,520,526 A 6/1985 Peters

1 Claim, 7 Drawing Sheets



(56)

References Cited

U.S. PATENT DOCUMENTS

5,491,863 A 2/1996 Dunn
 5,709,003 A 1/1998 Batch
 5,878,459 A 3/1999 McParland
 5,967,152 A 10/1999 Rimkus
 6,015,293 A 1/2000 Rimkus
 6,132,126 A 10/2000 Sheffler
 6,134,738 A * 10/2000 Weber A46B 5/0062
 15/144.1
 6,154,913 A 12/2000 Burton
 6,192,525 B1 2/2001 Tash
 6,237,182 B1 5/2001 Cassar
 6,530,707 B1 3/2003 Byrne
 6,546,588 B1 4/2003 Black
 D479,024 S * 8/2003 Libman D32/52
 6,948,209 B2 9/2005 Chan
 7,017,222 B2 3/2006 Dunn
 D518,949 S * 4/2006 Wang D3/12
 D542,493 S * 5/2007 Berti D32/52
 7,213,292 B1 5/2007 Tucker
 7,334,286 B2 2/2008 Kayser
 7,344,327 B2 3/2008 Gueret
 7,356,869 B2 4/2008 Knopow
 7,784,141 B2 8/2010 Knopow
 8,046,865 B2 11/2011 Knopow
 8,123,712 B2 2/2012 Julius

8,136,196 B2 3/2012 Dingert
 D663,530 S 7/2012 Duwa
 D683,544 S 6/2013 Duwa
 D726,196 S * 4/2015 van Os D14/485
 9,066,583 B2 6/2015 Kayser
 9,167,882 B2 10/2015 Stefanson
 D757,443 S * 5/2016 Waitesmith D4/127
 9,339,104 B2 5/2016 O'Neill
 9,341,364 B2 * 5/2016 Dennis F21V 33/0084
 D773,799 S * 12/2016 Haythornthwaite D3/12
 D789,074 S * 6/2017 Haythornthwaite D3/10
 D796,440 S * 9/2017 Gzybowski D13/138.1
 2001/0047556 A1 12/2001 Weihrauch
 2004/0143923 A1 7/2004 Bensussan
 2006/0070198 A1 4/2006 DeRoma
 2008/0028555 A1 * 2/2008 Petner A47L 13/46
 15/118
 2010/0115722 A1 5/2010 Malloy
 2012/0183344 A1 7/2012 Habinger
 2014/0099154 A1 4/2014 O'Neill
 2014/0137352 A1 5/2014 Golla
 2016/0029859 A1 2/2016 Harrington

FOREIGN PATENT DOCUMENTS

DE 1435888 4/1996
 DE 202013005066 * 8/2013

* cited by examiner

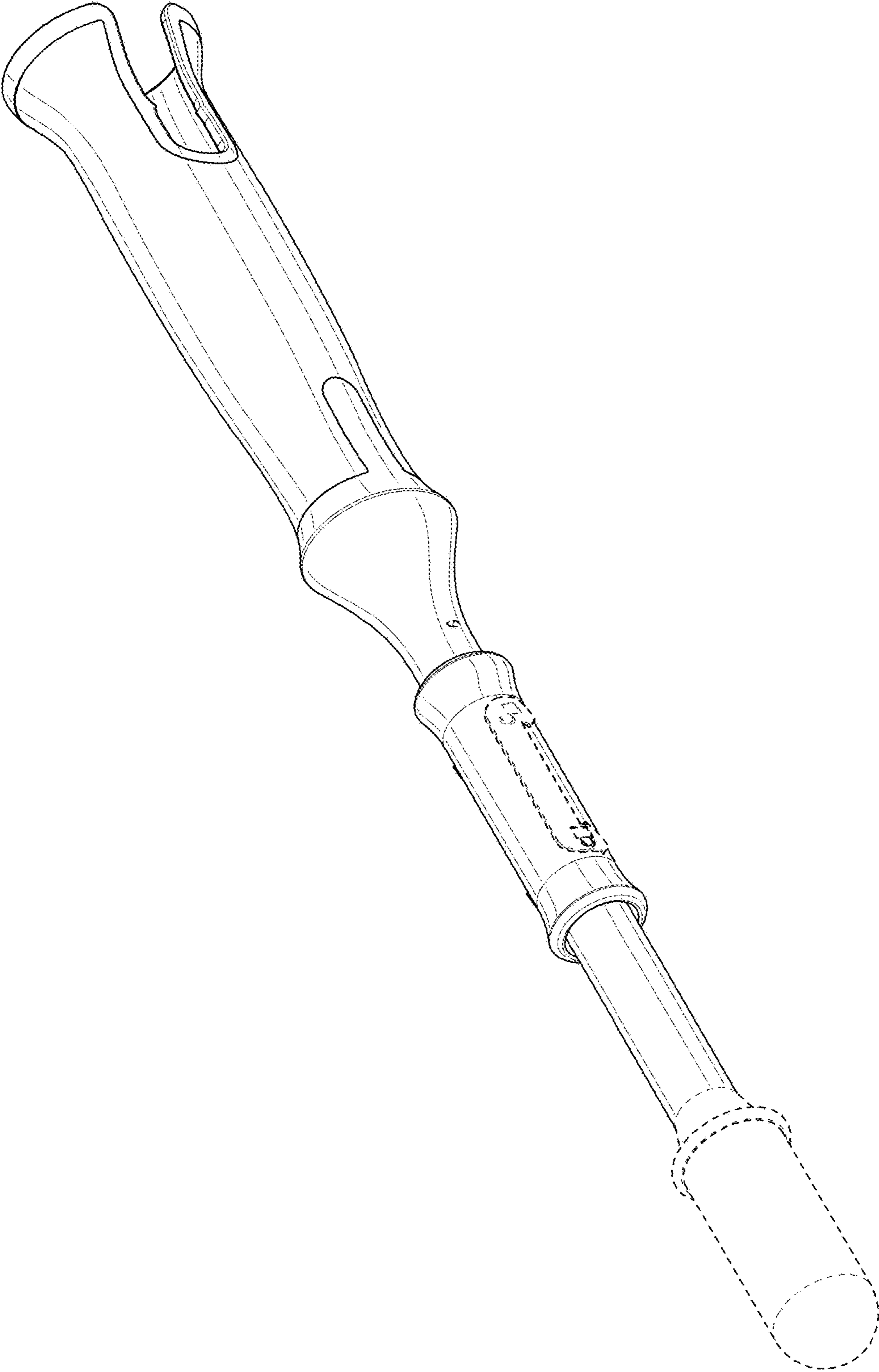


FIG. 1

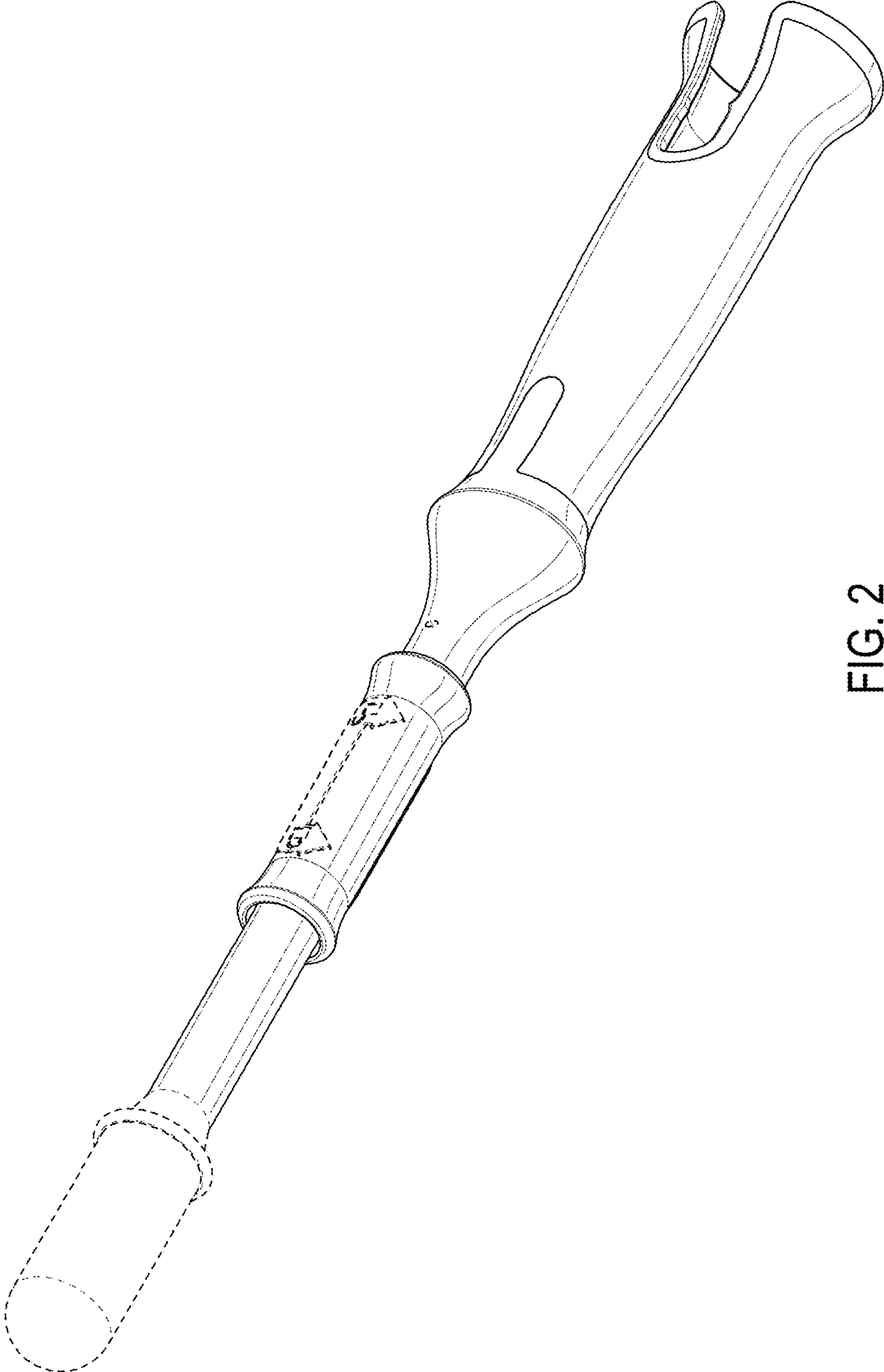


FIG. 2

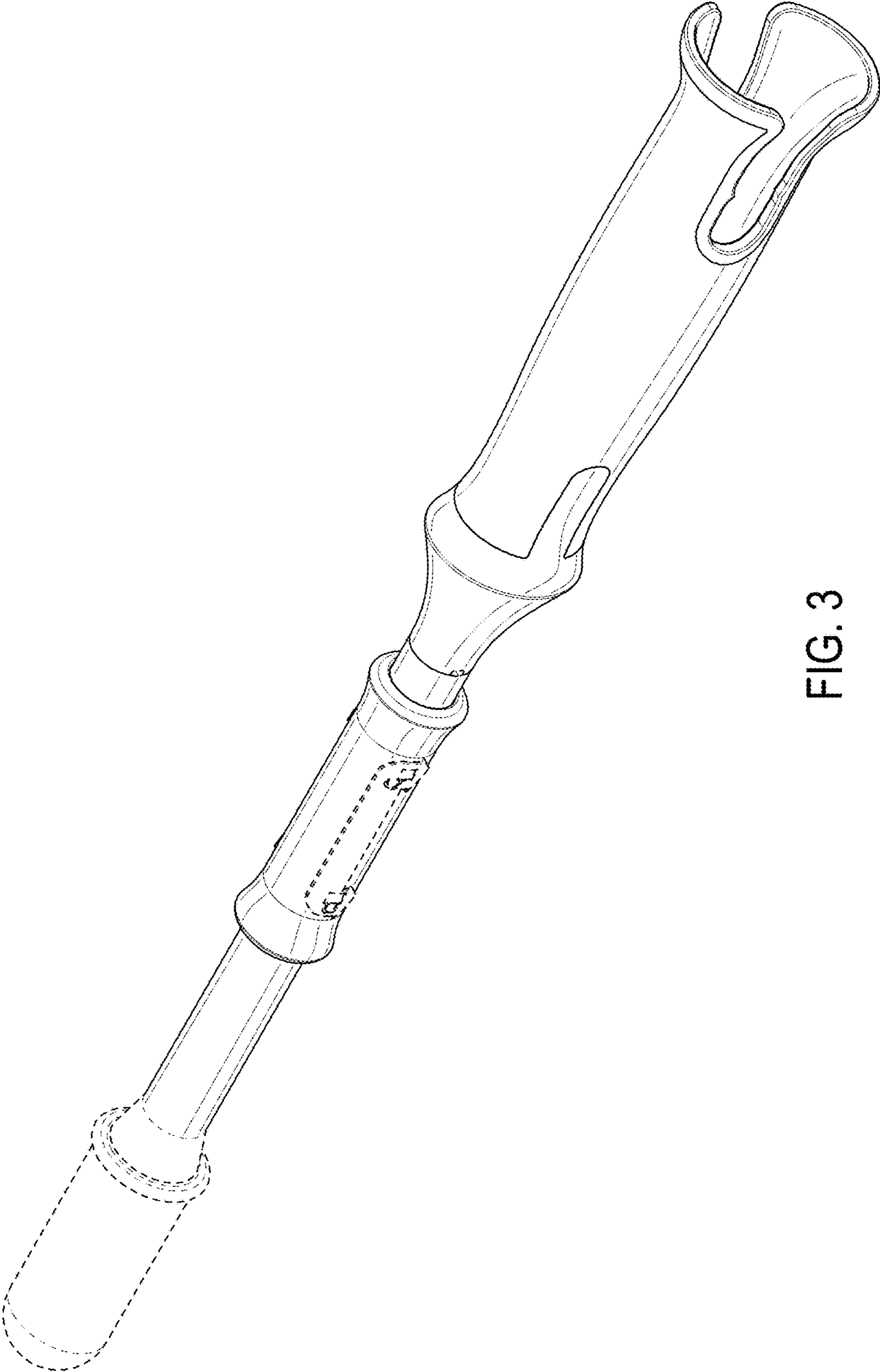


FIG. 3

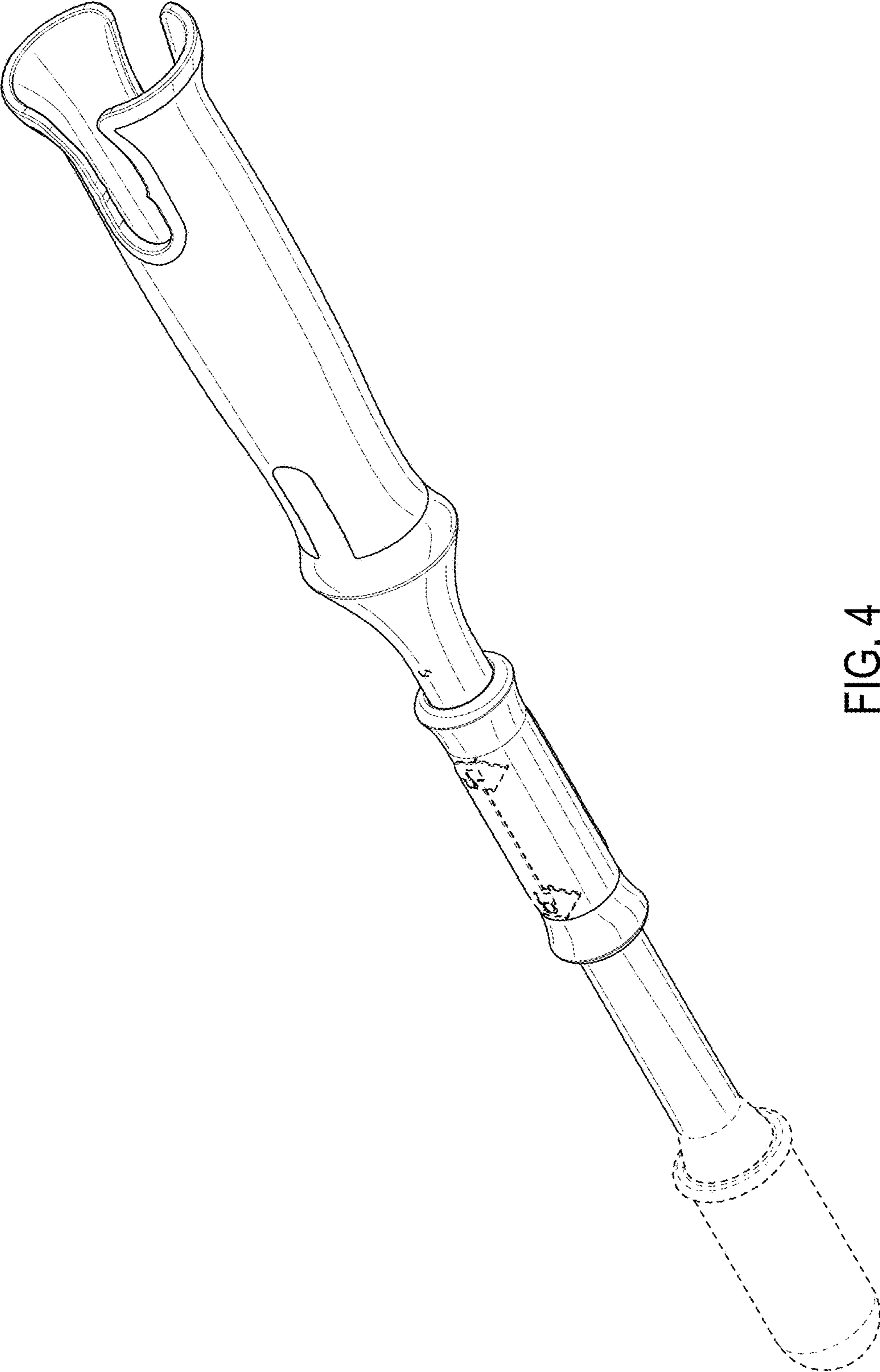


FIG. 4

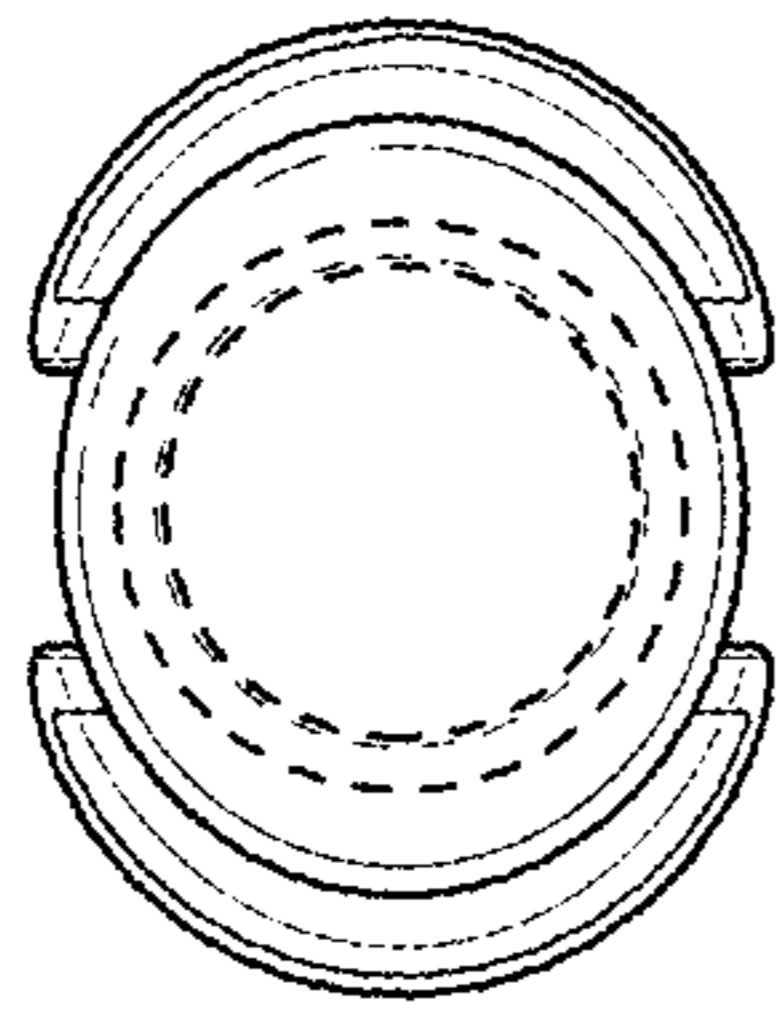


FIG. 5

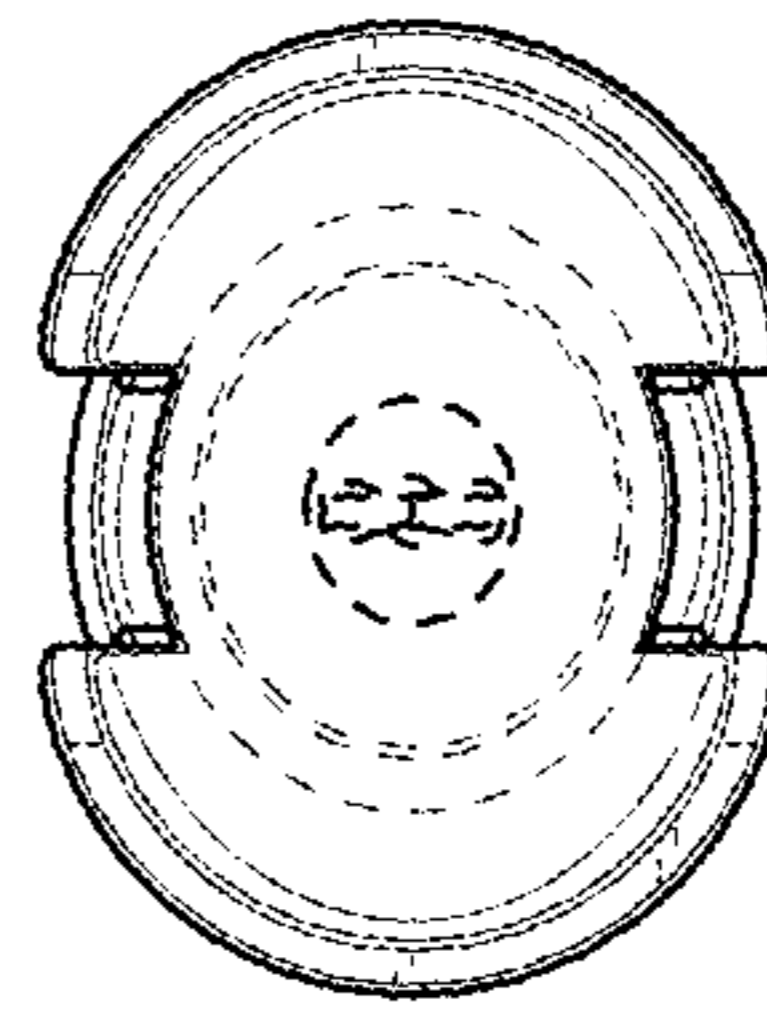


FIG. 6

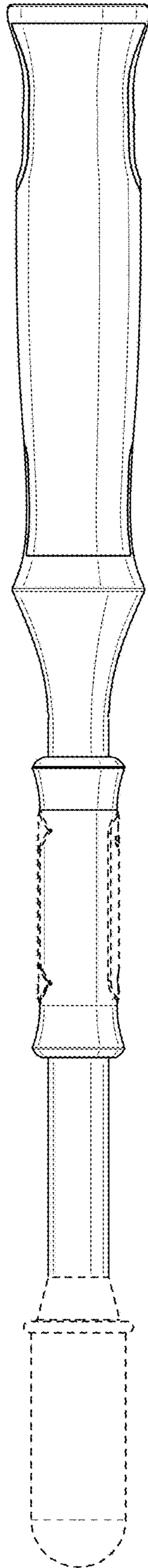


FIG. 7

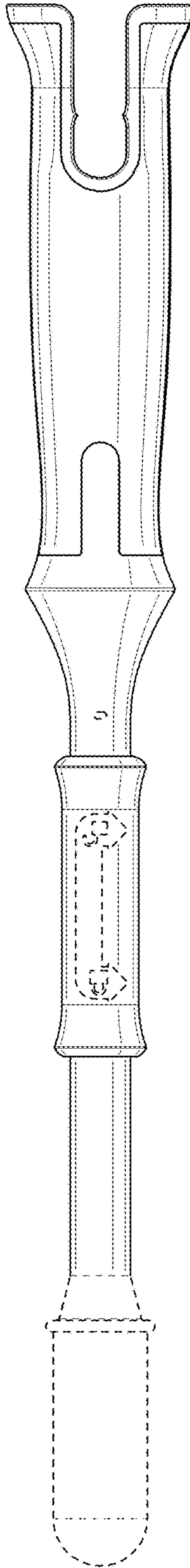


FIG. 8