



US00D852508S

(12) **United States Design Patent**
Connors et al.

(10) **Patent No.:** **US D852,508 S**
(45) **Date of Patent:** **** Jul. 2, 2019**

(54) **GRIP HANDLE**

(71) Applicant: **REMCON PLASTICS, Incorporated,**
Reading, PA (US)

(72) Inventors: **Peter James Connors,** Radnor, PA
(US); **James Peter Connors,** Brooklyn,
NY (US)

(73) Assignee: **REMCON PLASTICS CO.,** Reading,
PA (US)

(**) Term: **15 Years**

(21) Appl. No.: **29/651,145**

(22) Filed: **Dec. 29, 2017**

Related U.S. Application Data

(63) Continuation-in-part of application No. 29/651,058,
filed on Nov. 20, 2017, now abandoned.

(51) **LOC (11) Cl.** **03-01**

(52) **U.S. Cl.**
USPC **D3/304**

(58) **Field of Classification Search**
USPC D7/552.1, 601, 602; D6/672, 675, 683;
D3/304, 314, 315
CPC A47G 23/04; A47G 23/0683; B65D 1/00;
B65D 1/22; B65D 11/20; B65D 2585/00
See application file for complete search history.

(56) **References Cited**

U.S. PATENT DOCUMENTS

D246,872 S * 1/1978 White D3/304
D448,567 S * 10/2001 Buss D3/304

D596,857 S * 7/2009 Ahlgrim D3/307
D600,916 S * 9/2009 Schäfer D3/304
D637,489 S * 5/2011 Petlak D9/434
D639,560 S * 6/2011 Brown D3/304
D684,733 S * 6/2013 Altoon D30/161
D762,387 S * 8/2016 Green D3/304
D828,710 S * 9/2018 Mirchandani D7/354
D832,577 S * 11/2018 Ogilvie D3/304
D837,521 S * 1/2019 Connors D3/304

* cited by examiner

Primary Examiner — Kelley A Donnelly

(74) *Attorney, Agent, or Firm* — Jonathan E. Grant; Grant
Patent Services

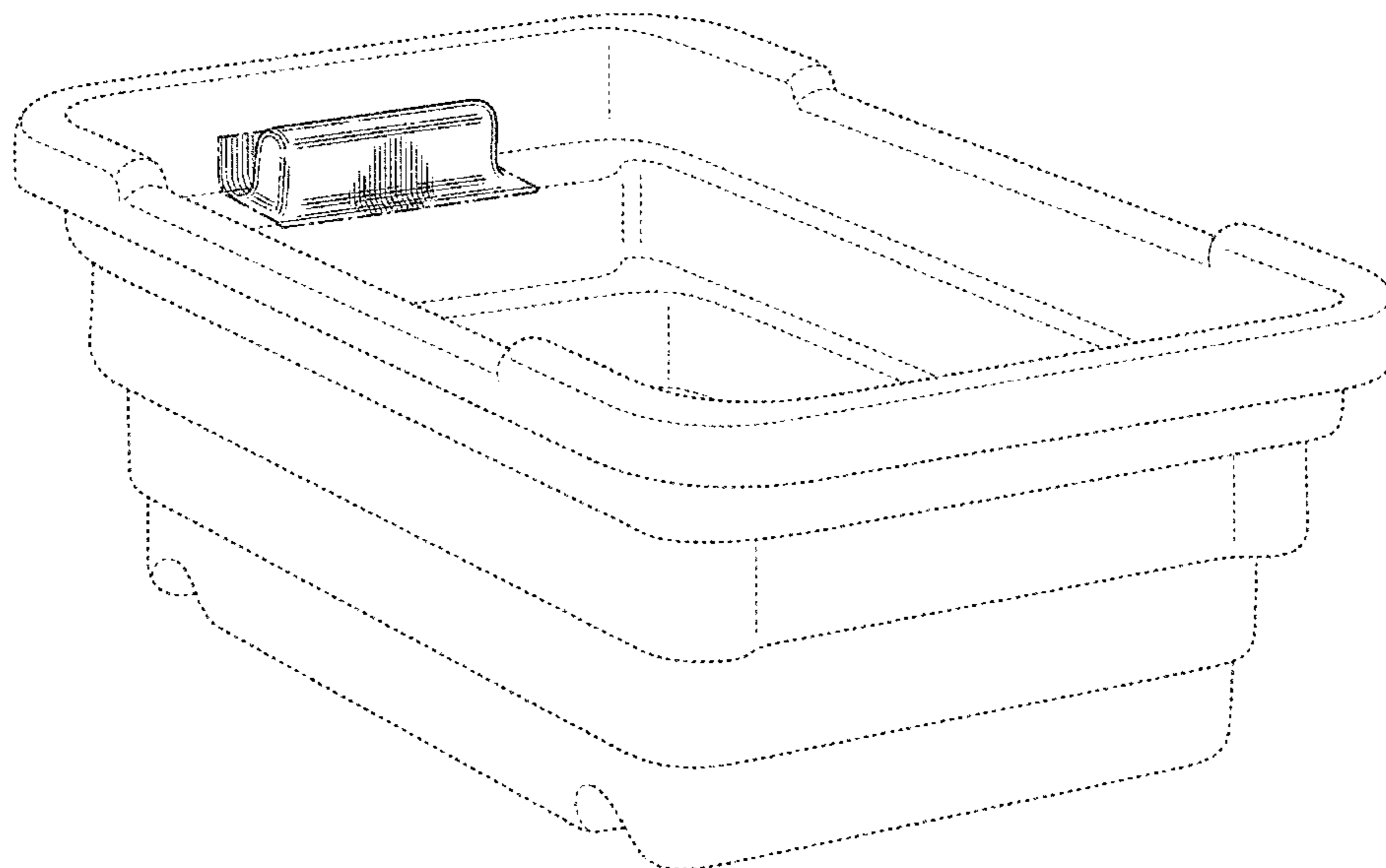
(57) **CLAIM**

We claim the ornamental design for a grip handle, as shown
and described.

DESCRIPTION

FIG. 1 is a perspective view of the grip handle in use;
FIG. 2 is an underside perspective view of the grip handle
in use thereof;
FIG. 3 is a back view of the grip handle in use thereof;
FIG. 4 is a top view of the grip handle in use thereof;
FIG. 5 is bottom view of the grip handle in use thereof;
FIG. 6 is a perspective view of the grip handle thereof;
FIG. 7 is a perspective view of the bottom side of the grip
handle thereof;
FIG. 8 is a cross sectional view of the grip handle thereof;
FIG. 9 is a side view of the grip handle thereof;
FIG. 10 is a top view of the grip handle thereof; and,
FIG. 11 is a bottom view of the grip handle thereof.

1 Claim, 11 Drawing Sheets



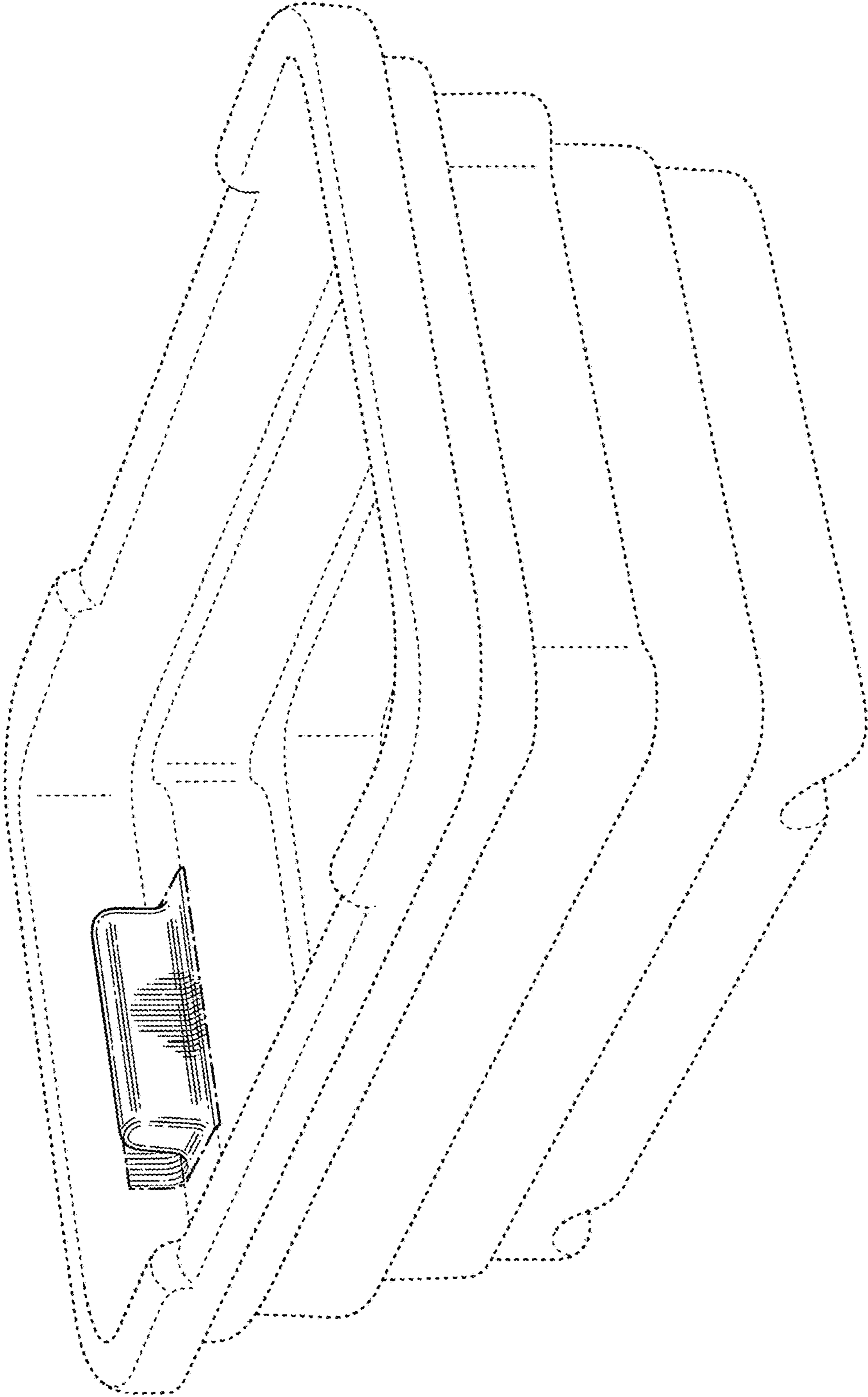


FIG. 1

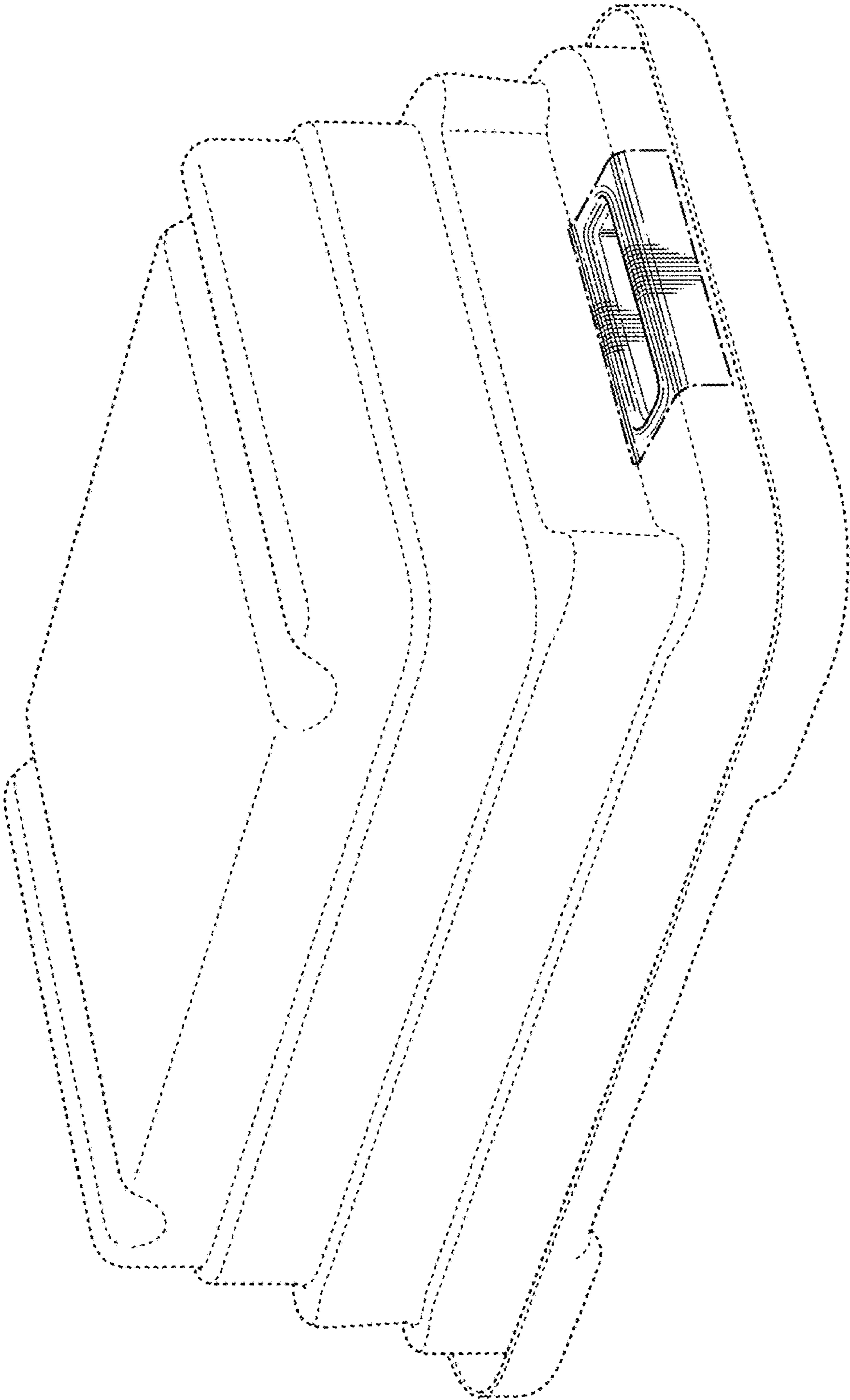


FIG. 2

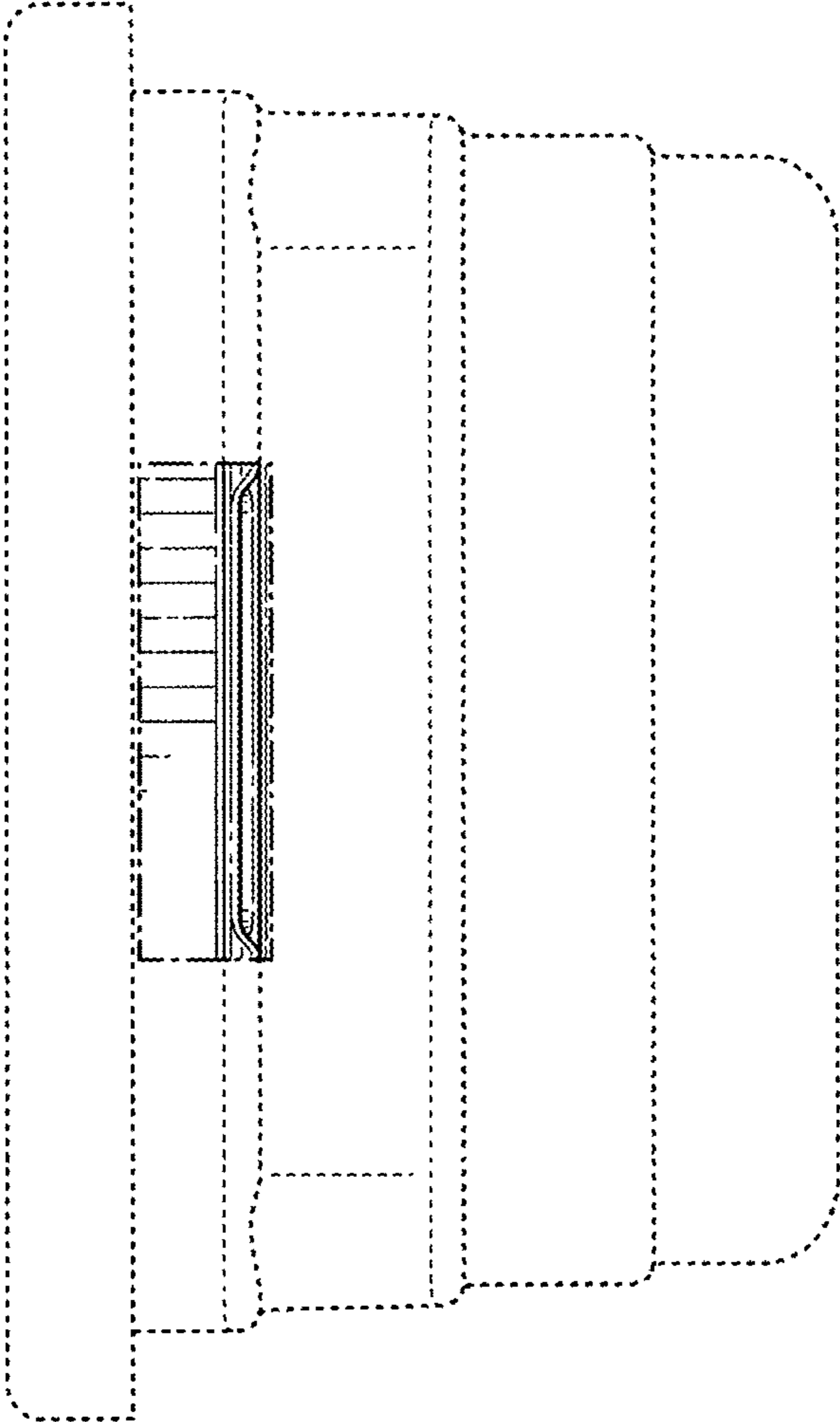


FIG. 3

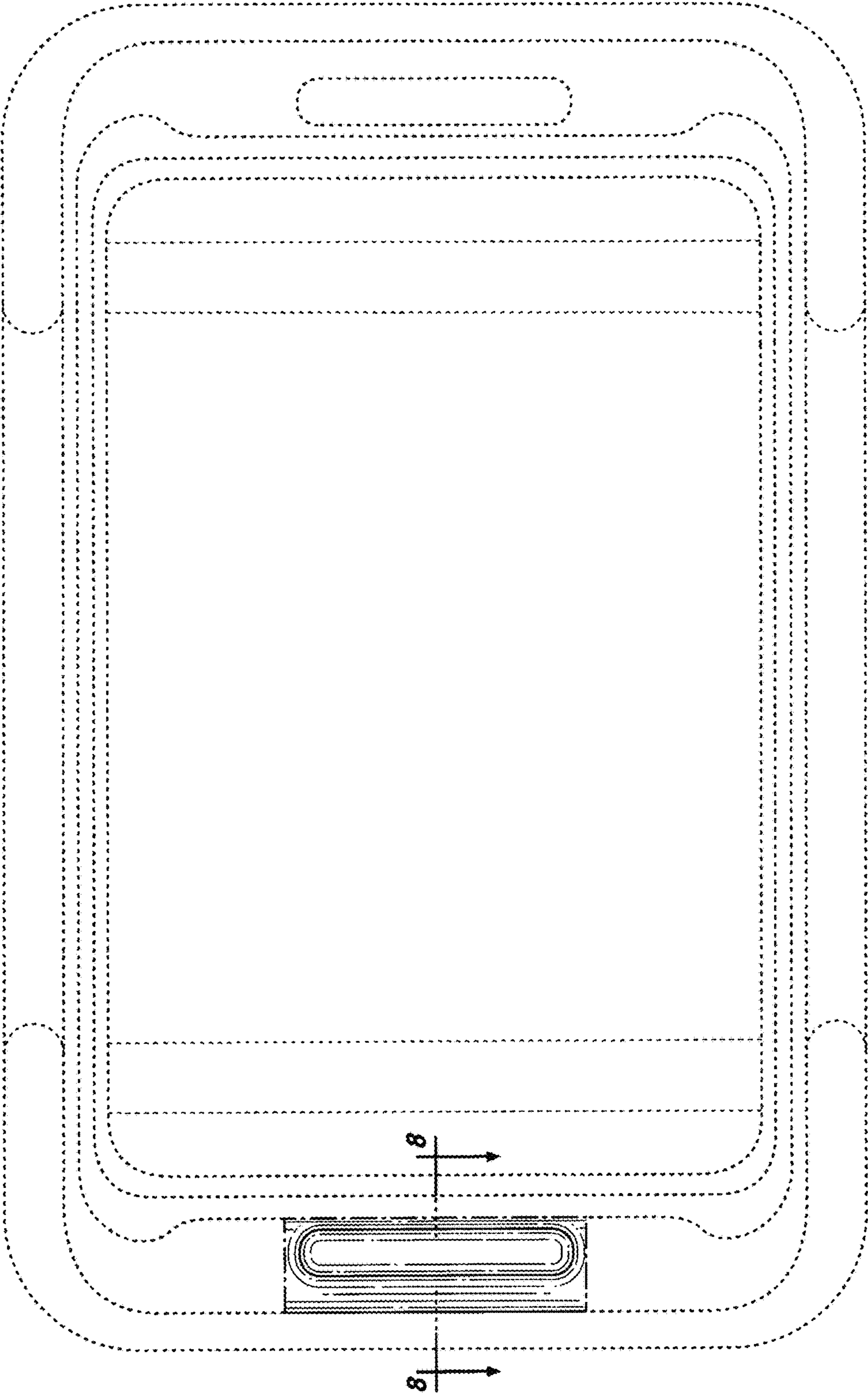


FIG. 4

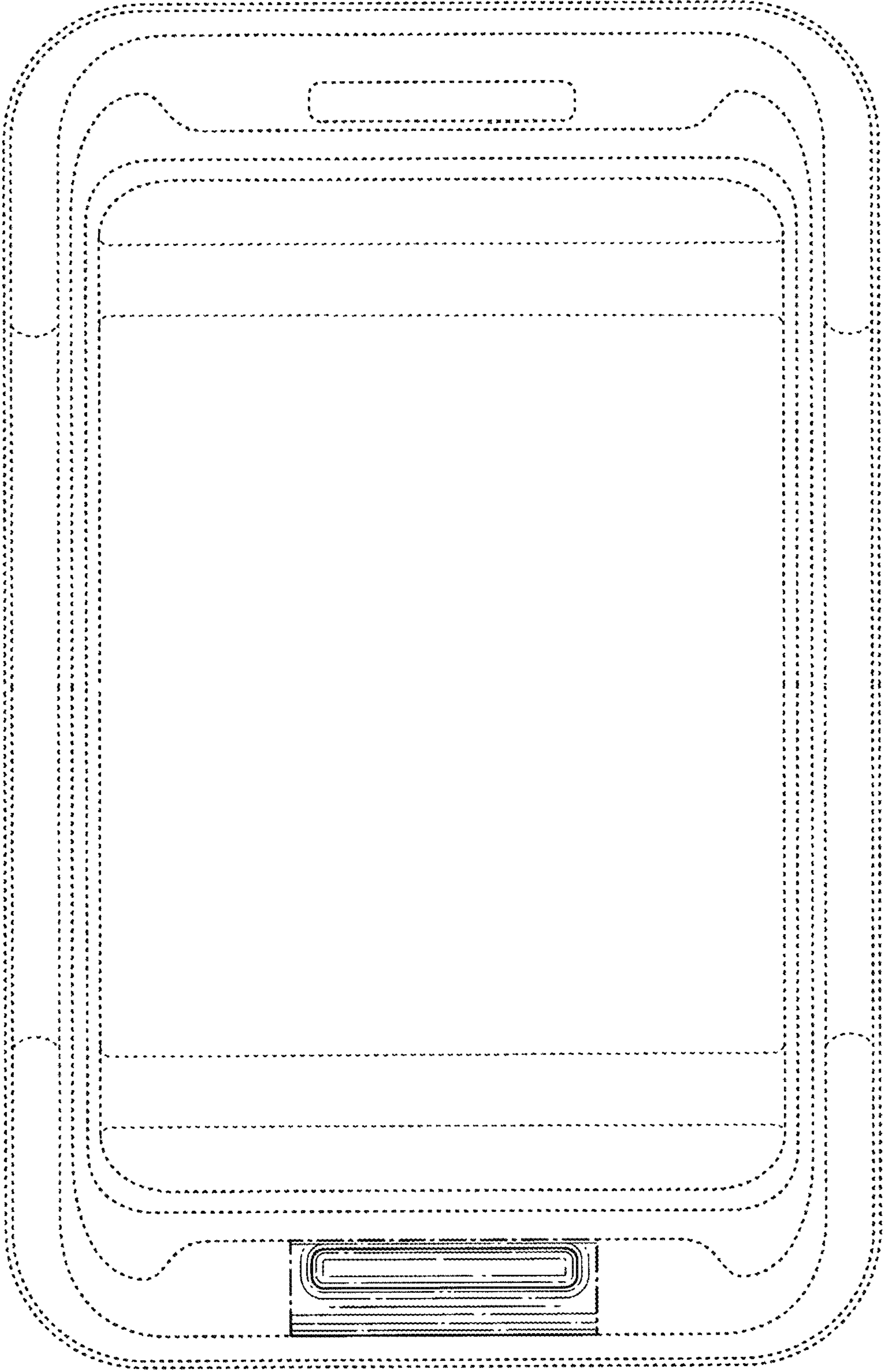


FIG. 5

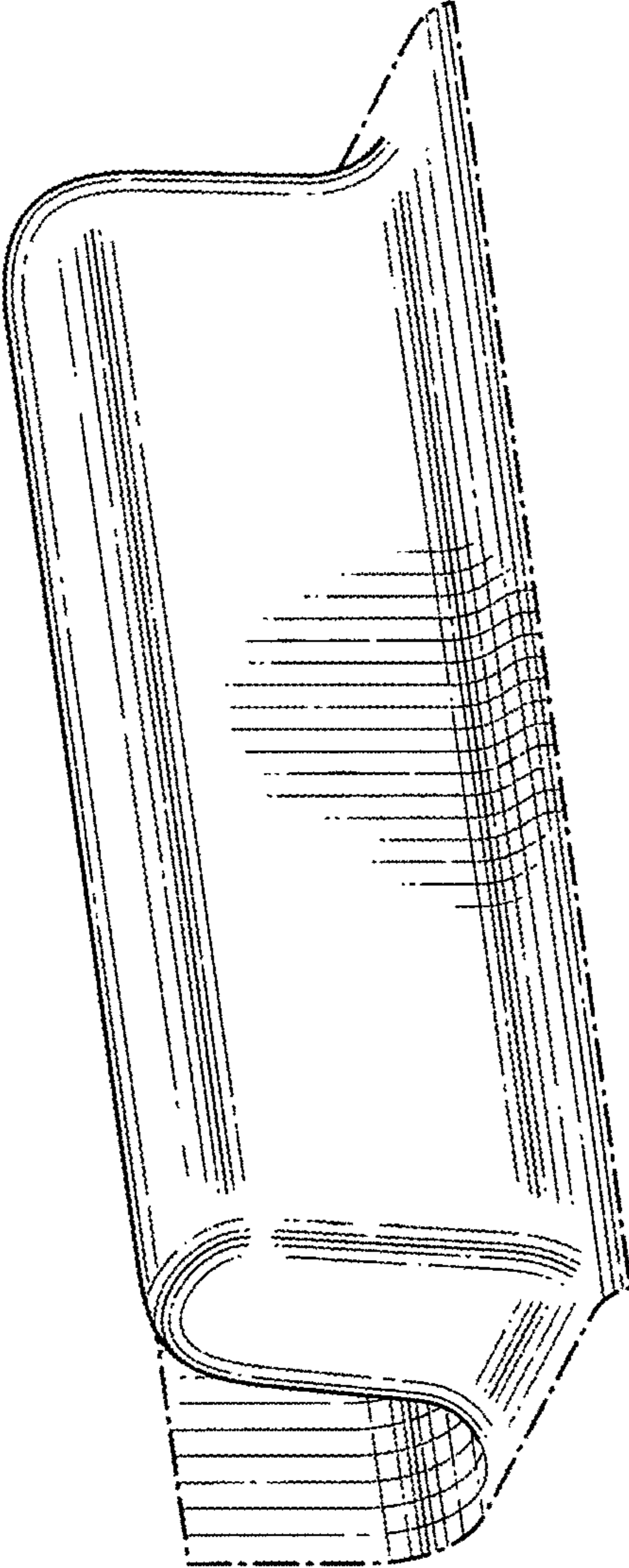


FIG. 6

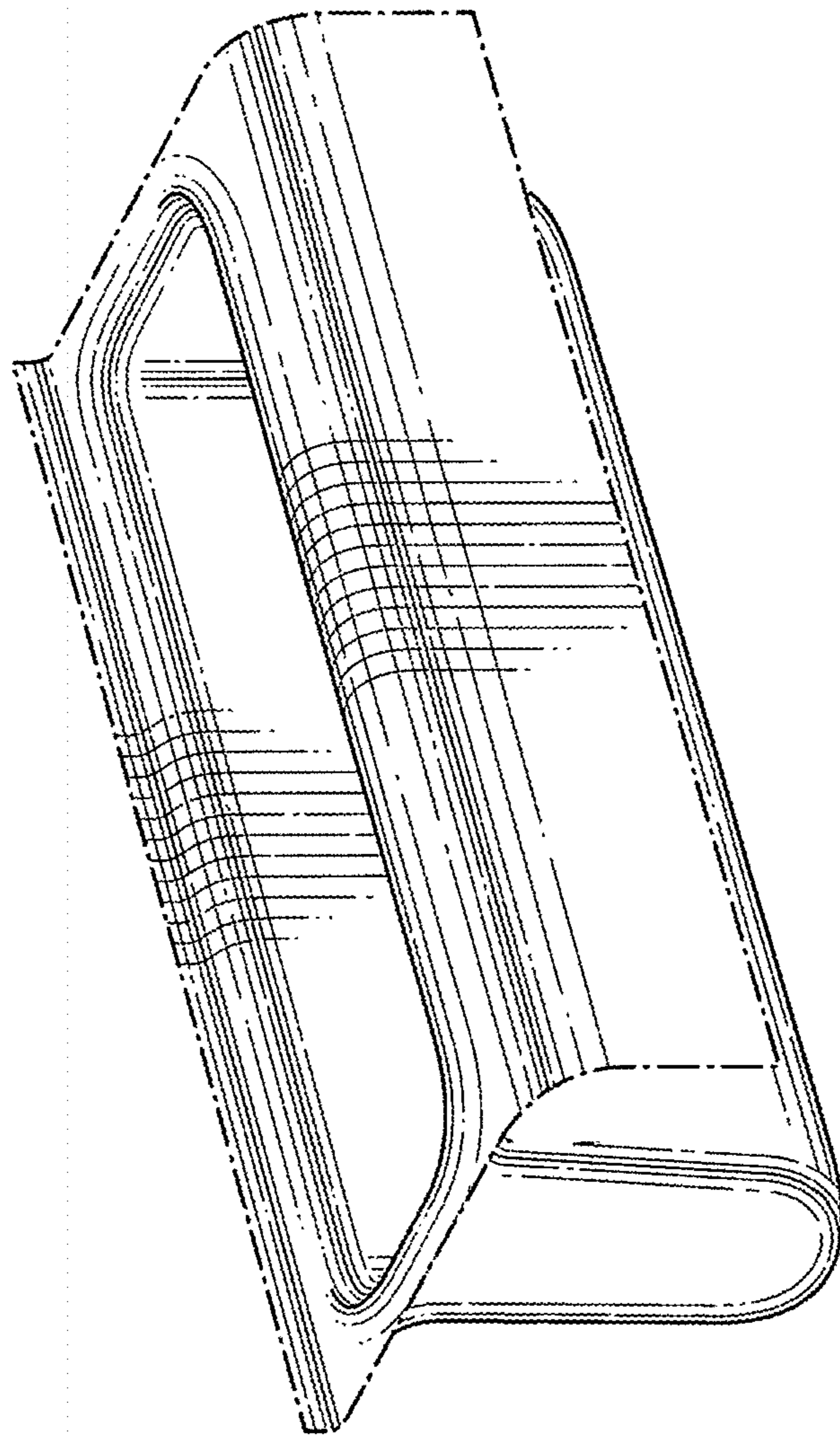


FIG. 7

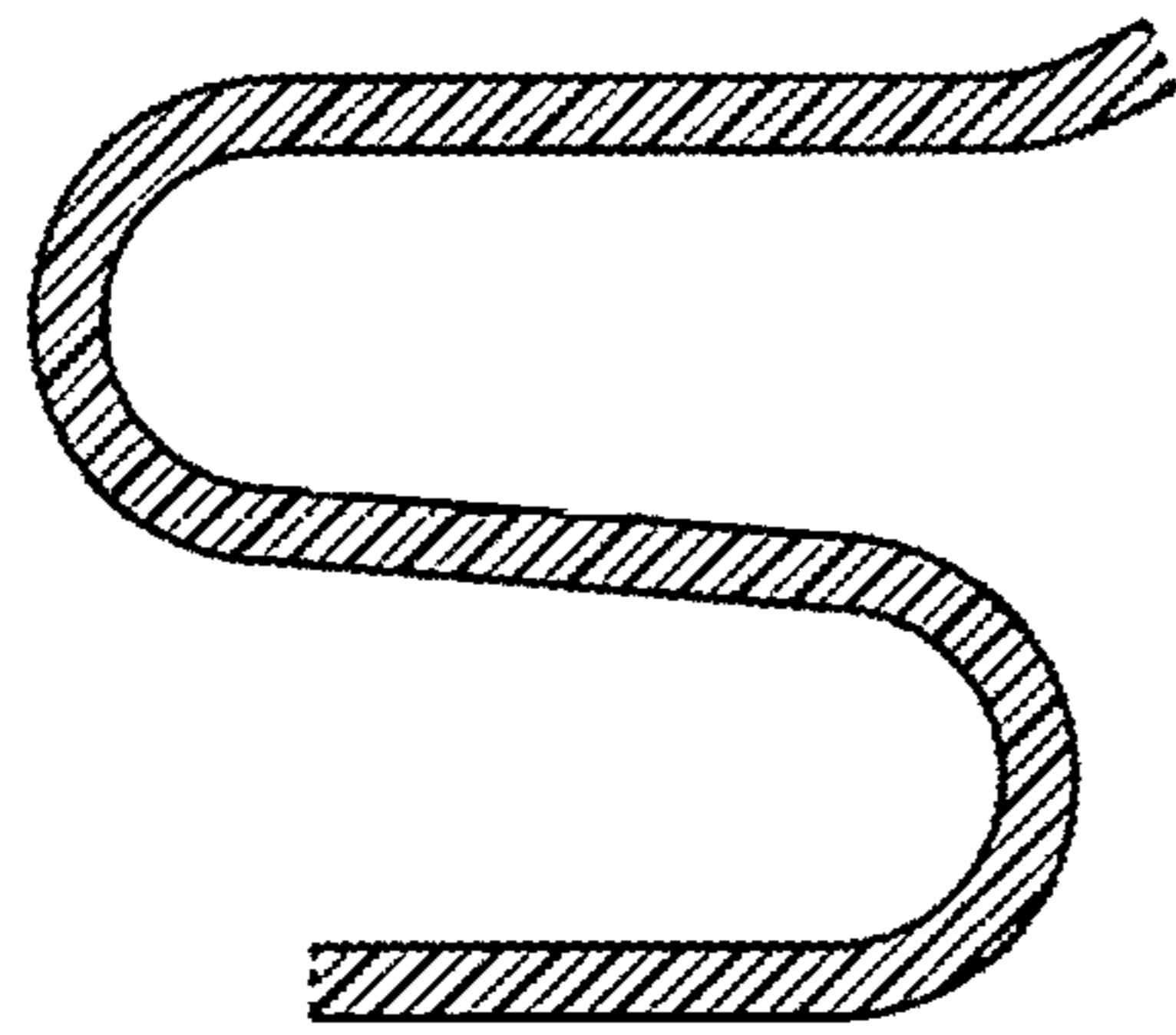


FIG. 8

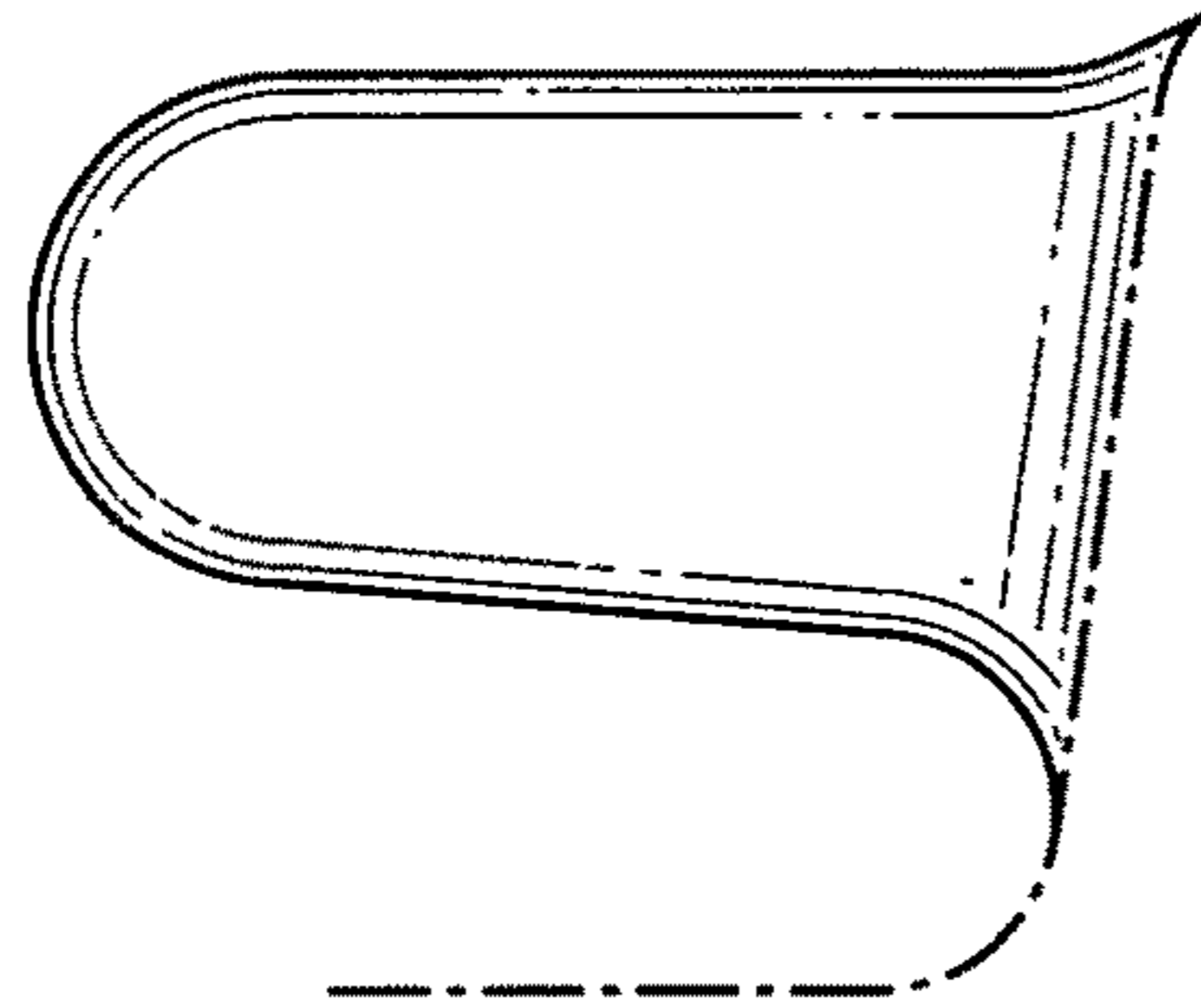


FIG. 9

FIG. 10

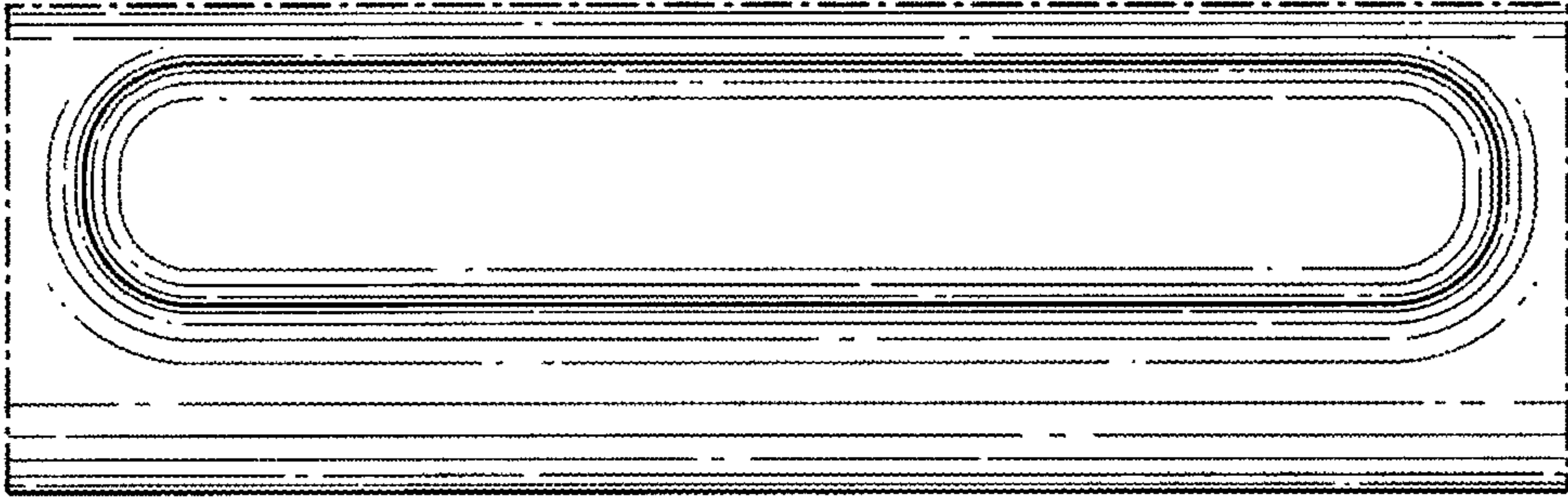


FIG. 11

