



US00D852506S

(12) **United States Design Patent** (10) **Patent No.:** **US D852,506 S**
Clayton (45) **Date of Patent:** **** Jul. 2, 2019**

- (54) **MEMORY CARD CASE**
- (71) Applicant: **Chad Clayton**, Huntington Beach, CA (US)
- (72) Inventor: **Chad Clayton**, Huntington Beach, CA (US)
- (73) Assignee: **Jeffrey Overall**, Fountain Valley, CA (US)
- (**) Term: **15 Years**
- (21) Appl. No.: **29/668,538**
- (22) Filed: **Oct. 31, 2018**
- (51) **LOC (11) Cl.** **03-01**
- (52) **U.S. Cl.**
USPC **D3/294**
- (58) **Field of Classification Search**
USPC D3/272, 273, 274, 275, 276, 281, 284, D3/292, 294, 306; D9/414, 418, D9/420-423, 432
CPC .. A45C 5/00; A45C 5/04; A45C 11/00; A45C 11/16
See application file for complete search history.

(56) **References Cited**

U.S. PATENT DOCUMENTS

D314,865 S	2/1991	Tuisku	
D333,615 S *	3/1993	Zutler	D3/294
D427,767 S *	7/2000	Young	D3/276
D430,398 S *	9/2000	Kimura	D3/273
D492,876 S	7/2004	Goto	
D496,585 S *	9/2004	McBride	D3/294
D498,787 S	11/2004	Nelms	
D539,539 S *	4/2007	Braden	D14/203.7
D545,361 S	6/2007	Boland	
D548,970 S *	8/2007	Huang	D3/294
D553,354 S	10/2007	Kohler	
D613,945 S *	4/2010	Molina	D3/294

D636,182 S *	4/2011	Yang	D3/294
D640,058 S *	6/2011	Molina	D3/294
D649,341 S *	11/2011	Long, Jr.	D3/201
D666,811 S *	9/2012	Yang	D3/247
D697,308 S	1/2014	Daniel	
D702,438 S *	4/2014	Chen	D3/294
D705,538 S	5/2014	Dietrich	
D724,835 S	3/2015	Zhang	
D735,476 S *	8/2015	Duvigneau	D3/294
D738,110 S *	9/2015	Jiang	D3/294
D772,572 S *	11/2016	Palmborg	D3/201
D775,818 S *	1/2017	Ingraham	D3/218
D793,380 S	8/2017	Ballou	
D795,056 S *	8/2017	Zeitlin	D3/294
D806,389 S *	1/2018	Muhlenkamp, IV	D3/295
D818,712 S *	5/2018	Fleming	D3/294
D834,819 S *	12/2018	Burek	D3/294
2007/0234636 A1 *	10/2007	Schwartz	A01K 97/06 43/54.1

* cited by examiner

Primary Examiner — Holly E Thurman

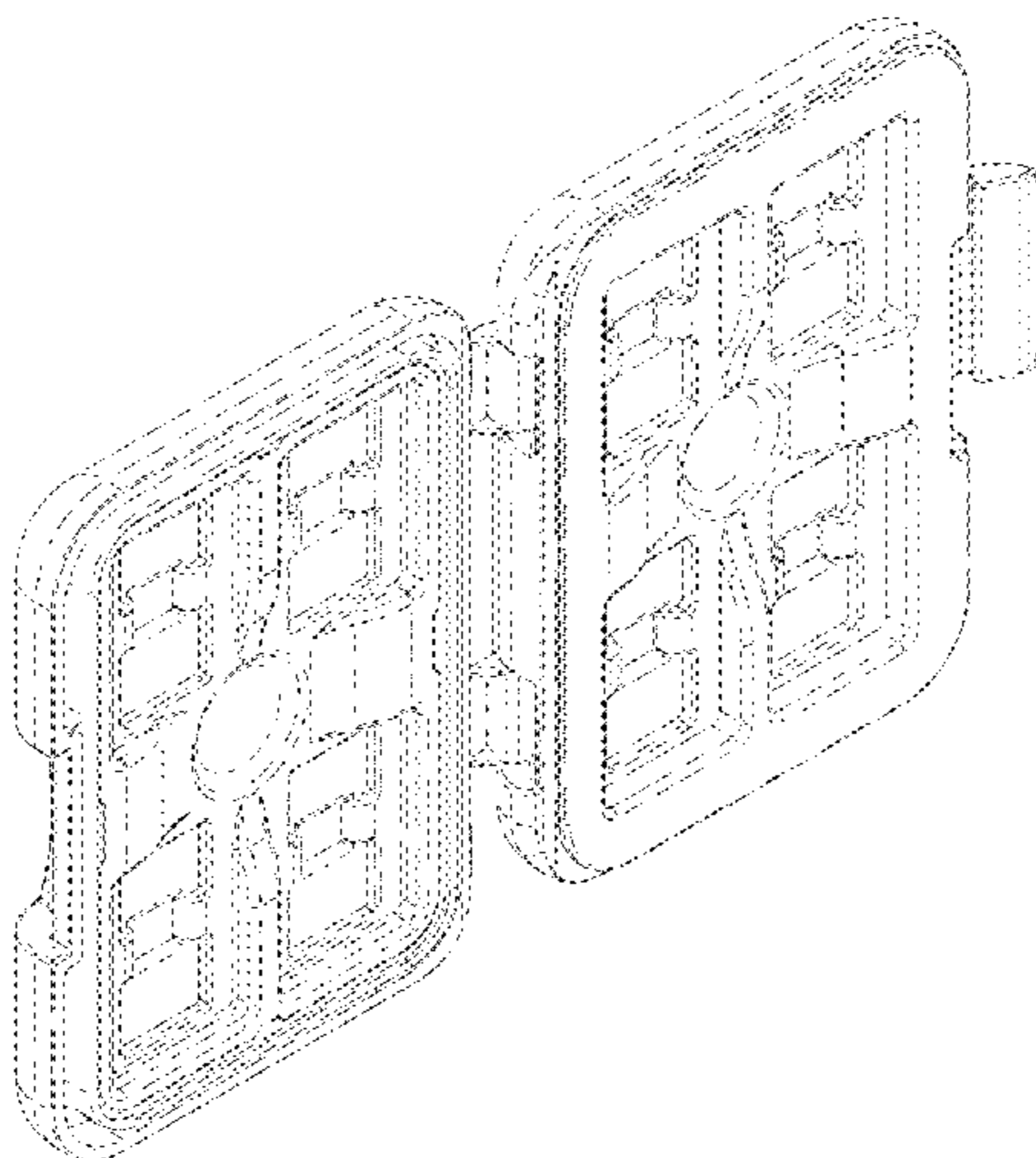
(57) **CLAIM**

The ornamental design for a memory card case, as shown and described.

DESCRIPTION

FIG. 1 is an enlarged top perspective view of the memory case showing my new design;
 FIG. 2 is a front view thereof;
 FIG. 3 is rear view thereof;
 FIG. 4 is a right side view thereof;
 FIG. 5 is a left side view thereof;
 FIG. 6 is a top plan view thereof;
 FIG. 7 is a bottom plan view thereof; and,
 FIG. 8 is a cross-sectional view thereof, taken along line 8-8 of FIG. 2.
 The broken lines depicting the internal structure in FIG. 8 form no part of the claimed design.

1 Claim, 5 Drawing Sheets



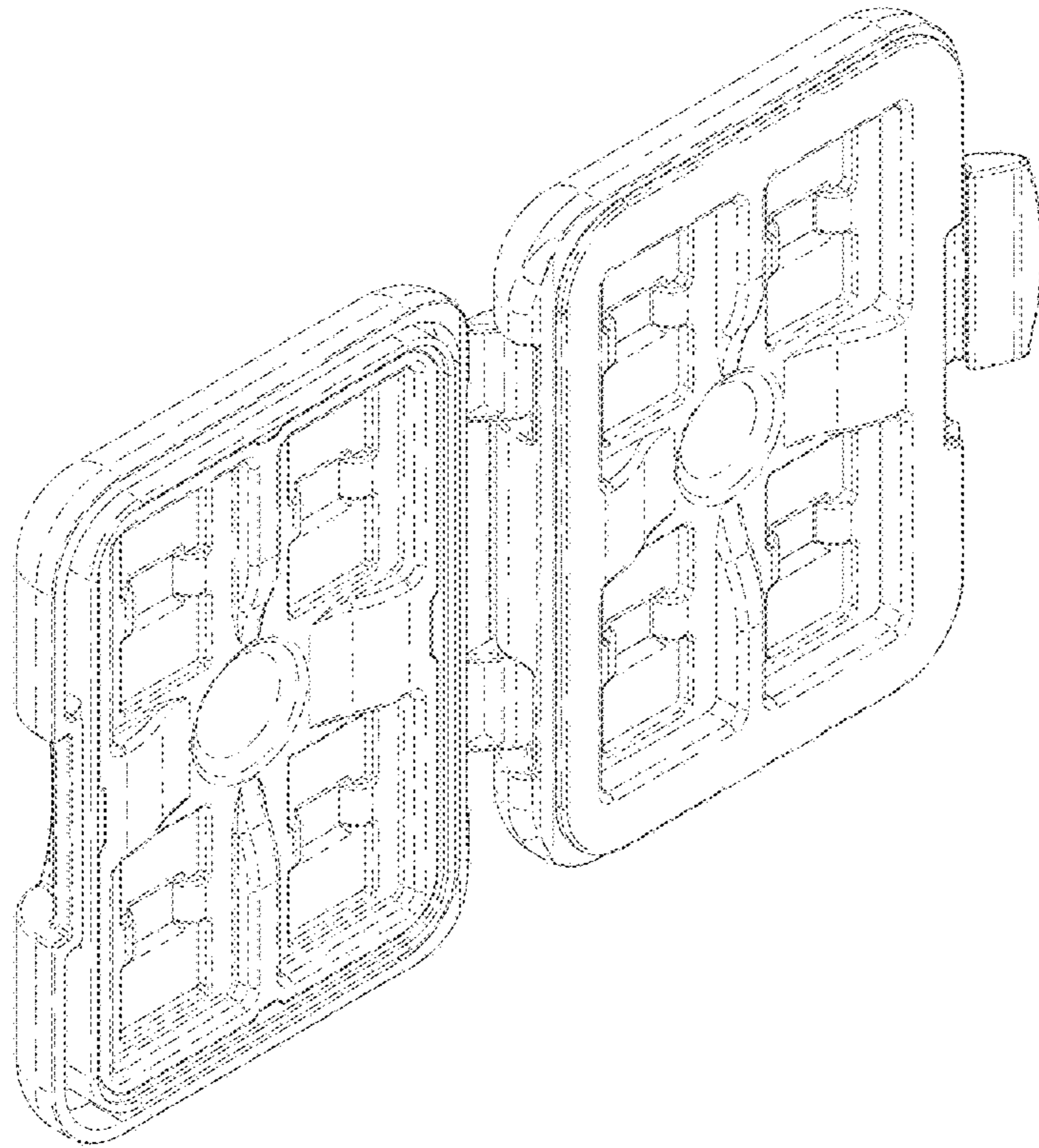


FIG. 1

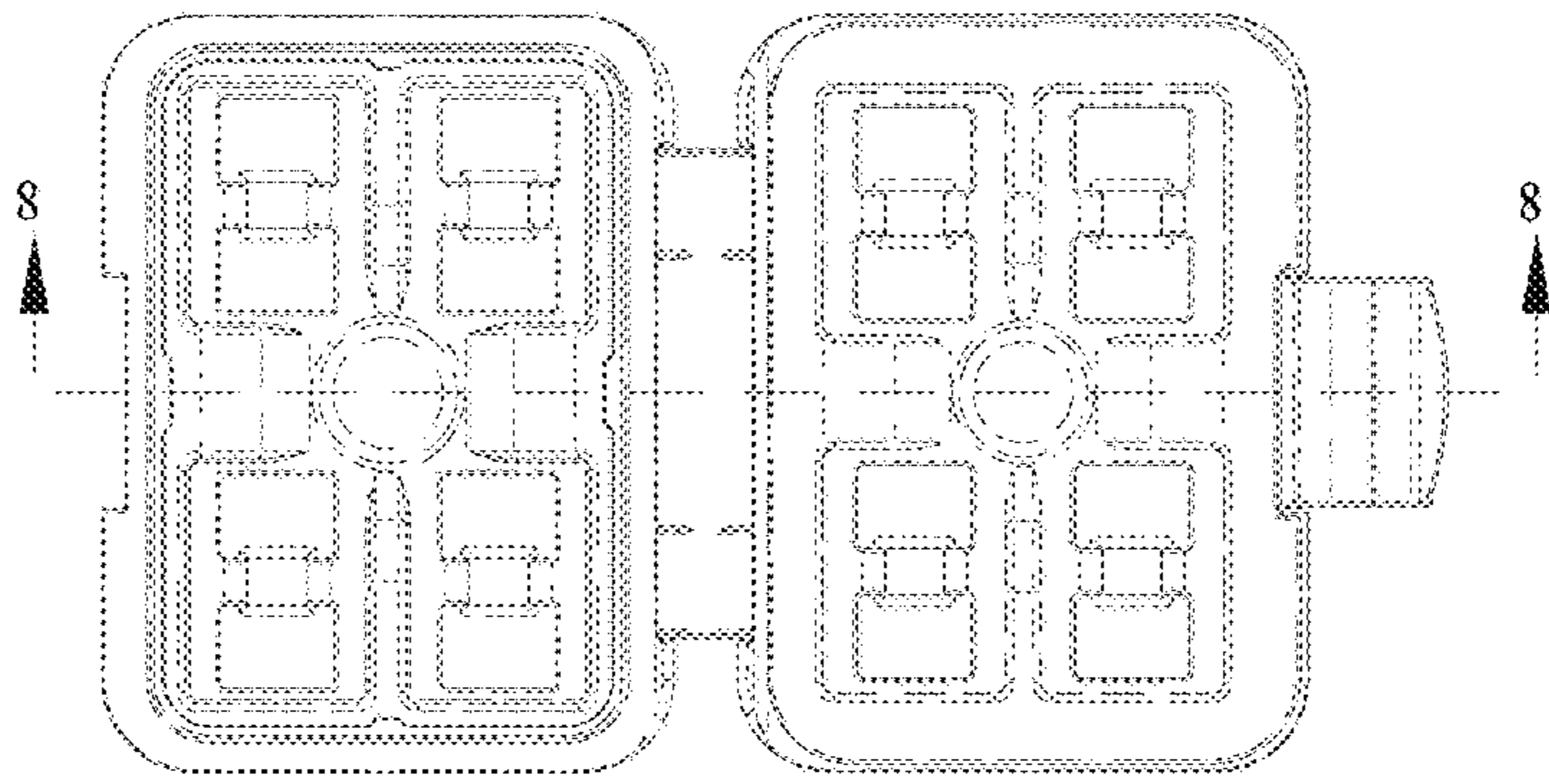


FIG. 2

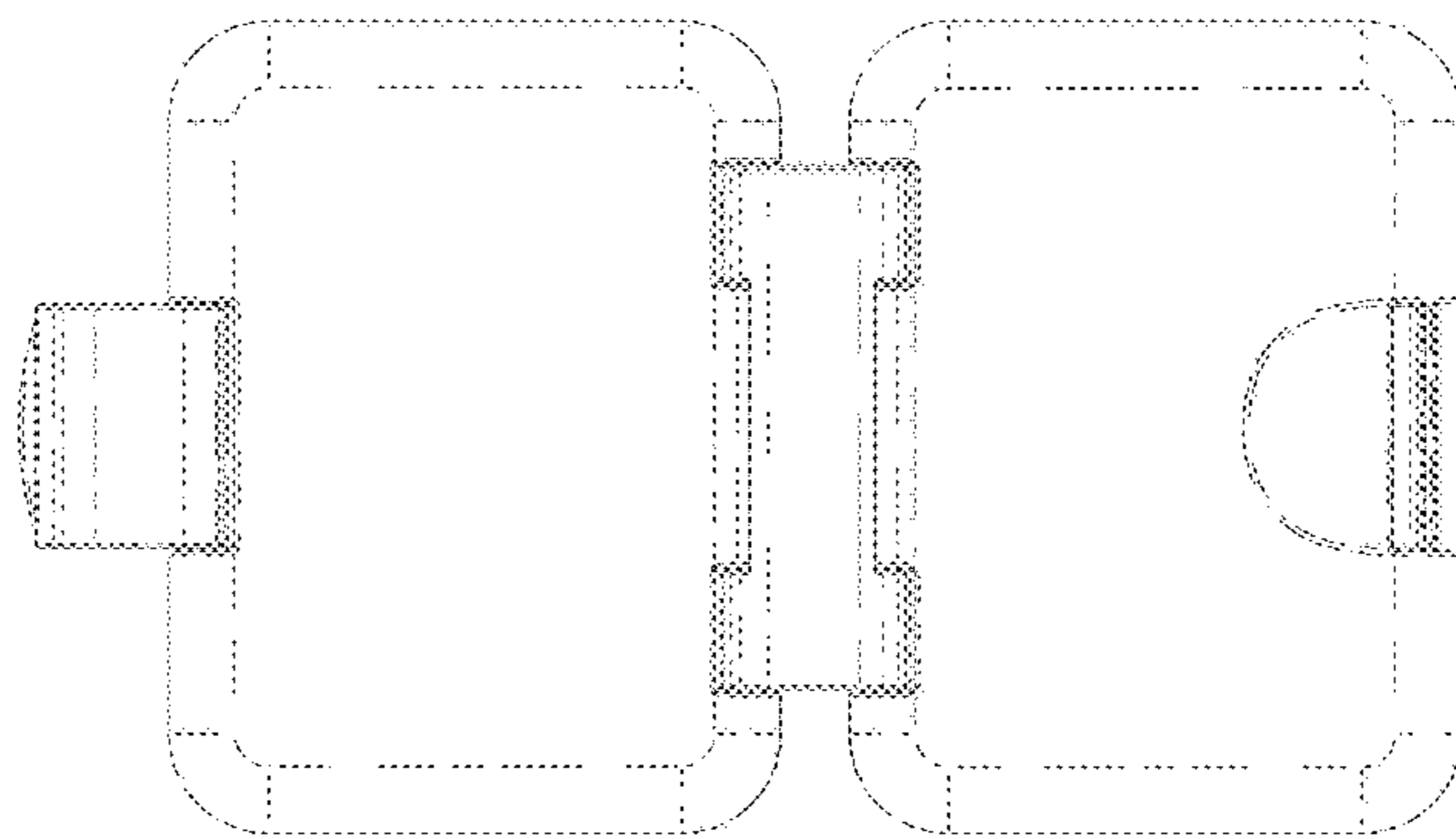


FIG. 3

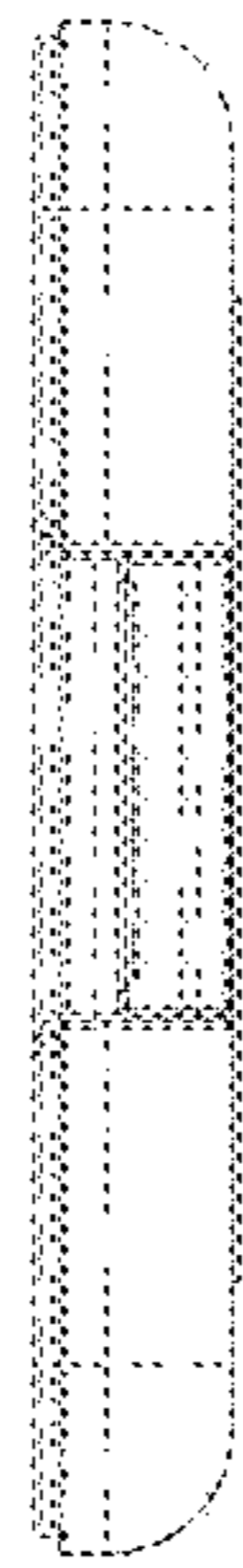


FIG. 4

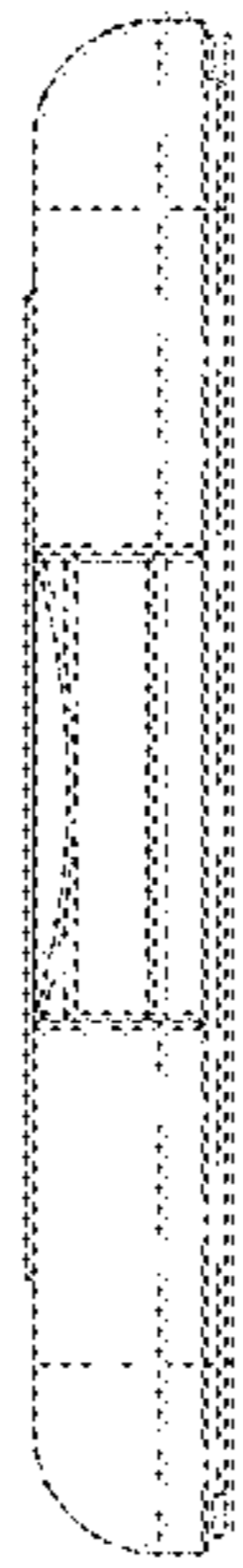


FIG. 5

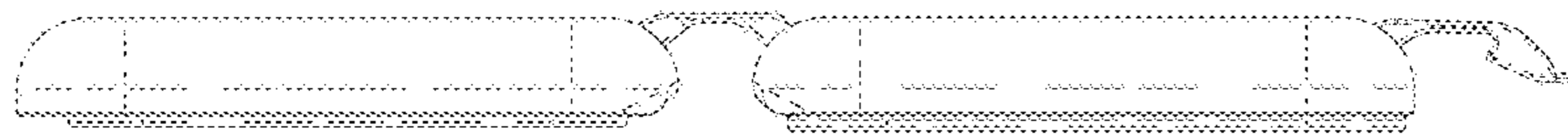


FIG. 6



FIG. 7



FIG. 8