



US00D852505S

(12) **United States Design Patent**  
**Chen**

(10) **Patent No.:** **US D852,505 S**

(45) **Date of Patent:** **\*\* Jul. 2, 2019**

(54) **LUGGAGE**

(71) Applicant: **Fan Tang**, El Monte, CA (US)

(72) Inventor: **Lin Chen**, Wenzhou (CN)

(\*\*) Term: **15 Years**

(21) Appl. No.: **29/614,748**

(22) Filed: **Aug. 22, 2017**

(51) **LOC (11) Cl.** ..... **03-01**

(52) **U.S. Cl.**

USPC ..... **D3/279**

(58) **Field of Classification Search**

USPC ..... D3/269, 272, 273, 274, 276, 277, 279,  
D3/280, 281, 283, 284, 285, 289, 302,  
D3/900, 902, 904, 271.2

CPC ..... A45C 5/00; A45C 5/03; A45C 2005/032;  
A45C 5/08; A45C 5/14

See application file for complete search history.

(56) **References Cited**

**U.S. PATENT DOCUMENTS**

D644,435 S *	9/2011	Weng	.....	D3/279
D659,395 S *	5/2012	Sijmons	.....	D3/279
D709,696 S *	7/2014	Wu	.....	D3/279
D710,610 S *	8/2014	Sijmons	.....	D3/279
D712,143 S *	9/2014	Chehebar	.....	D3/279
D722,771 S *	2/2015	Wu	.....	D3/279
D740,558 S *	10/2015	Liao	.....	D3/279
D796,838 S *	9/2017	Sijmons	.....	D3/279

D797,456 S *	9/2017	Chen	.....	D3/318
D804,818 S *	12/2017	Sadler	.....	D3/279
D805,772 S *	12/2017	Oshima	.....	D3/279
D817,638 S *	5/2018	Salander	.....	D3/279

**OTHER PUBLICATIONS**

Amazon, "Cloud 9—All Aluminum Luxury Hard Case 20" Carry-On Luggage", first on sale "Feb. 7, 2017". (<https://www.amazon.com/Cloud-Aluminum-Luxury-Hard-Carry/dp/B01MV14HH7>).\*

\* cited by examiner

*Primary Examiner* — Jennifer Rivard

*Assistant Examiner* — April Rivas

(74) *Attorney, Agent, or Firm* — Tsz Lung Yeung

(57) **CLAIM**

The ornamental design for a luggage, as shown and described.

**DESCRIPTION**

FIG. 1 is a front perspective view of a luggage showing my new design.

FIG. 2 is a front view thereof.

FIG. 3 is a rear view thereof.

FIG. 4 is a right end view thereof.

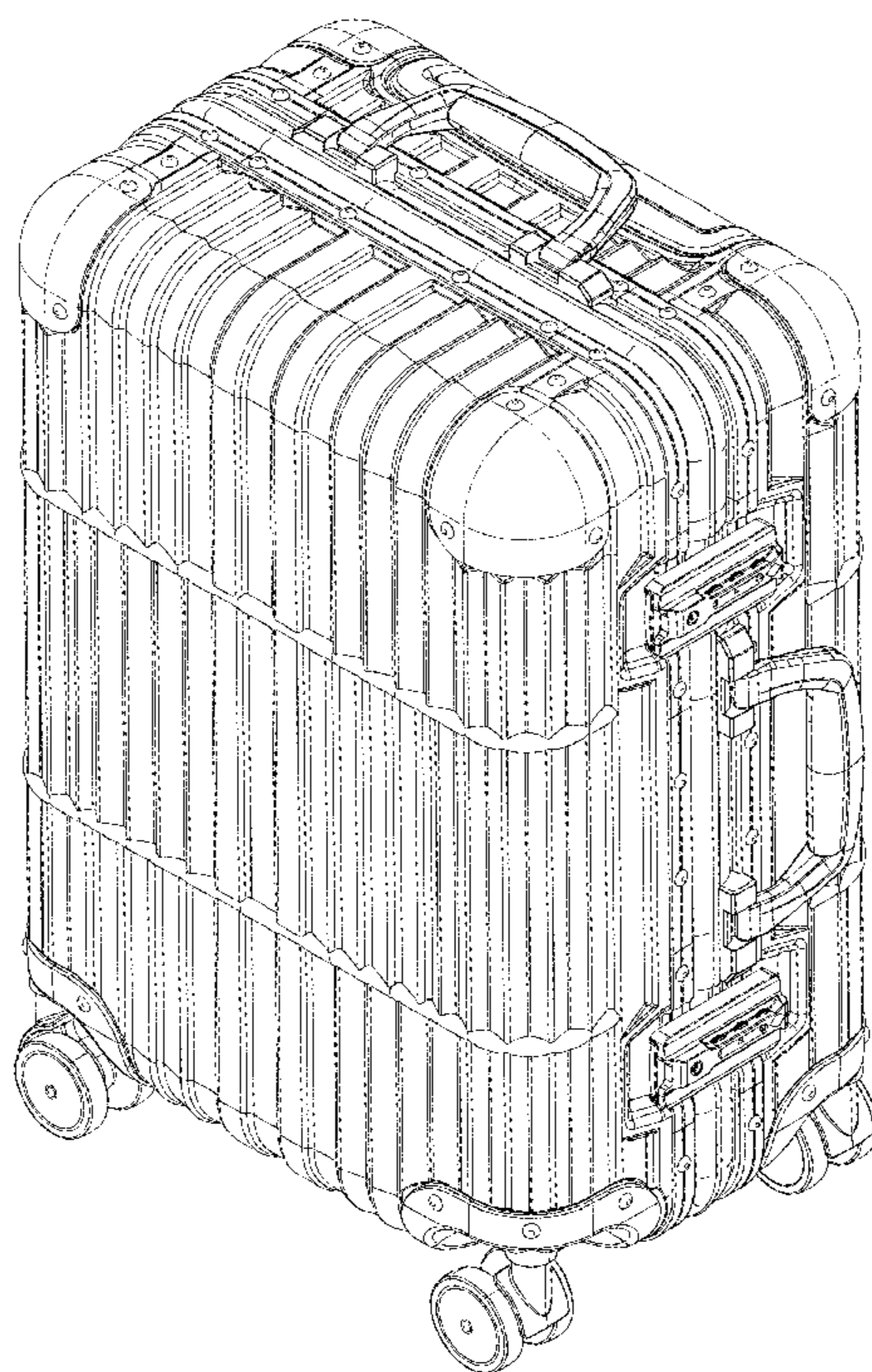
FIG. 5 is a left end view thereof.

FIG. 6 is a top view thereof.

FIG. 7 is a bottom view thereof; and,

FIG. 8 is rear perspective view thereof.

**1 Claim, 8 Drawing Sheets**



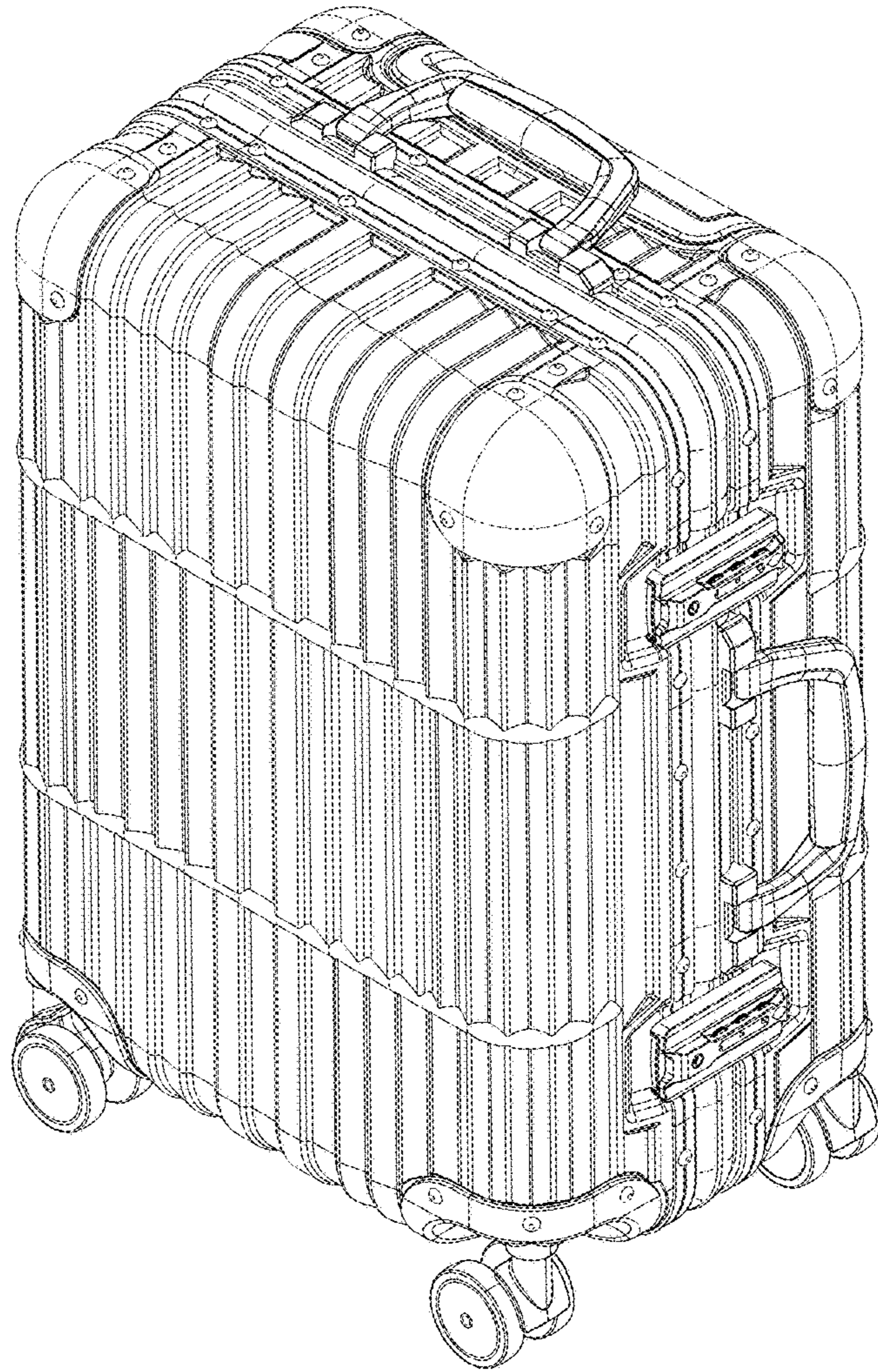


FIG. 1

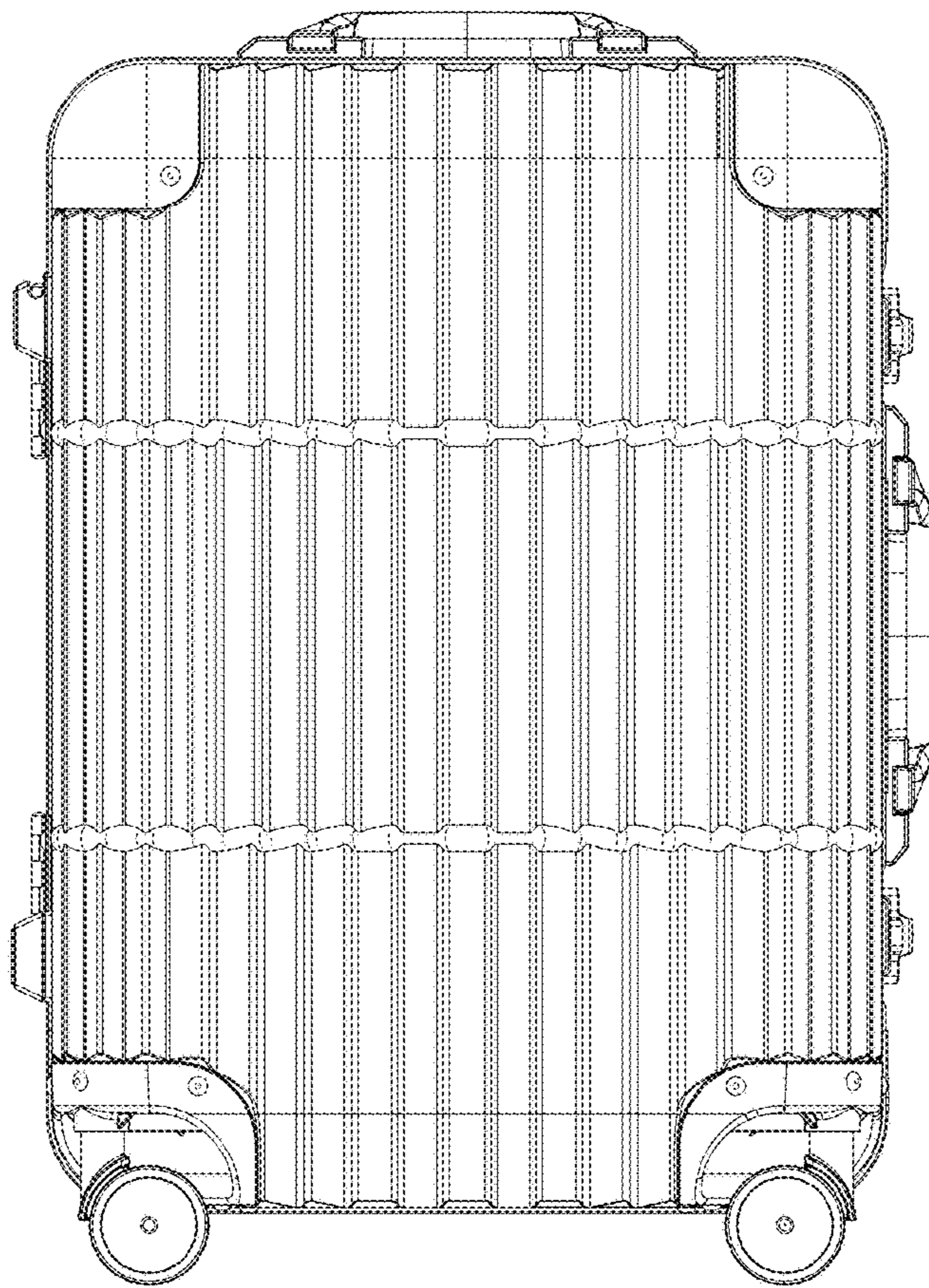
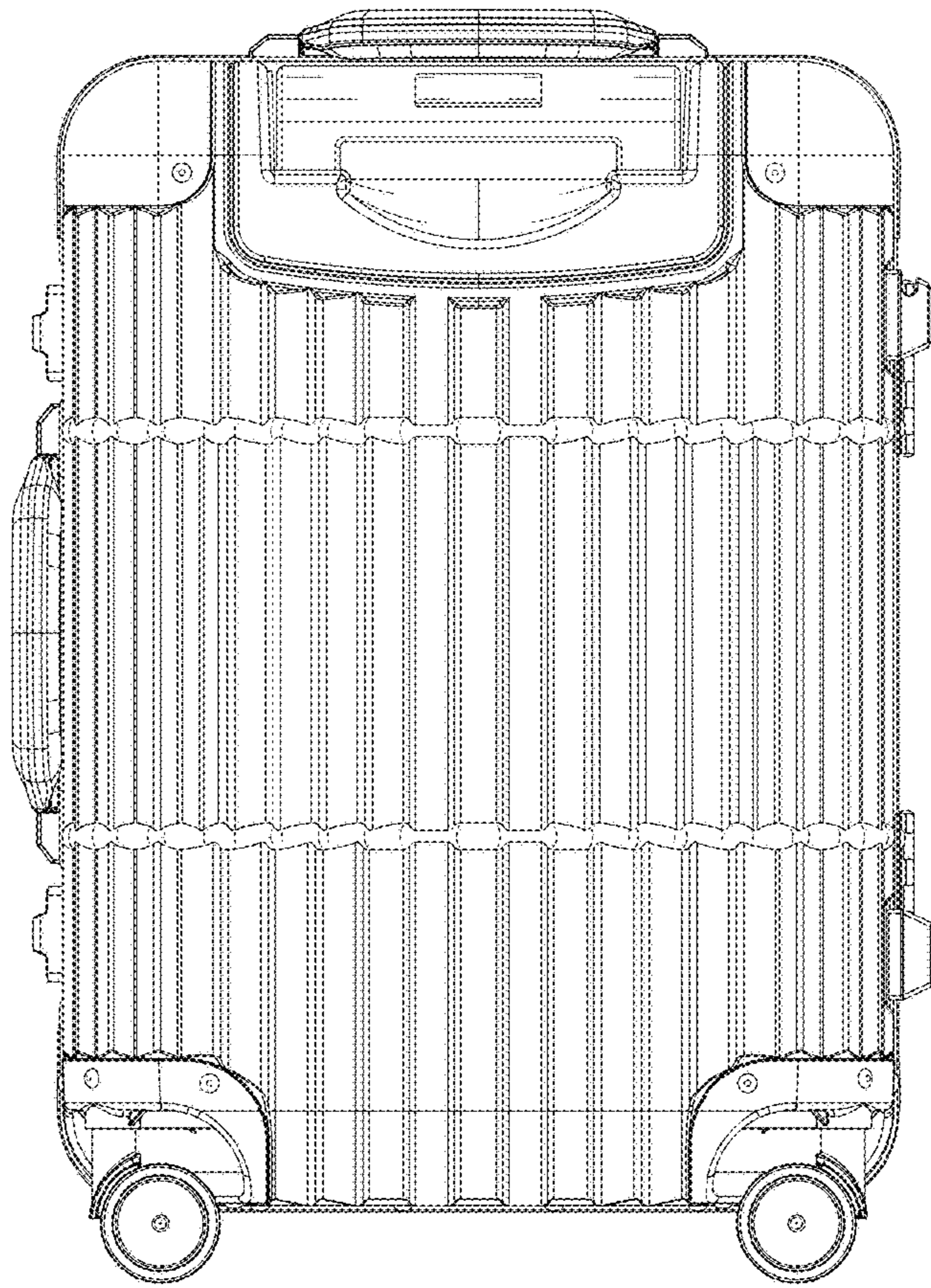


FIG. 2



*FIG. 3*

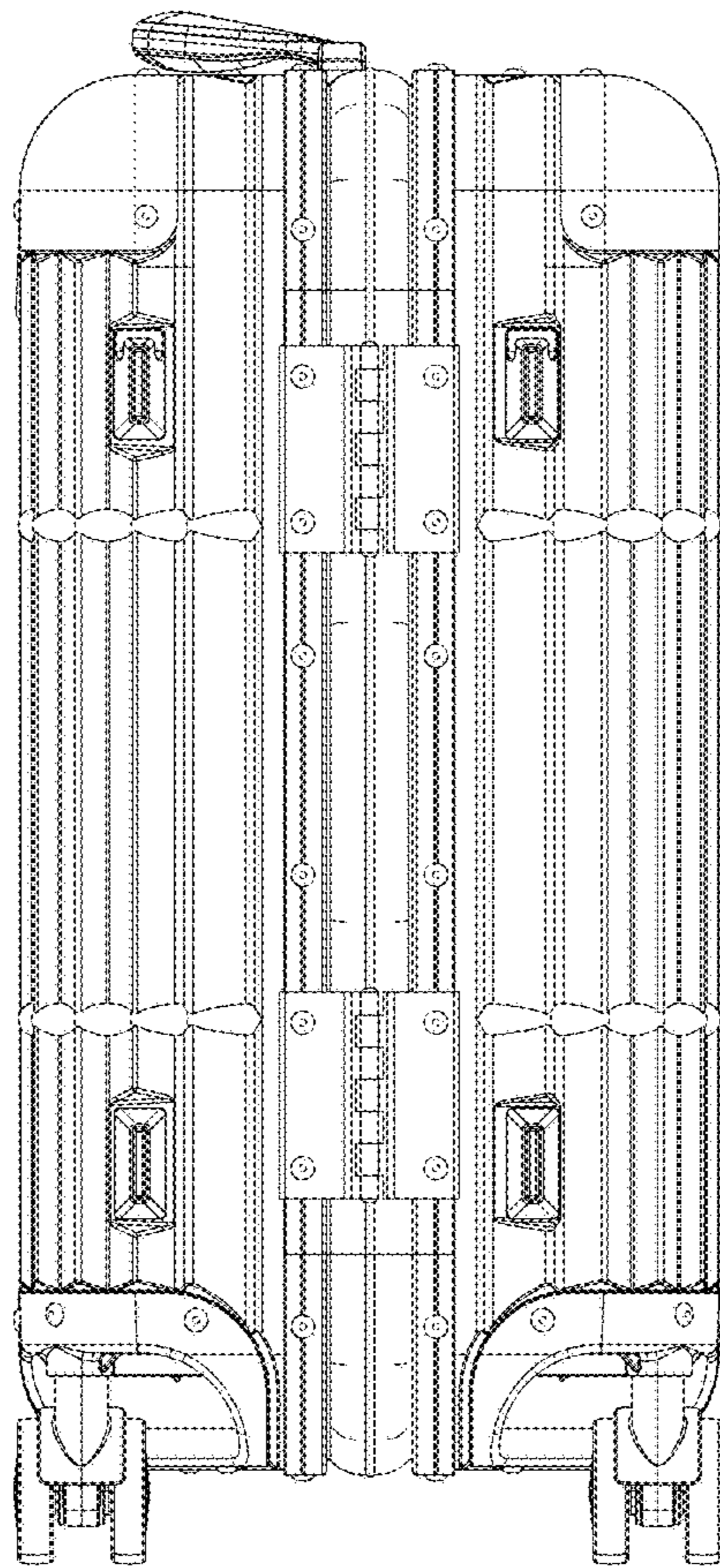


FIG.4

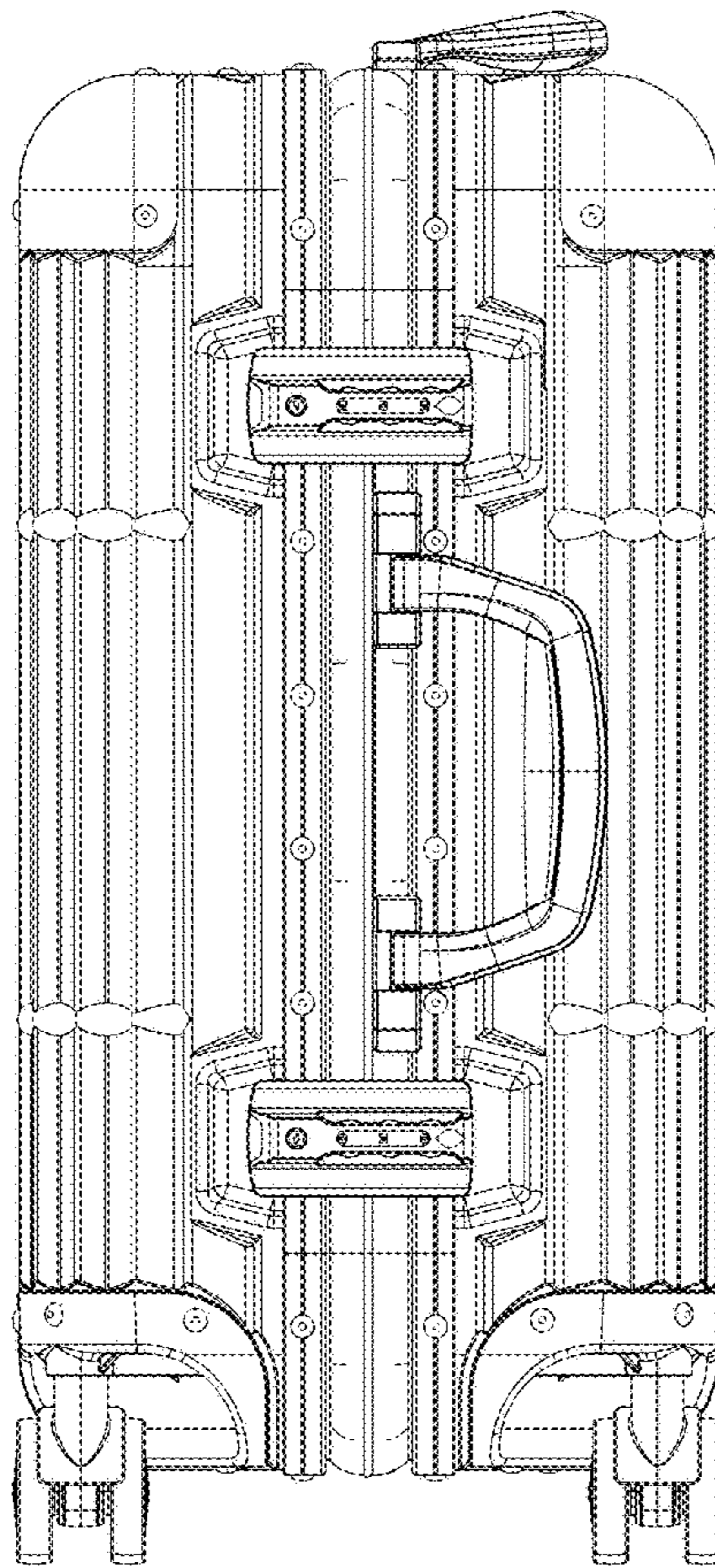


FIG. 5

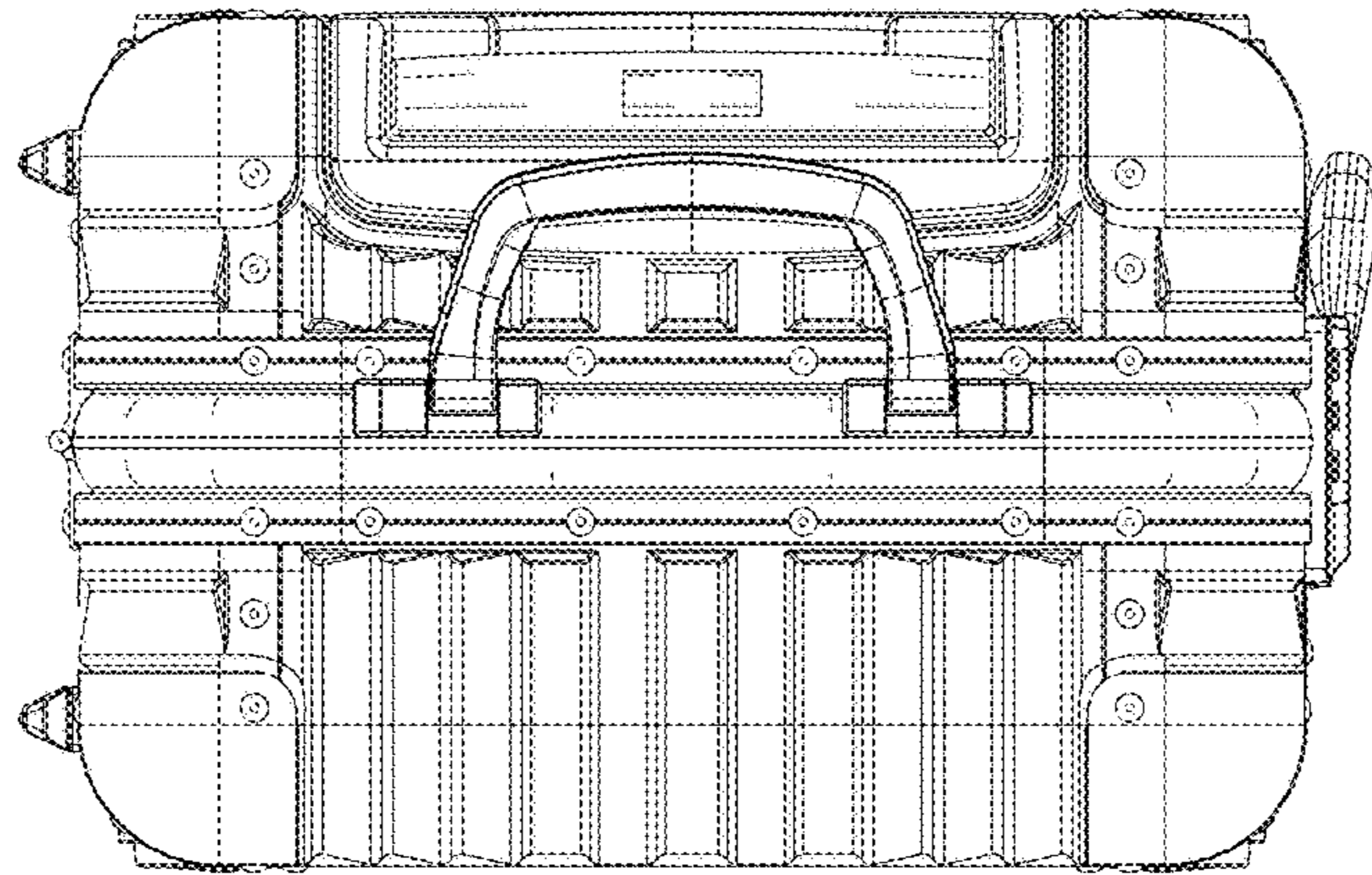


FIG. 6

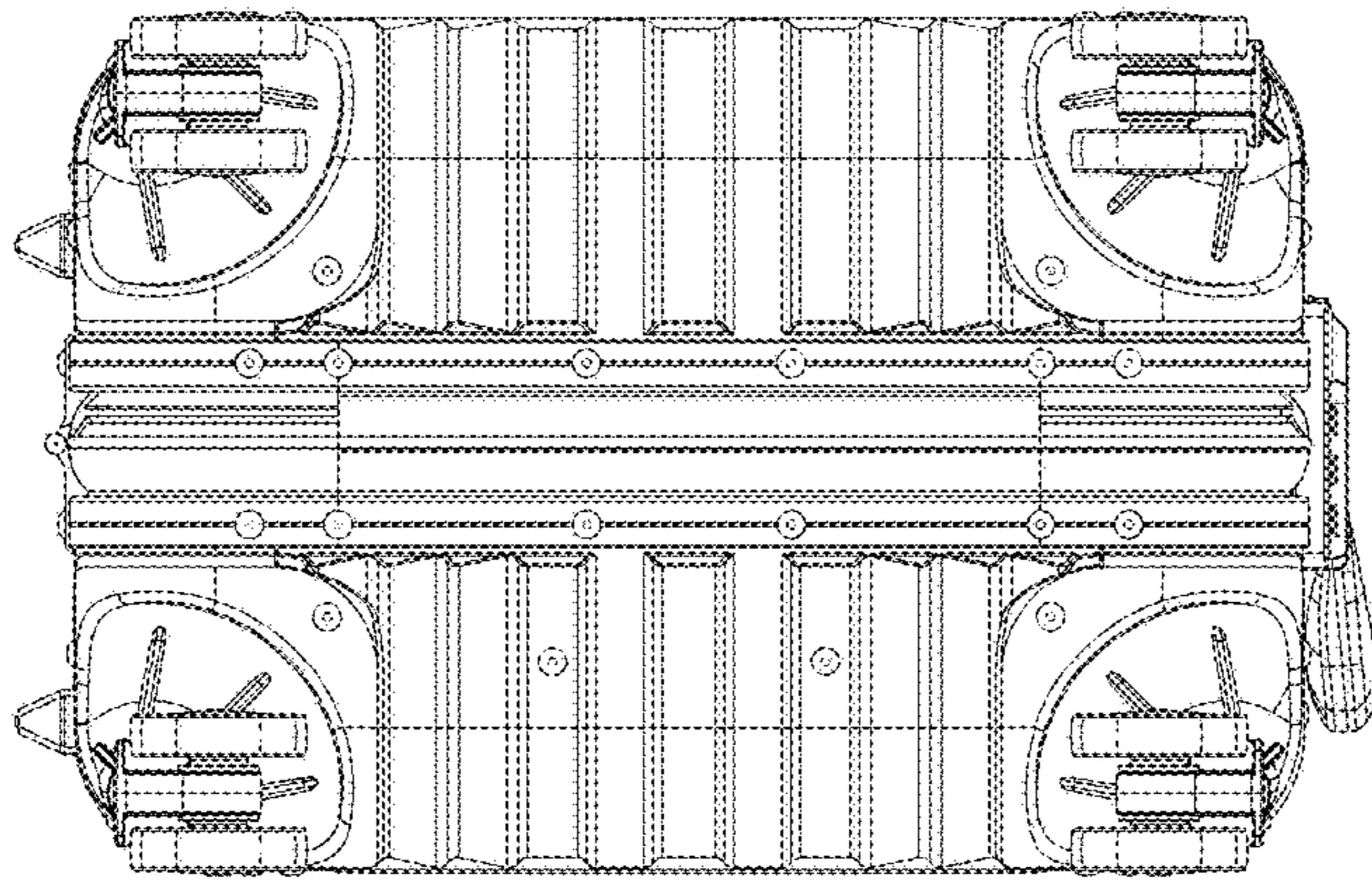
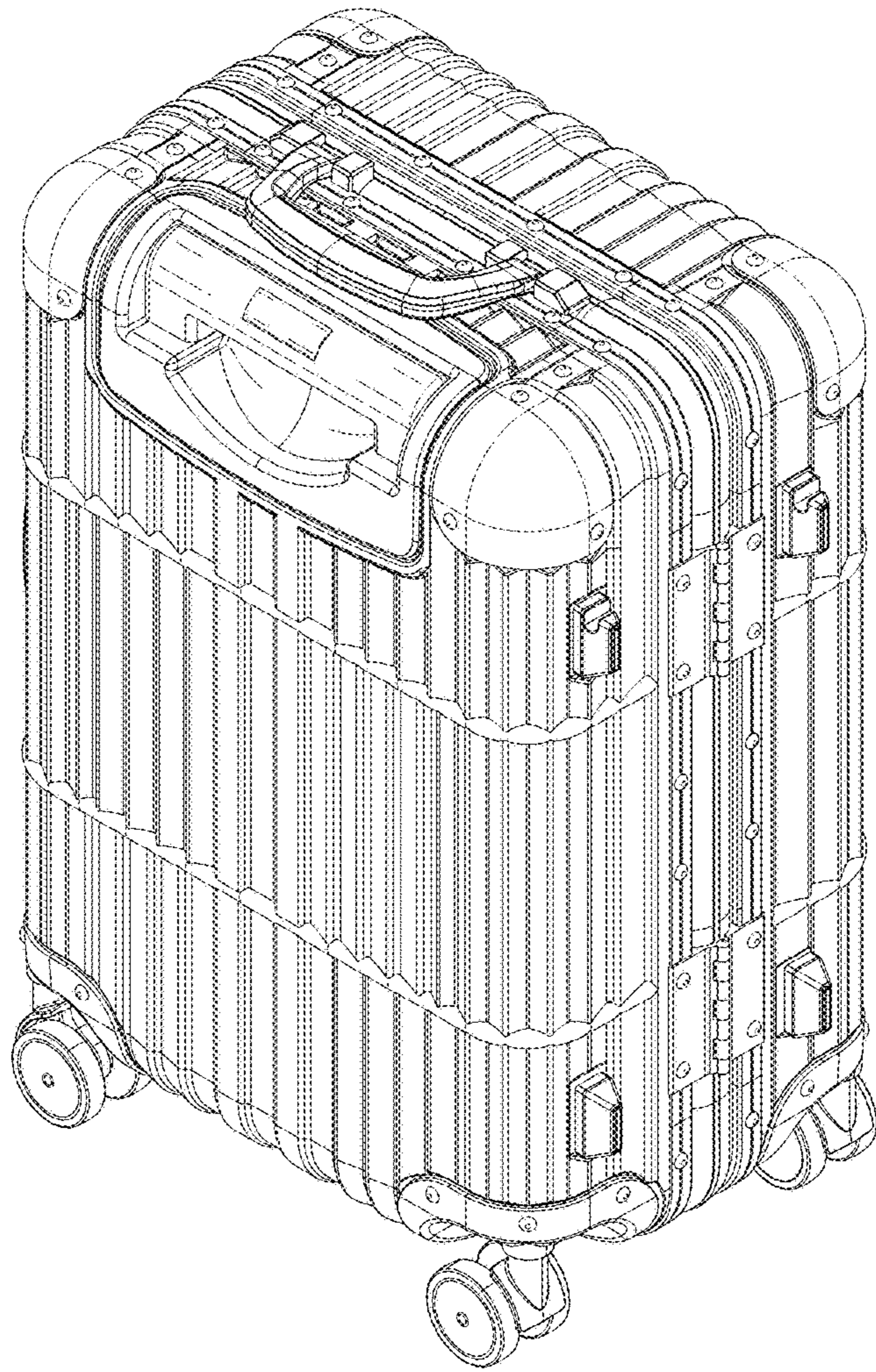


FIG. 7





*FIG. 8*