



US00D852503S

(12) **United States Design Patent**
Sturm

(10) **Patent No.:** **US D852,503 S**

(45) **Date of Patent:** **** Jul. 2, 2019**

(54) **SOFT CASE FOR A LENS OR TELESCOPE**

(71) Applicant: **Think Tank Photo, Inc.**, Santa Rosa, CA (US)

(72) Inventor: **Michael Allen Sturm**, Redding, CA (US)

(73) Assignee: **Think Tank Photo, Inc.**, Santa Rosa, CA (US)

(**) Term: **15 Years**

(21) Appl. No.: **29/629,697**

(22) Filed: **Dec. 14, 2017**

(51) **LOC (11) Cl.** **03-01**

(52) **U.S. Cl.**
USPC **D3/263**

(58) **Field of Classification Search**
USPC D3/207, 215, 219, 229, 263–268, 301;
D12/417; D16/330, 339; 24/3.3, 3.7,
24/3.8, 563; 206/5, 5.1, 6; 248/902;
351/112, 155
CPC A45C 11/04; A47F 7/02; A47F 7/021
See application file for complete search history.

(56) **References Cited**

U.S. PATENT DOCUMENTS

D344,852 S	*	3/1994	McManaman	D3/216
D376,064 S	*	12/1996	Glauth	D3/229
D379,714 S	*	6/1997	Cerny	D3/264
D382,400 S	*	8/1997	Theodosakis	D3/263
D383,361 S	*	9/1997	Melk	D3/215
D390,002 S	*	2/1998	Brizard	D27/189
D397,550 S	*	9/1998	Coughlin	D3/229
D403,155 S	*	12/1998	Liu	D3/289
D403,855 S	*	1/1999	Champommier	D3/229
D415,390 S	*	10/1999	Winnington-Ingram	D3/202
D474,887 S	*	5/2003	Forster	D3/229

D491,357 S	*	6/2004	Hassett	D3/263
D537,711 S	*	3/2007	Limber	D3/301
D539,136 S	*	3/2007	Limber	D3/301
D601,341 S	*	10/2009	Arman	D3/263
D630,843 S	*	1/2011	Thibodeau	D3/229
D822,995 S	*	7/2018	Whitley	B65D 21/0209
					D3/301
2010/0065453 A1	*	3/2010	Murdoch	A45C 7/0068
					206/316.2

* cited by examiner

Primary Examiner — T Chase Nelson

(74) *Attorney, Agent, or Firm* — R. Dabney Eastham

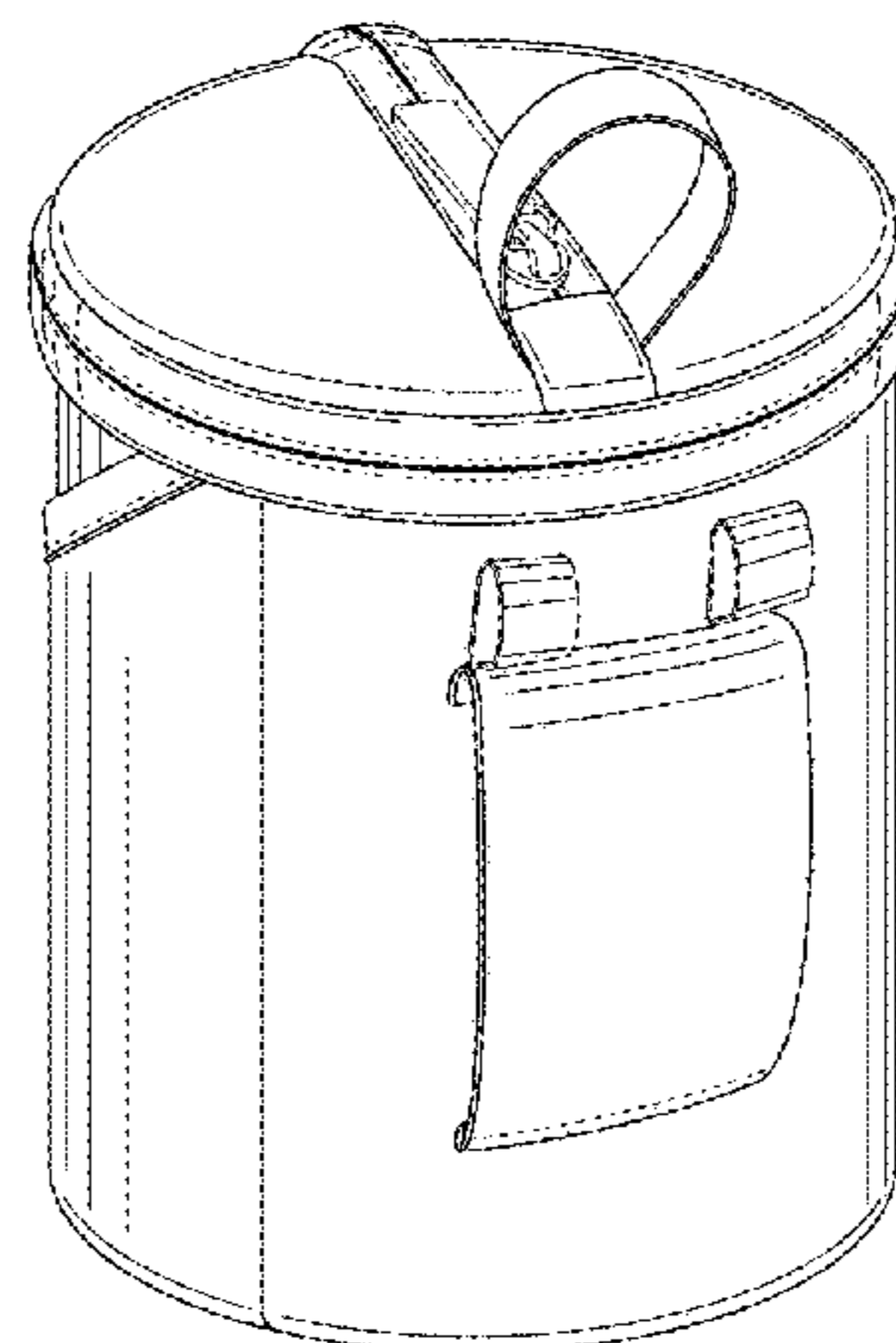
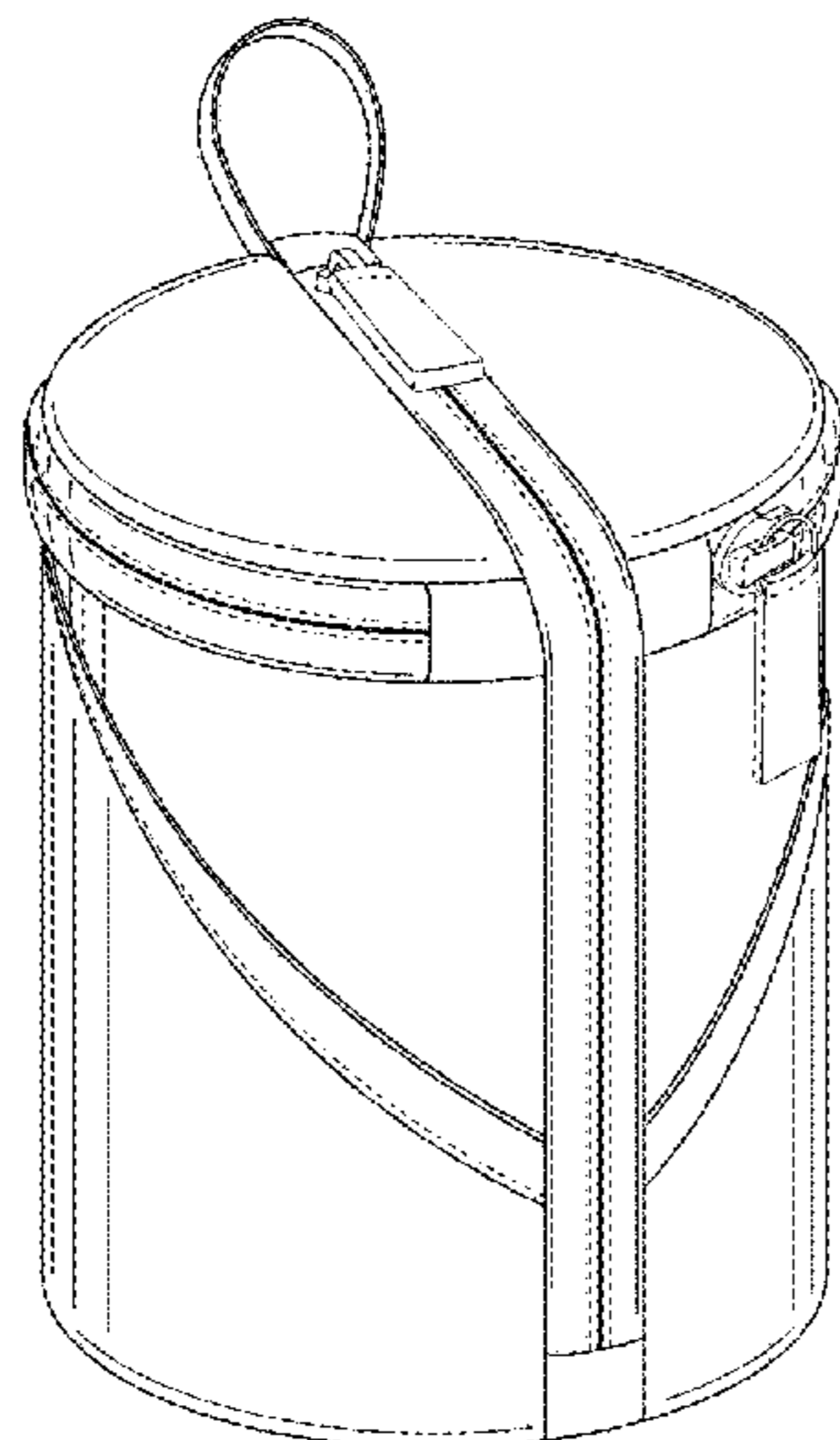
(57) **CLAIM**

I claim the ornamental design for a soft case for a lens or telescope, as shown and described.

DESCRIPTION

FIG. 1 is a left side perspective view of a soft case for a lens or telescope according to the present invention;
 FIG. 2 is a right side perspective view of the soft case for a lens or telescope of FIG. 1;
 FIG. 3 is a front side view of the soft case for a lens or telescope of FIG. 1;
 FIG. 4 is a back side view of the soft case for a lens or telescope of FIG. 1;
 FIG. 5 is a left side view of the soft case for a lens or telescope of FIG. 1;
 FIG. 6 is a right side view of the soft case for a lens or telescope of FIG. 1;
 FIG. 7 is a top side view of the soft case for a lens or telescope of FIG. 1; and,
 FIG. 8 is a bottom side view of the soft case for a lens or telescope of FIG. 1.
 The broken lines in the drawing views depict stitching, which forms no part of the claimed design.

1 Claim, 4 Drawing Sheets



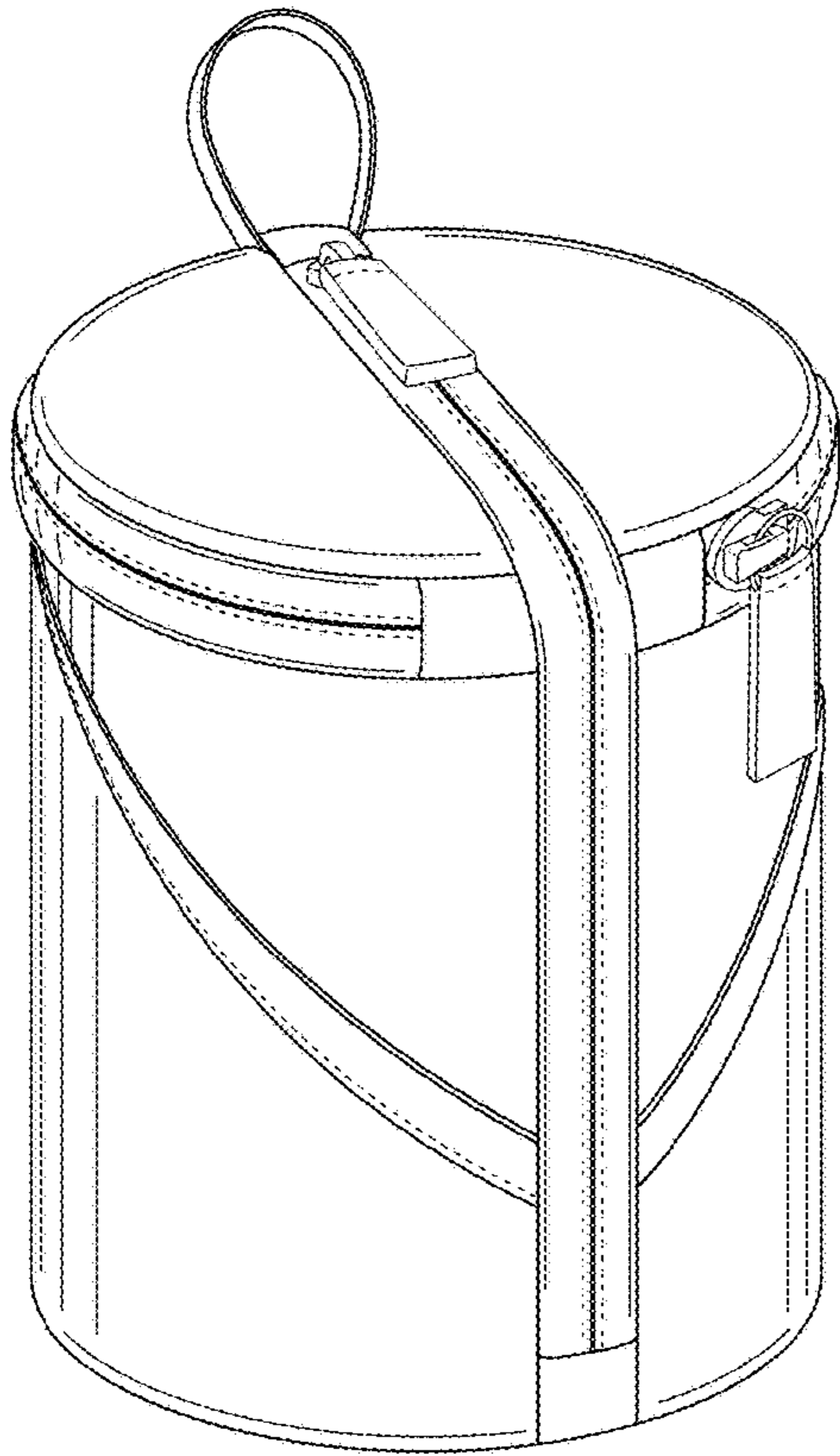


FIG. 1

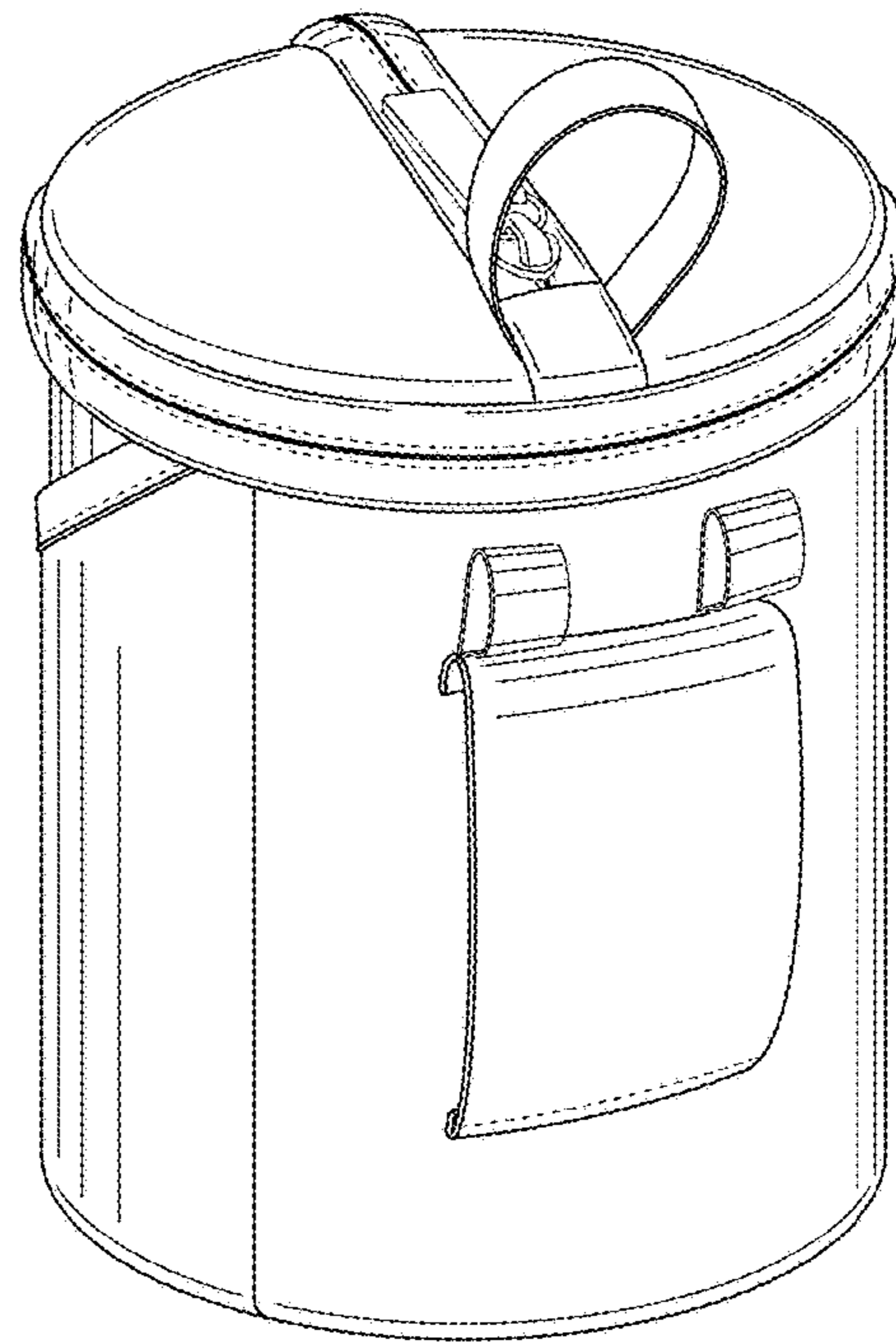


FIG. 2

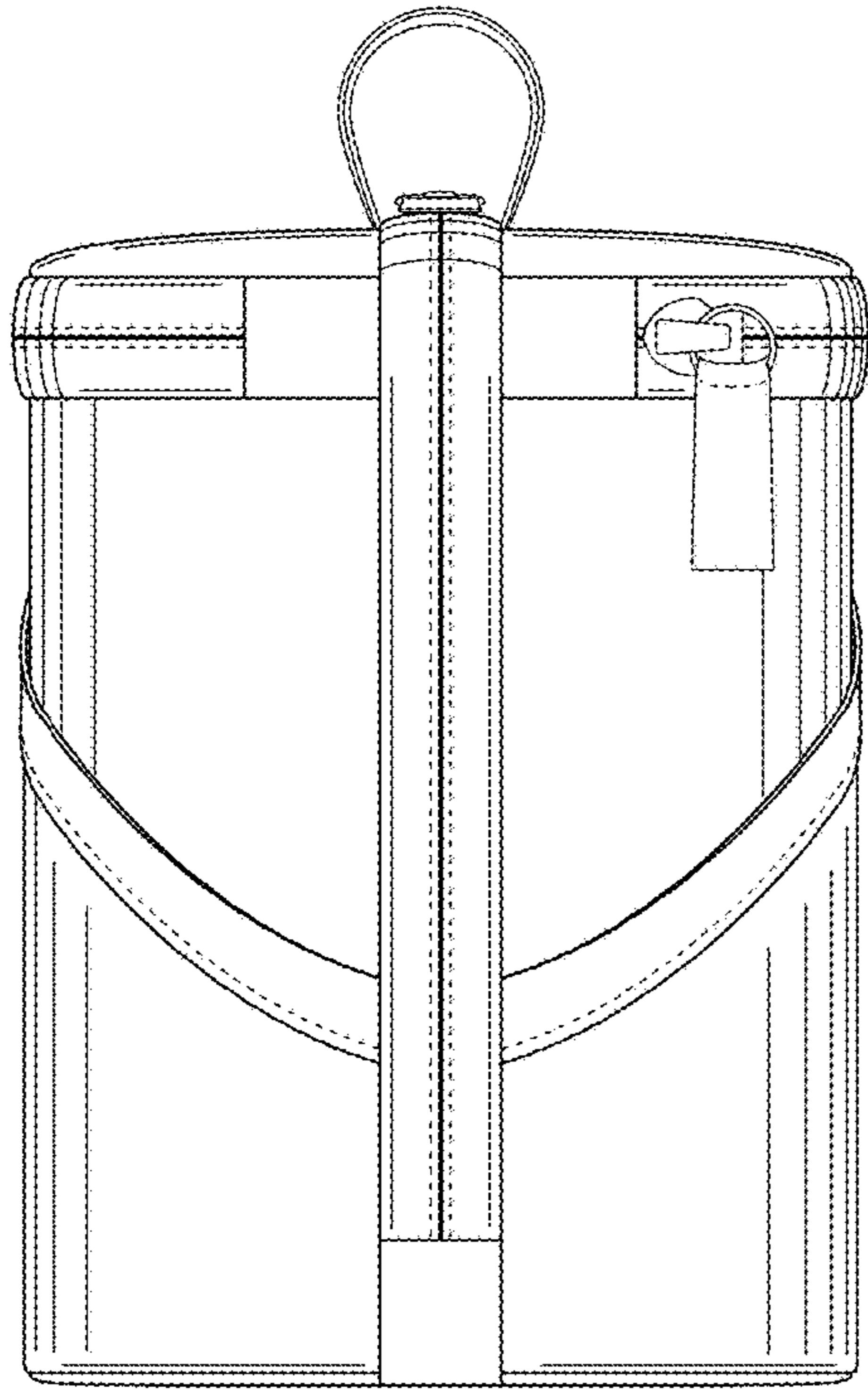


FIG. 3

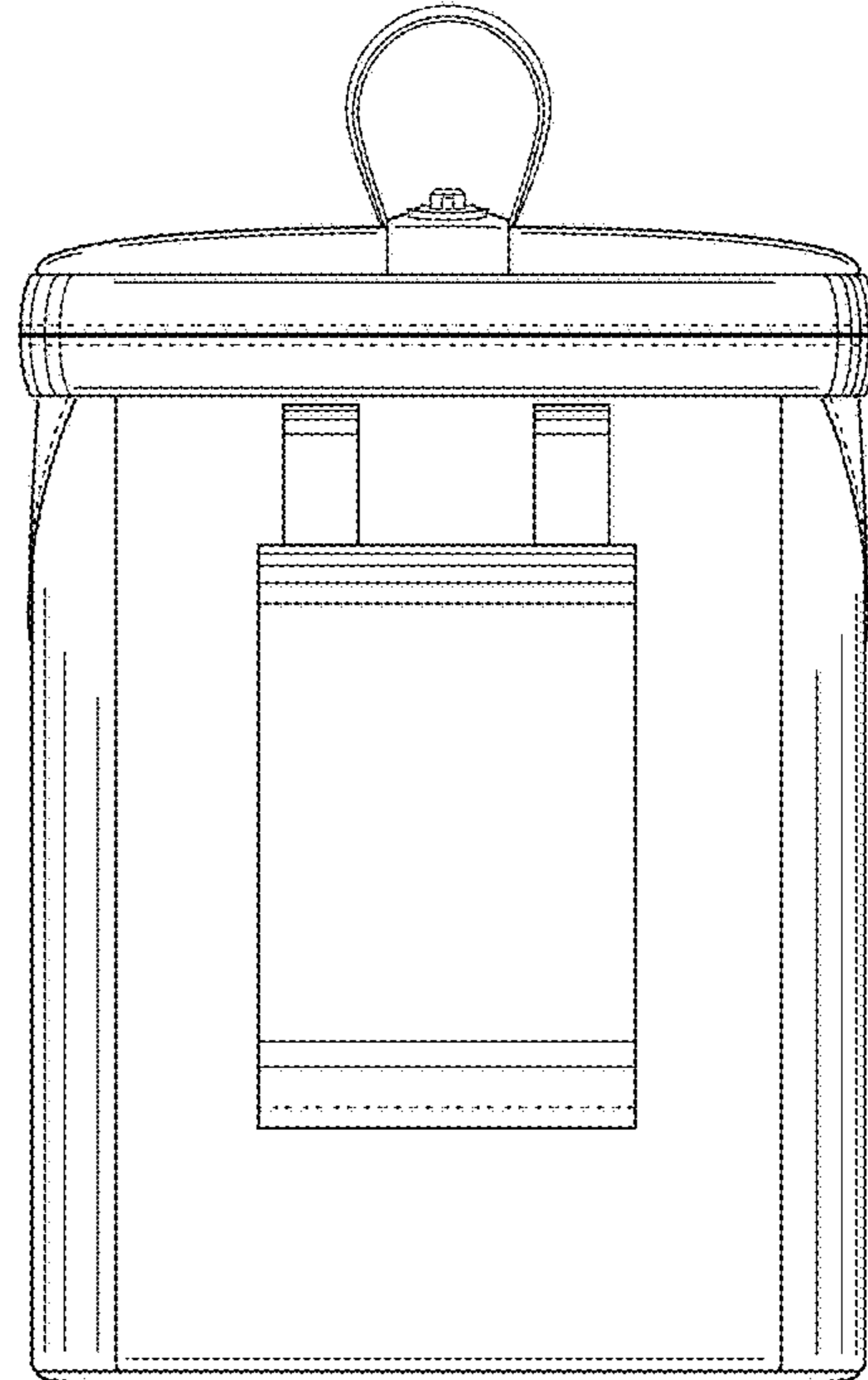


FIG. 4

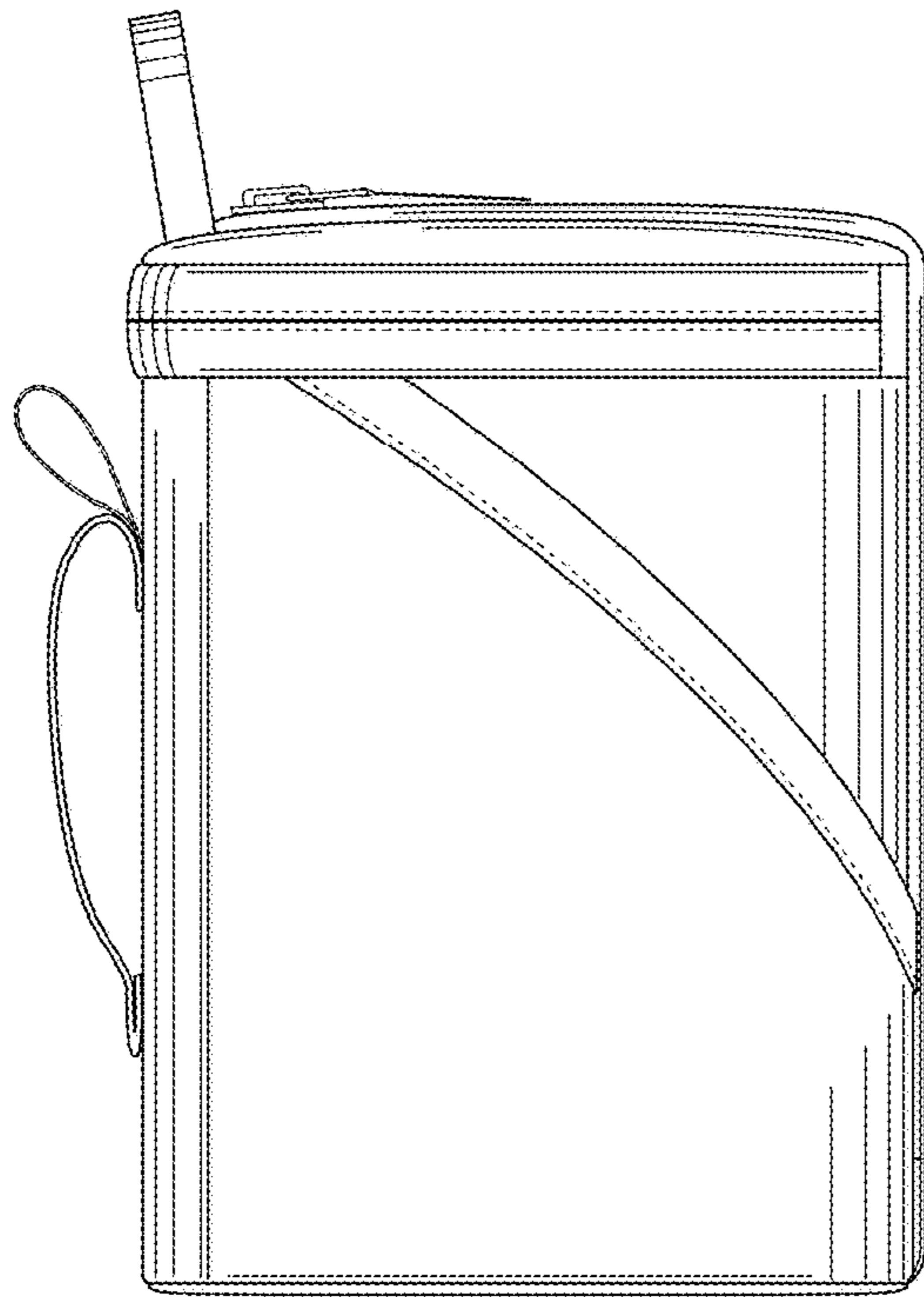


FIG. 5

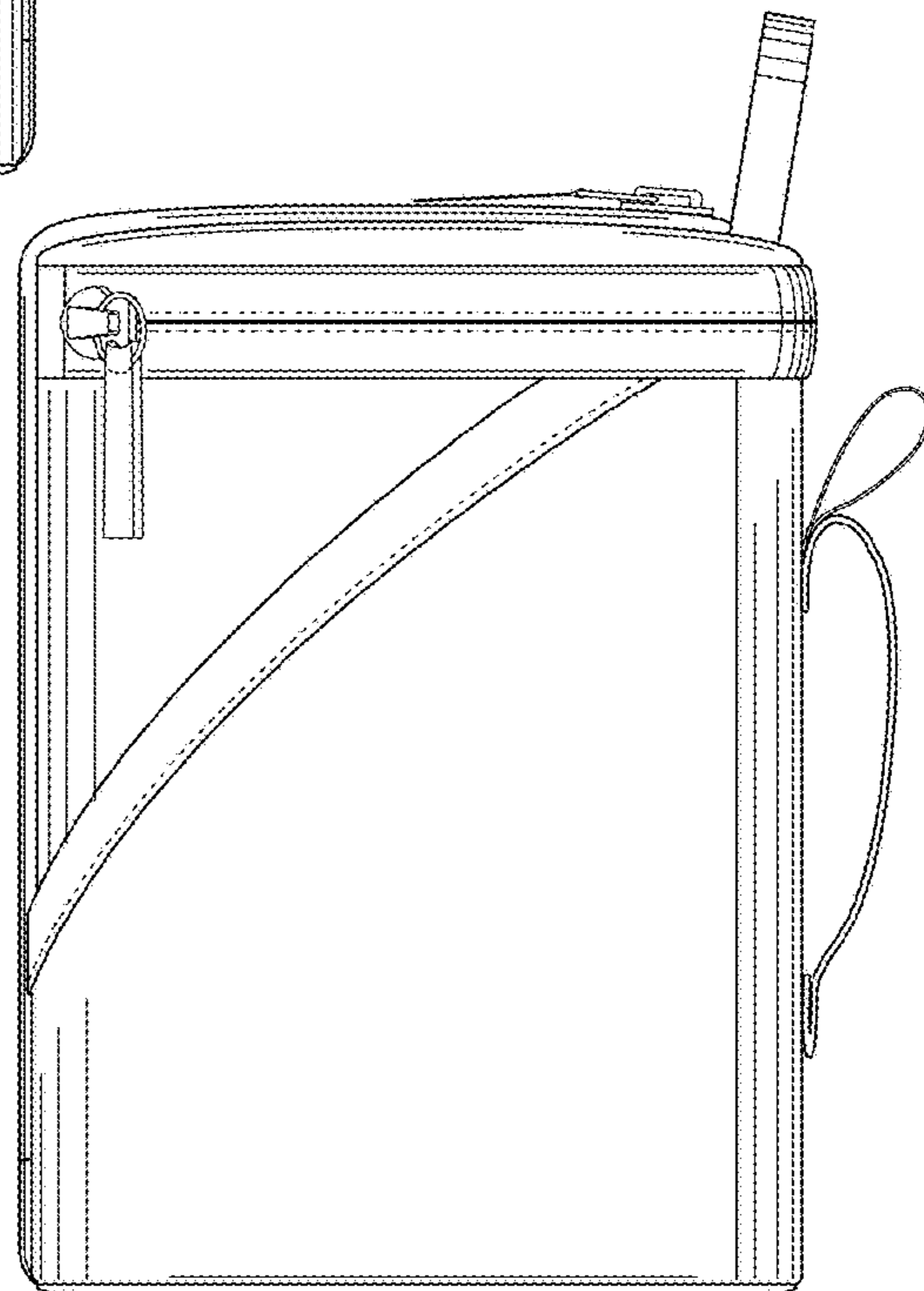


FIG. 6

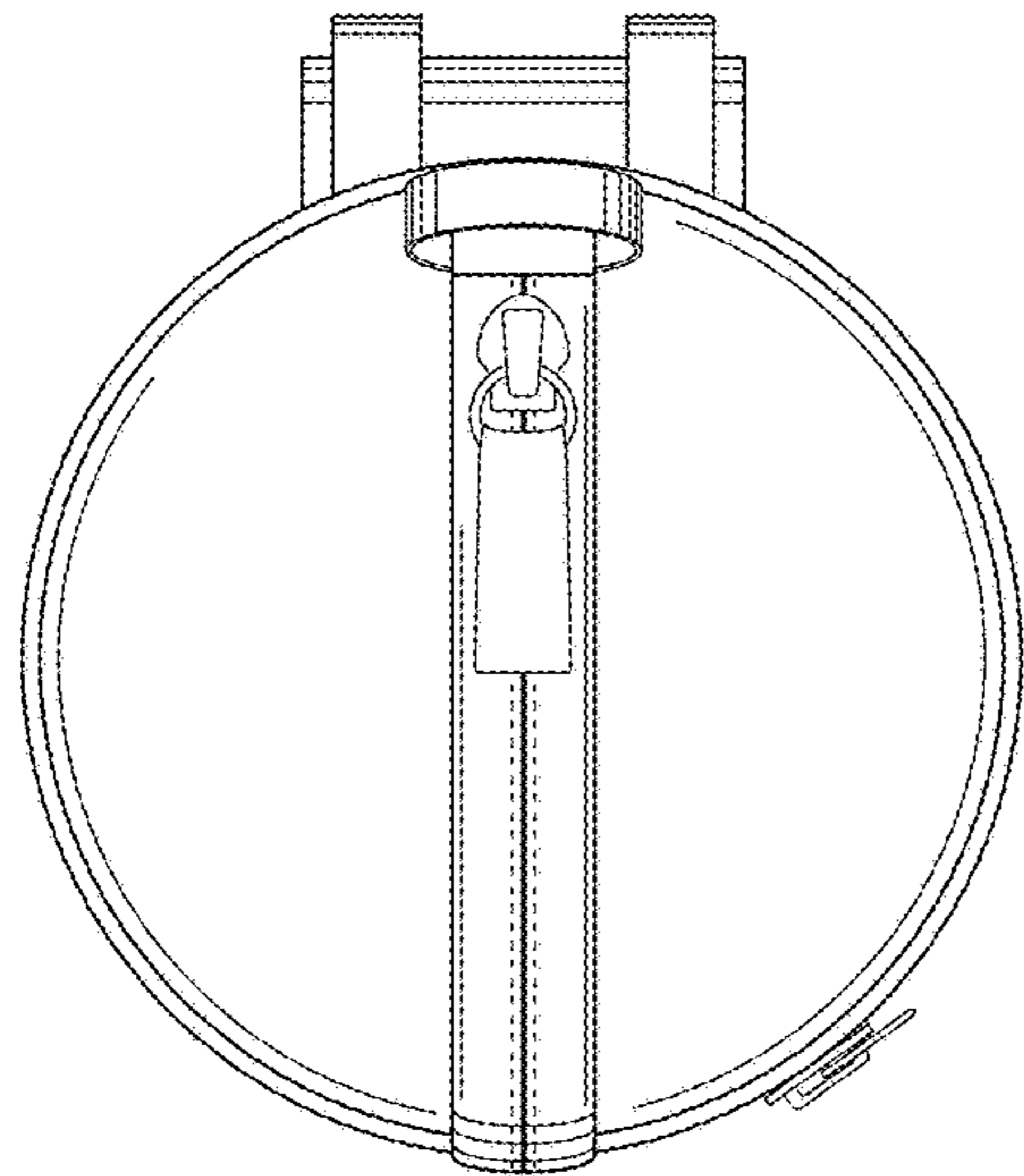


FIG. 7

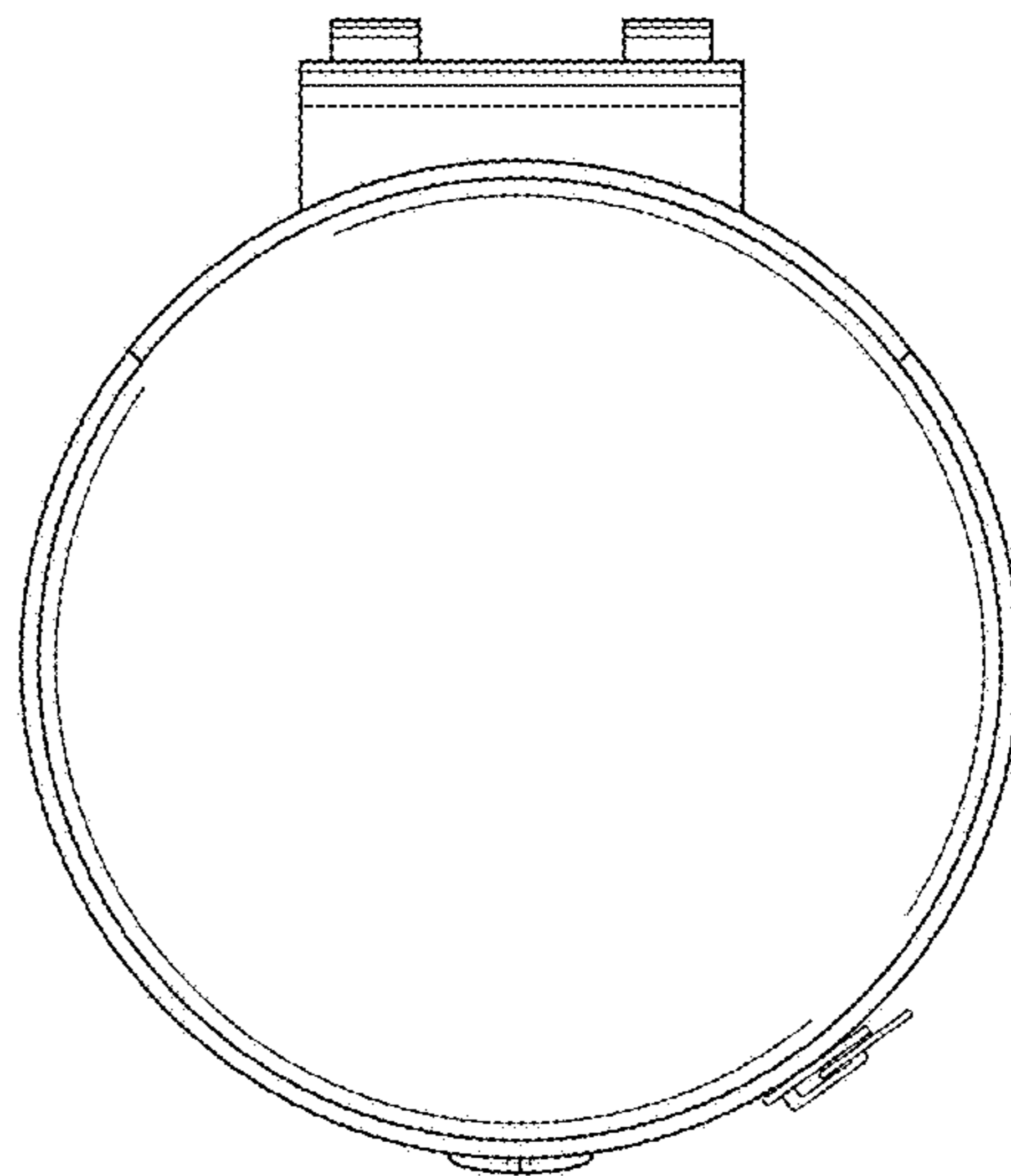


FIG. 8