



US00D852500S

(12) **United States Design Patent** (10) **Patent No.:** **US D852,500 S**  
**Ford et al.** (45) **Date of Patent:** **\*\* Jul. 2, 2019**

(54) **PORTABLE SNOW SPORTS EQUIPMENT LOCKER** 3,921,871 A 11/1975 Heil  
4,084,735 A 4/1978 Kappas  
4,126,254 A \* 11/1978 Sahakian ..... A63C 11/028  
206/315.1

(71) Applicant: **Brandon J. Ford**, Edwards, CO (US) 4,161,268 A 7/1979 Heil  
4,217,999 A 8/1980 Forsman

(72) Inventors: **Brandon J. Ford**, Edwards, CO (US);  
**Joseph L. Kapushion**, Edwards, CO  
(US); **Keith Poulson**, Edwards, CO  
(US) 4,238,063 A 12/1980 O'Dair  
4,358,137 A \* 11/1982 Gramm ..... A63C 11/026  
206/315.1

(73) Assignee: **Brandon J. Ford**, Edwards, CO (US) D267,443 S \* 1/1983 Salas ..... D3/261  
D270,495 S \* 9/1983 Owings ..... D3/261  
D293,626 S 1/1988 Beran  
4,842,289 A 6/1989 Samuels  
D302,902 S 8/1989 Kaufman

(\*\*) Term: **15 Years** D305,831 S \* 2/1990 Vanderhorst ..... D3/261  
4,905,827 A \* 3/1990 Kim ..... A63B 55/00  
206/315.3

(21) Appl. No.: **29/629,107** 4,953,773 A 9/1990 Wirth  
(Continued)

(22) Filed: **Dec. 11, 2017**

**Related U.S. Application Data**

(62) Division of application No. 29/558,546, filed on Mar. 18, 2016, now Pat. No. Des. 805,148.

(51) **LOC (11) Cl.** ..... **03-01**

(52) **U.S. Cl.**  
USPC ..... **D3/254**

(58) **Field of Classification Search**  
USPC ..... D3/254, 261, 201, 204, 269, 272, 273,  
D3/276, 279, 315  
CPC ..... A63C 11/02-11/026  
See application file for complete search history.

**References Cited**

**U.S. PATENT DOCUMENTS**

910,108 A 1/1909 Alston  
2,224,568 A 12/1940 Altorfer  
2,234,487 A 3/1941 Davis  
3,330,573 A 7/1967 Sieloff  
D222,848 S \* 1/1972 Van Ausdall ..... D3/261  
D230,378 S \* 2/1974 Eisenberg ..... D3/261  
3,837,548 A 9/1974 Nerger  
3,917,137 A 11/1975 Wilkins

*Primary Examiner* — Mitchell I. Siegel

(74) *Attorney, Agent, or Firm* — Polson Intellectual Property Law P.C.; Christopher Sylvain; Margaret Polson

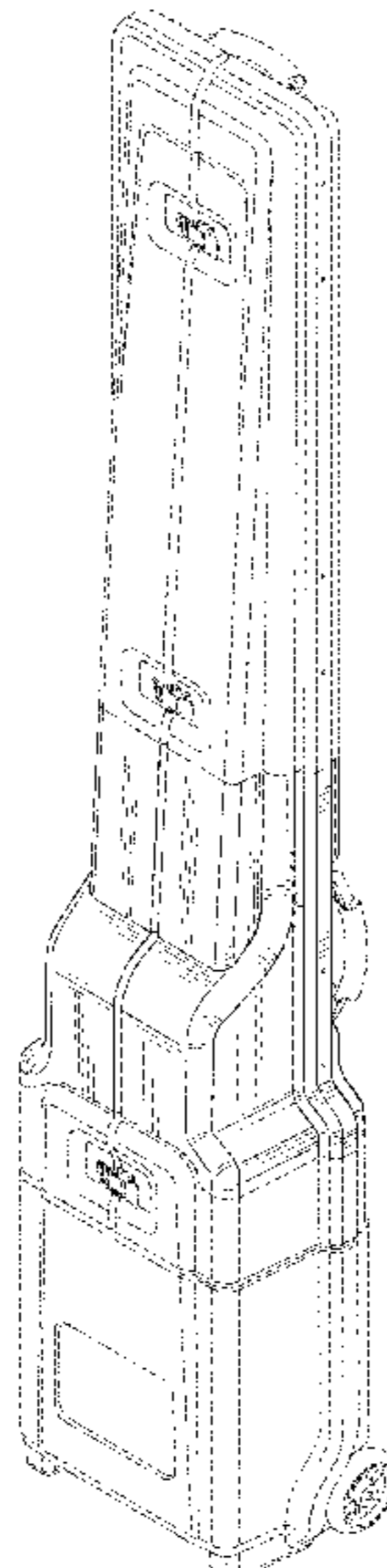
(57) **CLAIM**

The ornamental design for a portable snow sports equipment locker, as shown and described.

**DESCRIPTION**

FIG. 1 is a front perspective view of our new design for a portable snow sports equipment locker.  
FIG. 2 is a back perspective view of FIG. 1.  
FIG. 3 is a front side elevation view of FIG. 1.  
FIG. 4 is a back side elevation view of FIG. 1.  
FIG. 5 is a side elevation view of the right and left sides, which are mirror images, of FIG. 1.  
FIG. 6 is a top plan view of FIG. 1; and,  
FIG. 7 is a bottom plan view of FIG. 1.  
The features shown in broken lines in the drawing depict environmental subject matter only and form no part of the claimed design.

**1 Claim, 4 Drawing Sheets**



# US D852,500 S

Page 2

(56)

## References Cited

### U.S. PATENT DOCUMENTS

4,955,519 A	9/1990	Forrester	
D311,814 S *	11/1990	Steiner .....	190/24
D312,726 S	12/1990	Kline	
5,002,185 A	3/1991	Schurman	
5,005,743 A	4/1991	Ramsay	
5,012,921 A	5/1991	Becker	
5,096,104 A	3/1992	Wirth	
5,160,075 A	11/1992	Moscovitch	
D332,695 S *	1/1993	Moscovitch .....	D3/261
5,207,723 A	5/1993	Newby, Sr.	
5,215,318 A	6/1993	Capraro	
5,285,942 A	2/1994	Wills	
5,415,333 A *	5/1995	Wills .....	A63C 11/026 224/309
D362,115 S *	9/1995	Moneta .....	D3/261
D362,545 S *	9/1995	Vincent .....	D3/261
D367,168 S *	2/1996	Vincent .....	D3/261
D367,169 S *	2/1996	Vincent .....	D3/261
5,509,589 A	4/1996	Kliot	
5,538,137 A	7/1996	Deioma et al.	
5,582,290 A	12/1996	McCuaig et al.	
D379,870 S *	6/1997	Moneta .....	D3/261
D392,801 S *	3/1998	Hields .....	D3/261
5,758,770 A *	6/1998	Moneta .....	A63C 11/026 206/315.1
5,799,848 A	9/1998	Wills	
5,799,915 A	9/1998	Morey	
6,164,425 A *	12/2000	Latshaw .....	A45C 5/14 190/108
6,311,883 B1	11/2001	Greenberg	
6,330,944 B1	12/2001	DeMichele	
6,729,489 B2	5/2004	Sanderson	
7,222,733 B2 *	5/2007	Kim .....	A63B 55/00 206/315.3
7,575,138 B2	8/2009	Lindberg	
8,141,905 B2 *	3/2012	Ball .....	A63C 11/026 280/47.131
8,381,930 B2 *	2/2013	Boyles .....	A01K 97/08 206/315.3
D714,547 S *	10/2014	Enes .....	D3/261
D718,527 S *	12/2014	Enes .....	D3/261
D721,488 S *	1/2015	Lewis .....	D3/261
D725,453 S	3/2015	Lodato et al.	
D805,148 S *	12/2017	Ford et al. ....	D3/254
2002/0060194 A1	5/2002	Reiser et al.	
2010/0038198 A1	2/2010	Jarvis	
2011/0180575 A1	7/2011	Abramowitz et al.	
2014/0291976 A1	10/2014	Ford et al.	
2015/0210221 A1	6/2015	Ritsche	

\* cited by examiner

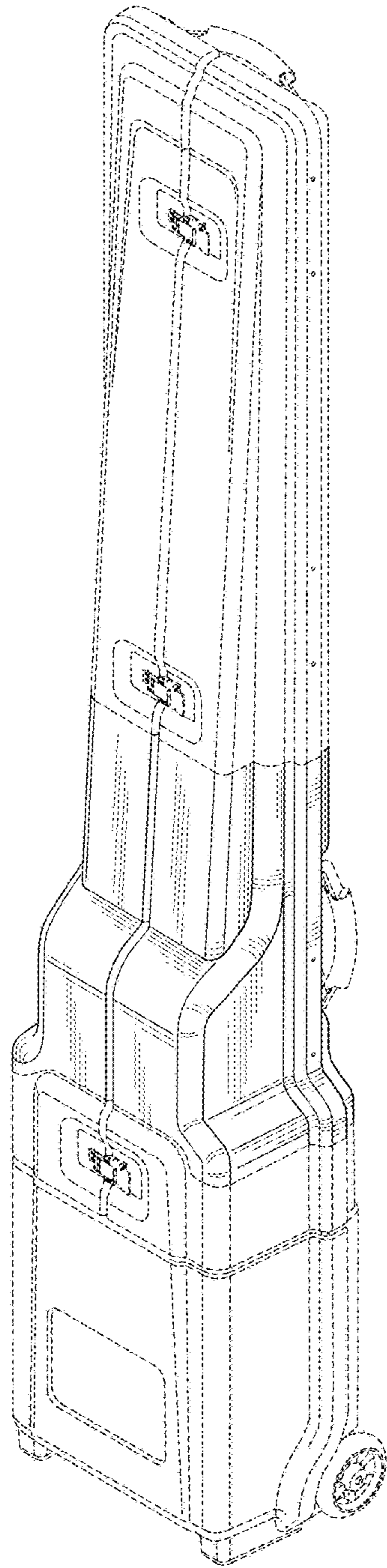


FIG. 1

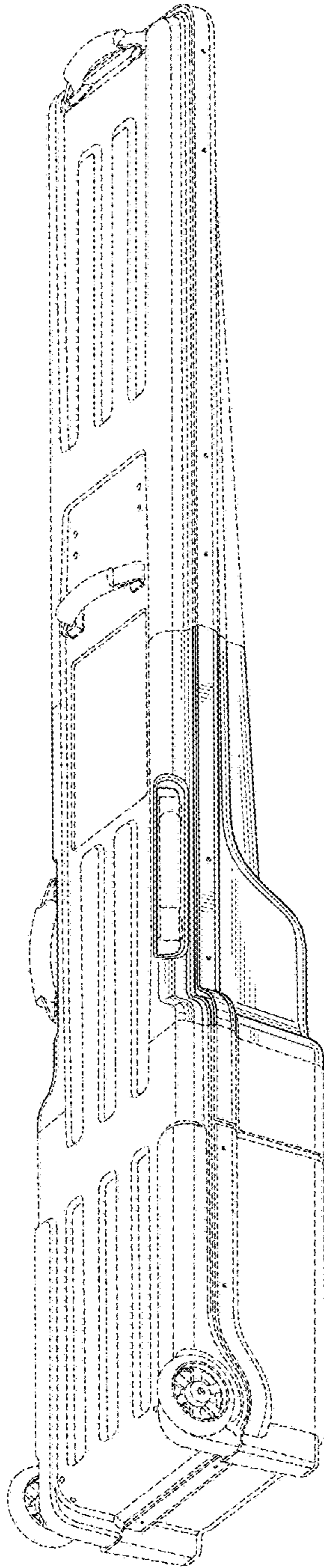


FIG. 2

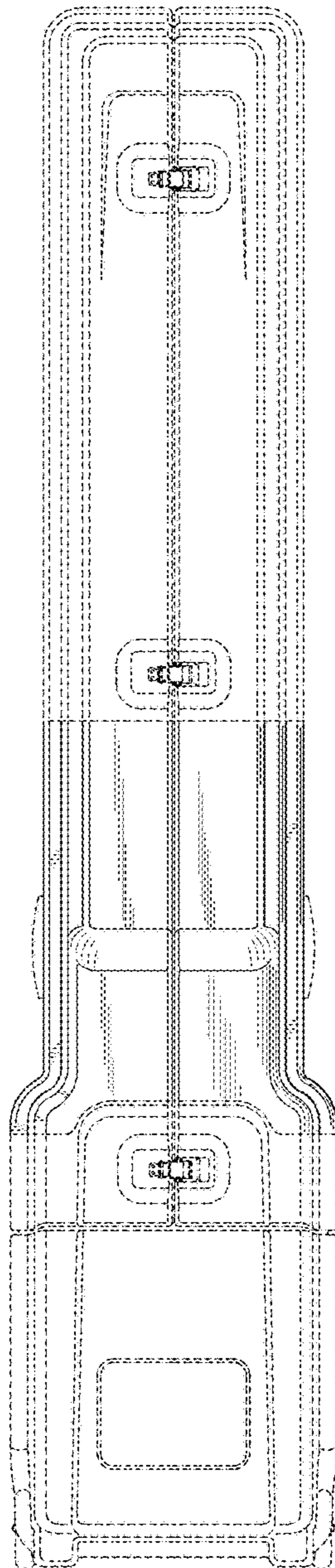


FIG. 3

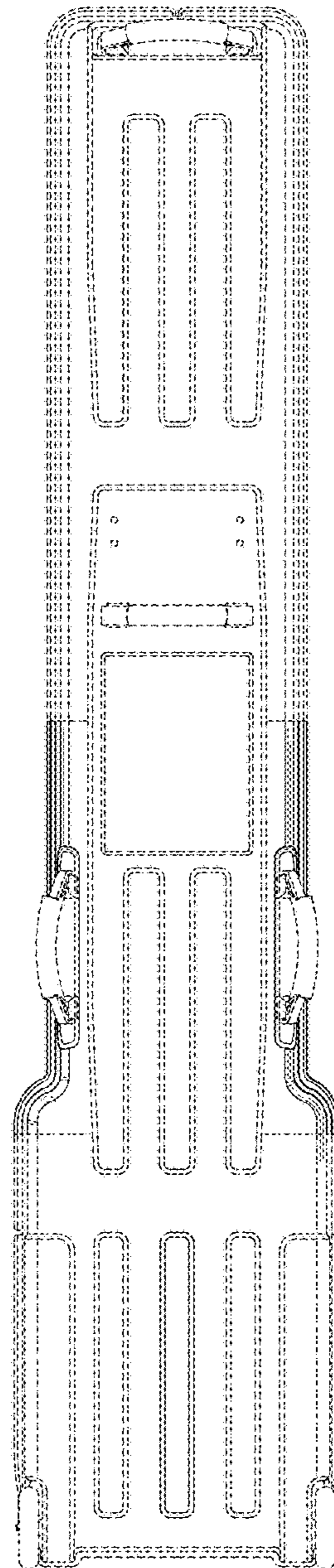


FIG. 4

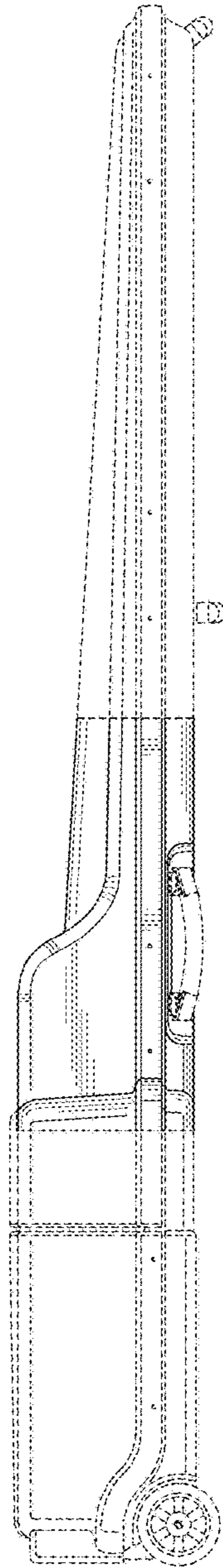


FIG. 5

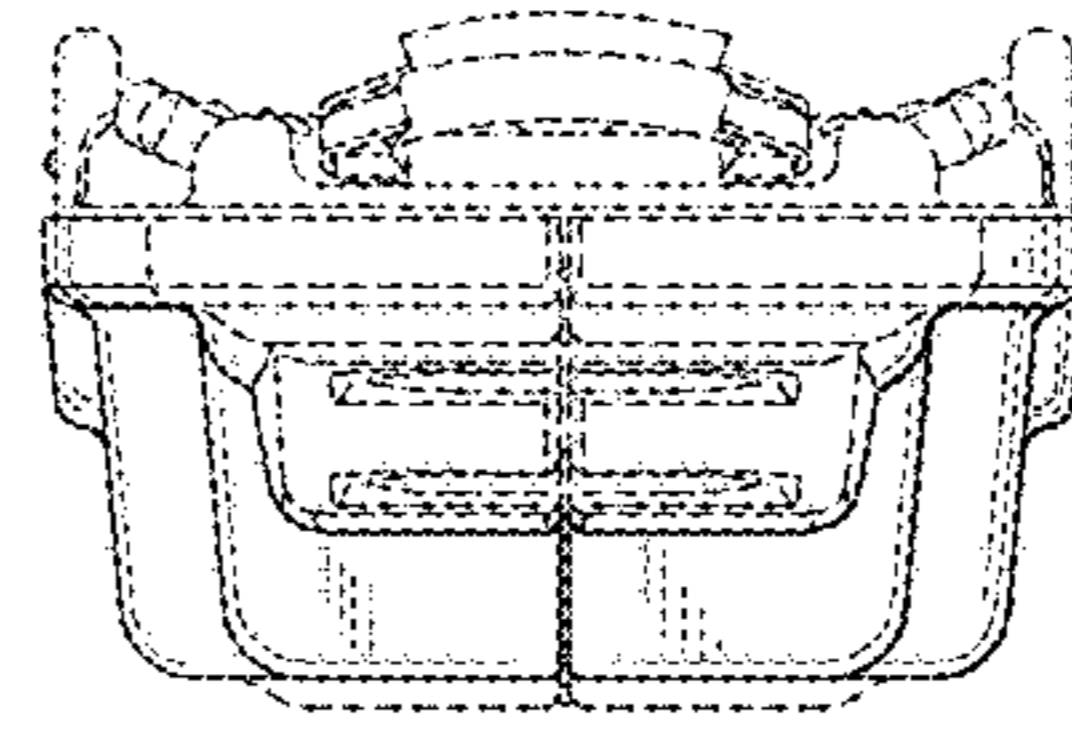


FIG. 6

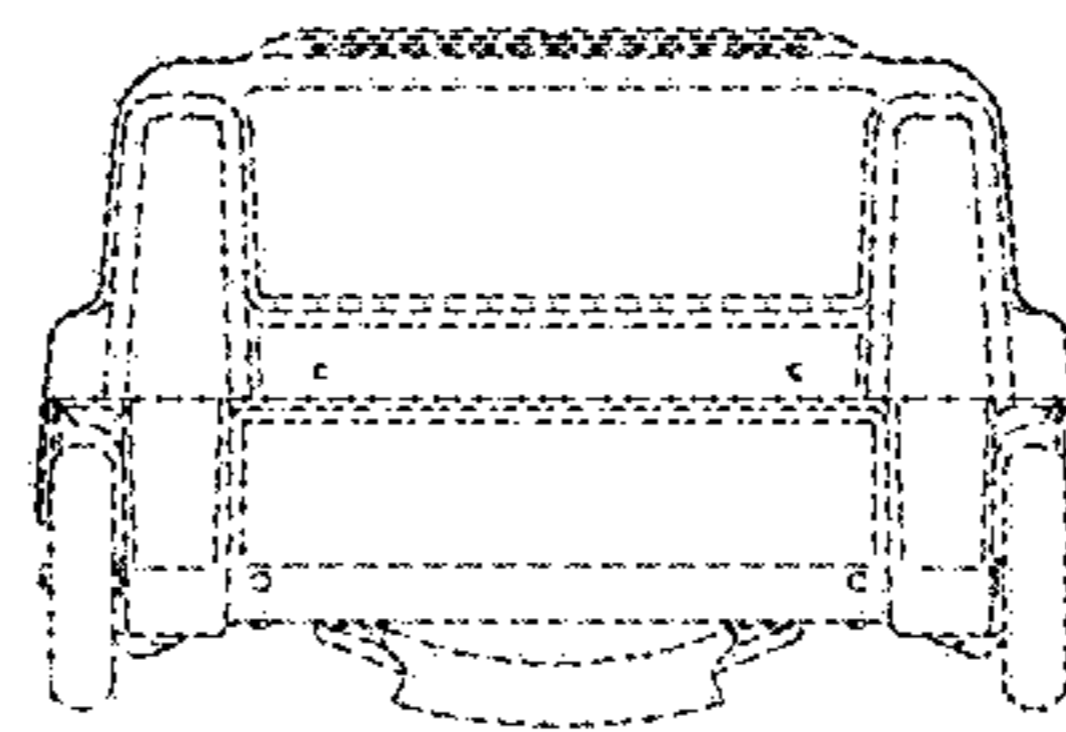


FIG. 7