



US00D852499S

(12) **United States Design Patent** (10) **Patent No.:** **US D852,499 S**
Lee (45) **Date of Patent:** **** Jul. 2, 2019**

(54) **ARROWHEAD CASE**
(71) Applicant: **Young Ki Lee**, Busan (KR)
(72) Inventor: **Young Ki Lee**, Busan (KR)
(**) Term: **15 Years**
(21) Appl. No.: **29/582,757**
(22) Filed: **Oct. 31, 2016**
(51) **LOC (11) Cl.** **03-01**
(52) **U.S. Cl.**
USPC **D3/254**; D3/262; D3/294
(58) **Field of Classification Search**
USPC D9/749, 735, 414, 418, 422, 432, 427,
D9/420, 423, 430, 424, 732, 629, 429,
D9/756, 759; D3/203.1–203.6, 272, 318,
D3/273, 275, 279, 423, 294, 903, 205,
D3/315, 281, 901, 262, 254; D6/632;
D19/76; D24/216, 217, 224–232, 131;
206/354–360, 477, 478, 480, 486, 488,
206/352, 83, 528, 438, 63.5, 815, 508;
220/675, 351, 793, 839, 258.3, 263, 260,
220/835; 221/229
CPC A45C 11/34; A45D 27/225; A45D 33/006;
A45D 40/22; B60R 9/055; H02G 3/081;
E04H 17/16; A01G 17/06
See application file for complete search history.

D284,204 S * 6/1986 Kirchner D19/76
D291,558 S * 8/1987 Fonville D3/272
D292,175 S * 10/1987 Wolf D3/295
4,906,057 A * 3/1990 Davi A45C 5/00
206/425
D324,952 S * 3/1992 Berland D3/203.1
D338,331 S * 8/1993 Kin-Man Tse D19/76
D352,859 S * 11/1994 Kirchner D19/76
D371,203 S * 6/1996 Deeds D24/217
D373,221 S * 8/1996 Lai D28/83
D389,639 S * 1/1998 Priebe D3/203.8
(Continued)

OTHER PUBLICATIONS

Plano Broadhead Box, available Aug. 30, 2012, [online], [site visited Aug. 30, 2018]. Available from internet, <URL: <https://www.basspro.com/shop/en/plano-broadhead-box> (Year: 2012).*

Primary Examiner — Cathron C Brooks
Assistant Examiner — W. A. Teddy Falloway
(74) *Attorney, Agent, or Firm* — Kile Park Reed & Houtteman PLLC

(57) **CLAIM**

I claim, the ornamental design for an arrowhead case, as shown and described.

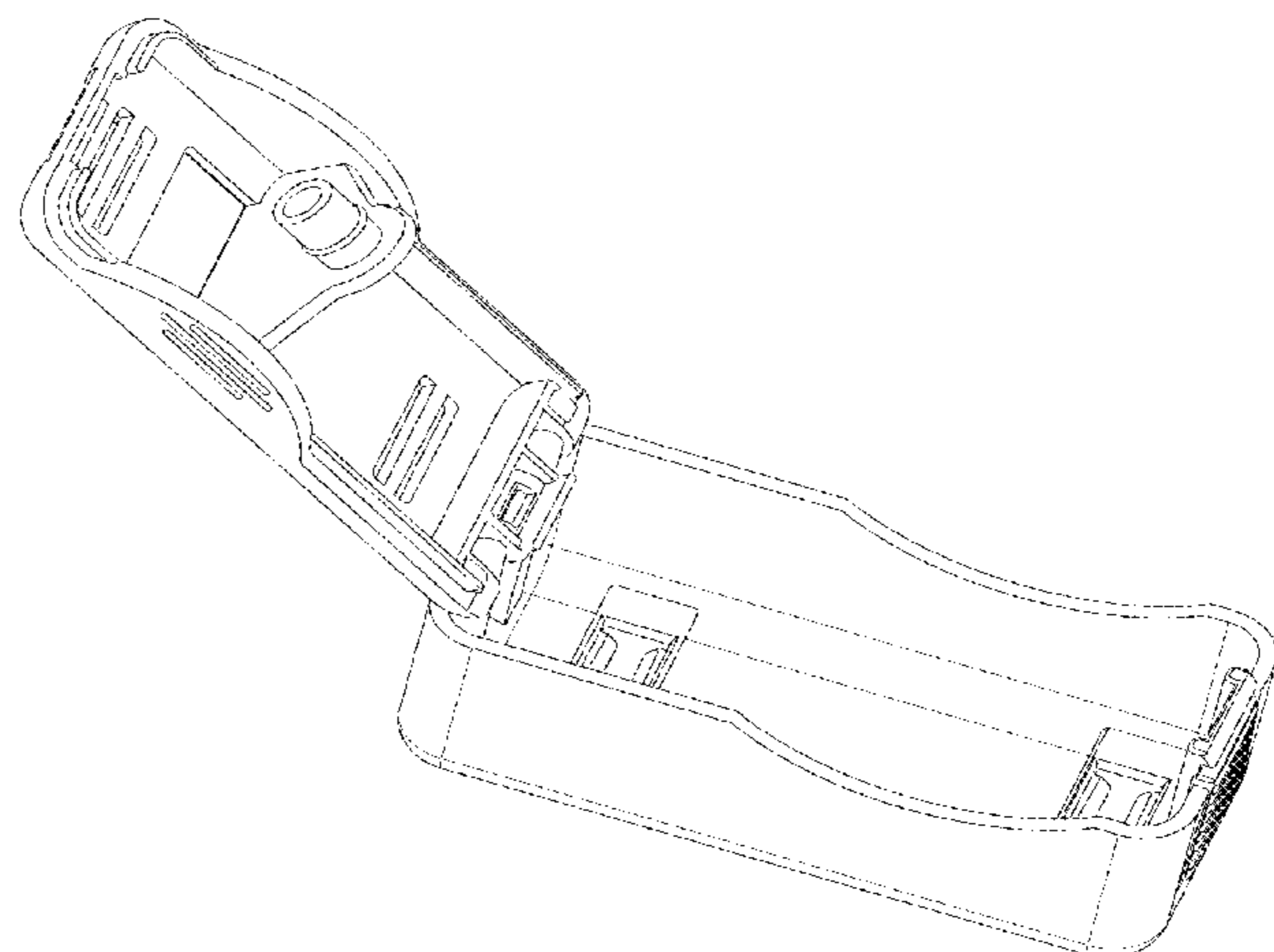
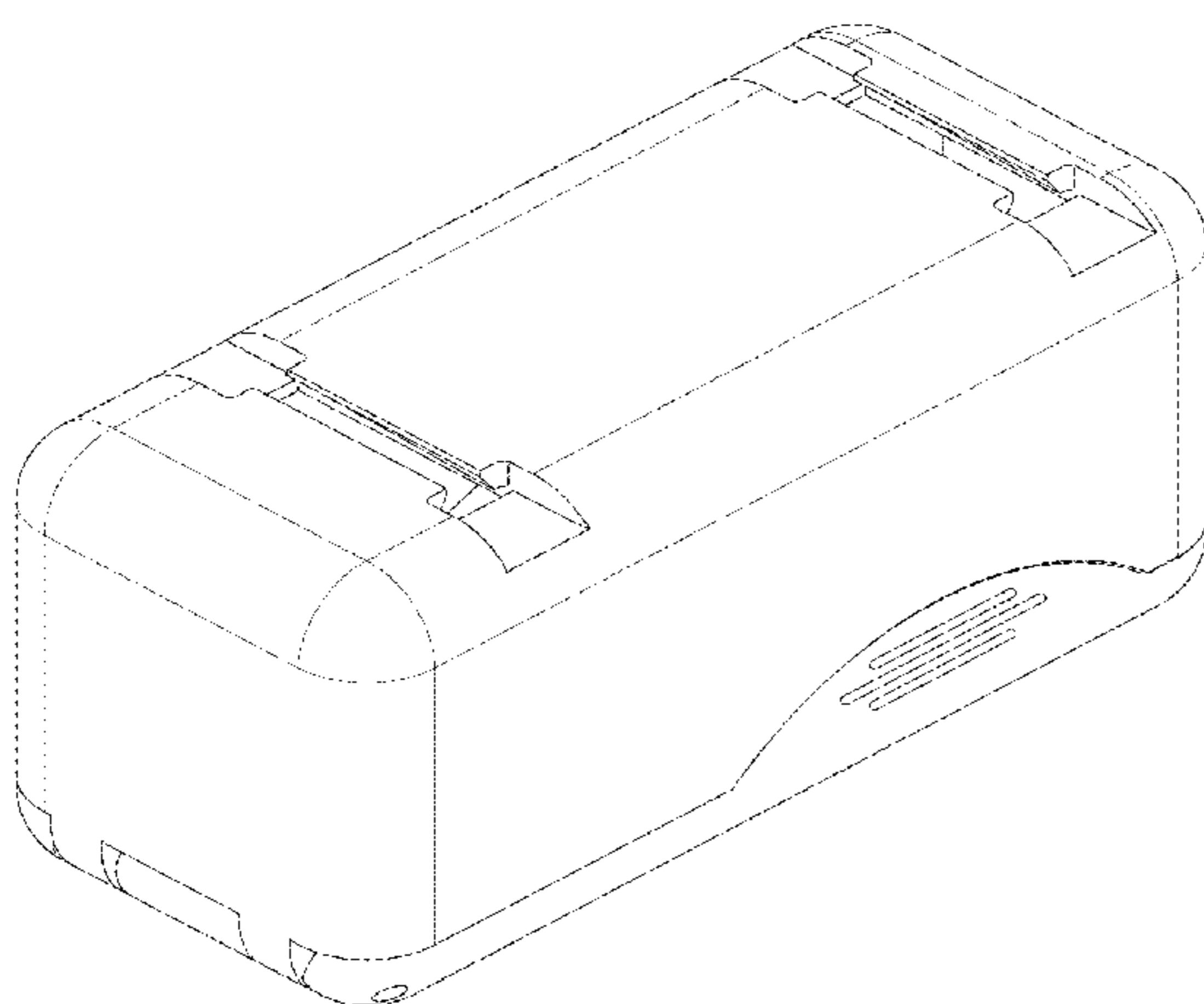
DESCRIPTION

FIG. 1 is a top and front perspective view of an arrowhead case, showing my new design;
FIG. 2 is a front view thereof;
FIG. 3 is a rear view thereof;
FIG. 4 is a left side view thereof;
FIG. 5 is a right side view thereof;
FIG. 6 is a top plan view thereof;
FIG. 7 is a bottom plan view thereof;
FIG. 8 is perspective view thereof, shown in an opened configuration; and,
FIG. 9 is a bottom perspective view of the arrowhead case.

1 Claim, 9 Drawing Sheets

(56) **References Cited**
U.S. PATENT DOCUMENTS

D155,058 S * 8/1949 Weiss D9/756
D216,635 S * 2/1970 Grange D9/748
3,915,362 A * 10/1975 Hart B60R 9/055
206/509
D257,800 S * 1/1981 Pedersen D3/275
D259,399 S * 6/1981 Shiffman D9/423
D259,496 S * 6/1981 Hampshire D19/76
D273,051 S * 3/1984 Runyon D28/76
D278,745 S * 5/1985 Takahashi D24/139



(56)

References Cited

U.S. PATENT DOCUMENTS

6,021,891	A *	2/2000	Anderson	A45C 11/34 206/214
6,237,612	B1 *	5/2001	Heyer	A45C 13/1084 132/293
D484,305	S *	12/2003	Eldon, III	D3/205
D496,585	S *	9/2004	McBride	D3/294
D513,978	S *	1/2006	Isono	D9/420
D535,789	S *	1/2007	Meyers	D28/83
D585,733	S *	2/2009	Feibelman	D9/418
D605,034	S *	12/2009	Sarantis	D9/430
D620,376	S *	7/2010	Peysen	D9/749
8,113,973	B1 *	2/2012	Lee	F42B 6/08 473/583
D717,166	S *	11/2014	Lee	D9/424
D741,703	S *	10/2015	Janson	D9/424
D782,183	S *	3/2017	de Vries	D3/205
D787,951	S *	5/2017	Lee	D9/749
D788,600	S *	6/2017	Lee	D9/749
10,058,480	B2 *	8/2018	Janson	A61J 1/05
2004/0182729	A1 *	9/2004	Farrar	A61F 17/00 206/349
2007/0267315	A1 *	11/2007	Yoshida	H02G 3/081 206/509
2015/0342319	A1 *	12/2015	Lee	A45D 27/225 206/354

* cited by examiner

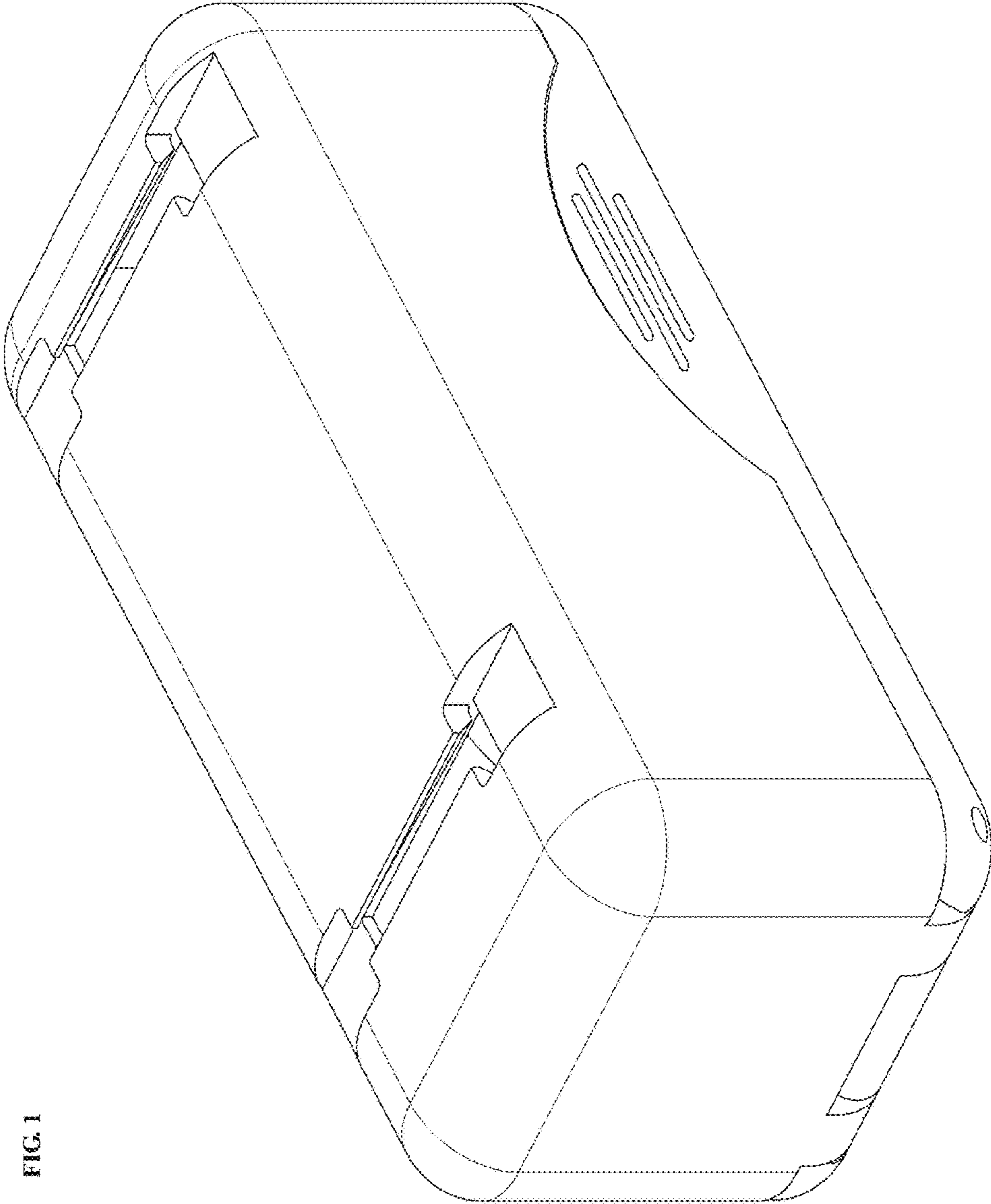


FIG. 1

FIG. 2

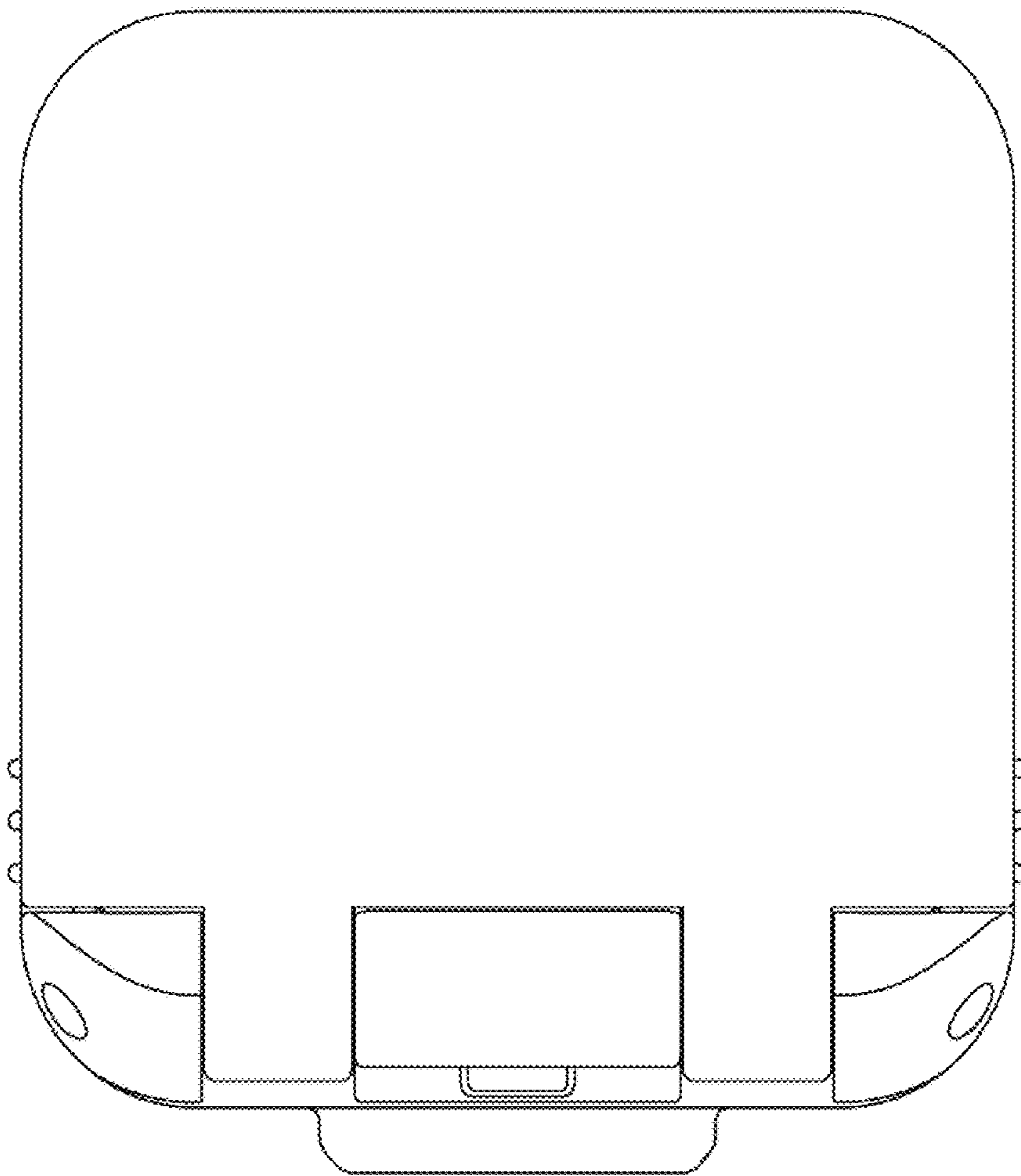
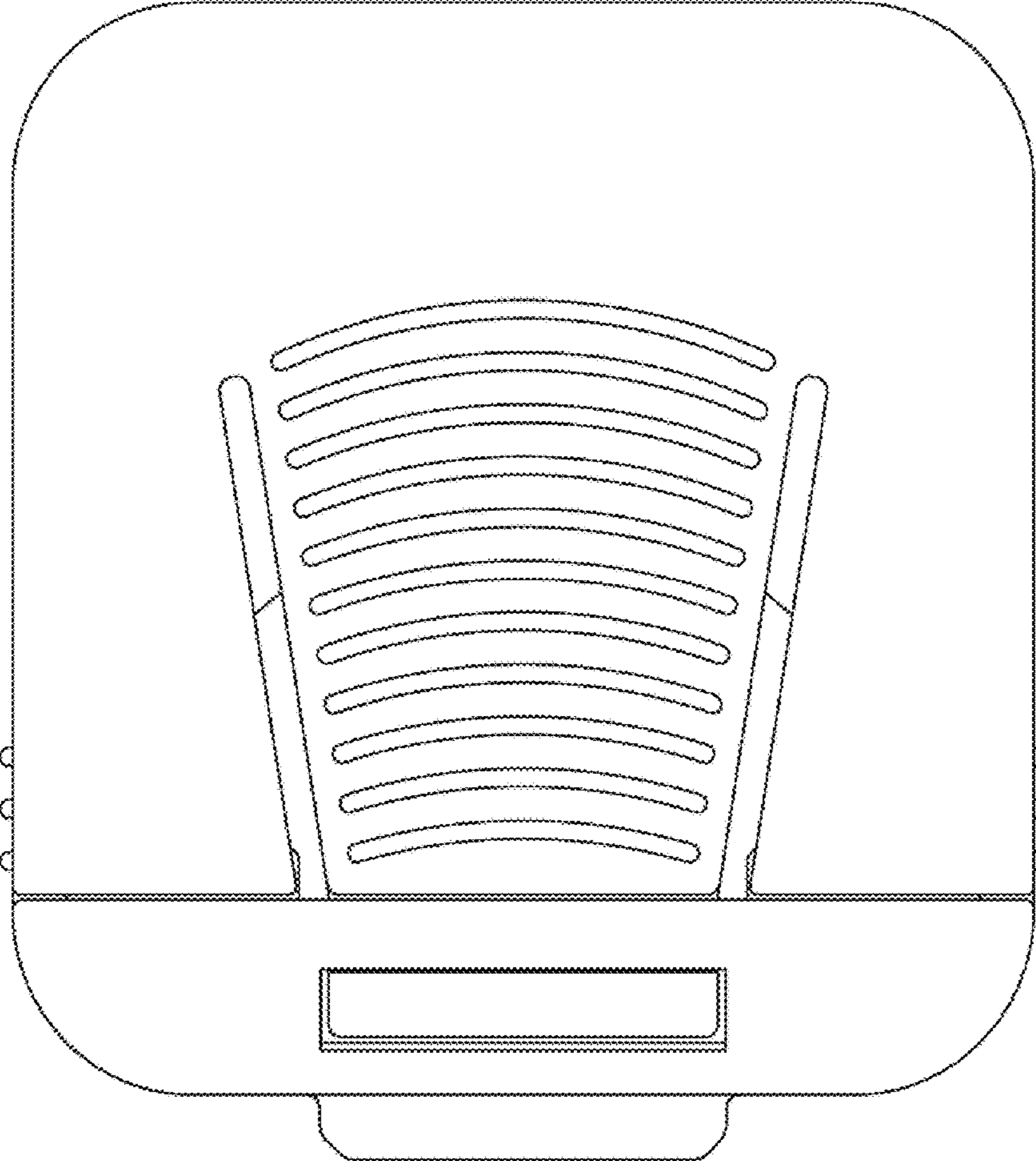


FIG. 3



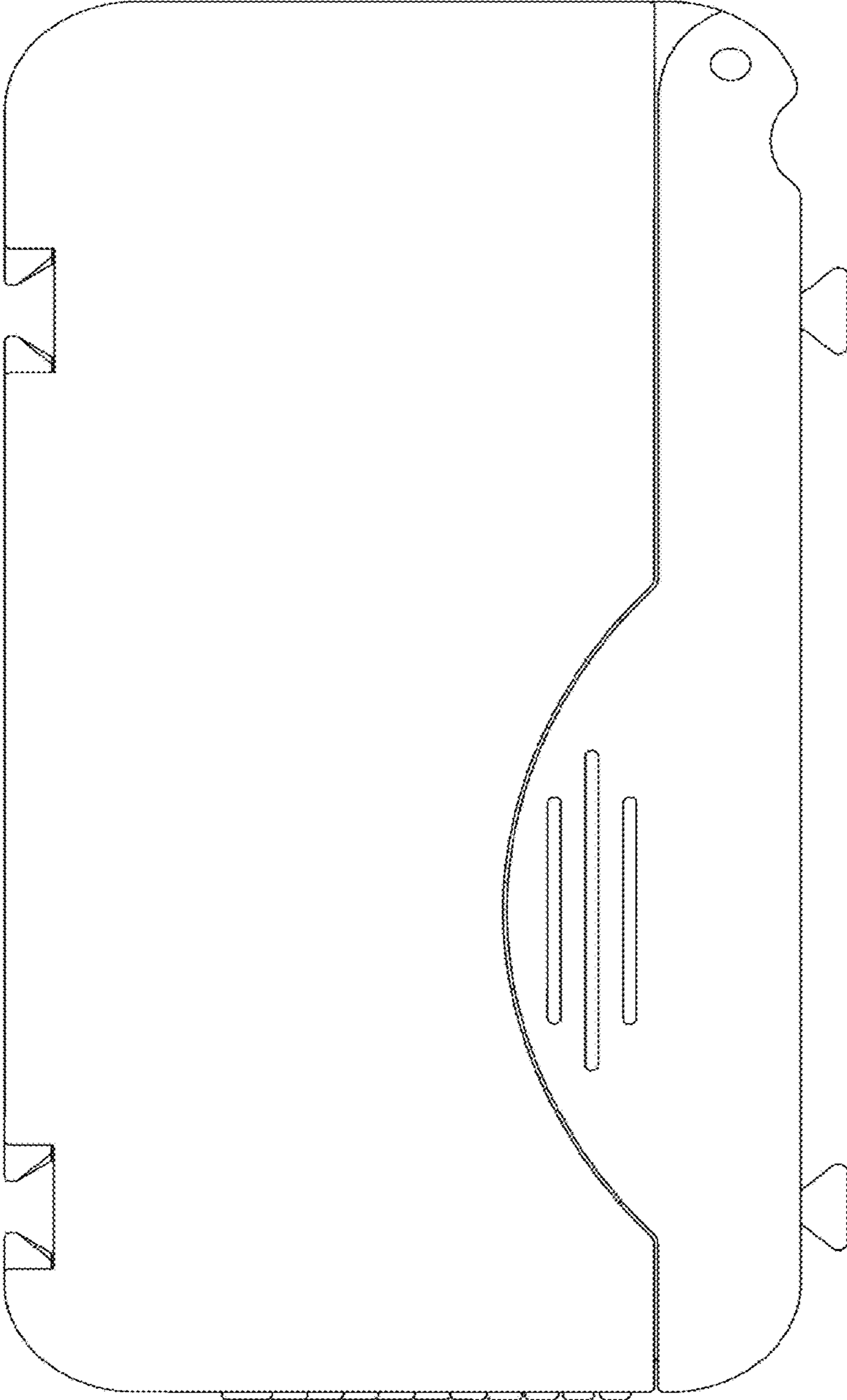


FIG. 4

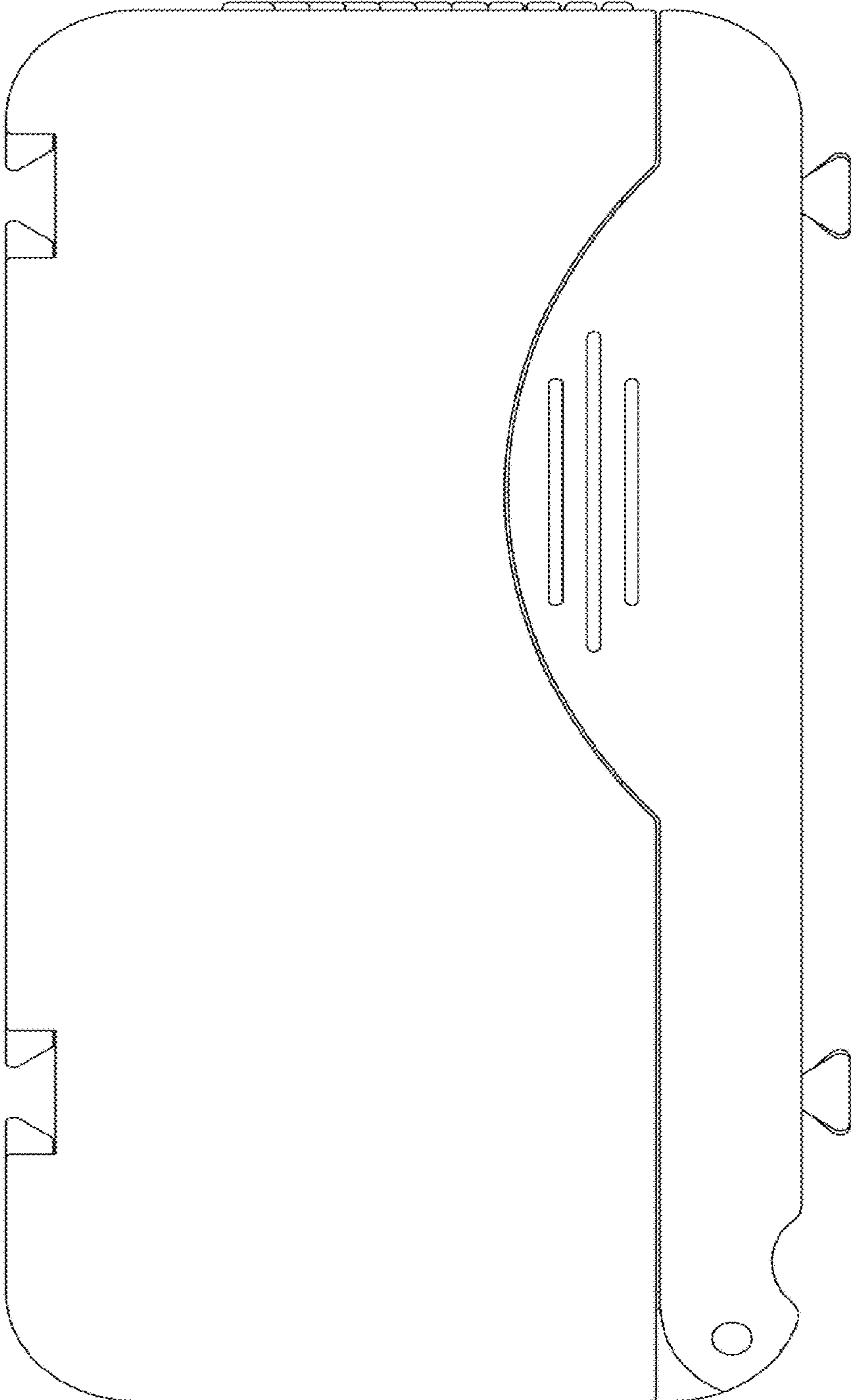


FIG. 5

FIG. 6

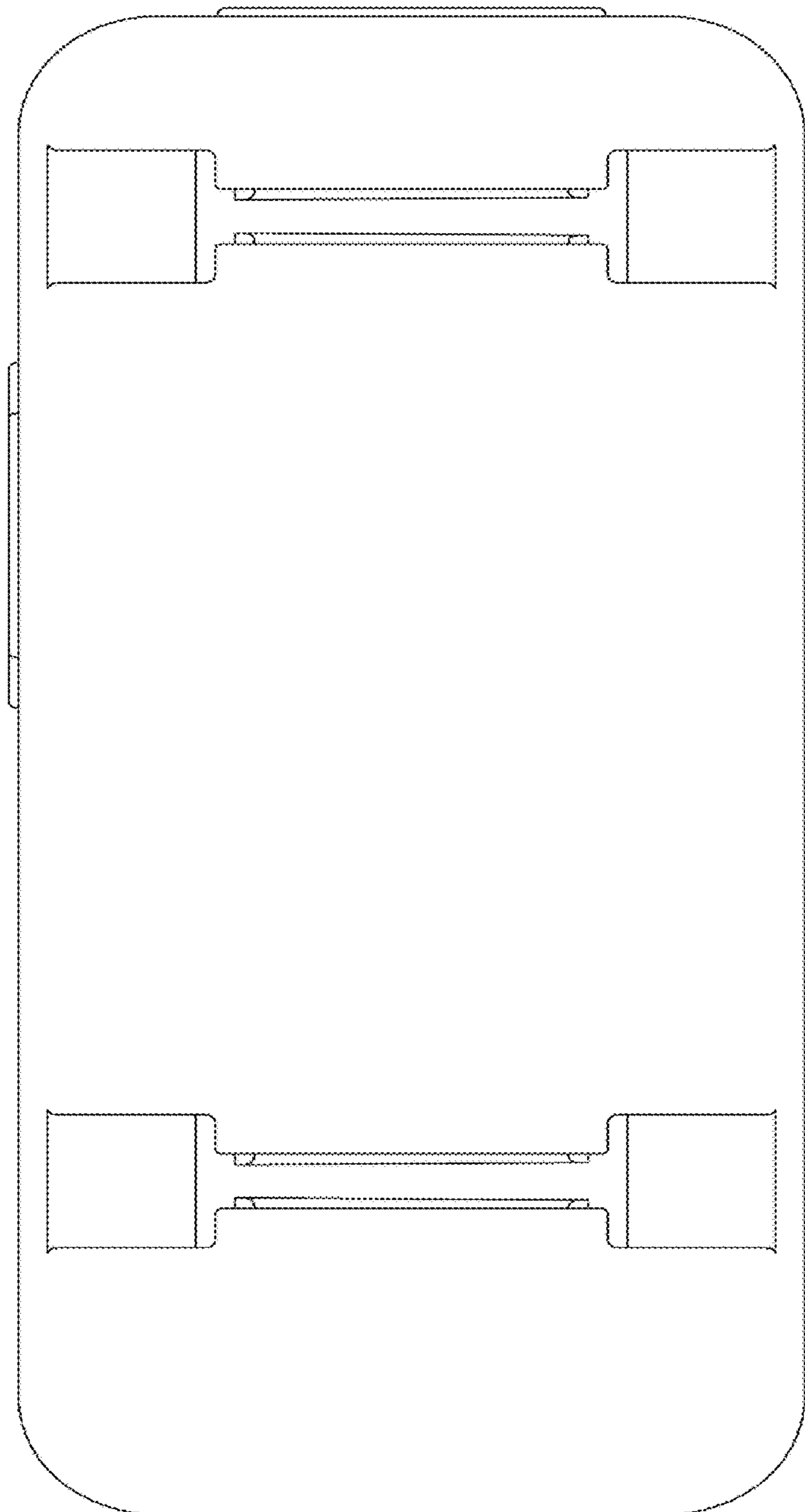
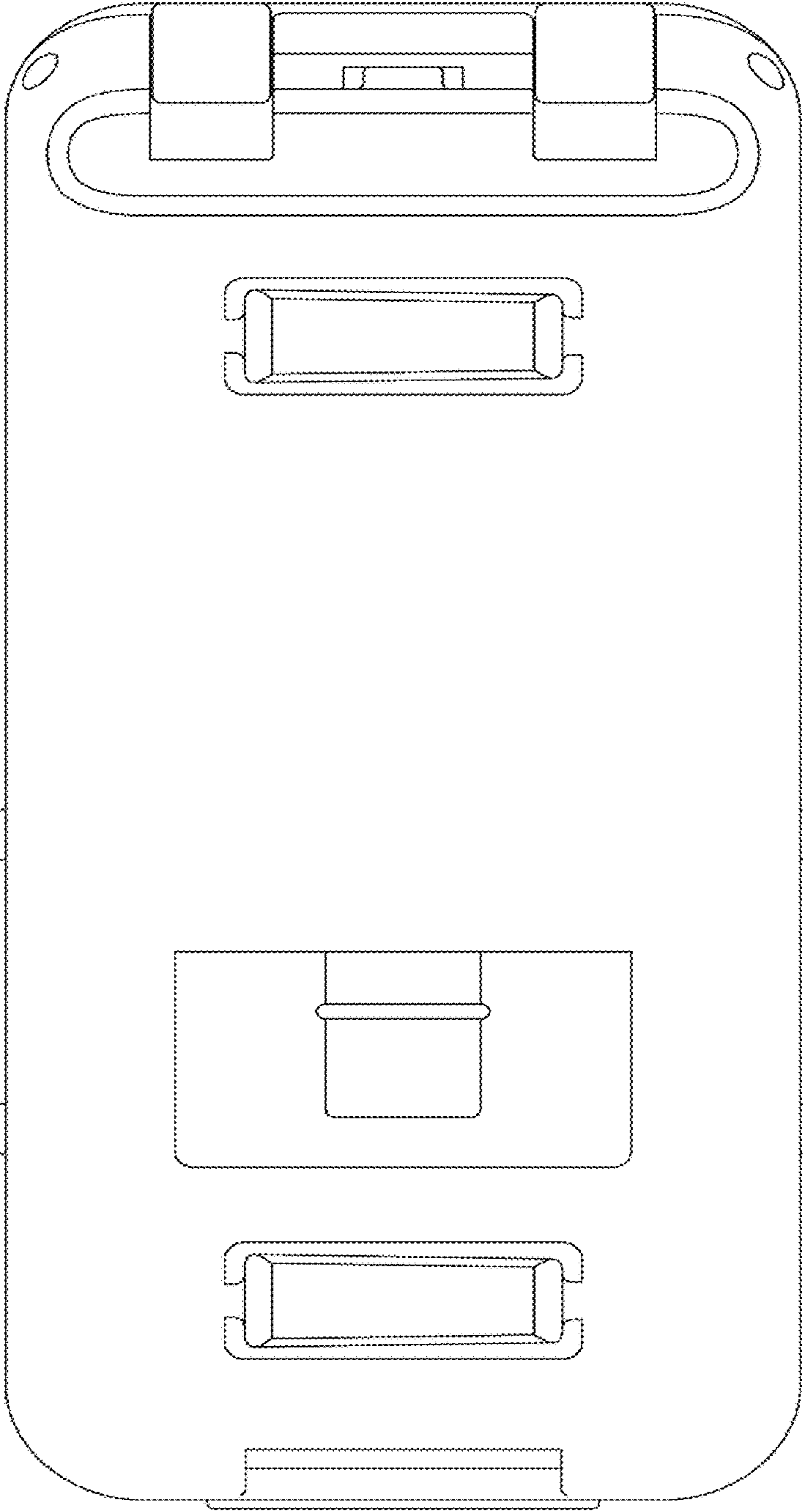


FIG. 7



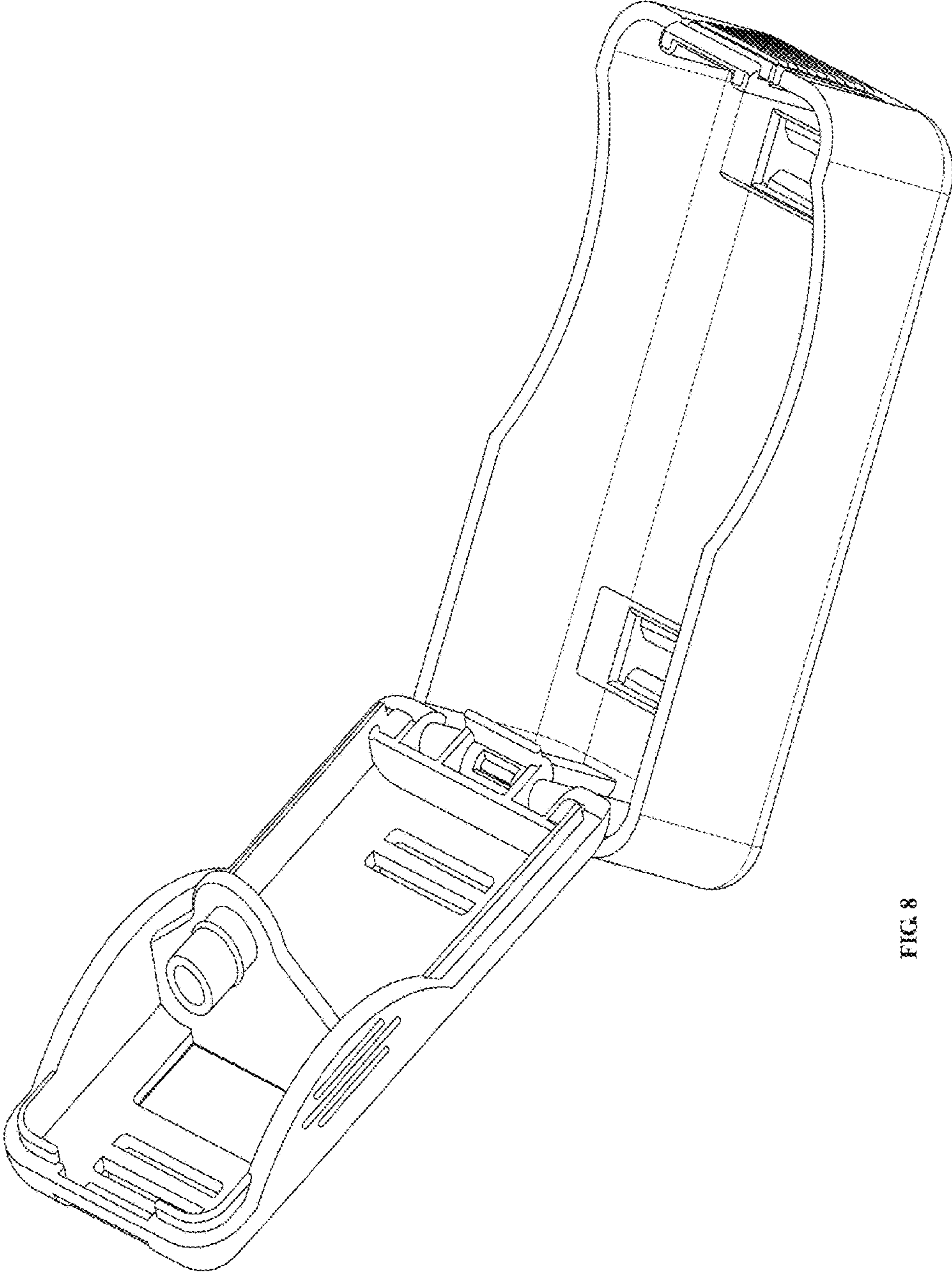


FIG. 8

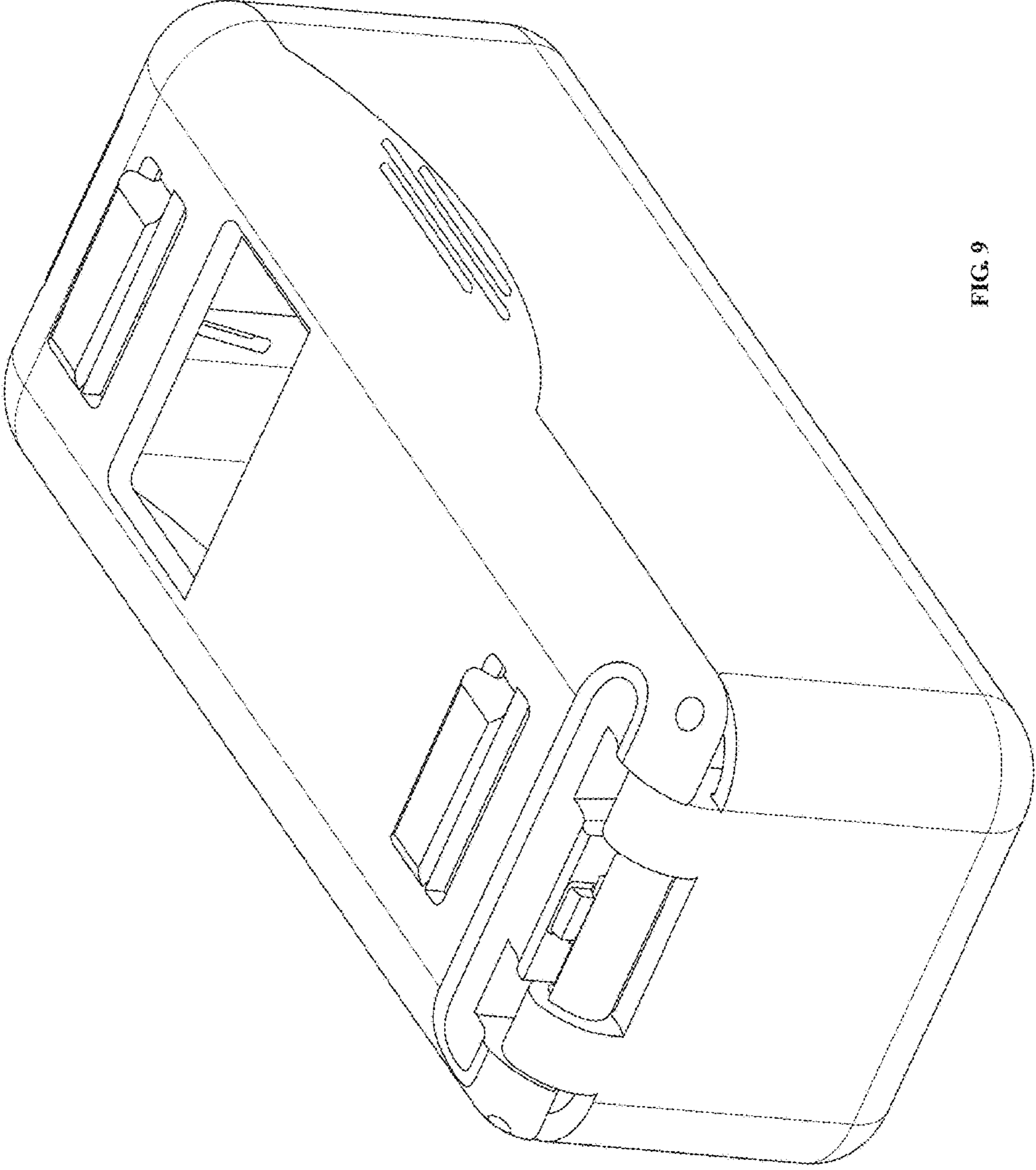


FIG. 9