



US00D852497S

(12) **United States Design Patent**
Ferrero

(10) **Patent No.:** **US D852,497 S**
(45) **Date of Patent:** **** Jul. 2, 2019**

- (54) **HANDBAG**
- (71) Applicant: **VALEXTRA S.P.A.**, Milan (IT)
- (72) Inventor: **Sara Ferrero**, Milan (IT)
- (73) Assignee: **VALEXTRA S.P.A.**, Milan (IT)
- (**) Term: **15 Years**
- (21) Appl. No.: **29/636,299**
- (22) Filed: **Feb. 7, 2018**
- (30) **Foreign Application Priority Data**

Aug. 9, 2017 (EP) 004139731-0001

- (51) **LOC (11) Cl.** **03-01**
- (52) **U.S. Cl.**
USPC **D3/243**
- (58) **Field of Classification Search**
USPC D3/232-233, 240-243, 245-246
CPC A45C 1/024; A45C 3/06
See application file for complete search history.

(56) **References Cited**

U.S. PATENT DOCUMENTS

- D360,751 S * 8/1995 Nash D3/233
- D765,969 S * 9/2016 Bonesi D3/243

- D770,176 S * 11/2016 Guyon D3/243
- D772,563 S * 11/2016 Carol-Libman D3/232
- D789,079 S * 6/2017 Michele D3/232
- D790,215 S * 6/2017 Nair D3/243
- D793,723 S * 8/2017 Lopez Montoya D3/232
- D798,046 S * 9/2017 Michele D3/232

* cited by examiner

Primary Examiner — Holly H Baynham

(74) *Attorney, Agent, or Firm* — Andrew F. Young, Esq.;
Lackebach Siegel, LLP

(57) **CLAIM**

The ornamental design for a handbag, as shown and described.

DESCRIPTION

FIG. 1 is a left front perspective view of my present invention.

FIG. 2 is a front elevation view thereof.

FIG. 3 is a rear elevation view thereof.

FIG. 4 is a left side elevation view thereof.

FIG. 5 is a right side elevation view thereof.

FIG. 6 is a top plan view thereof; and,

FIG. 7 is a bottom plan view thereof.

The broken lines showing handbag feet are for the purposes of illustrating environment and form no part of the claimed design.

1 Claim, 6 Drawing Sheets





FIG. 1

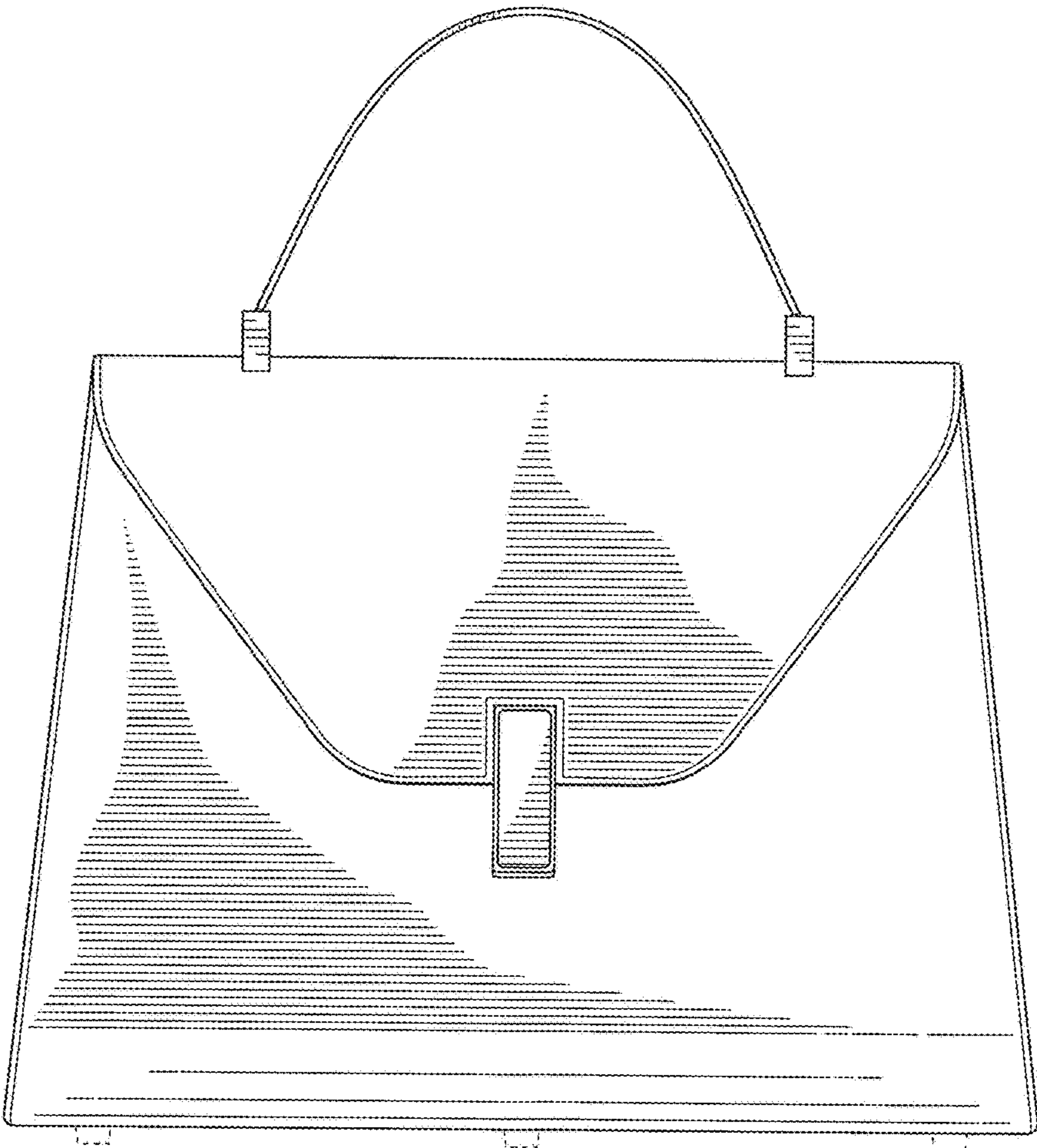


FIG. 2

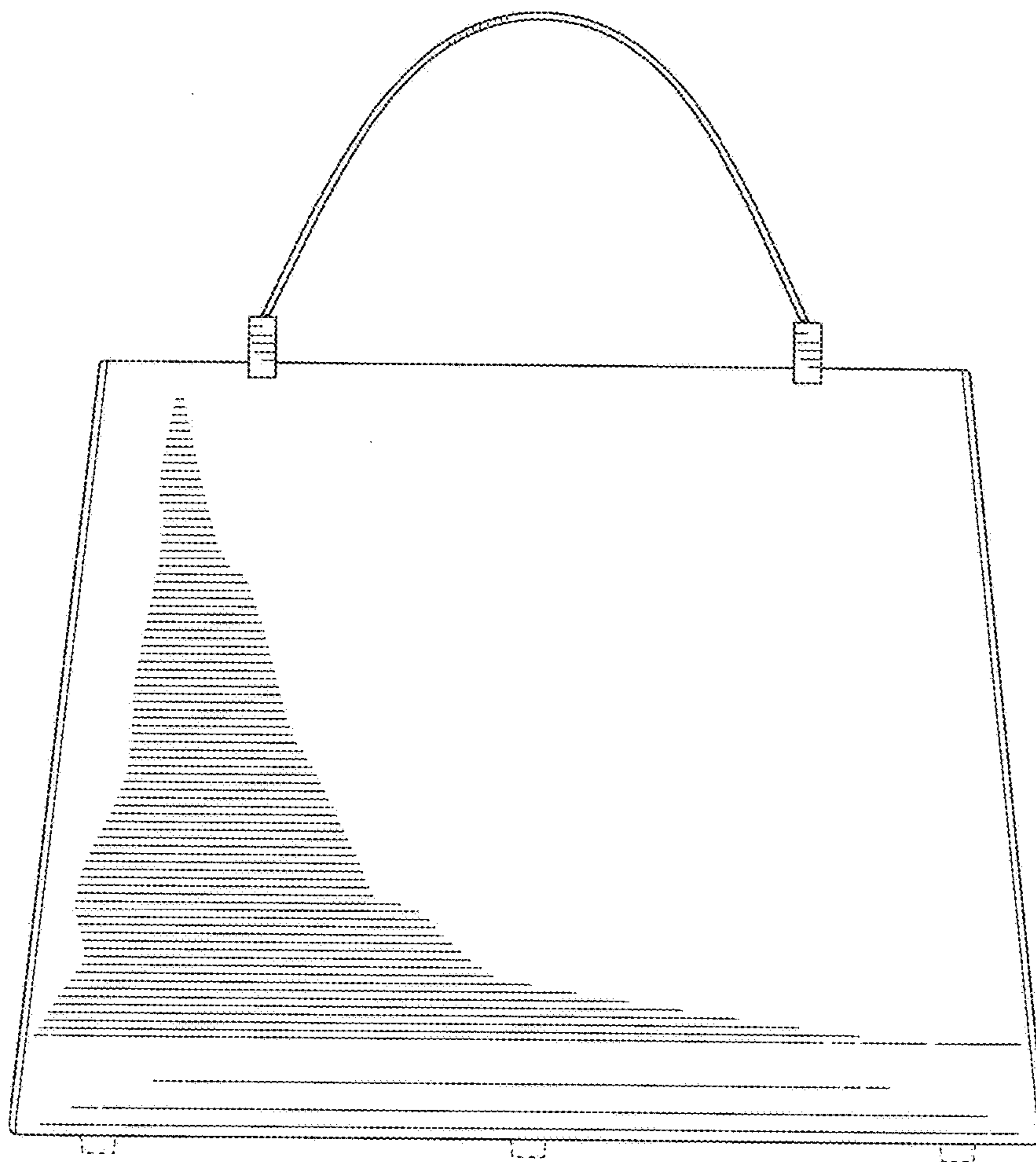


FIG. 3

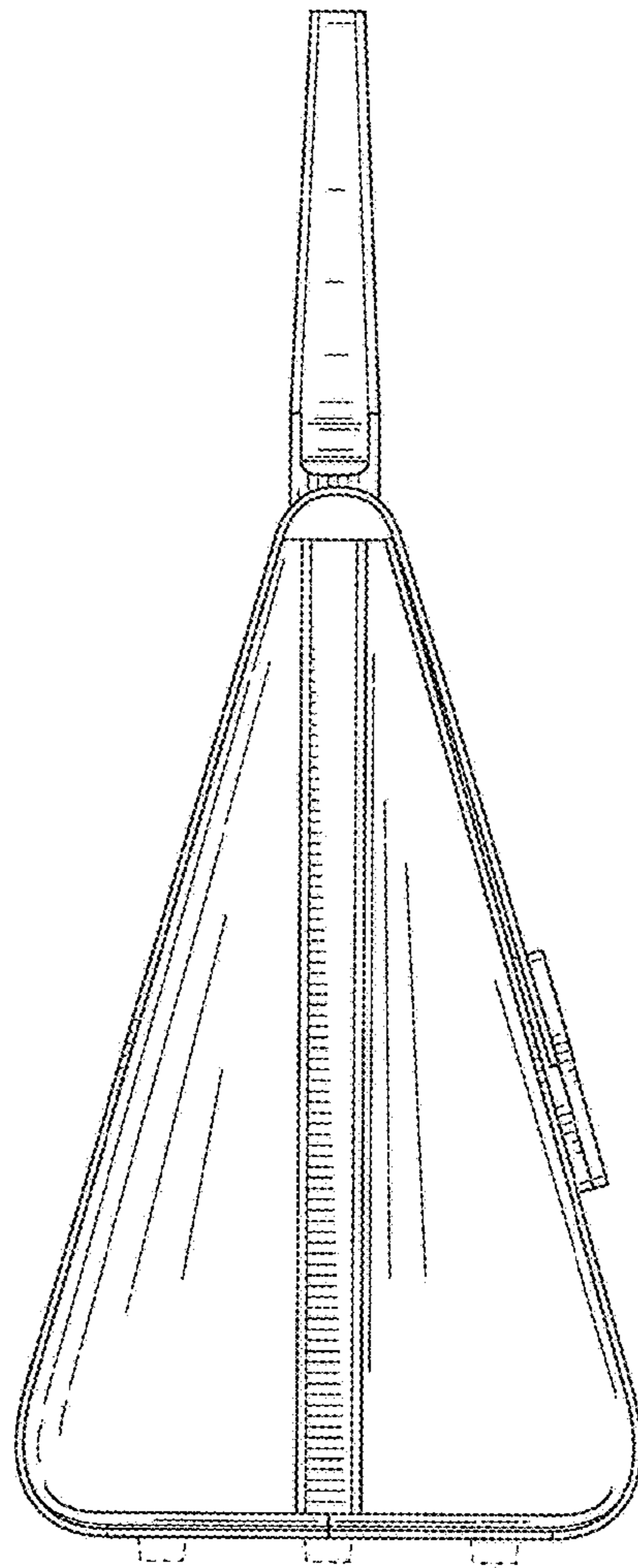


FIG. 4

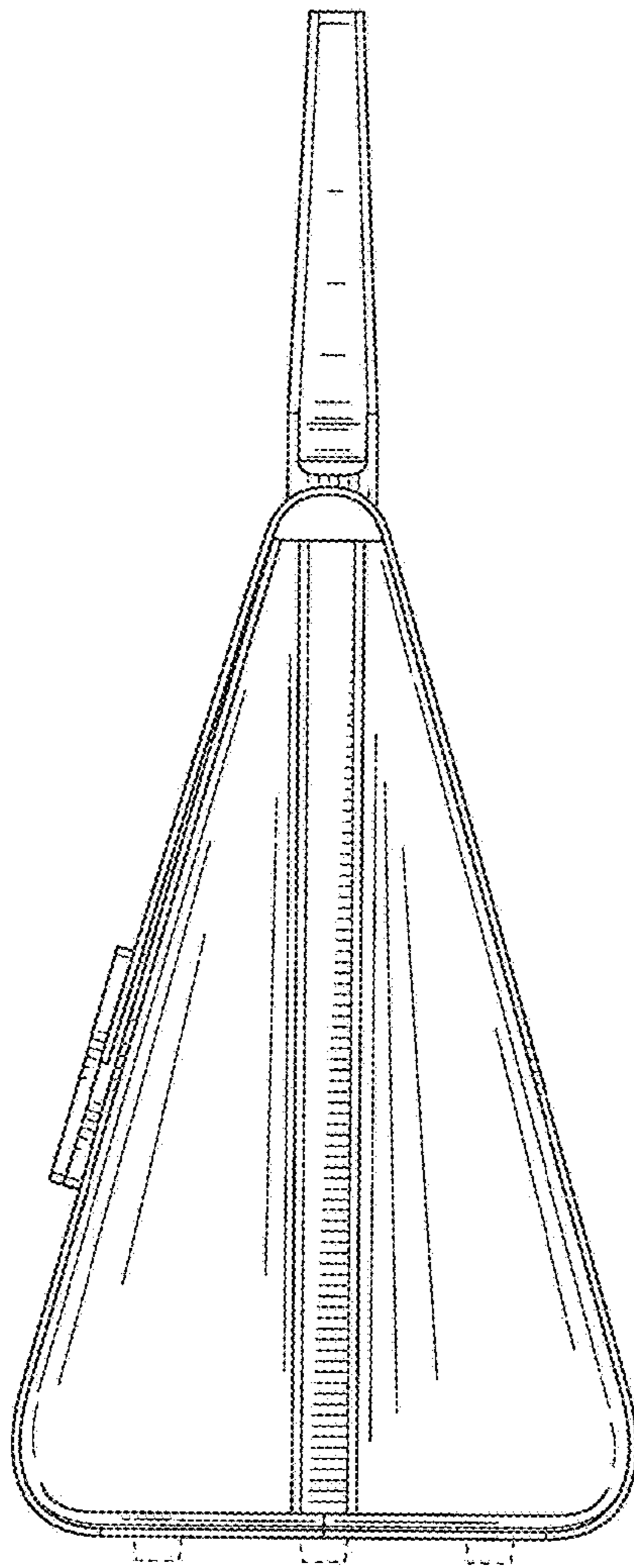


FIG. 5

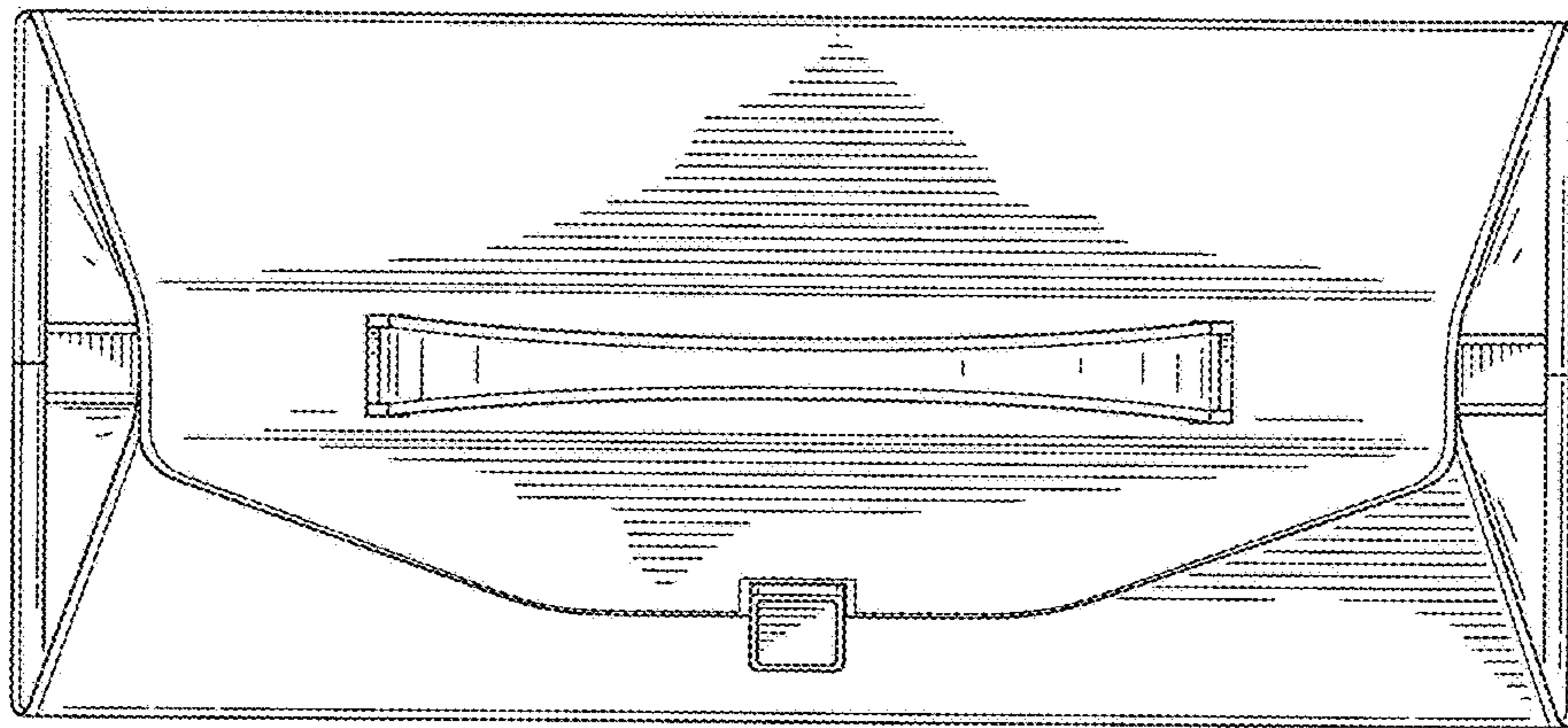


FIG. 6

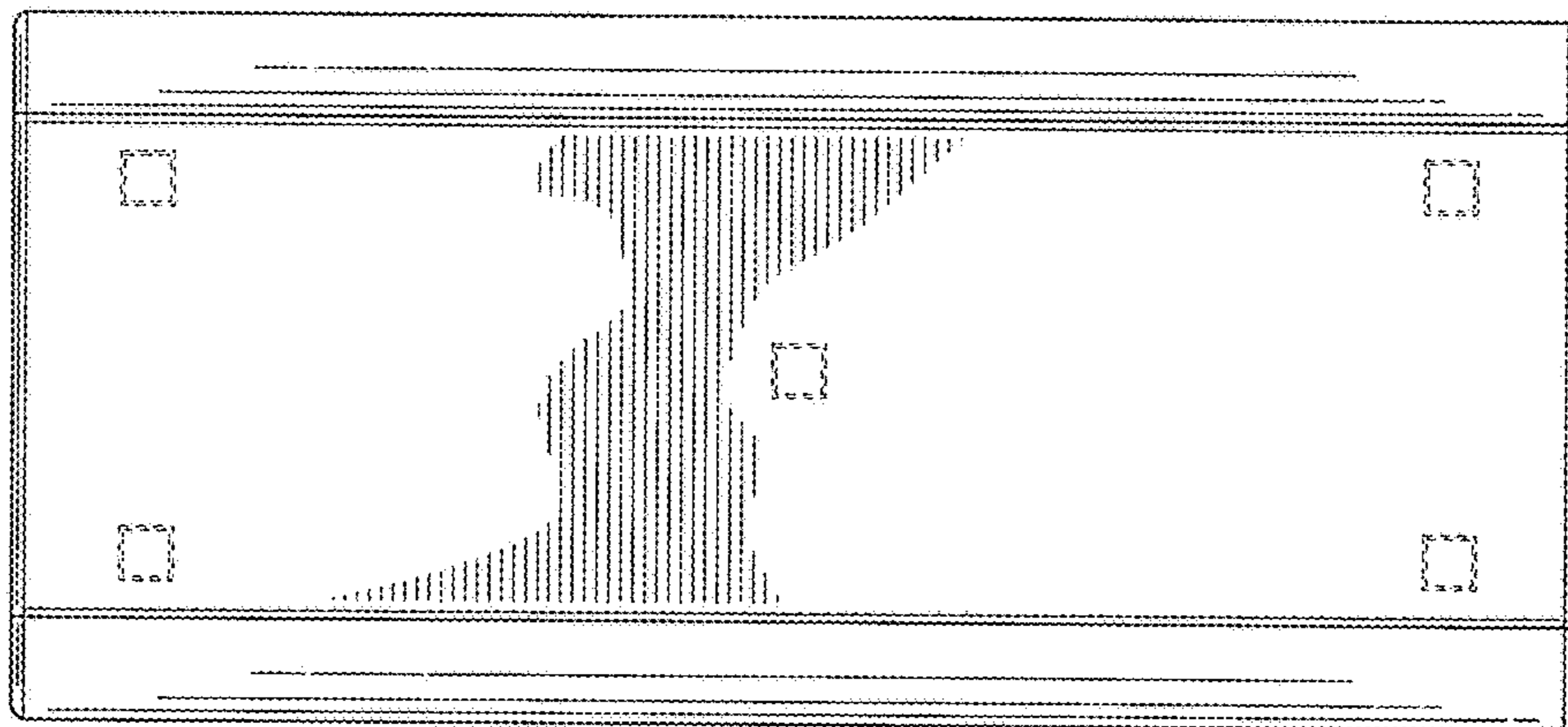


FIG. 7