



US00D852494S

(12) **United States Design Patent**
Gregg-Baker

(10) **Patent No.:** **US D852,494 S**

(45) **Date of Patent:** **** Jul. 2, 2019**

(54) **DEVICE FOR CARRYING A TUBULAR CONTAINER**

(71) Applicant: **Kimberly Gregg-Baker**, Caldwell, OH (US)

(72) Inventor: **Kimberly Gregg-Baker**, Caldwell, OH (US)

(**) Term: **15 Years**

(21) Appl. No.: **29/636,821**

(22) Filed: **Feb. 12, 2018**

(51) **LOC (11) Cl.** **03-01**

(52) **U.S. Cl.**
USPC **D3/229; D3/215**

(58) **Field of Classification Search**
USPC D3/215, 203.1, 207-212, 229; 224/197, 224/914, 222, 249, 255, 242, 148.4, 224/148.7, 183, 270, 676-678, 666, 671, 224/673, 904; 222/47, 175, 182-183, 222/153.11, 402.1; 239/337
CPC . A45C 11/32; A45C 15/00; A45C 3/14; A45F 5/00; A45F 5/02; A45F 5/021; A45F 2200/0575; A45F 2200/0566; G08B 15/02; F41H 9/10; B65D 83/384; B43K 29/10; F41C 33/02
See application file for complete search history.

(56) **References Cited**

U.S. PATENT DOCUMENTS

- 3,113,796 A * 12/1963 Neil A45F 5/00 224/223
- 3,445,046 A * 5/1969 Wilson B65D 83/384 222/175
- 4,220,263 A * 9/1980 Caruso A45C 11/32 222/183
- D261,698 S * 11/1981 Humble D3/229
- D272,774 S * 2/1984 Weissenburger D3/229
- D279,624 S * 7/1985 Rich D3/229

- D280,258 S * 8/1985 Miller D3/229
 - D281,830 S * 12/1985 Hengesbach D3/229
 - D311,260 S 10/1990 Hasert
 - 5,067,836 A 11/1991 Khan
 - 5,263,619 A * 11/1993 Shoemaker F41B 15/02 224/236
 - 5,388,740 A * 2/1995 Garland A45F 5/02 224/242
 - 5,392,975 A * 2/1995 Blankenship, Jr. A45F 5/02 224/914
 - D361,199 S * 8/1995 Taylor D3/226
 - 5,443,192 A * 8/1995 Hodges A45F 5/02 224/148.6
 - D368,364 S * 4/1996 Reitano D3/215
- (Continued)

Primary Examiner — Catherine R Oliver-Garcia
(74) *Attorney, Agent, or Firm* — CreatiVenture Law; Linda L Lewis; D. Donahue

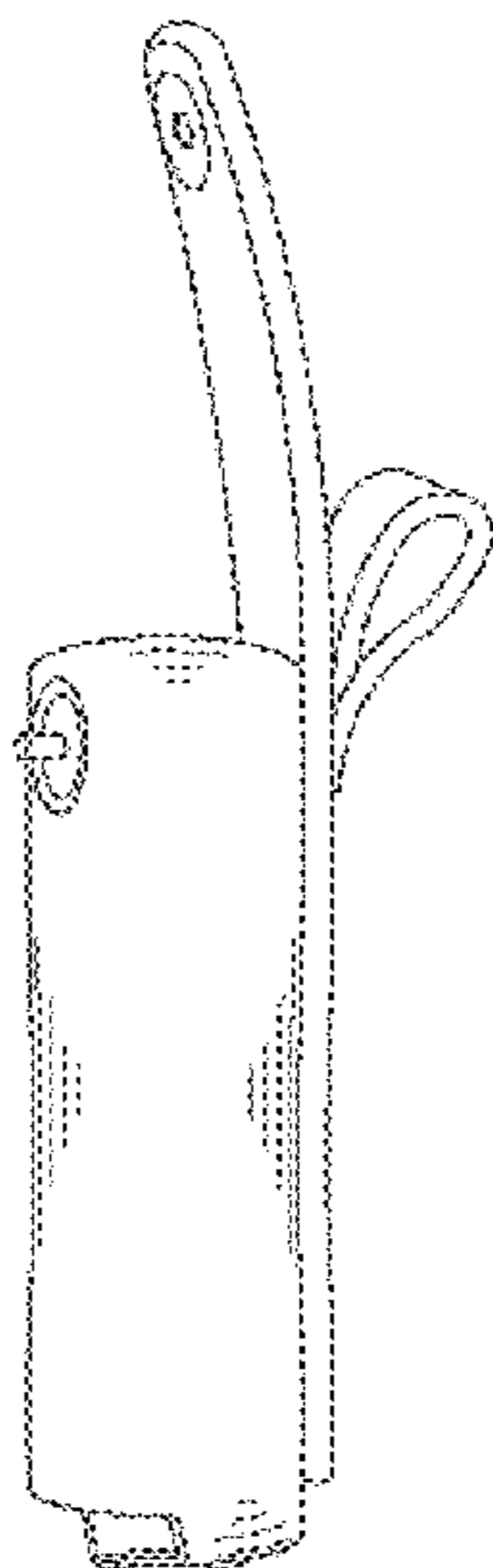
(57) **CLAIM**

The ornamental design for a device for carrying a tubular container, as shown and described.

DESCRIPTION

FIG. 1 is a perspective view of a first embodiment of an open device for carrying a tubular container;
FIG. 2 is a rear view thereof;
FIG. 3 is a front view thereof;
FIG. 4 is a left side view thereof;
FIG. 5 is a bottom view thereof; and
FIG. 6 is a top view thereof.
FIG. 7 is a perspective view of a second embodiment of an open device for carrying a tubular container;
FIG. 8 is a rear view thereof;
FIG. 9 is a front view thereof;
FIG. 10 is a left side view thereof;
FIG. 11 is a bottom view thereof; and,
FIG. 12 is a top view thereof.
The right side view substantially mirrors the left side view.

1 Claim, 10 Drawing Sheets



(56)

References Cited

U.S. PATENT DOCUMENTS

5,680,679 A 10/1997 May
5,711,468 A * 1/1998 Shoemaker A45F 5/02
224/240
D433,562 S * 11/2000 Redlinger D3/208
D501,311 S * 2/2005 Passmore D3/208
D528,290 S * 9/2006 Anderton D28/77
7,584,710 B2 * 9/2009 Grundy A45F 5/02
112/153
D718,524 S * 12/2014 Doerksen D3/228
9,131,758 B2 9/2015 Stein
D745,742 S 12/2015 Betts
D788,449 S 6/2017 Chrenka
2004/0031829 A1 2/2004 Guimond
2010/0122709 A1 5/2010 Janatpour
2015/0203052 A1 7/2015 Wolfsen

* cited by examiner

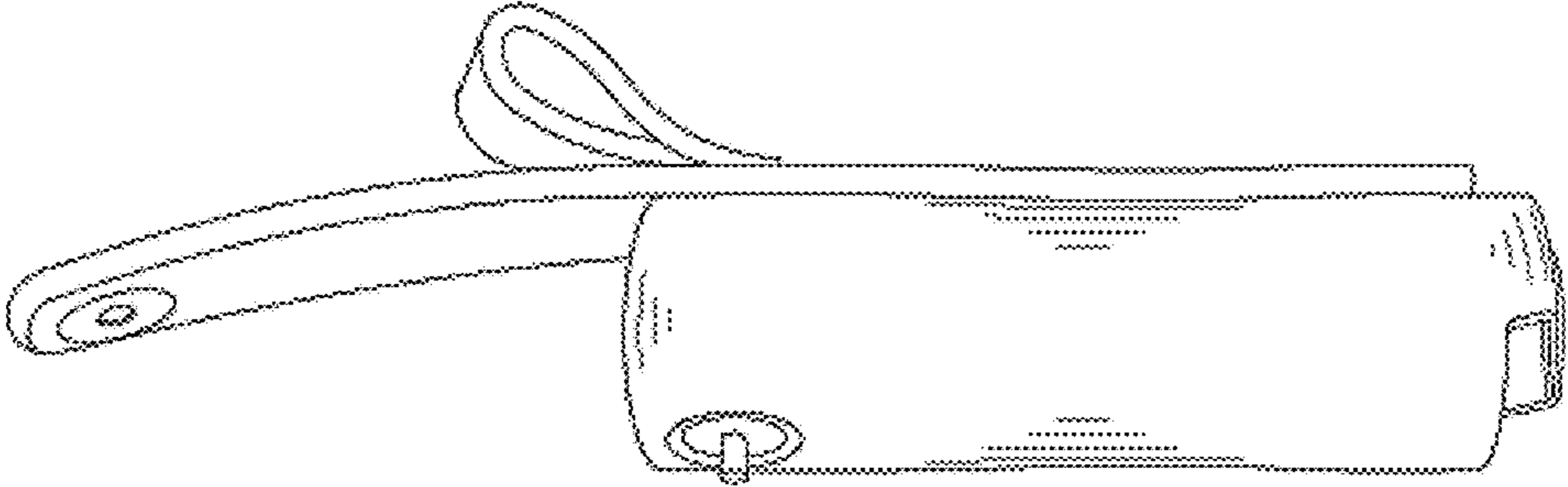


FIG. 1

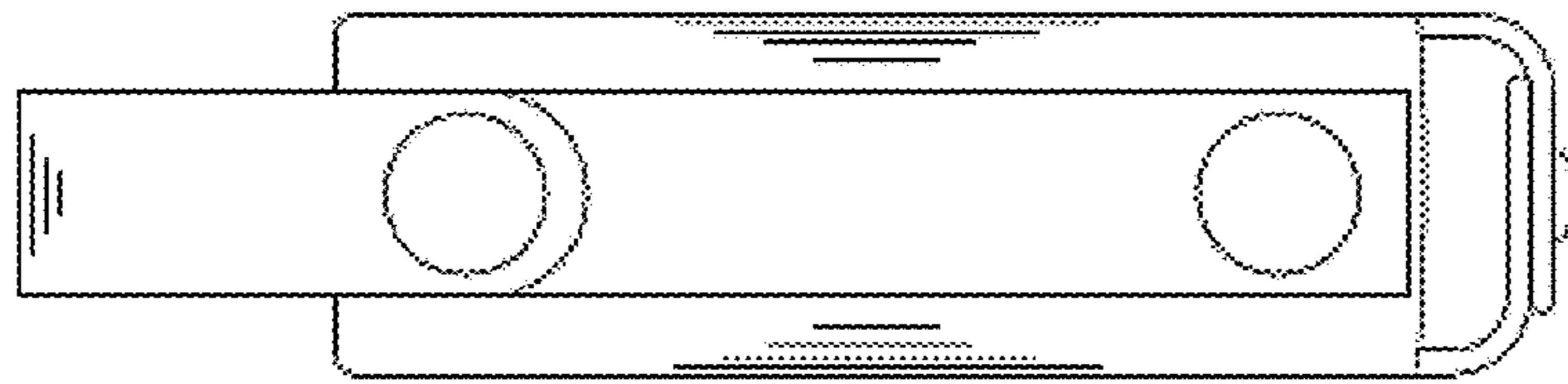


FIG. 2

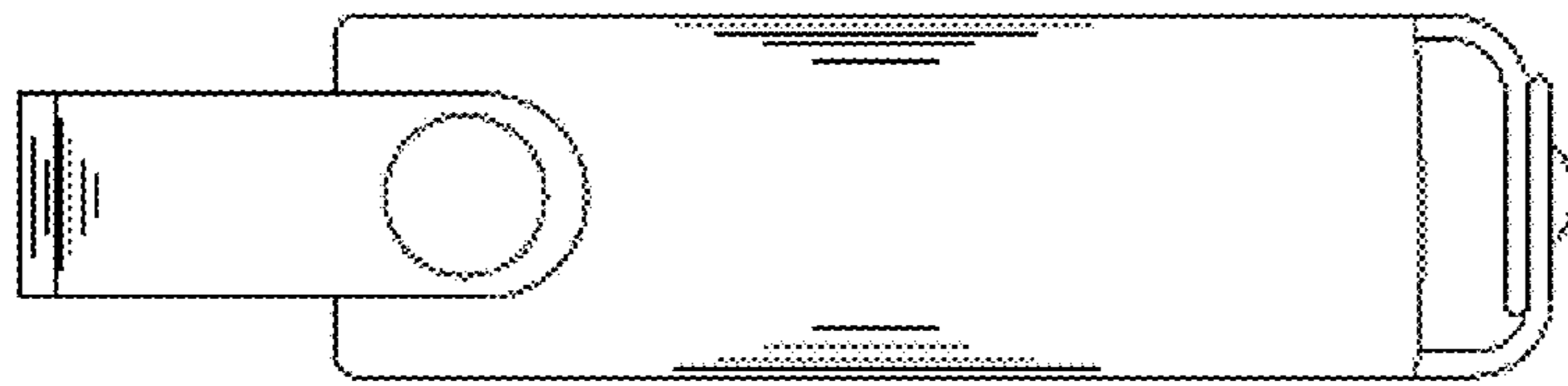


FIG. 3

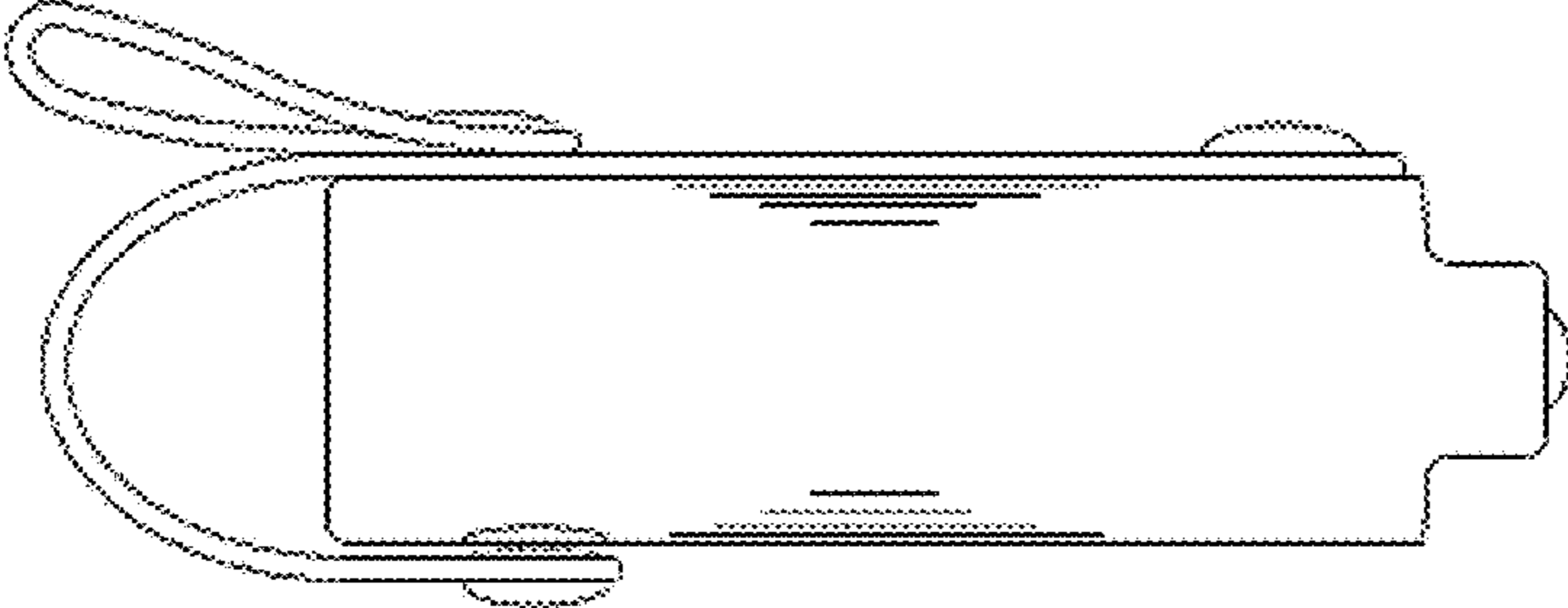


FIG. 4

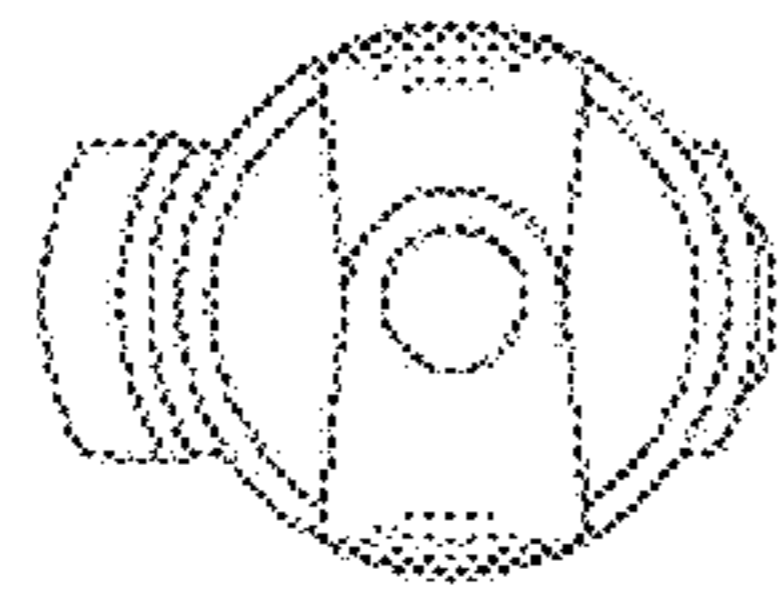


FIG. 5

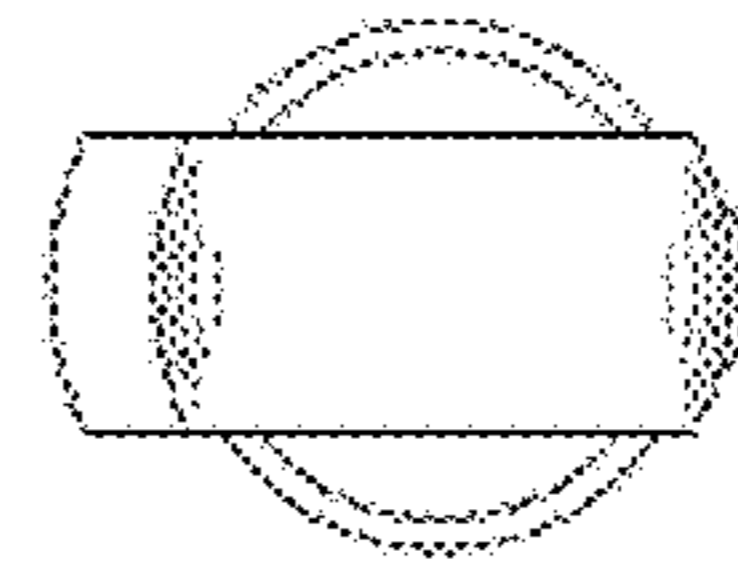


FIG. 6

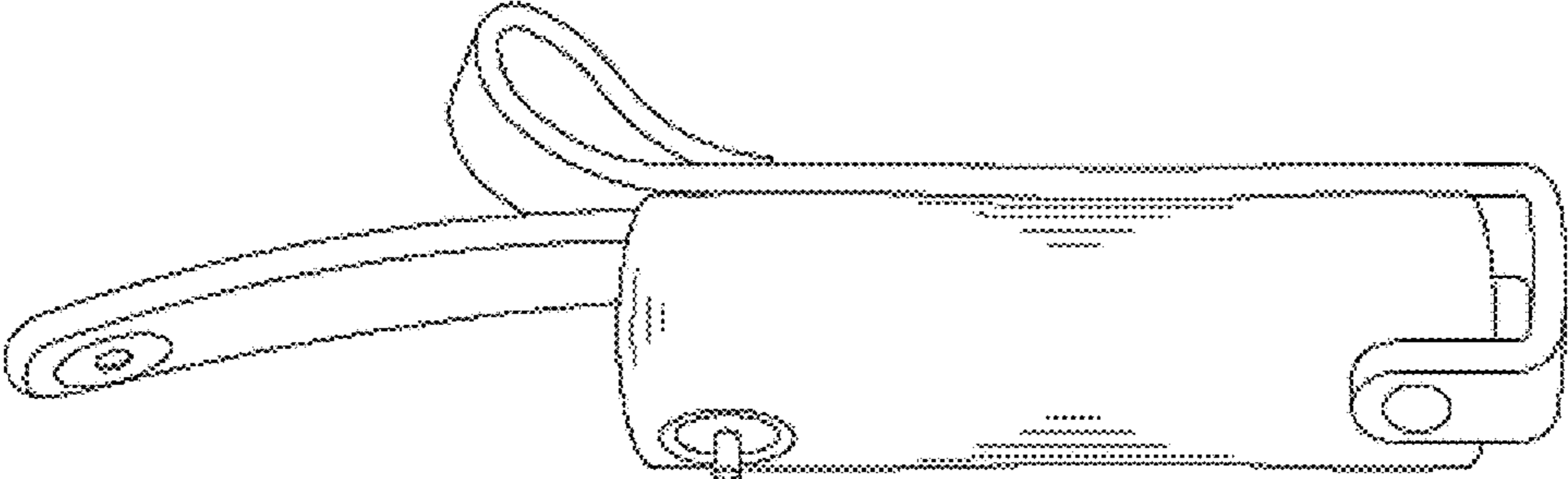


FIG. 7

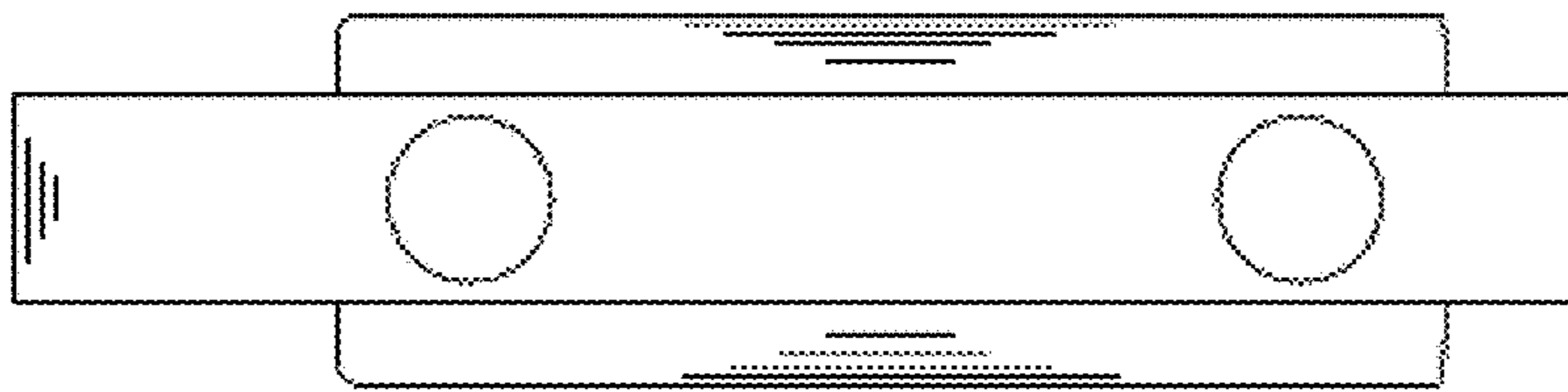


FIG. 8

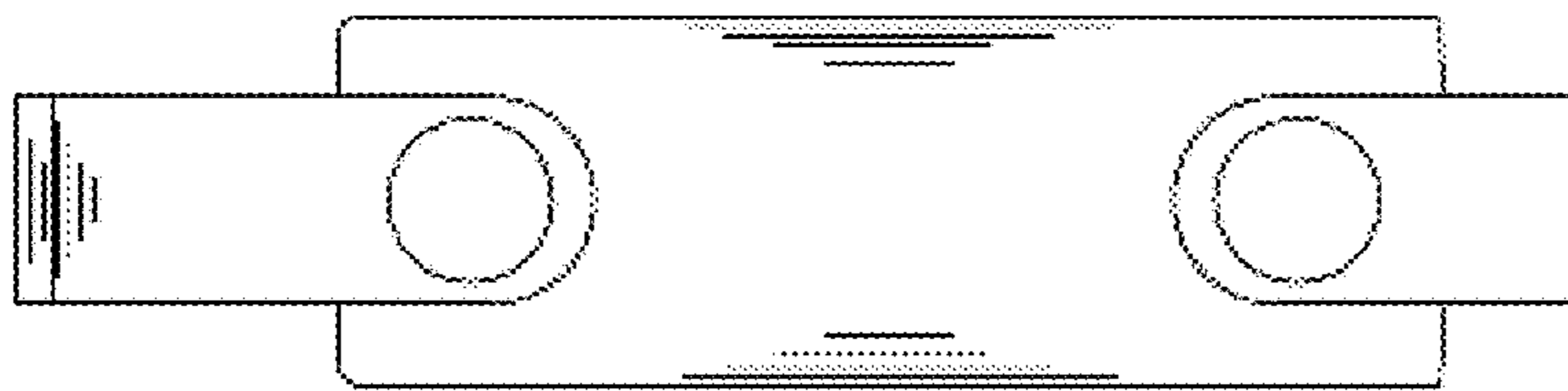


FIG. 9

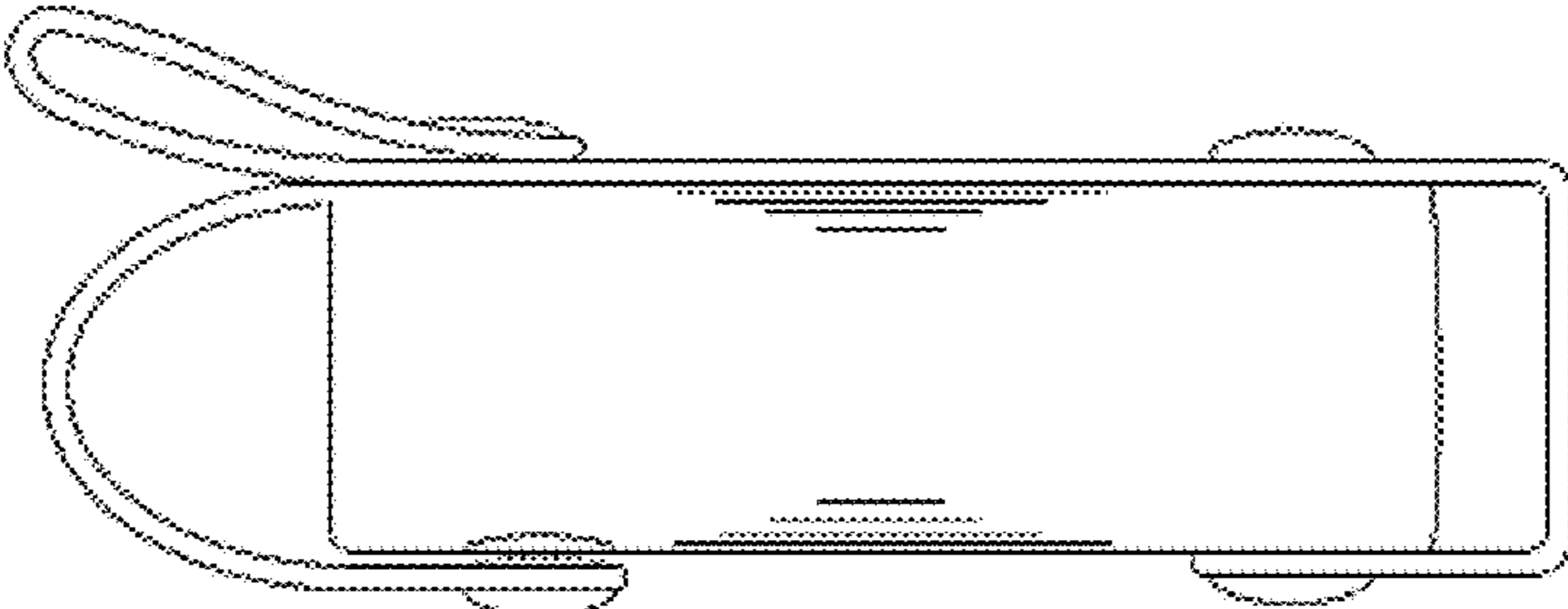


FIG. 10

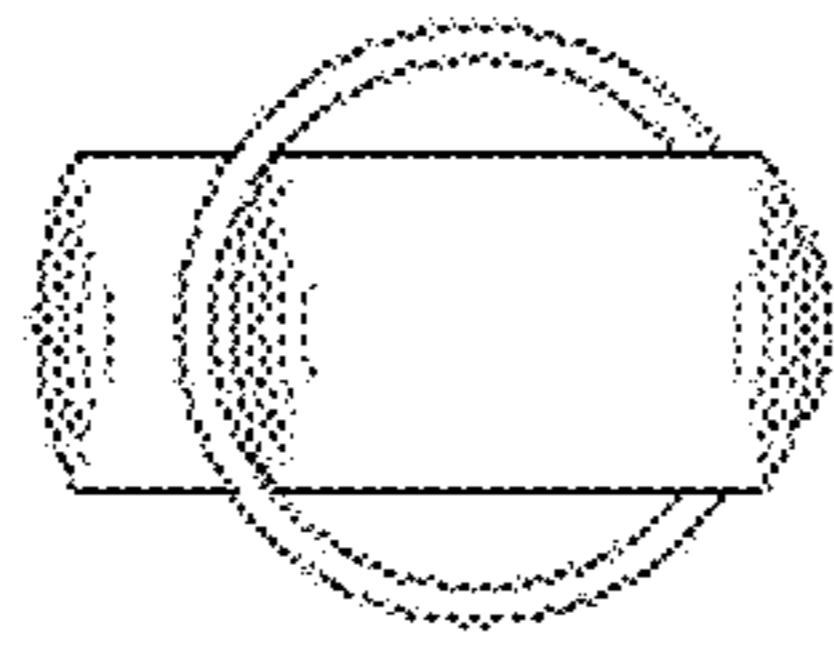


FIG. 11

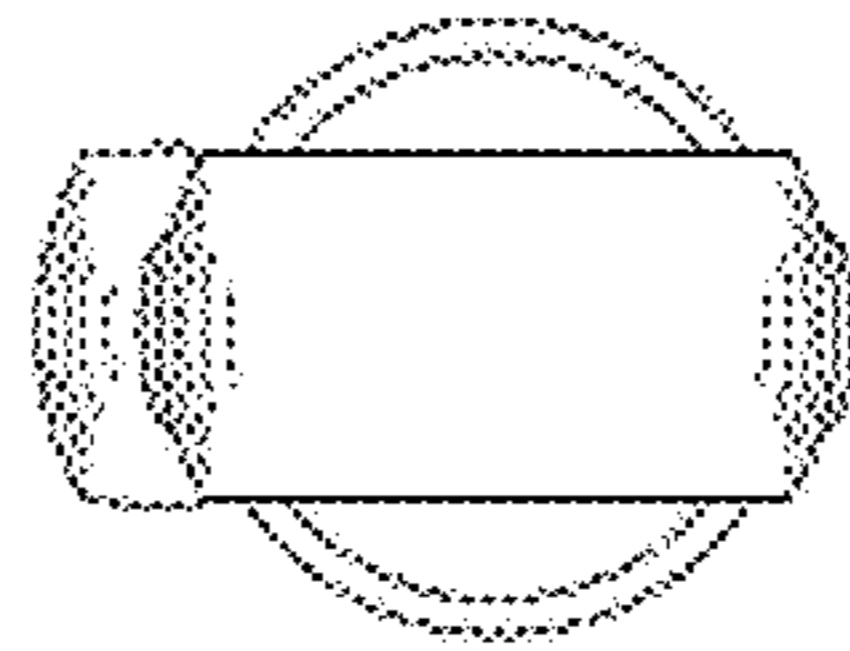


FIG. 12