



US00D852493S

(12) **United States Design Patent** (10) **Patent No.:** **US D852,493 S**
Lee et al. (45) **Date of Patent:** **** Jul. 2, 2019**

(54) **BINOCULAR CASE**
(71) Applicant: **NIKON INC.**, Melville, NY (US)
(72) Inventors: **David C. Lee**, New Fairfield, CT (US);
Jeffrey Hunter, Shoreham, NY (US);
Randy A. Garrison, Northport, NY (US)

9,332,822 B2 * 5/2016 Hunt A45F 5/14
9,872,553 B1 * 1/2018 Erlandson A45F 3/00
D809,783 S * 2/2018 Votel D3/215
2009/0294500 A1 * 12/2009 Brown A45F 3/04
224/651
2012/0227209 A1 * 9/2012 Vinson A45F 3/14
15/339

(73) Assignee: **NIKON INC.**, Melville, NY (US)

FOREIGN PATENT DOCUMENTS

EM 005246436-0002 * 6/2018

(**) Term: **15 Years**

OTHER PUBLICATIONS

(21) Appl. No.: **29/623,487**

Trex Exo Component Case, posted at posted at nikonportoptics.com, no posting date available, online, URL:http://www.nikonportoptics.com/en/nikon-products/sro-acc-cases/trex-exo-component-case.html (Year: 2018).*

(22) Filed: **Oct. 25, 2017**

(51) **LOC (11) Cl.** **03-01**

(52) **U.S. Cl.**

USPC **D3/217**

(58) **Field of Classification Search**

USPC D3/201, 213–219, 221, 224, 225, 226,
D3/230, 232, 233, 243–246, 254, 263,
D3/265, 267, 268, 269, 273, 274, 276,
D3/283, 287, 290, 299, 315, 318;
224/153, 155–157, 641–642, 644, 630
CPC A45C 3/08; A45C 3/06; A45C 3/00; A45C
13/08; A45C 13/02; A45C 13/26; A45C
7/0086; A45F 3/04; A45F 3/02; A45F
3/045; A45F 3/08; A45F 3/10; A45F
3/14; A45F 2005/00; A45F 2005/002;
A45F 2005/006

See application file for complete search history.

* cited by examiner

Primary Examiner — Anhdao Doan
Assistant Examiner — Mary Shannon Malley
(74) *Attorney, Agent, or Firm* — Oliff PLC

(57) **CLAIM**

The ornamental design for a binocular case, as shown and described.

DESCRIPTION

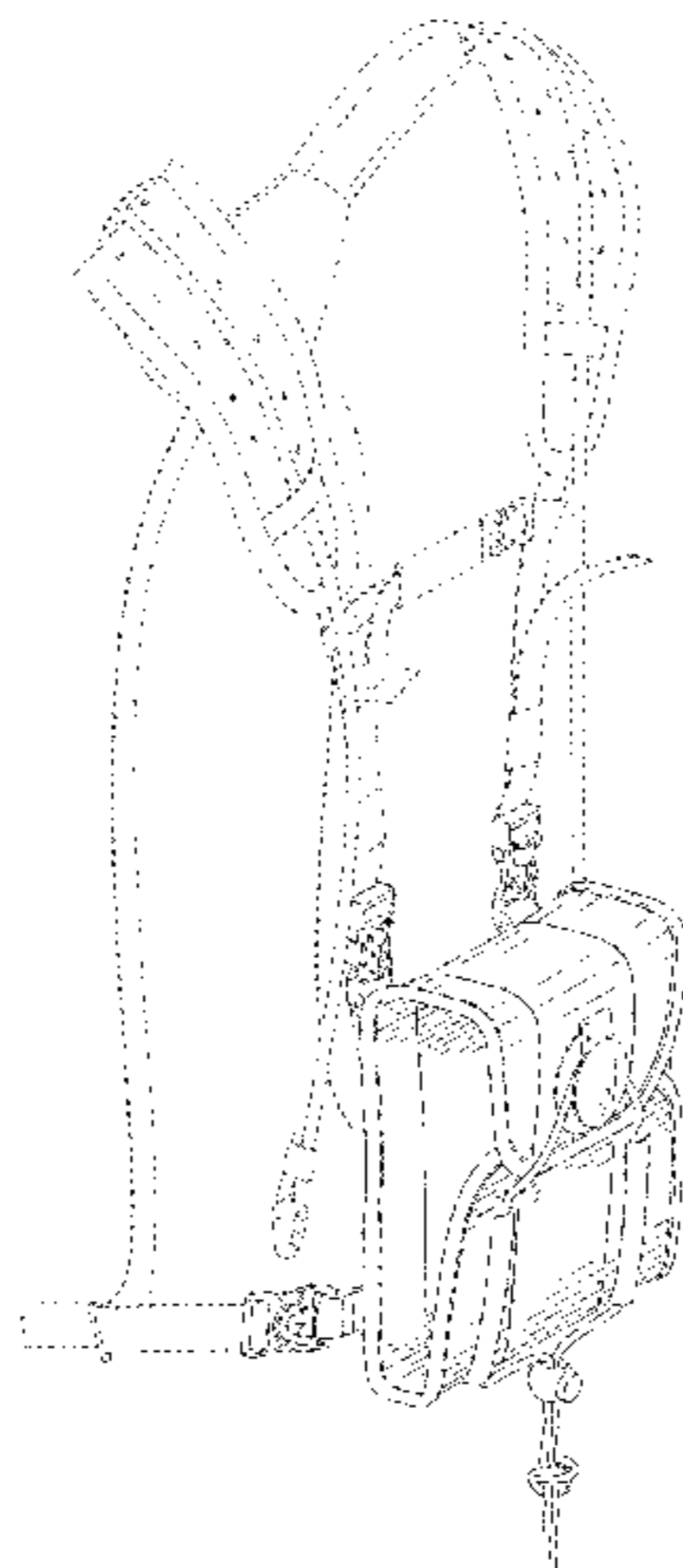
FIG. 1 is a front, top, left-side perspective view of the binocular case;
FIG. 2 is a front elevational view thereof;
FIG. 3 is a top plan view thereof;
FIG. 4 is a right-side elevational view thereof;
FIG. 5 is a left-side elevational view thereof;
FIG. 6 is a rear elevational view thereof;
FIG. 7 is a bottom plan view thereof; and,
FIG. 8 is a front, top, left-side perspective view thereof in an open state.
The broken lines depict unclaimed parts of the binocular case, and thus form no part of the claimed design.

(56) **References Cited**

U.S. PATENT DOCUMENTS

D351,061 S * 10/1994 Coons D3/219
D384,810 S * 10/1997 Kopel D3/226
D439,047 S * 3/2001 Holland D3/299
D450,448 S * 11/2001 Pierce D3/216
D499,251 S * 12/2004 Chen D3/219
D601,341 S * 10/2009 Arman D3/263
D620,258 S * 7/2010 Fahrendorff D3/299
D726,409 S * 4/2015 Fusi D3/243

1 Claim, 8 Drawing Sheets



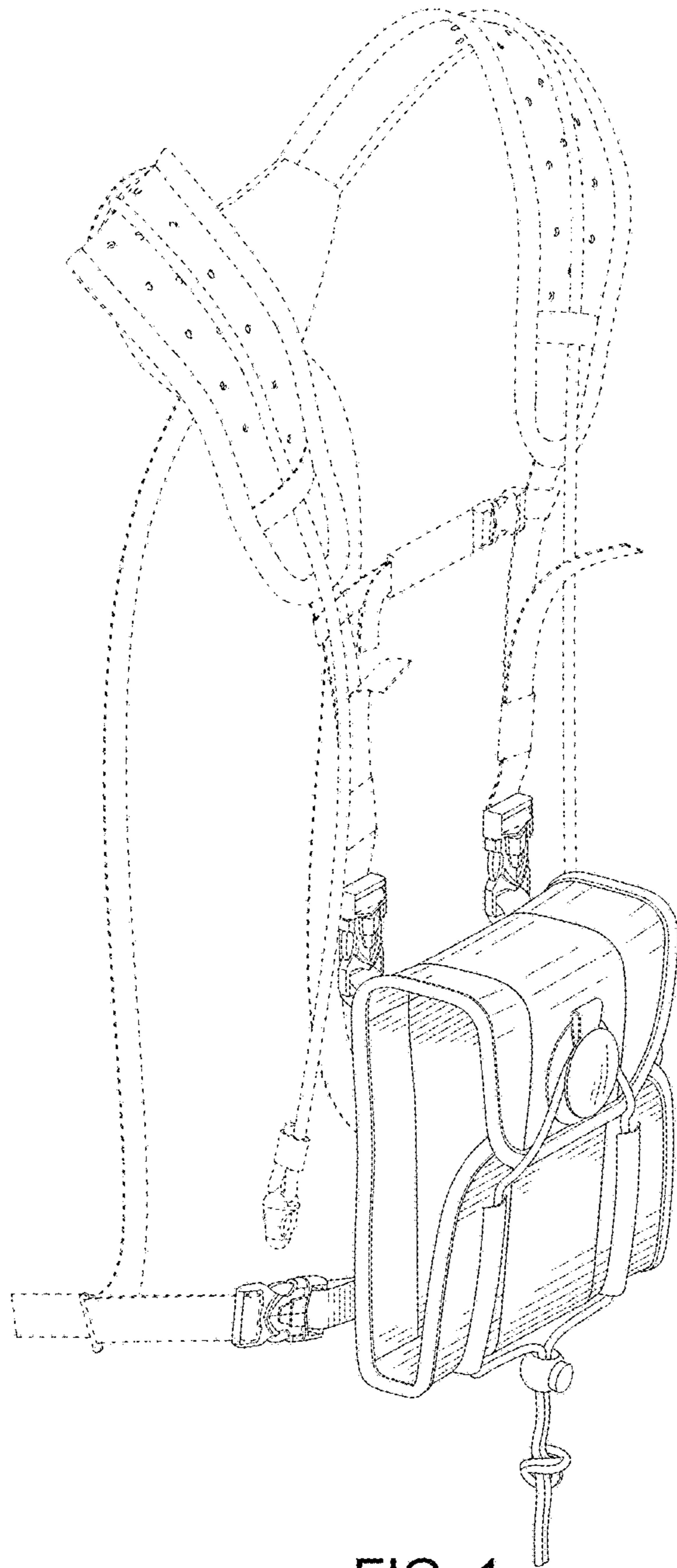


FIG. 1

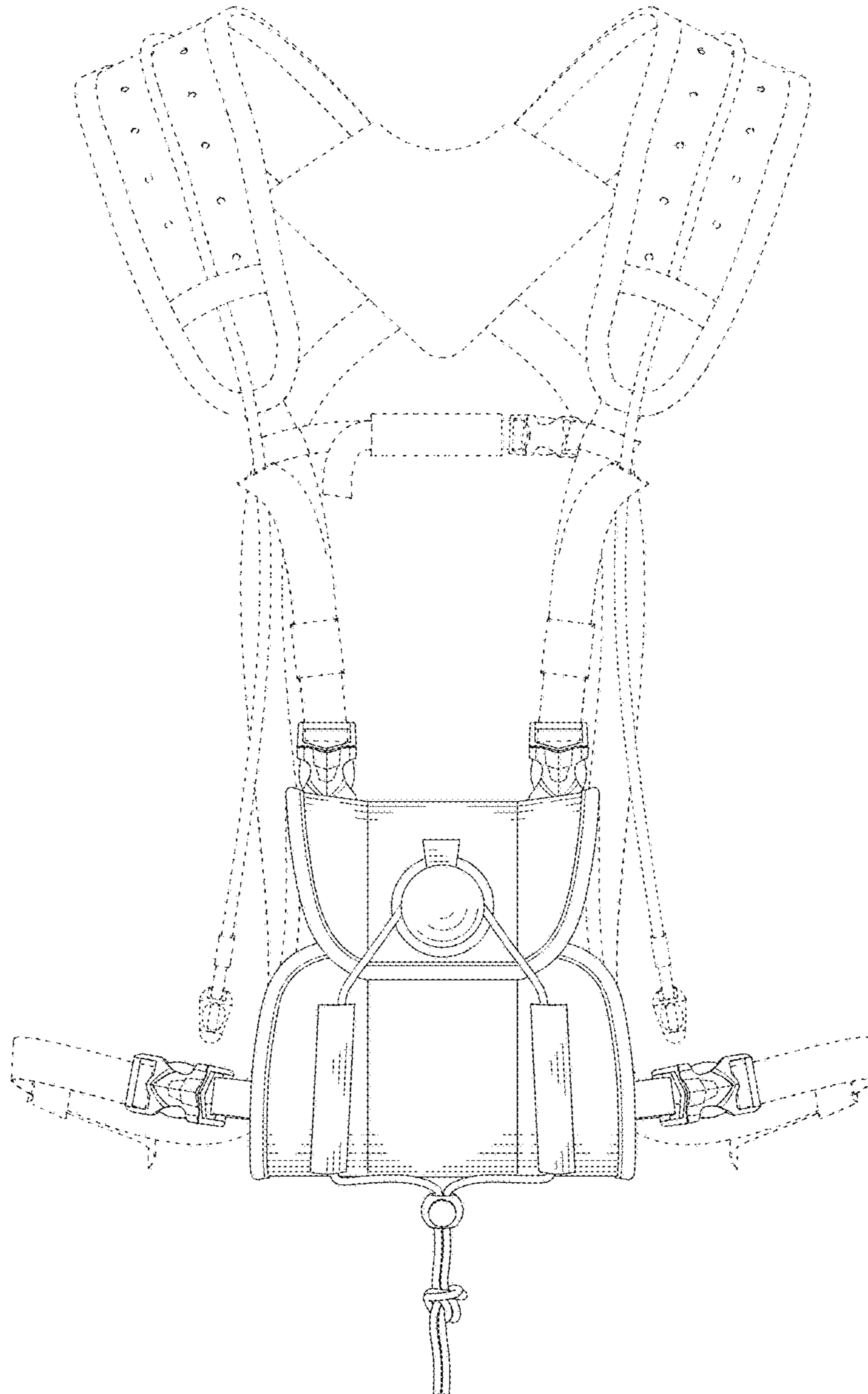


FIG. 2

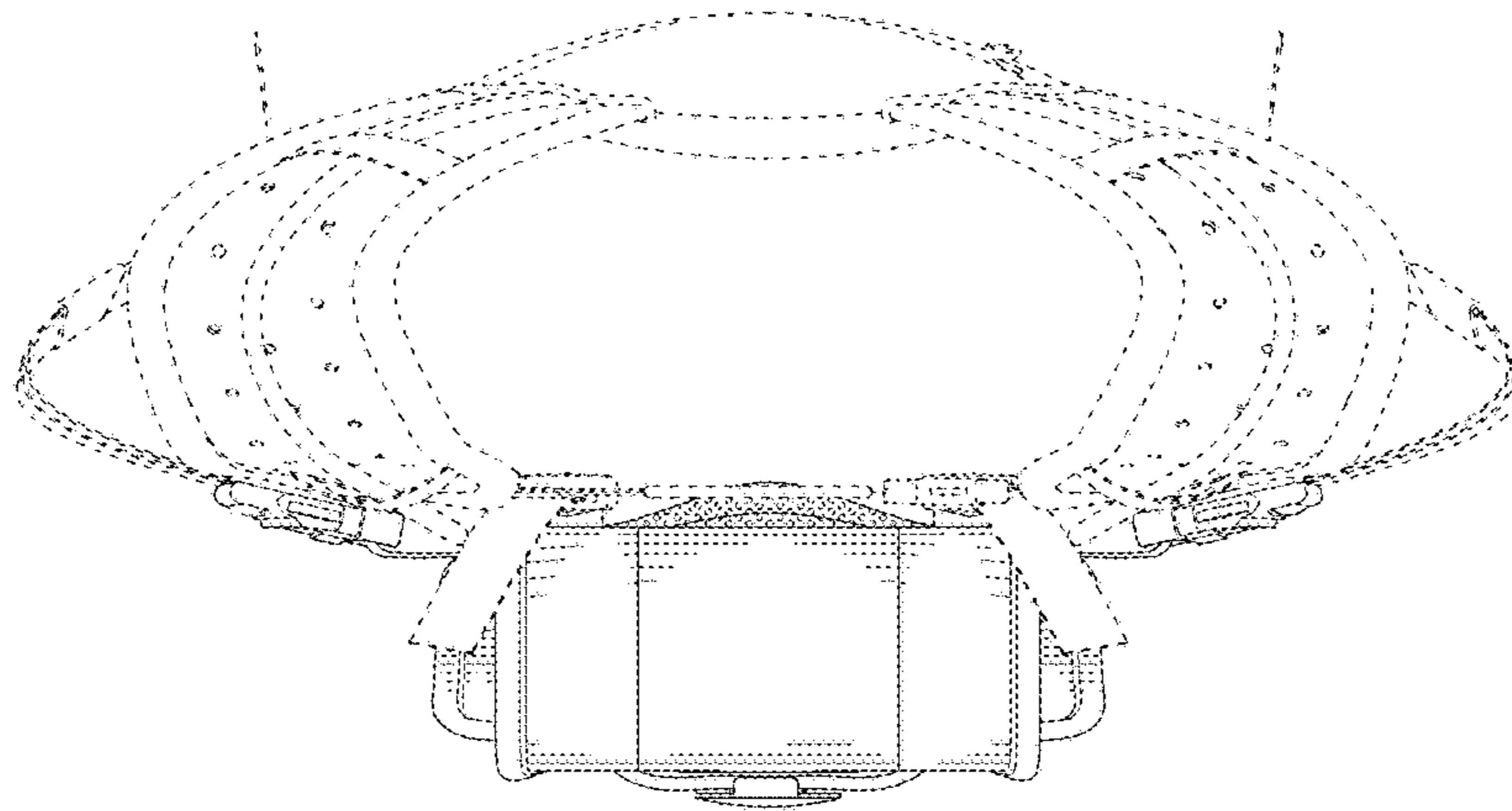


FIG. 3

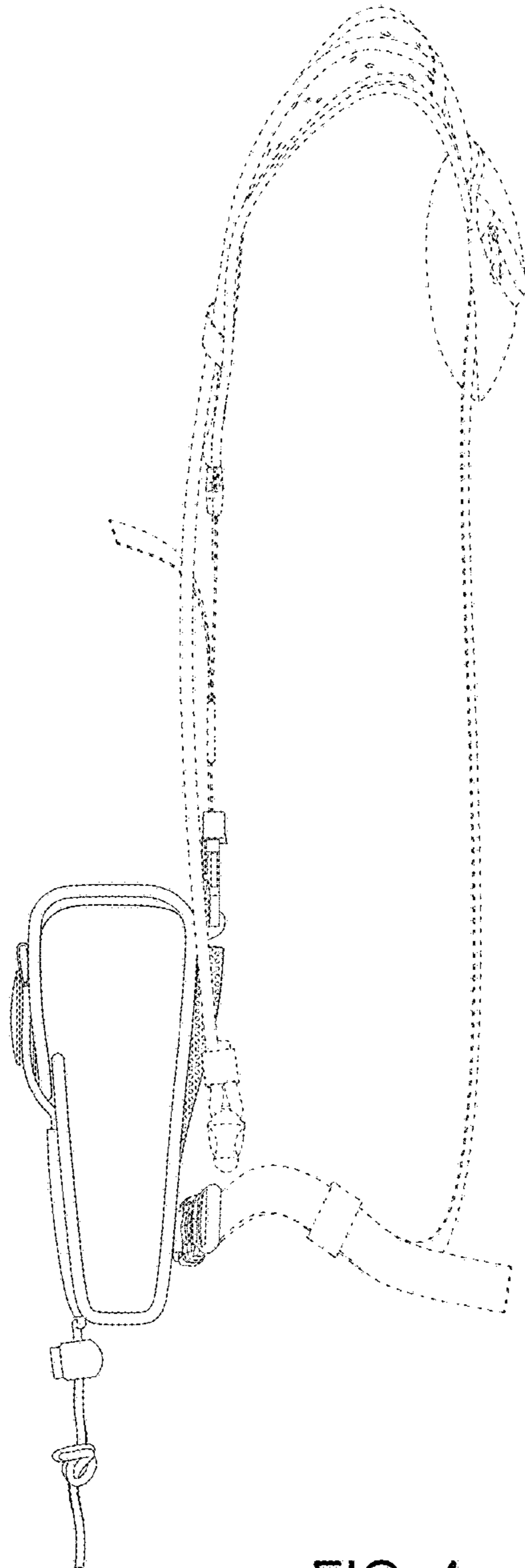


FIG. 4

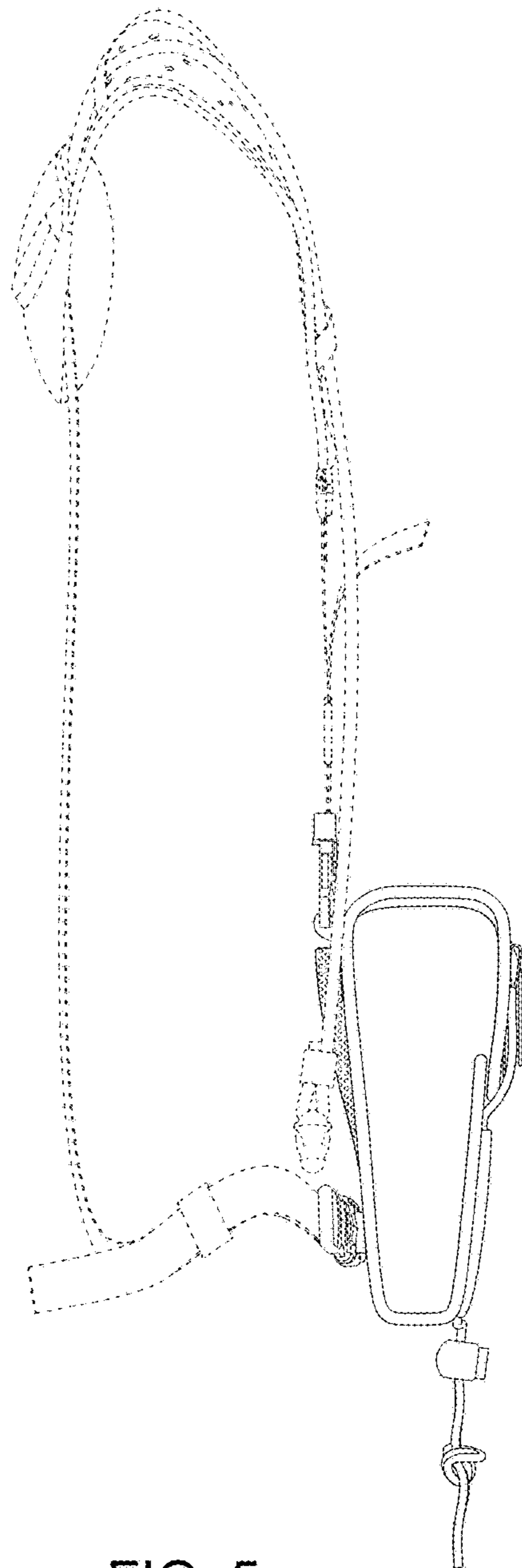


FIG. 5

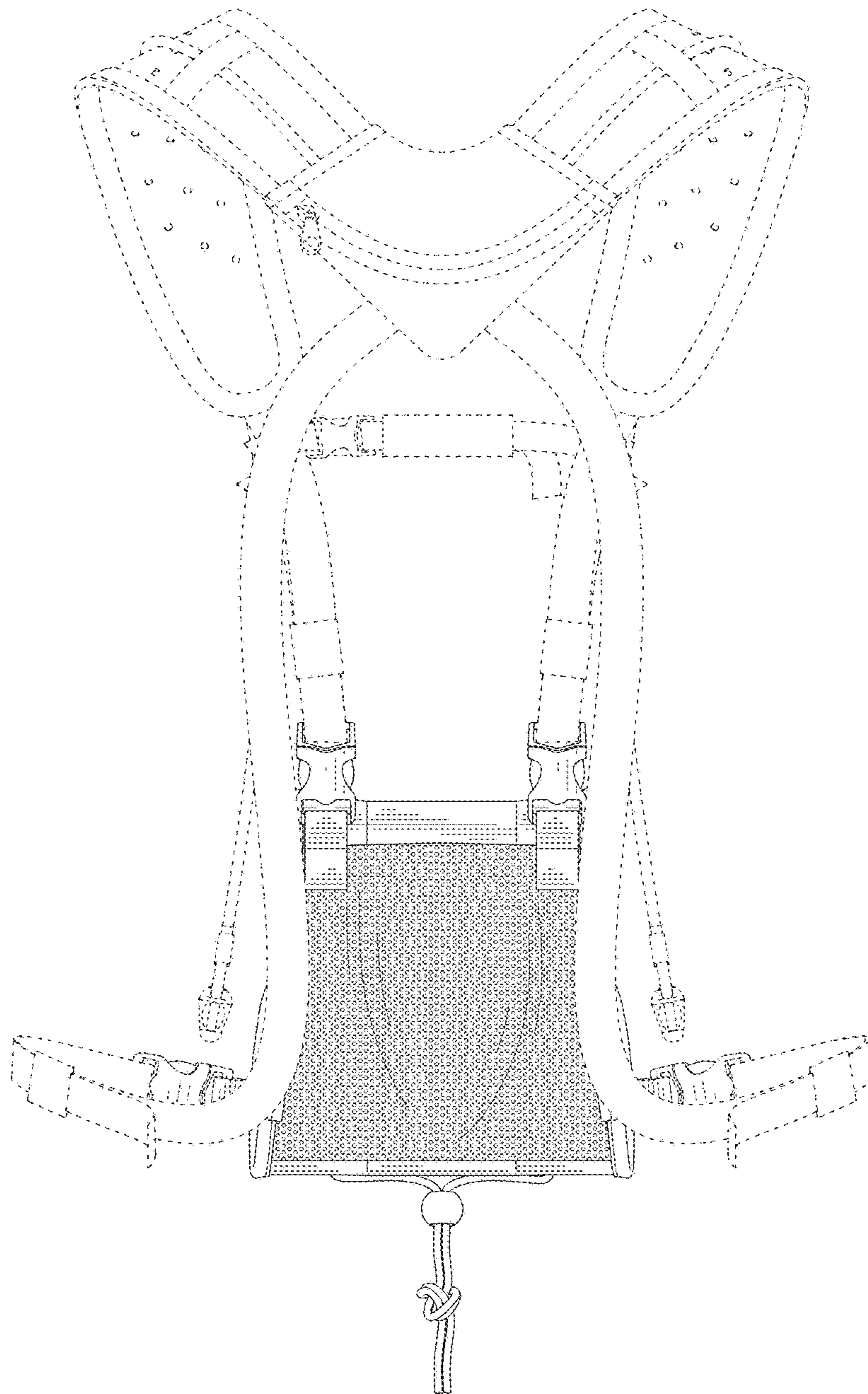


FIG. 6

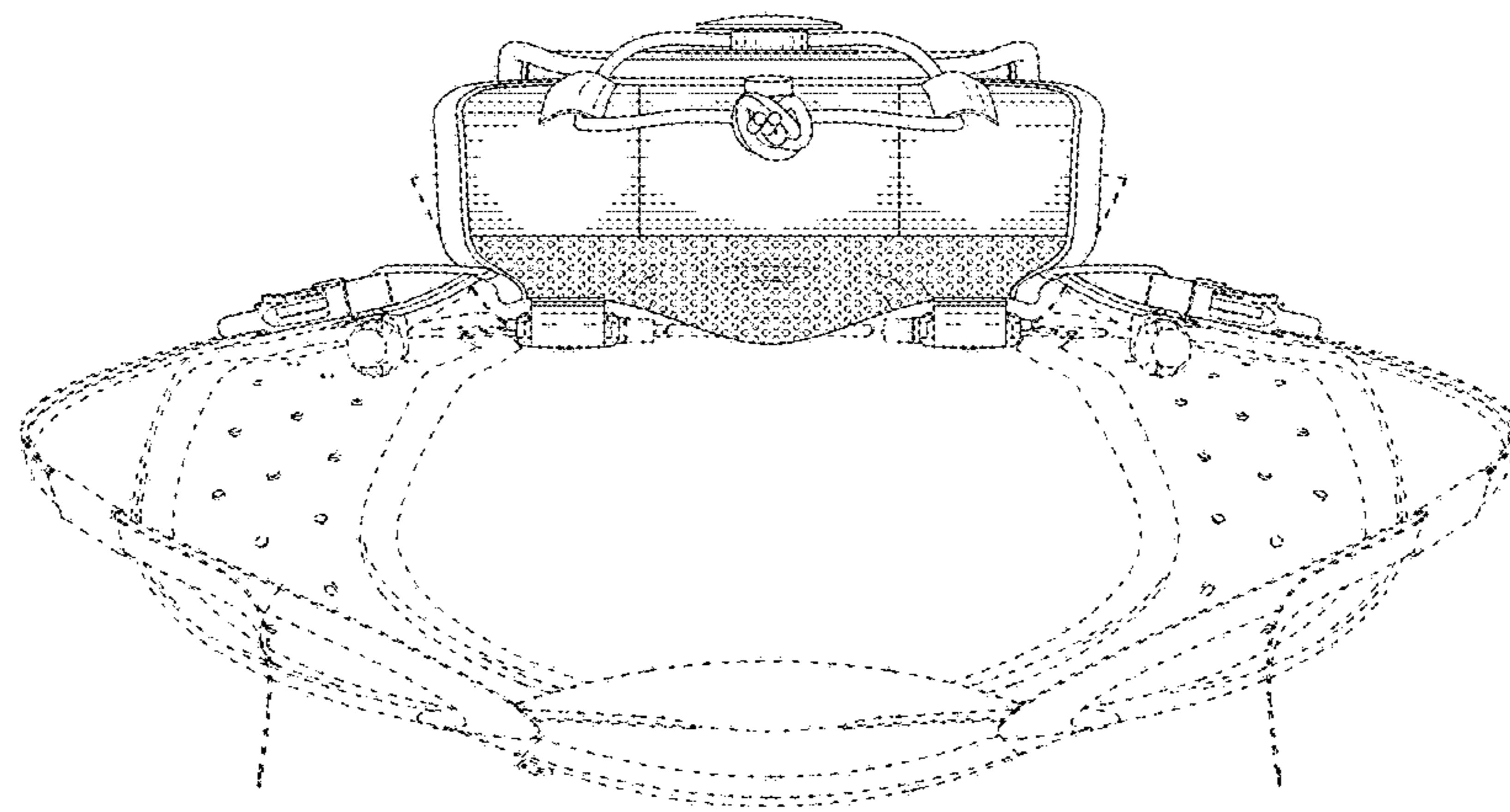


FIG. 7

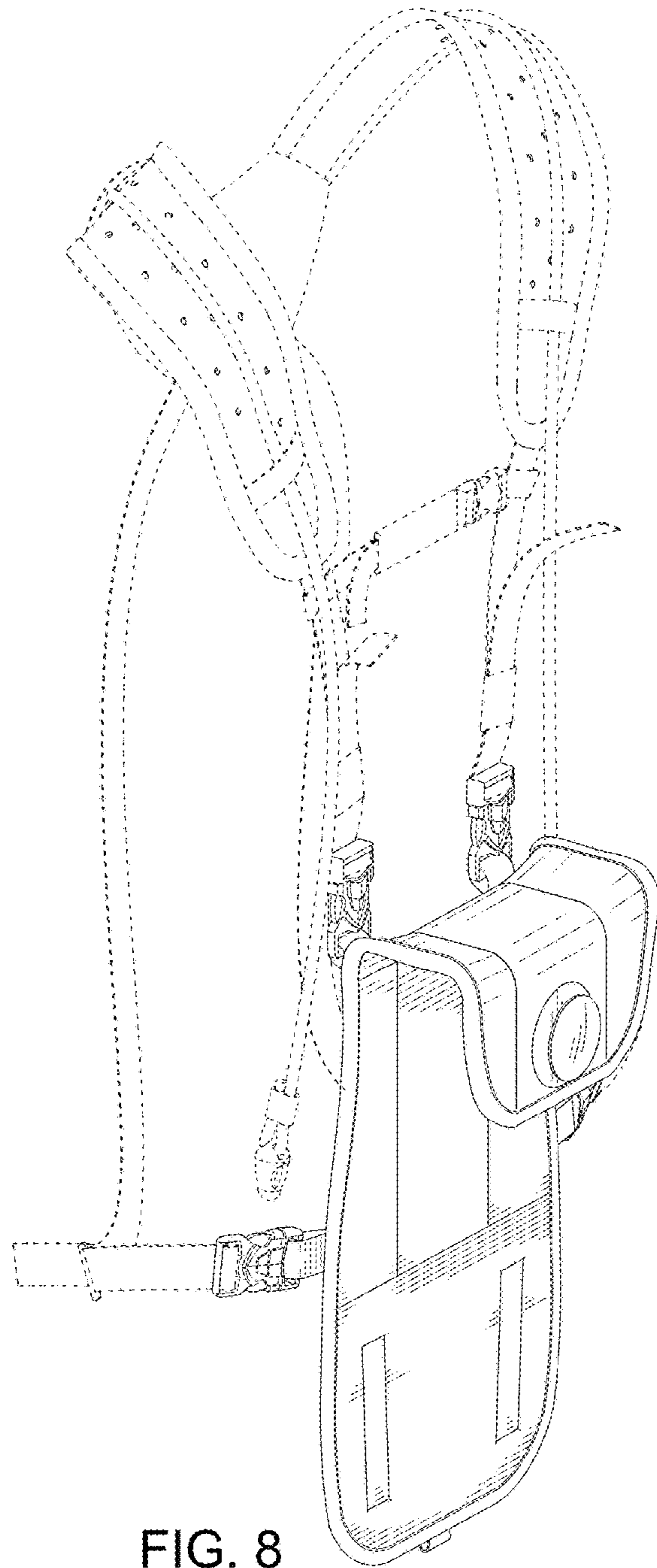


FIG. 8