



US00D852492S

(12) **United States Design Patent** (10) **Patent No.:** **US D852,492 S**  
**Anderson** (45) **Date of Patent:** **\*\* Jul. 2, 2019**

(54) **ROPE BAG**

(57) **CLAIM**

(71) Applicant: **Anderson Rescue Solutions, LLC**,  
Glenside, PA (US)

The ornamental design for a rope bag, as shown and described.

(72) Inventor: **Timothy Anderson**, Glenside, PA (US)

(73) Assignee: **ANDERSON RESCUE SOLUTIONS, LLC**, Glenside, PA (US)

**DESCRIPTION**

(\*\*) Term: **15 Years**

(21) Appl. No.: **29/599,275**

(22) Filed: **Mar. 31, 2017**

(51) **LOC (11) Cl.** ..... **03-01**

(52) **U.S. Cl.**  
USPC ..... **D3/217; D3/290**

(58) **Field of Classification Search**  
USPC ..... D3/205, 216, 217, 243, 254, 273, 276,  
D3/277, 283, 287, 289, 290, 304, 306,  
D3/309, 900, 902, 904

(Continued)

(56) **References Cited**

**U.S. PATENT DOCUMENTS**

D307,811 S \* 5/1990 Branco ..... D3/289  
D389,642 S \* 1/1998 Nadel ..... D3/254  
(Continued)

**OTHER PUBLICATIONS**

Anderson Rescue Solutions, "Breakout Rope Bag", First cached on web.archive.org on Jan. 15, 2017. (<http://andersonrescue.com/main/products/#!/Breakout-Rope-Bag/p/83289708/category=23222084>) (Year: 2017).\*

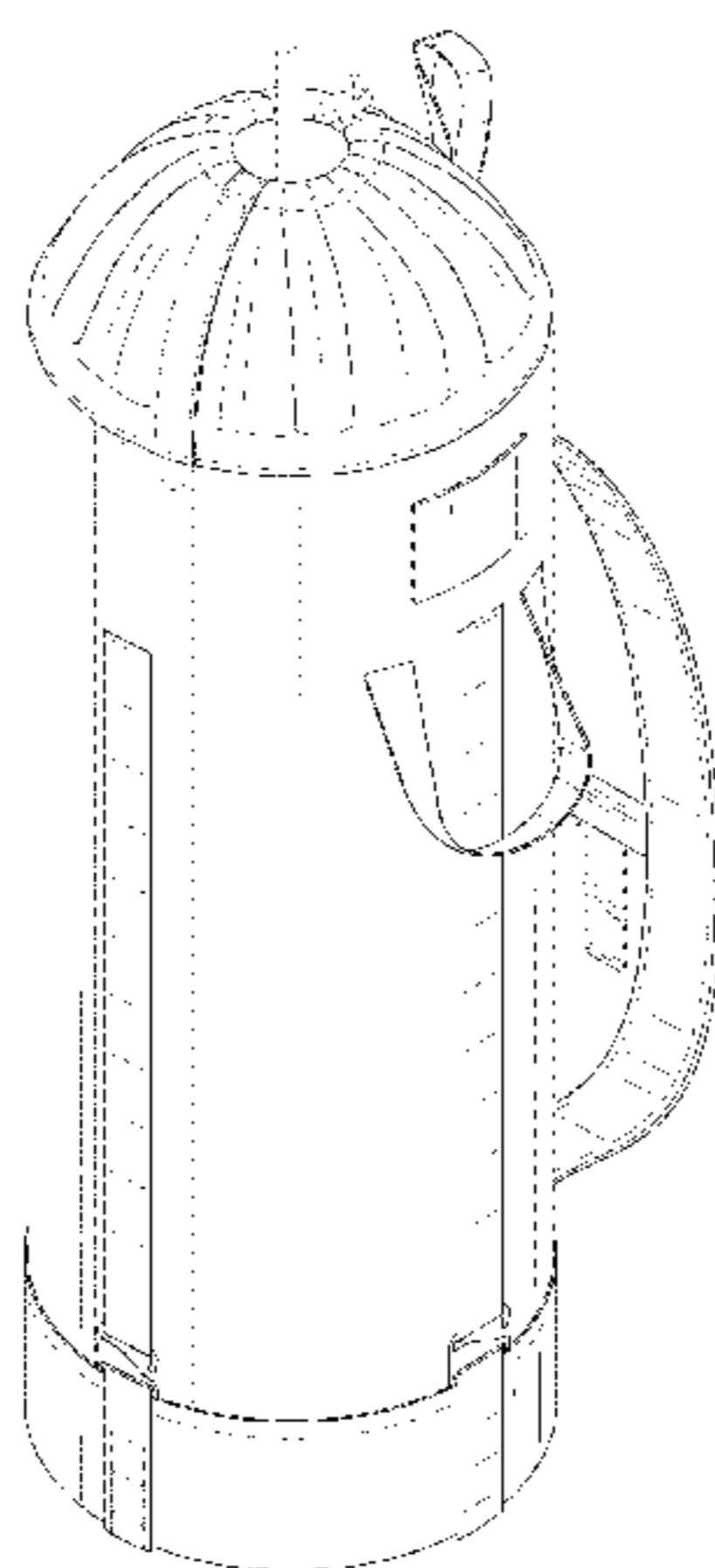
(Continued)

*Primary Examiner* — Jennifer Rivard  
*Assistant Examiner* — April Rivas

(74) *Attorney, Agent, or Firm* — Morgan, Lewis & Bockius LLP

FIG. 1 is a front perspective view of my rope bag design; FIG. 2 is a front elevational view of the rope bag shown in FIG. 1; FIG. 3 is a rear elevational view of the rope bag shown in FIG. 1; FIG. 4 is a right-side elevational view of the rope bag shown in FIG. 1; FIG. 5 is a left-side elevational view of the rope bag shown in FIG. 1; FIG. 6 is a top plan view of the rope bag shown in FIG. 1; FIG. 7 is a bottom plan view of the rope bag shown in FIG. 1; FIG. 8 is a front perspective view of the rope bag of FIG. 1 with the bottom cover in an open configuration; FIG. 9 is a front elevational view of the rope bag shown in FIG. 8; FIG. 10 is a rear elevational view of the rope bag shown in FIG. 8; FIG. 11 is a right-side elevational view of the rope bag shown in FIG. 8; FIG. 12 is a left-side elevational view of the rope bag shown in FIG. 8; FIG. 13 is a top plan view of the rope bag shown in FIG. 8; FIG. 14 is a bottom plan view of the rope bag shown in FIG. 8; FIG. 15 is a front elevational view the rope bag shown in FIG. 1, with the top and bottom cover opened; FIG. 16 is a front elevational view the rope bag shown in FIG. 15, with the flap shown open; FIG. 17 is a bottom plan view of the rope bag of FIG. 1 in an unassembled configuration; and, FIG. 18 is a top plan view of the rope bag shown in FIG. 17. The dashed (--) broken lines represent the bounds of the claimed design. The dash dot (-.-) broken lines represent stitching. The dashed (--) broken lines showing a rope

(Continued)



through the center of the rope bag illustrate environment.  
None of the broken lines form part of the claimed design.

**1 Claim, 18 Drawing Sheets**

(58) **Field of Classification Search**

CPC ..... A45C 3/001; A45C 2003/002; A45C  
2003/008; A45C 2003/007; A45C 5/005;  
A45C 11/20

See application file for complete search history.

(56)

**References Cited**

U.S. PATENT DOCUMENTS

D424,926 S \* 5/2000 Bergh ..... D12/415  
D520,136 S \* 5/2006 Keller ..... D24/131  
D622,504 S \* 8/2010 Lion ..... D3/276  
D670,079 S \* 11/2012 Menon ..... D3/290

D671,744 S \* 12/2012 Lang ..... D3/290  
D678,673 S \* 3/2013 Funkner ..... D3/254  
D699,031 S \* 2/2014 Clavette ..... D3/216  
D728,923 S \* 5/2015 Surplus ..... D3/216  
D740,565 S \* 10/2015 Ludeman ..... D3/290  
D763,573 S \* 8/2016 Klein ..... D3/254  
D786,555 S \* 5/2017 Brungraber ..... D3/284  
D818,262 S \* 5/2018 Schofield ..... D3/217  
D822,378 S \* 7/2018 Franek ..... D3/216  
2008/0087564 A1 \* 4/2008 Ciccotelli ..... A62C 99/00  
206/388

OTHER PUBLICATIONS

Life Support International, "Fast rope Bag", Accessed Sep. 20, 2018. (<https://www.lifesupportintl.com/products/helicopter-short-haul/fast-rope-bag/>) (Year: 2018).\*

Blue Water Ropes, "#4 Rope Bag", Accessed Sep. 20, 2018. (<https://www.bluewaterropes.com/product/4-rope-bag-holds-300-of-716-or-250-of-12-rope/>) (Year: 2018).\*

\* cited by examiner

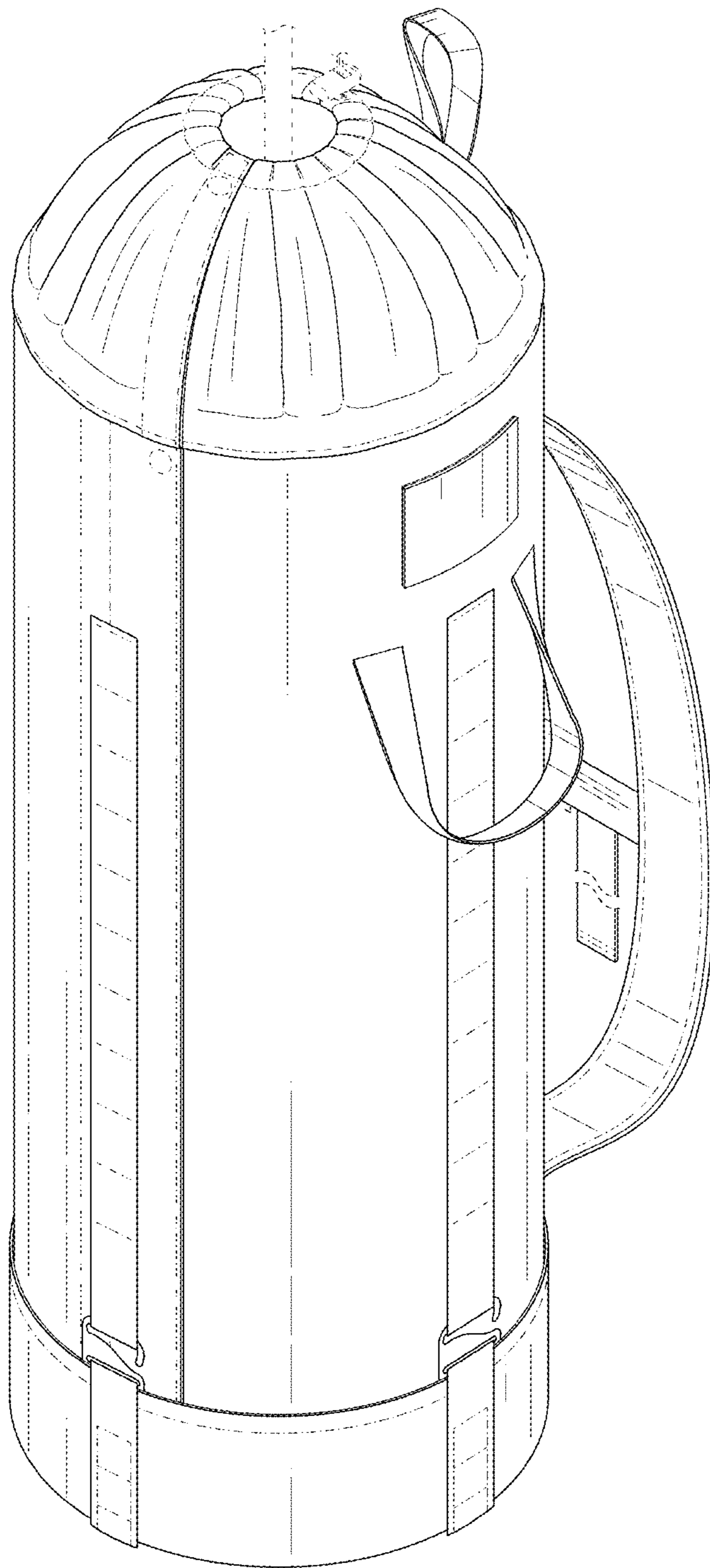


FIG. 1

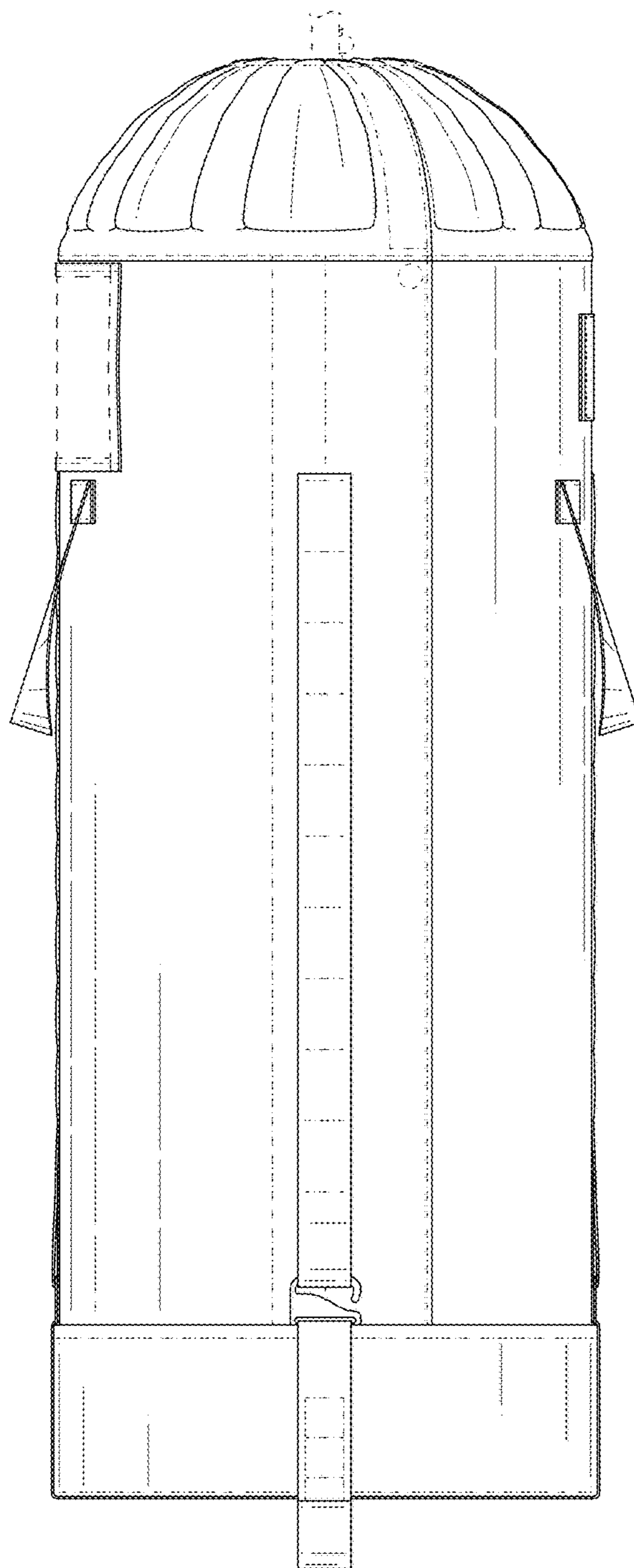


FIG. 2

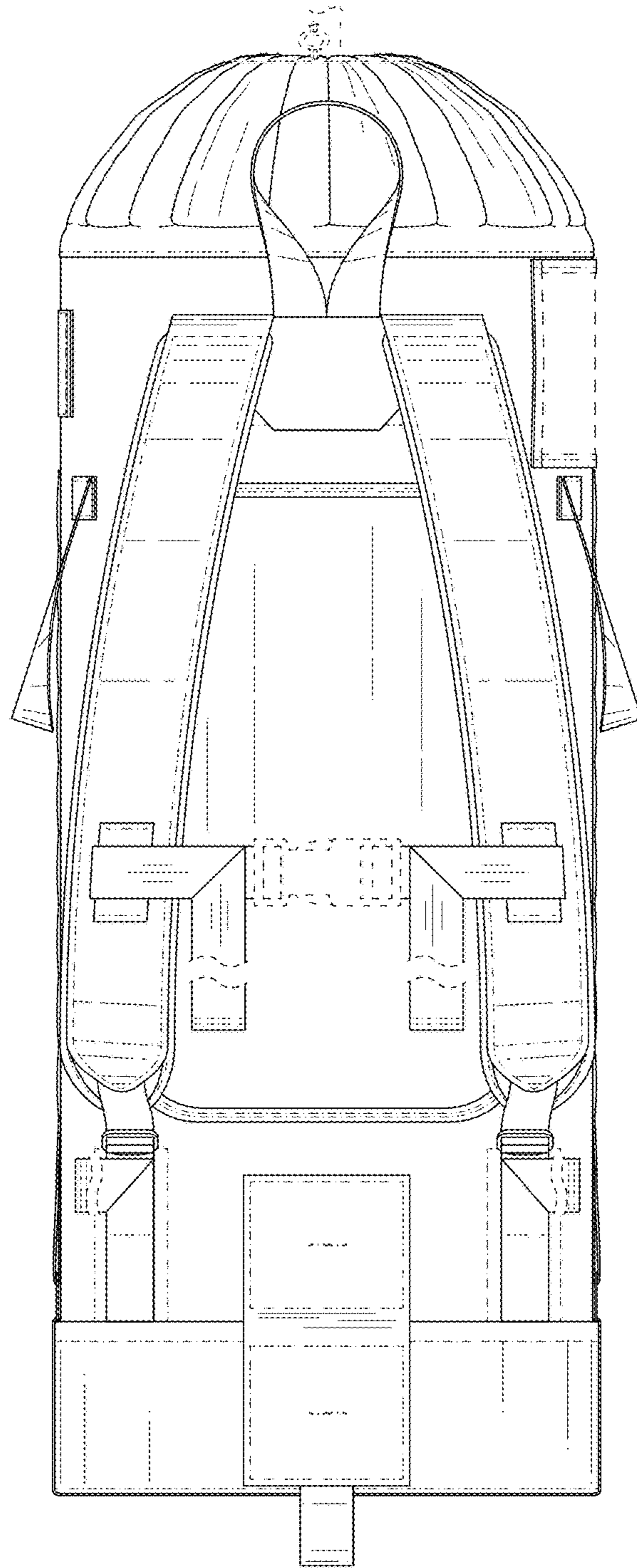


FIG. 3

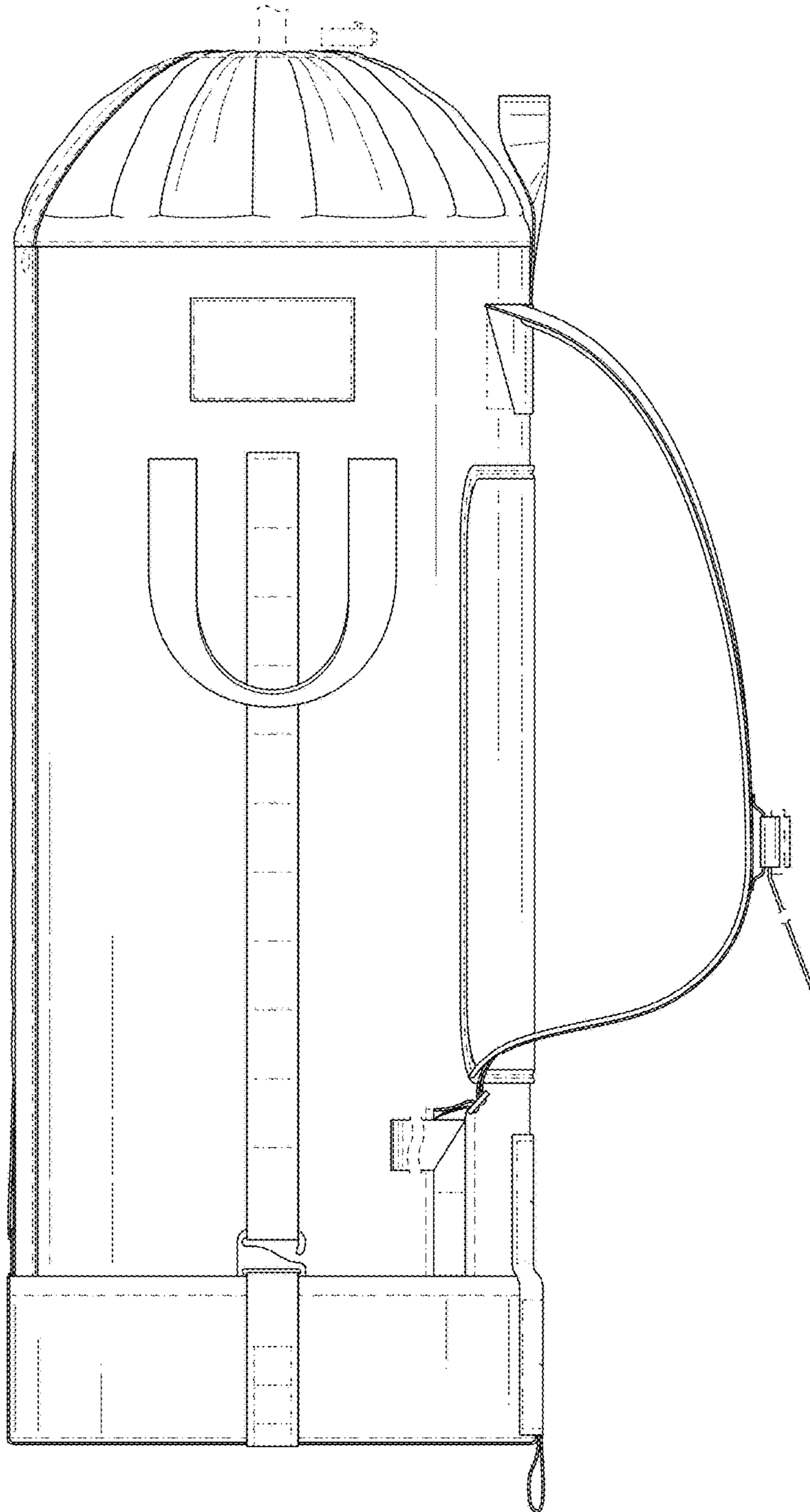


FIG. 4

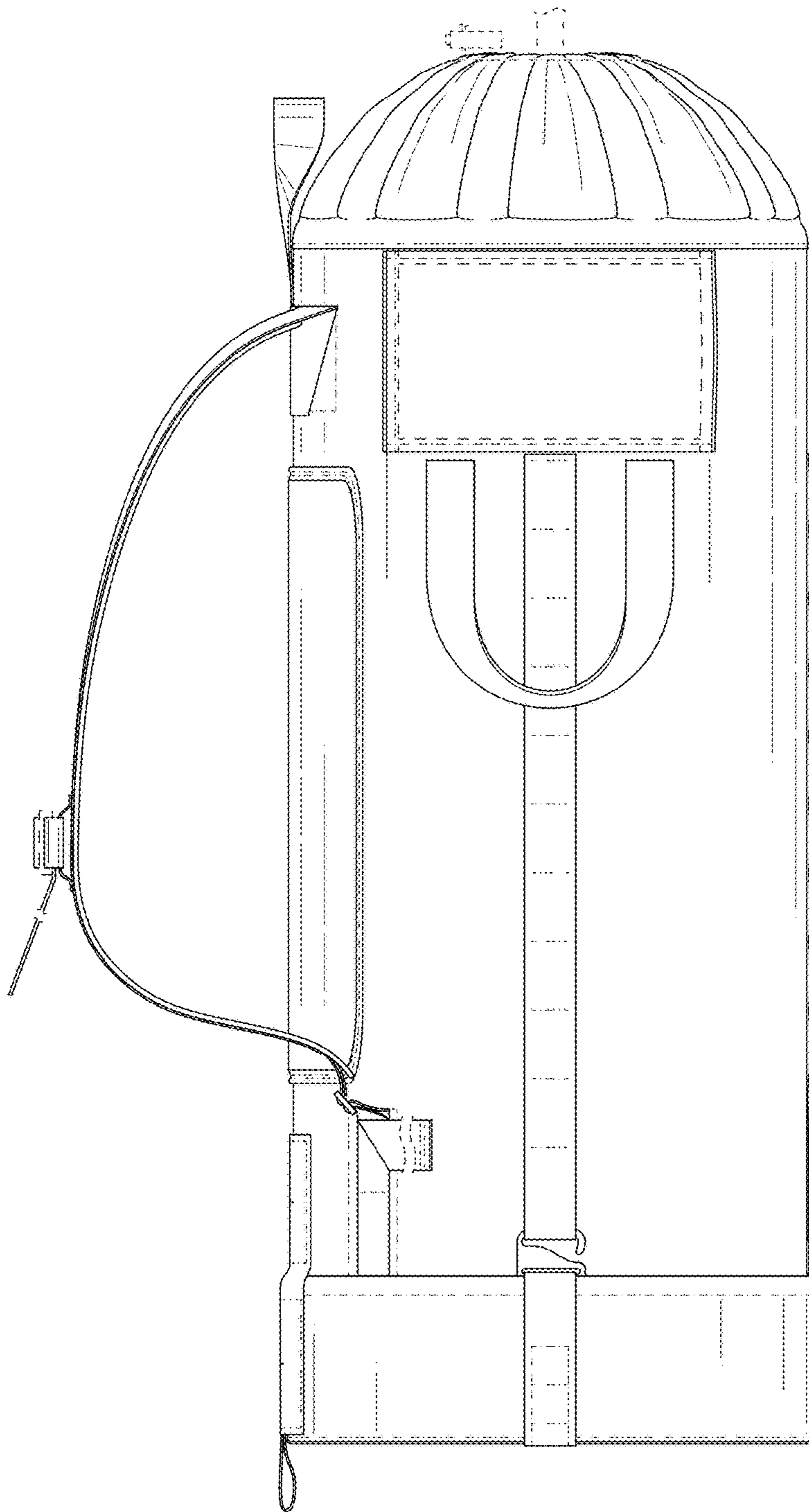


FIG. 5

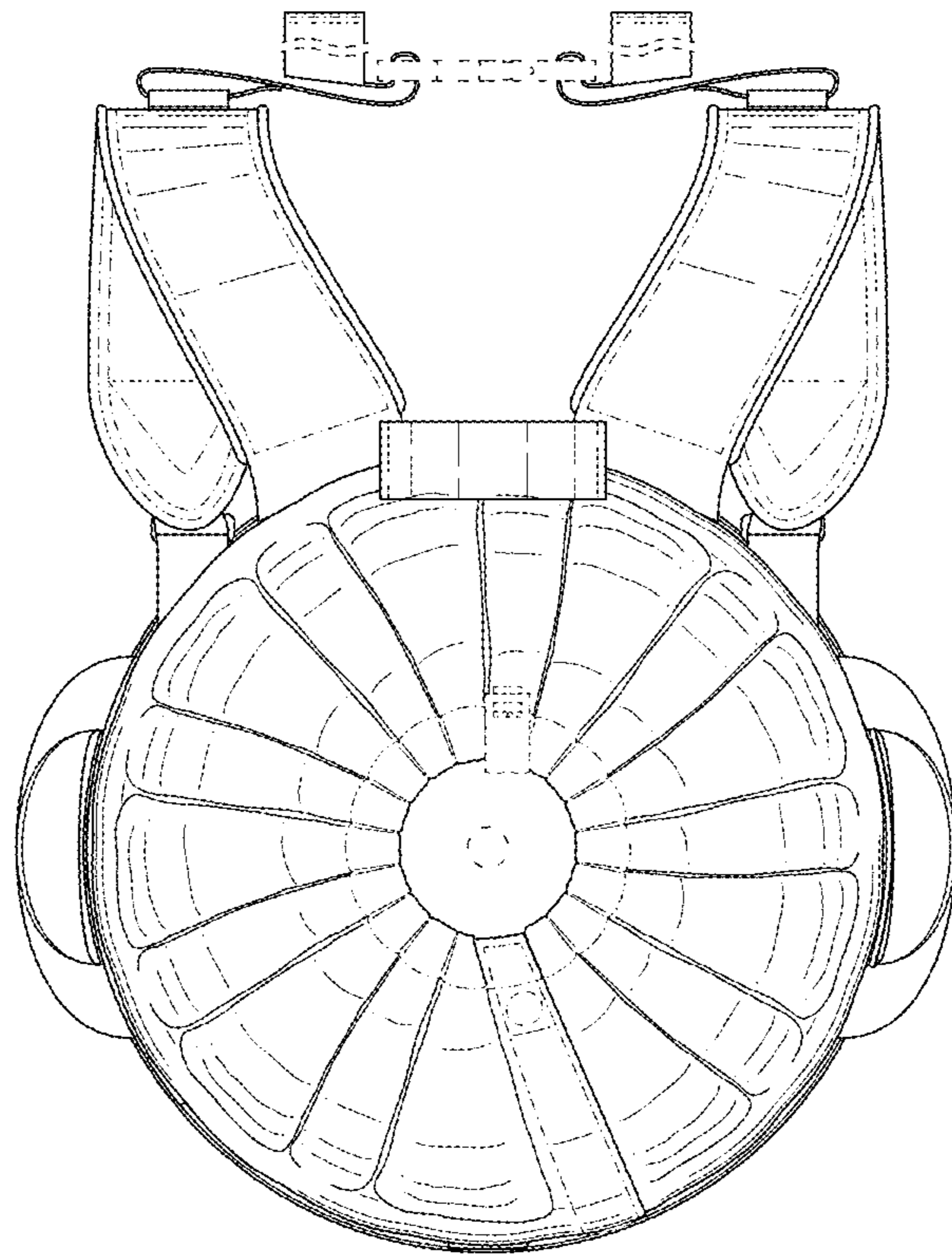


FIG. 6



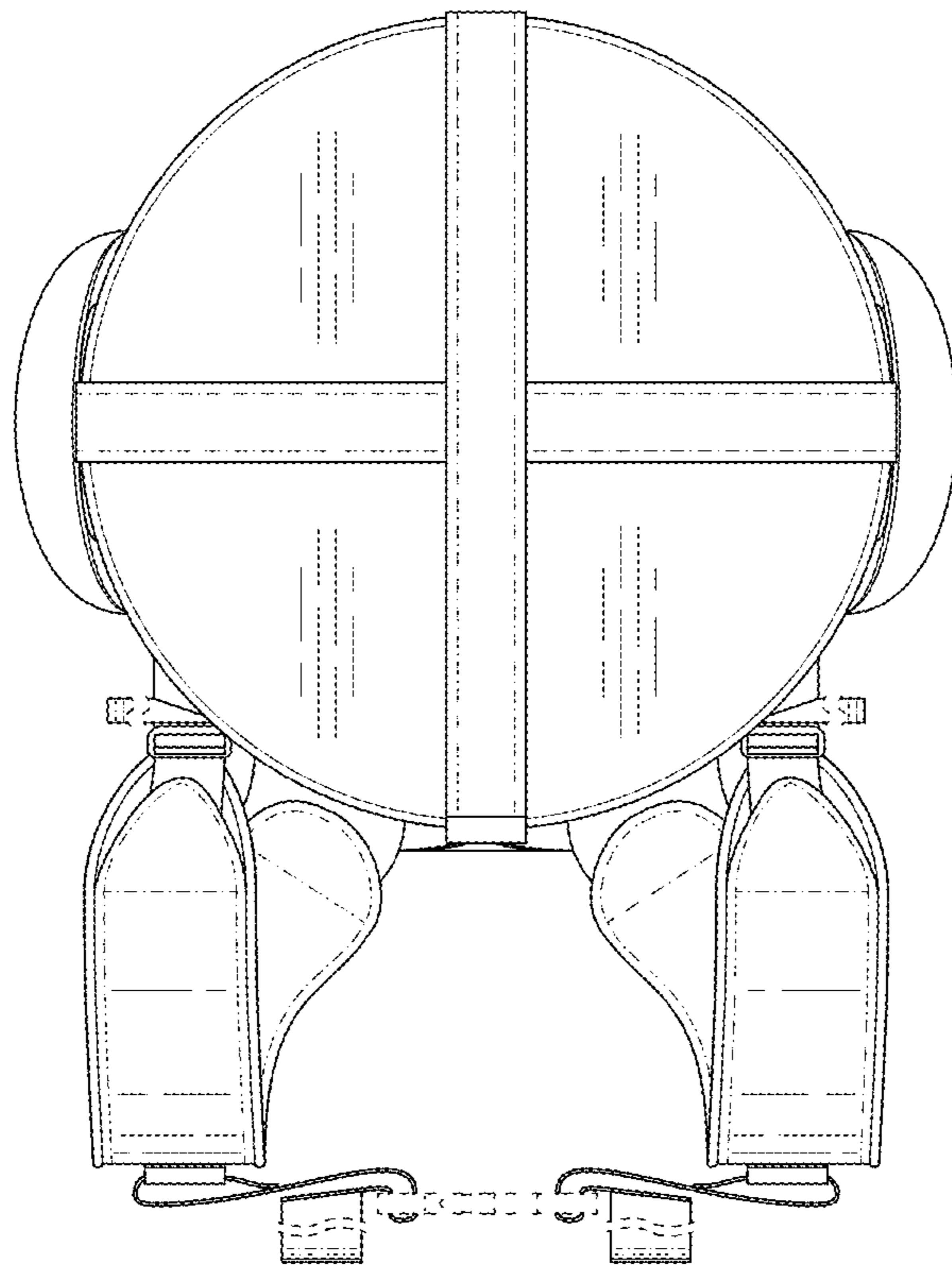


FIG. 7

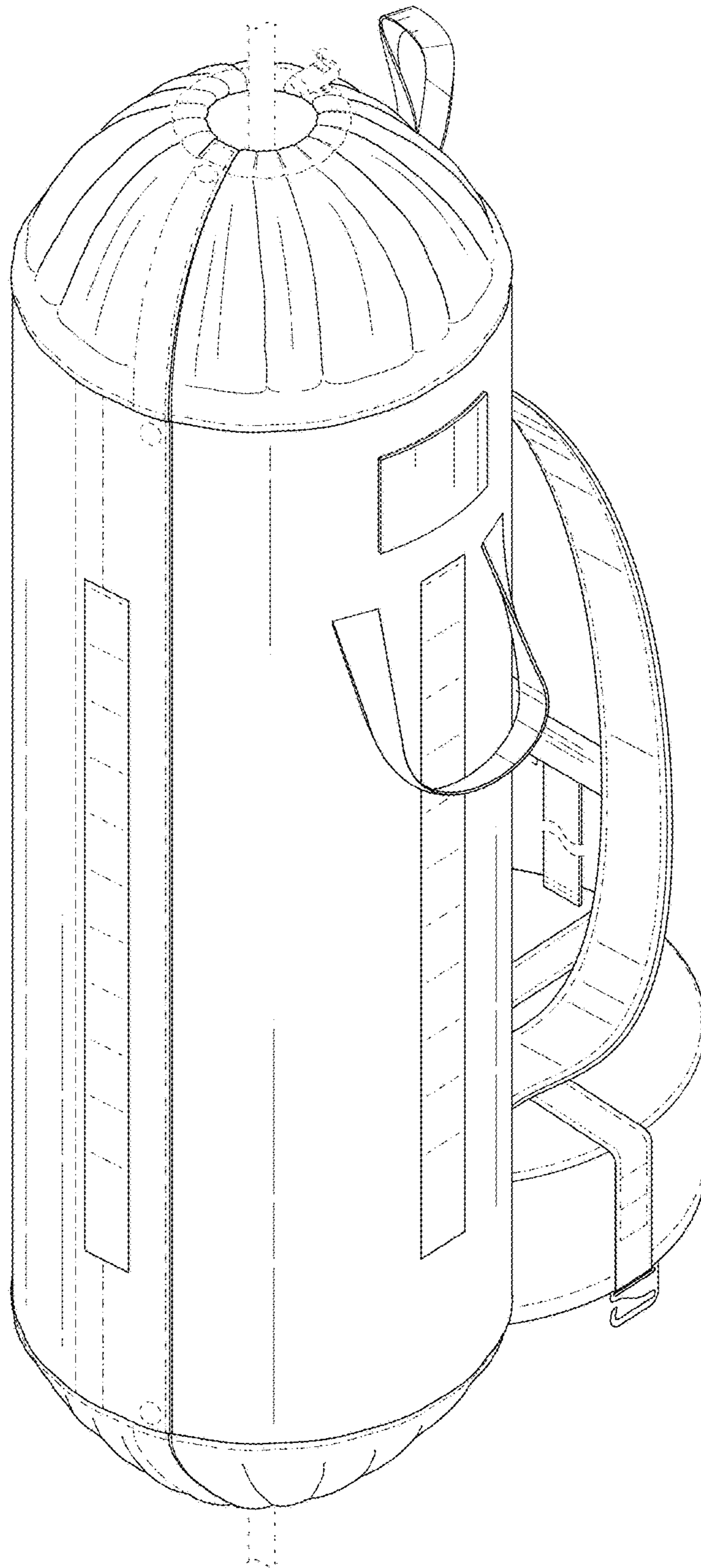


FIG. 8

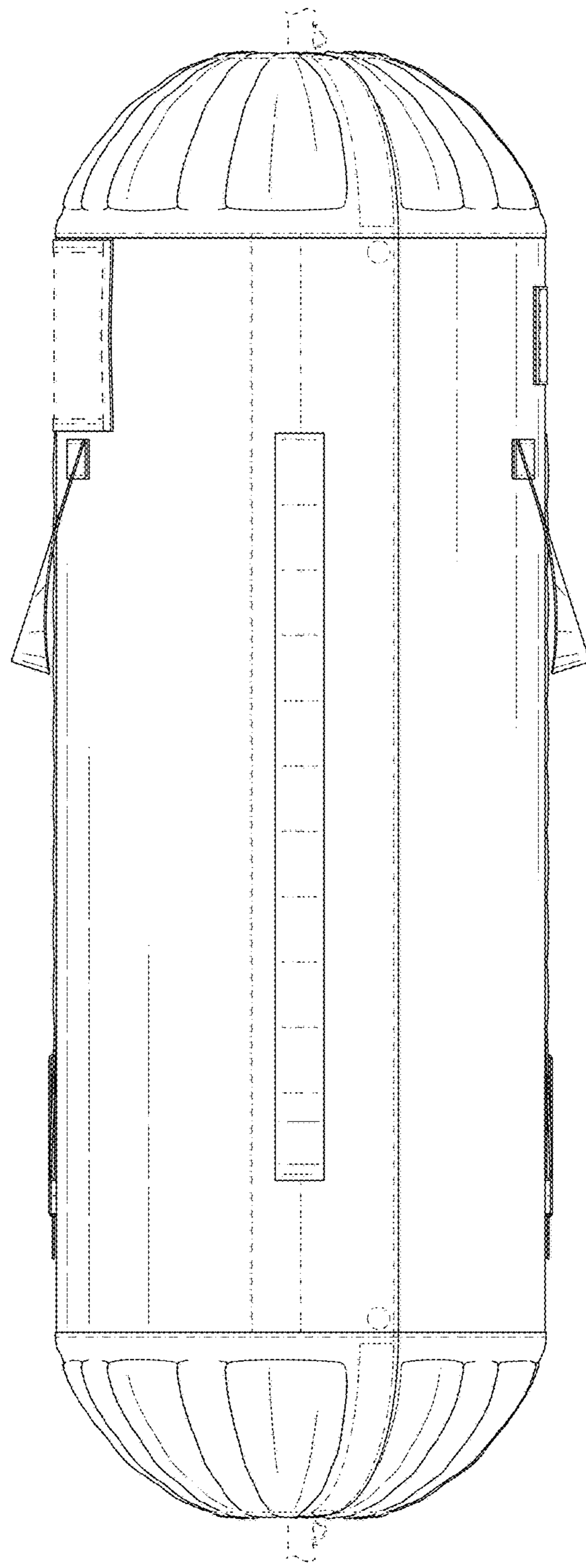


FIG. 9

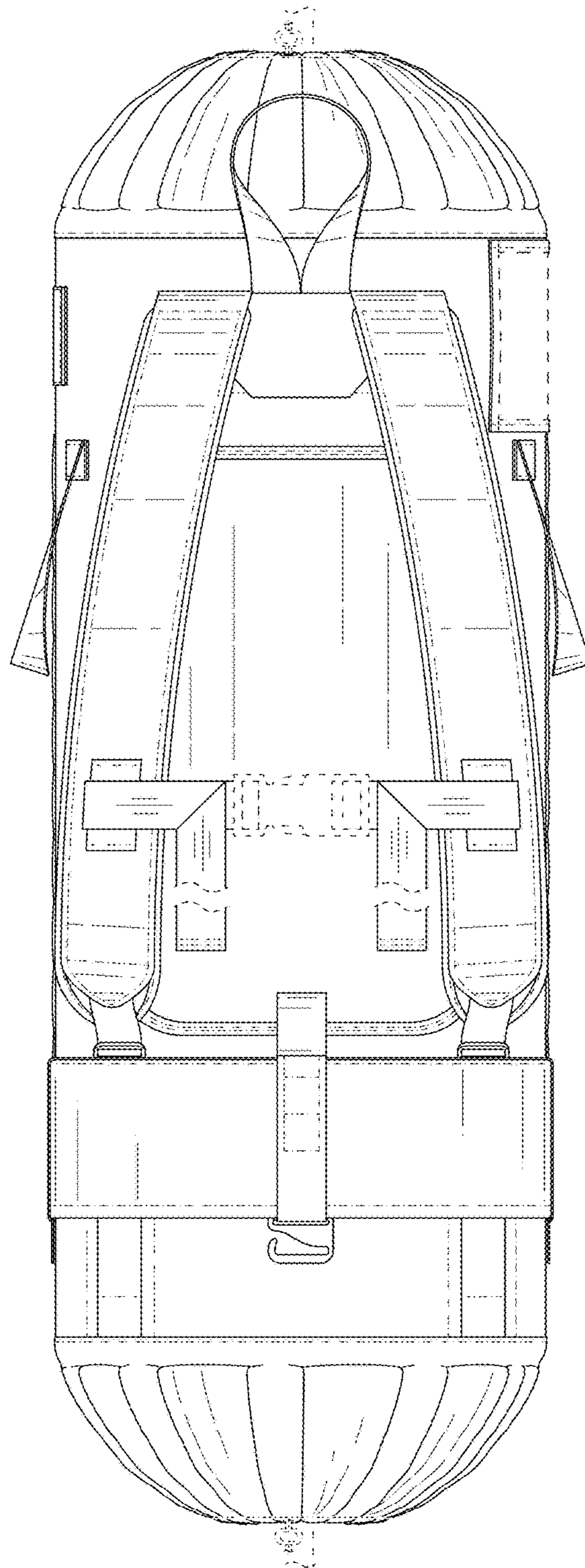


FIG. 10

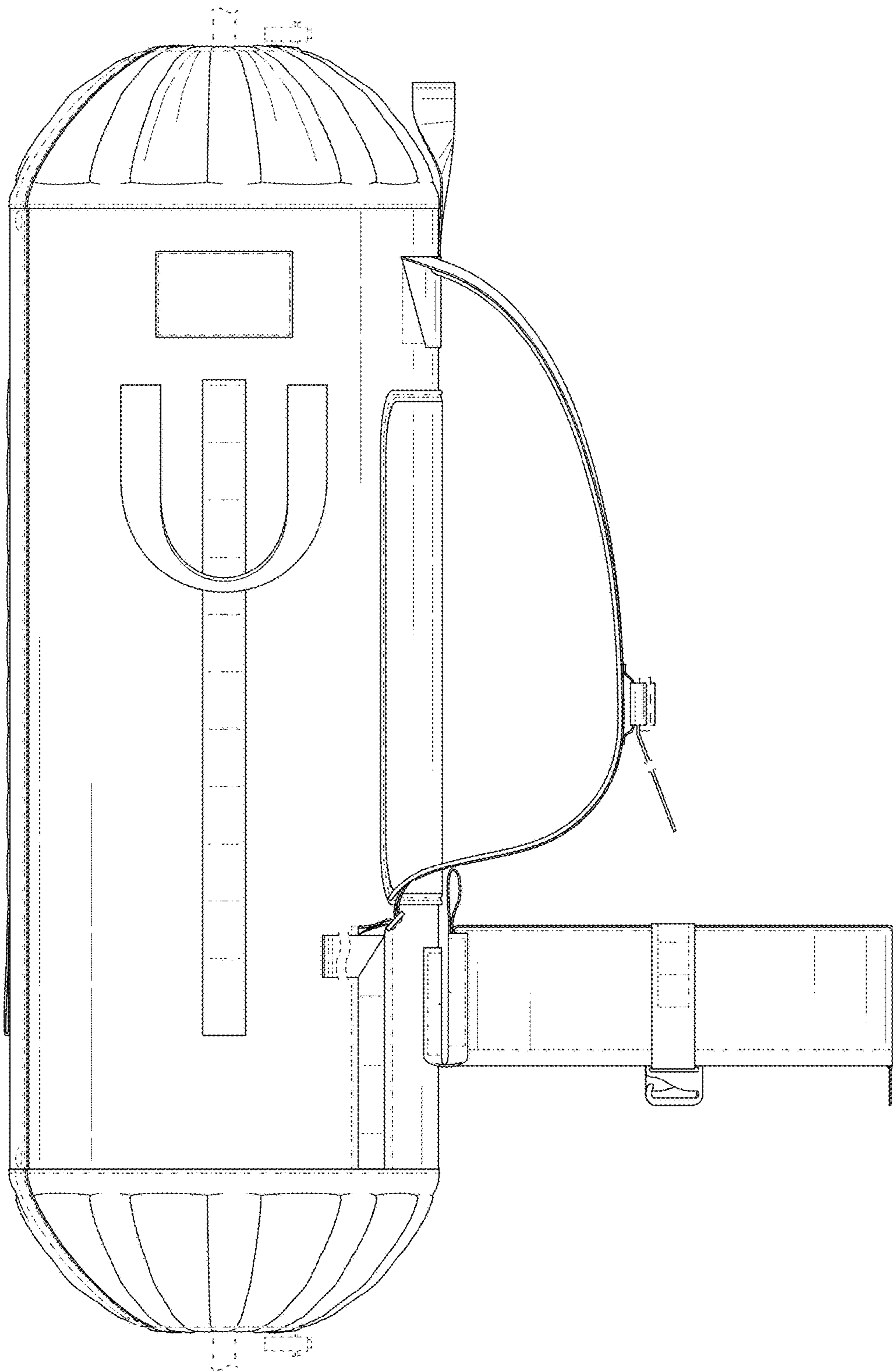


FIG. 11

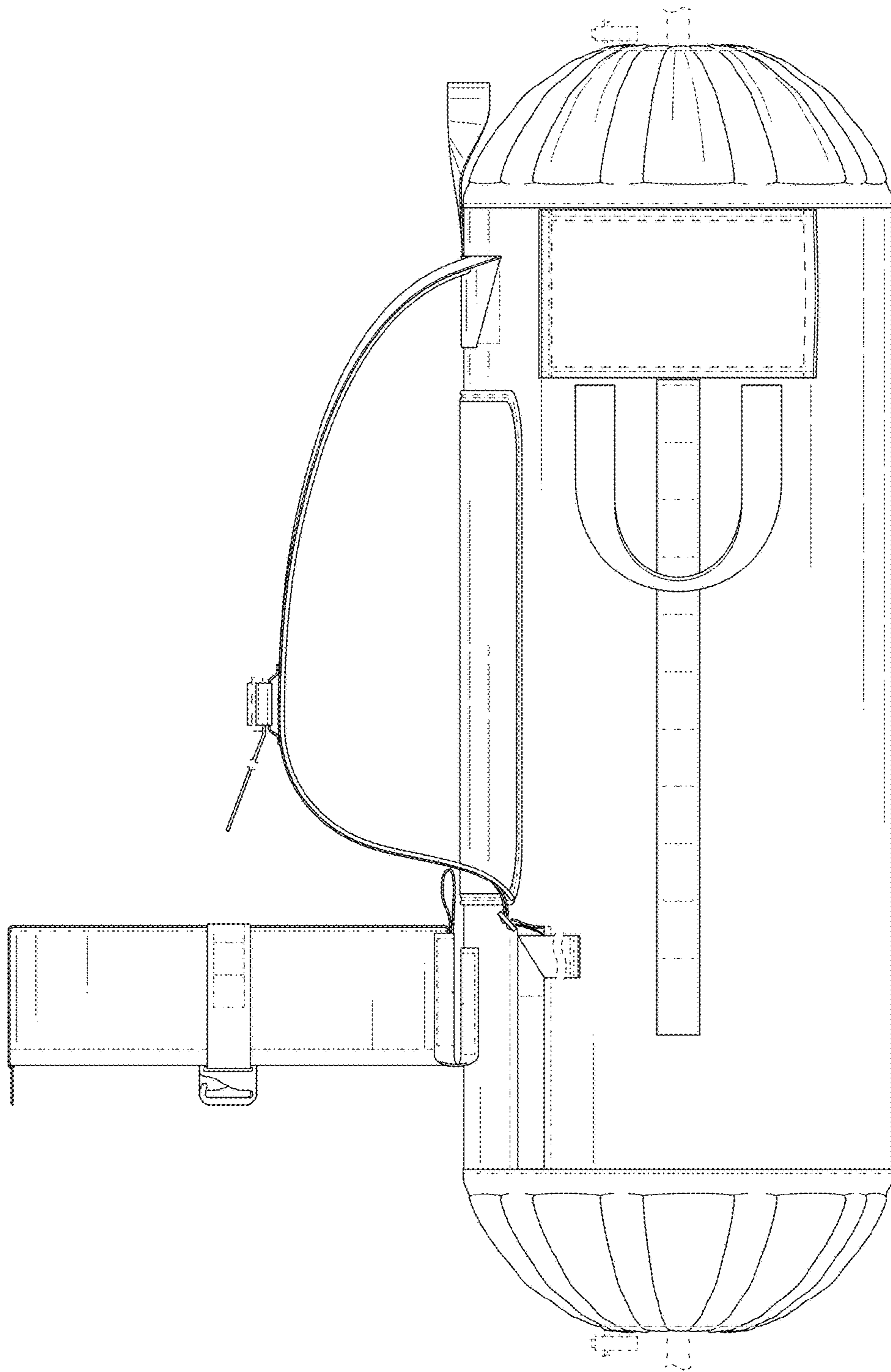


FIG. 12

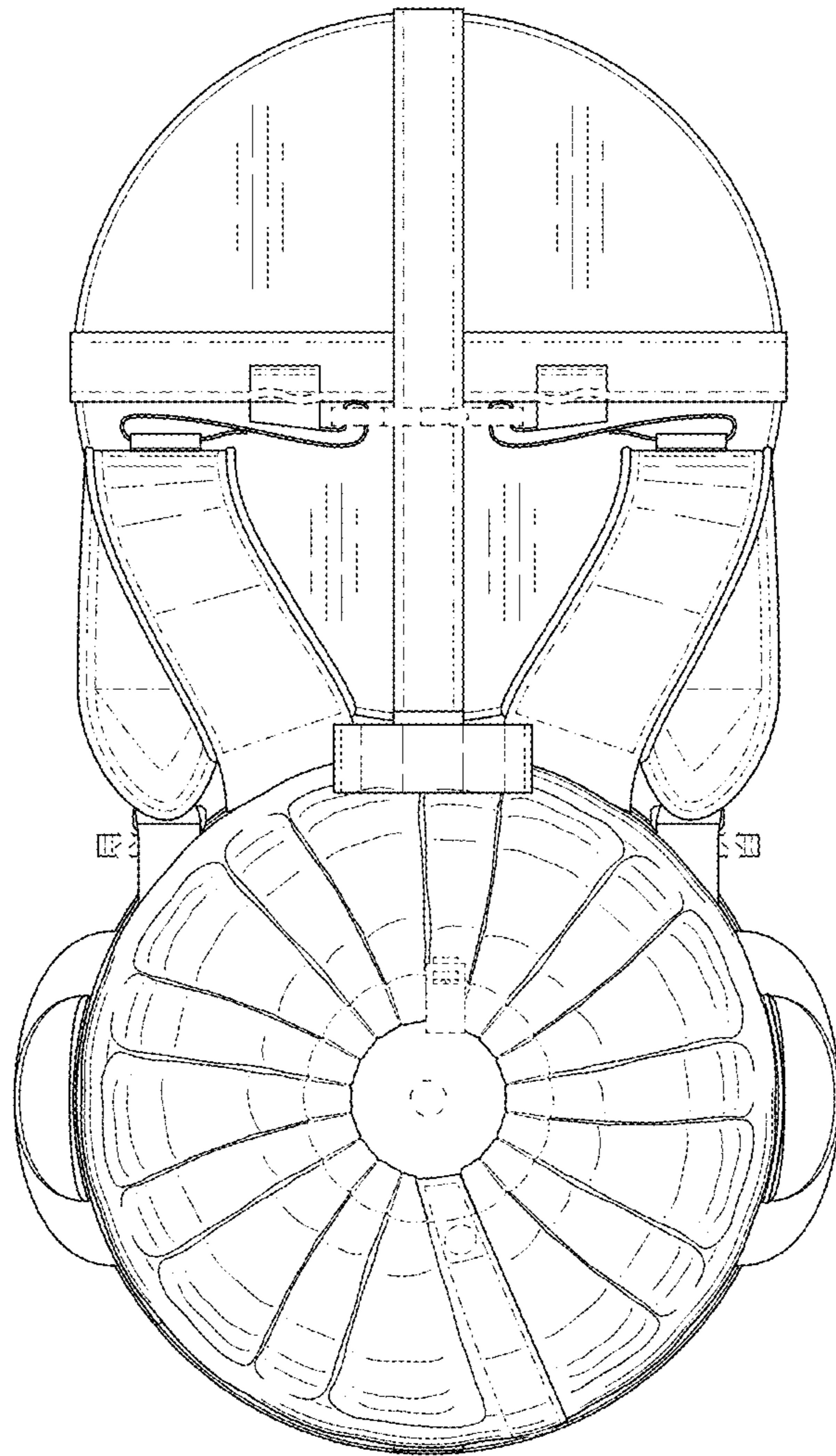


FIG. 13

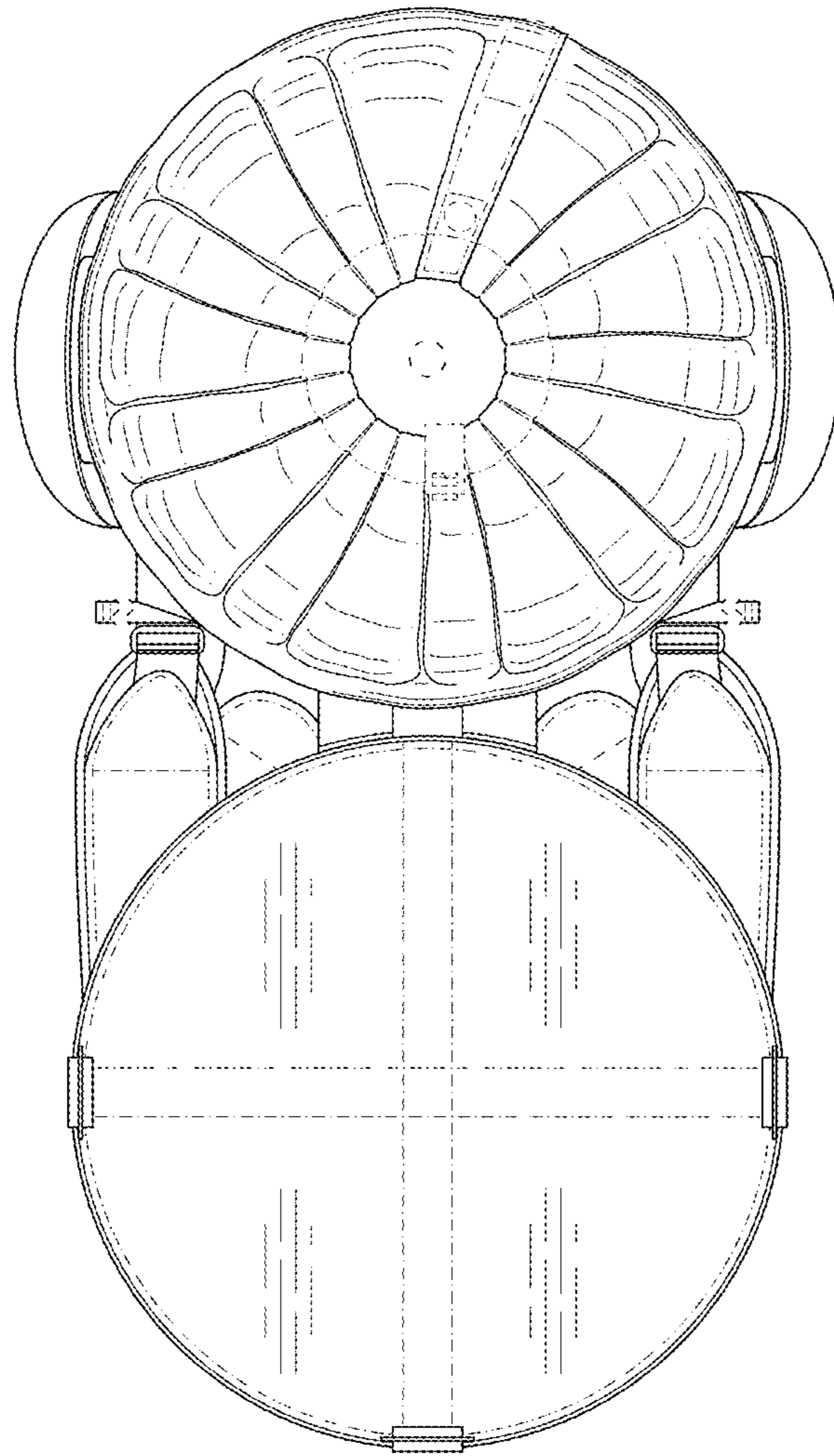


FIG. 14



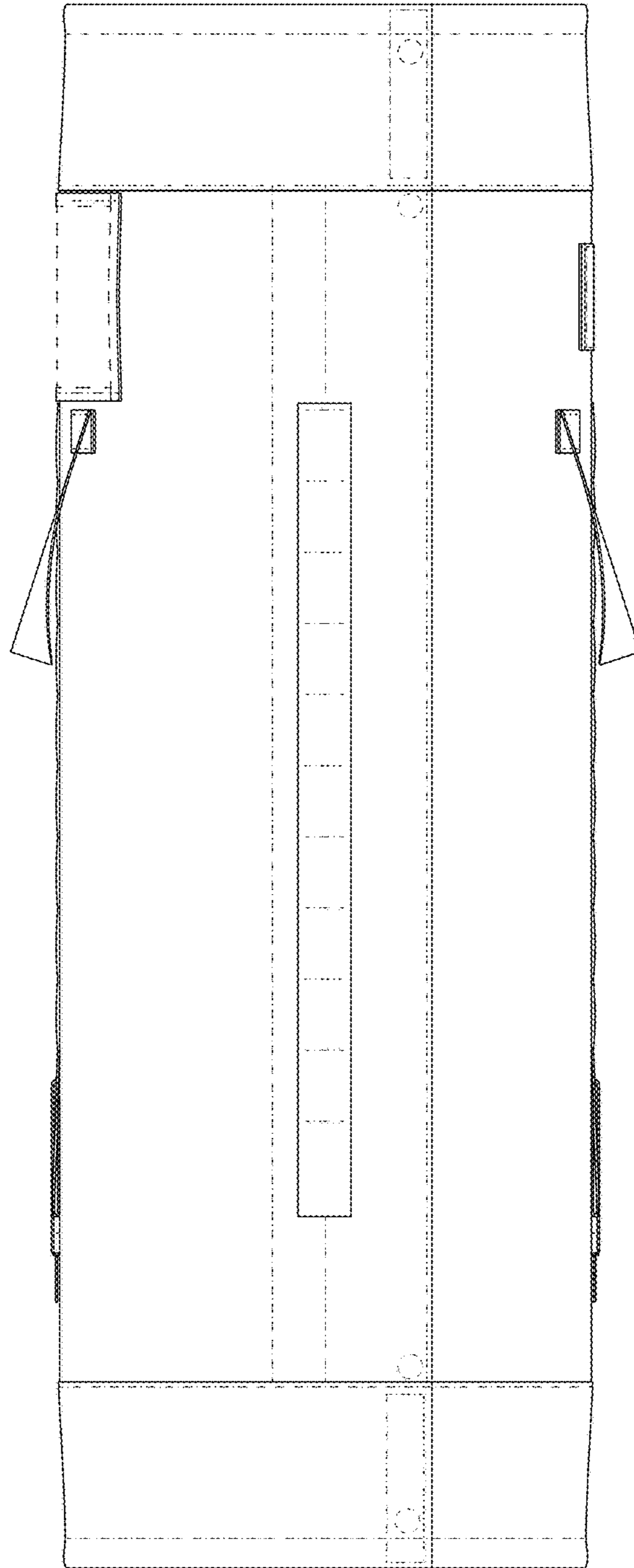


FIG. 15

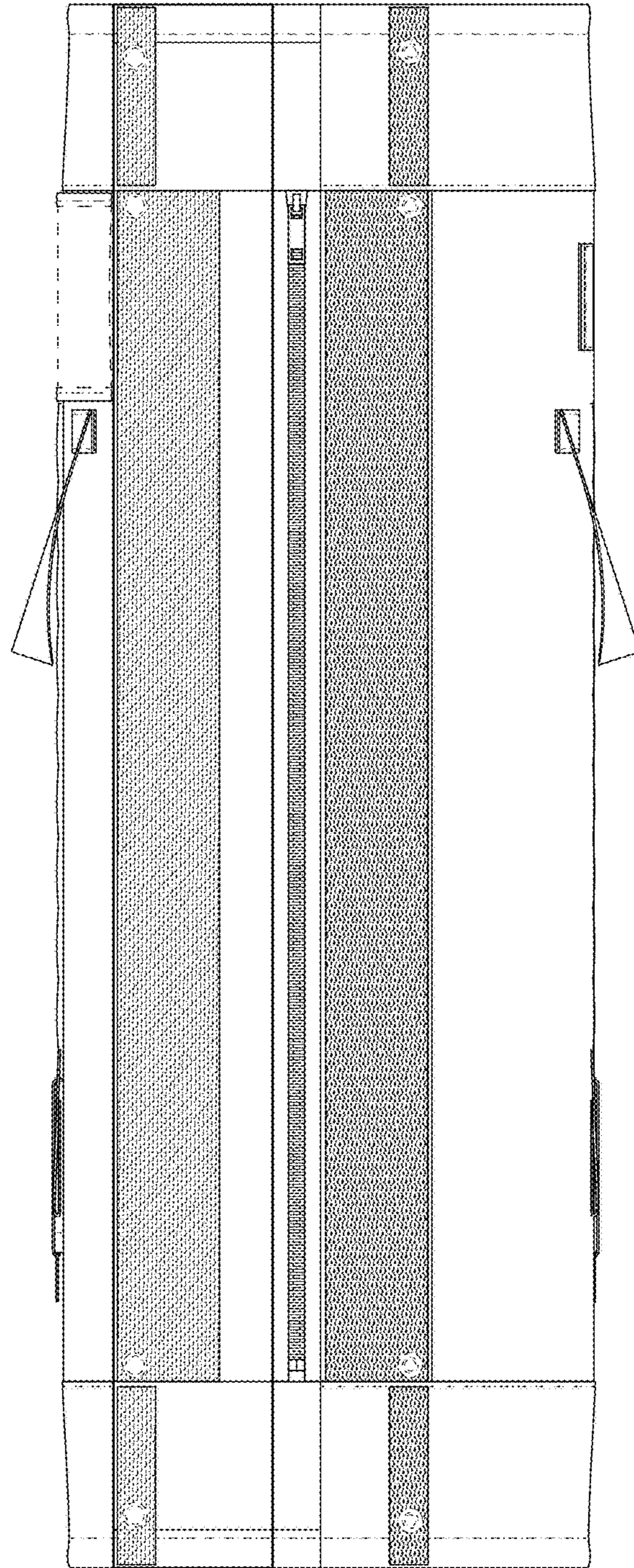


FIG. 16

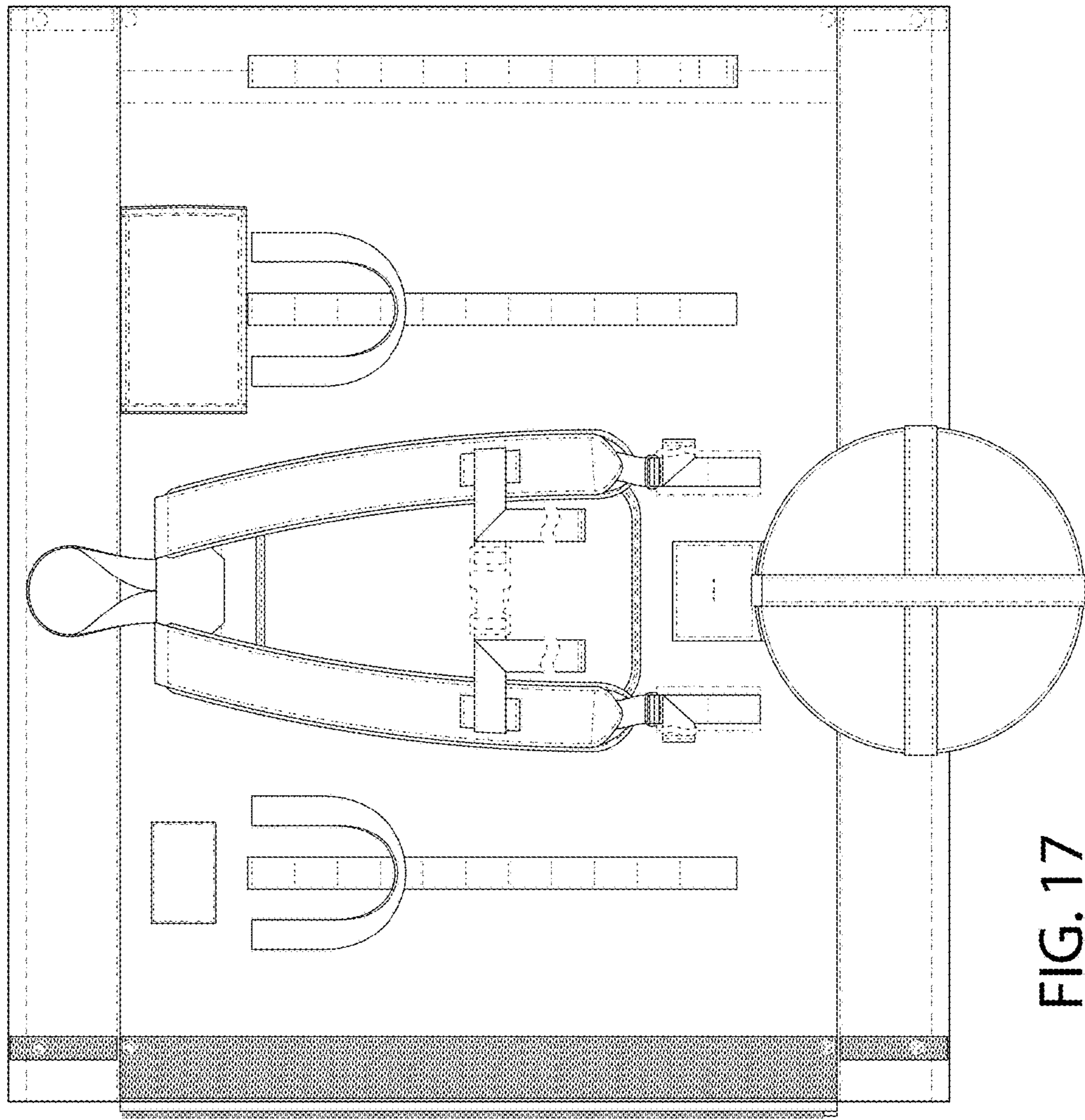


FIG. 17

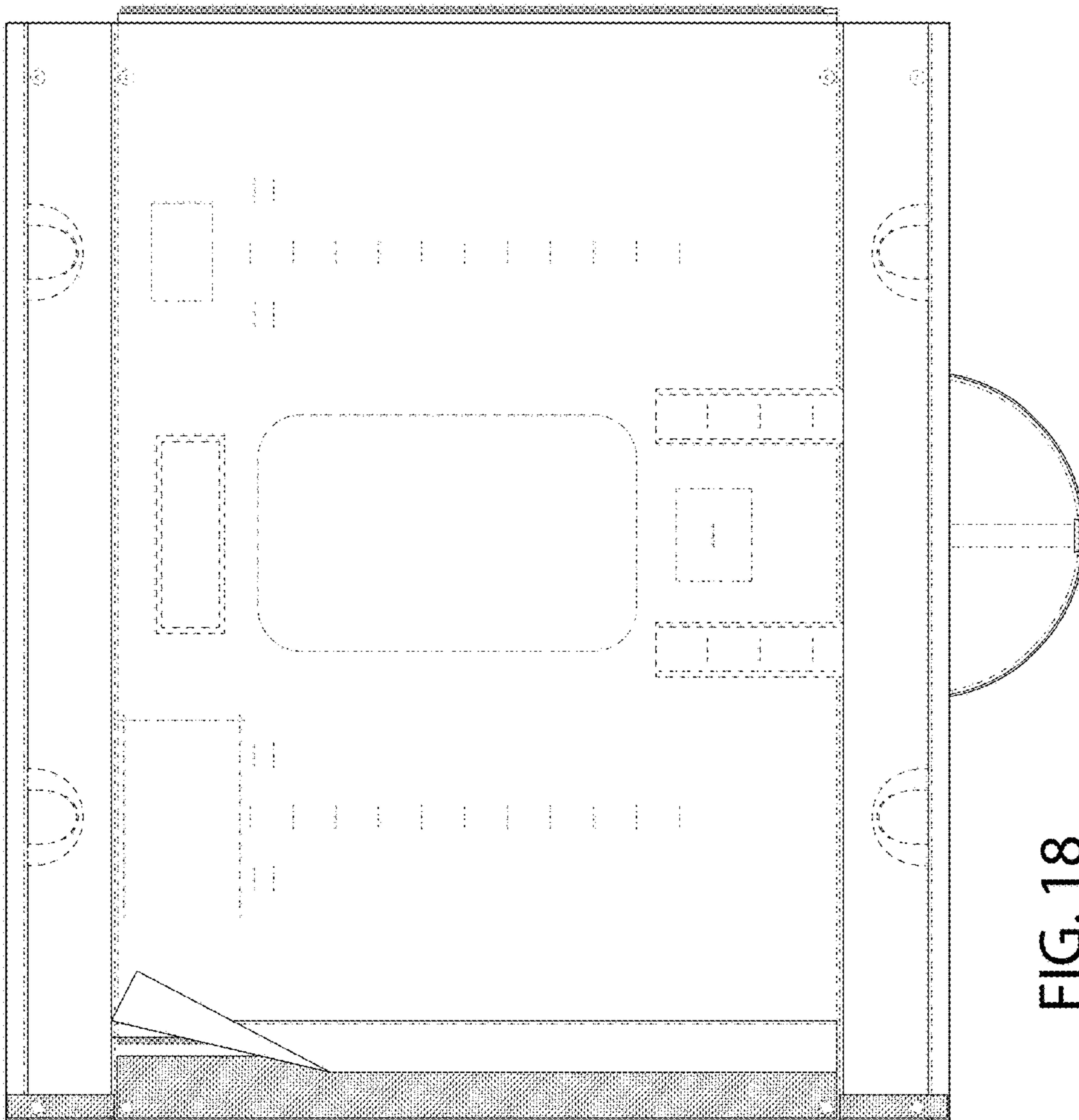


FIG. 18