



US00D852491S

(12) **United States Design Patent**
Wantland

(10) **Patent No.:** **US D852,491 S**

(45) **Date of Patent:** **** Jul. 2, 2019**

(54) **TOILETRY BAG**

(71) Applicant: **Baseballism Inc.**, Portland, OR (US)

(72) Inventor: **Ryan Wantland**, Portland, OR (US)

(73) Assignee: **Baseballism Inc.**, Portland, OR (US)

(**) Term: **15 Years**

(21) Appl. No.: **29/654,532**

(22) Filed: **Jun. 25, 2018**

(51) **LOC (11) Cl.** **03-01**

(52) **U.S. Cl.**

USPC **D3/205; D3/283; D3/289**

(58) **Field of Classification Search**

USPC D3/205, 216, 217, 243, 254, 273, 276,
D3/277, 283, 287, 289, 290, 304, 306,
D3/309, 900, 902, 904, 246; D7/605,
D7/607

CPC A45C 3/001; A45C 2003/002; A45C
2003/008; A45C 5/005; A45C 11/20;
A45C 2003/007; A45F 4/02

See application file for complete search history.

(56) **References Cited**

U.S. PATENT DOCUMENTS

D346,491 S *	5/1994	Shoaf	D3/269
D352,827 S *	11/1994	Schildkraut	D3/283
D355,758 S *	2/1995	Poire	D3/217
D371,907 S *	7/1996	Cyr	D3/286
D377,861 S *	2/1997	Jacober	D3/203.1
D387,627 S *	12/1997	Keene	D3/246
D465,924 S *	11/2002	Gisser	D3/276
D540,037 S *	4/2007	Newson	D3/283
D575,059 S *	8/2008	Cappiello	D3/283
D731,179 S *	6/2015	Bernson	D3/269
D792,167 S *	7/2017	Bradley	D7/607
D802,917 S *	11/2017	Fusi	D3/243
D804,166 S *	12/2017	McCoy	D3/216

(Continued)

OTHER PUBLICATIONS

Baseballism, "Glove Leather Toiletry Bat Bag—Pre-Order", published video on page dated Feb. 26, 2018. (<https://www.baseballism.com/collections/toiletry-bags/products/flag-man-toiletry-bat-bag-glove-leather>) (Year: 2018).*

(Continued)

Primary Examiner — Jennifer Rivard

Assistant Examiner — April Rivas

(74) *Attorney, Agent, or Firm* — McCoy Russell LLP

(57) **CLAIM**

The ornamental design for a toiletry bag, as shown and described.

DESCRIPTION

FIG. 1 is a front left perspective view of a toiletry bag according to the present invention.

FIG. 2 is a front view of the toiletry bag of FIG. 1 with the front pocket closed.

FIG. 3 is a front view of the toiletry bag of FIG. 1 with the front pocket open.

FIG. 4 is a back view of the toiletry bag of FIG. 1.

FIG. 5 is a left side view of the toiletry bag of FIG. 1.

FIG. 6 is a right side view of the toiletry bag of FIG. 1.

FIG. 7 is a top view of the toiletry bag of FIG. 1 with the main pocket closed.

FIG. 8 is a top view of the toiletry bag of FIG. 1 with the main pocket open; and,

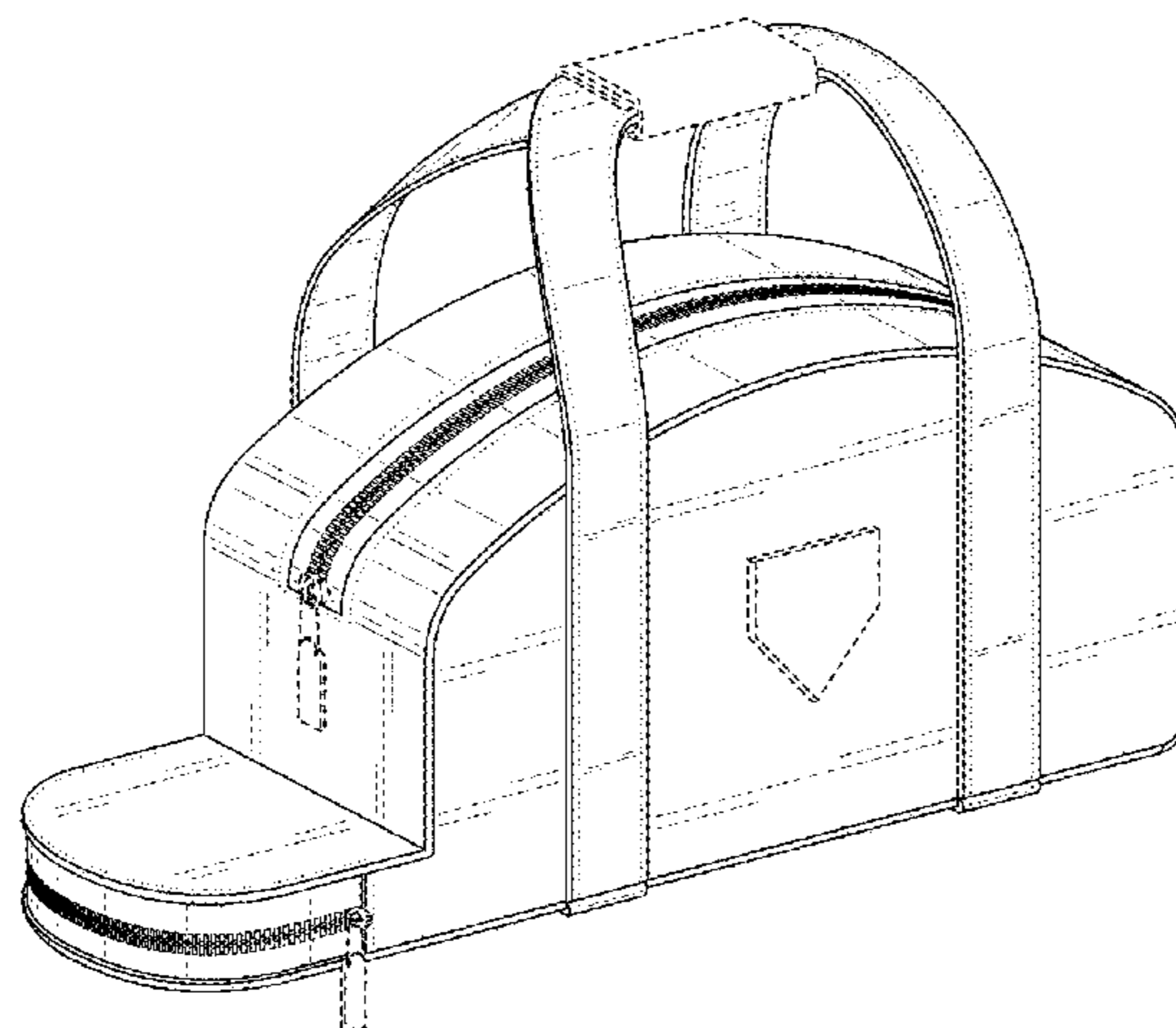
FIG. 9 is a bottom view of the toiletry bag of FIG. 1.

The dash-dash broken lines shown in FIGS. 1-9 illustrate portions of the toiletry bag that form no part of the claimed design.

The dotted lines shown in FIGS. 1-9 indicate stitching and form no part of the claimed design.

The dash-dot-dash broken boundary lines shown in FIGS. 3 and 8 enclose portions of the toiletry bag that form no part of the claimed design.

1 Claim, 9 Drawing Sheets



(56)

References Cited

U.S. PATENT DOCUMENTS

D804,914 S * 12/2017 Shi D7/606
D816,984 S * 5/2018 Jusic D3/205
D819,956 S * 6/2018 Woodard D3/203.6
2014/0369628 A1 * 12/2014 Tzortzis B65D 33/06
383/13

OTHER PUBLICATIONS

Amazon, "Athletico Baseball Tote Bag . . .", First reviewed Aug. 24, 2017. (<https://www.amazon.com/Athletico-Baseball-Tote-Bag-Equipment/dp/B072K19SYZ/>) (Year: 2017).*

Kmart, "Easton Bat Bag", First reviewed Jun. 2, 2015. (<https://www.kmart.com/easton-bat-bag/p-080W464936110001P>) (Year: 2015).*

* cited by examiner

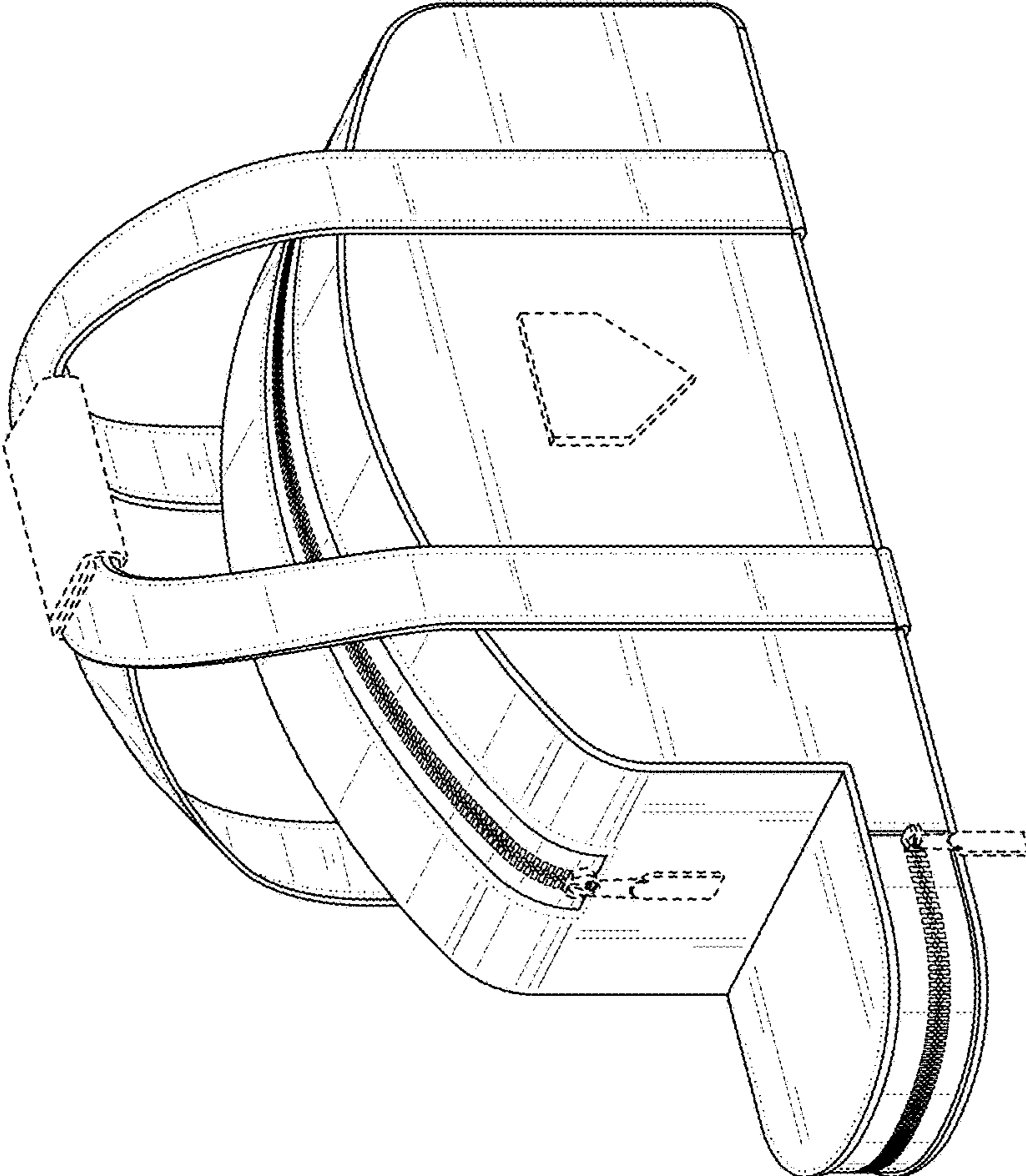


FIG. 1

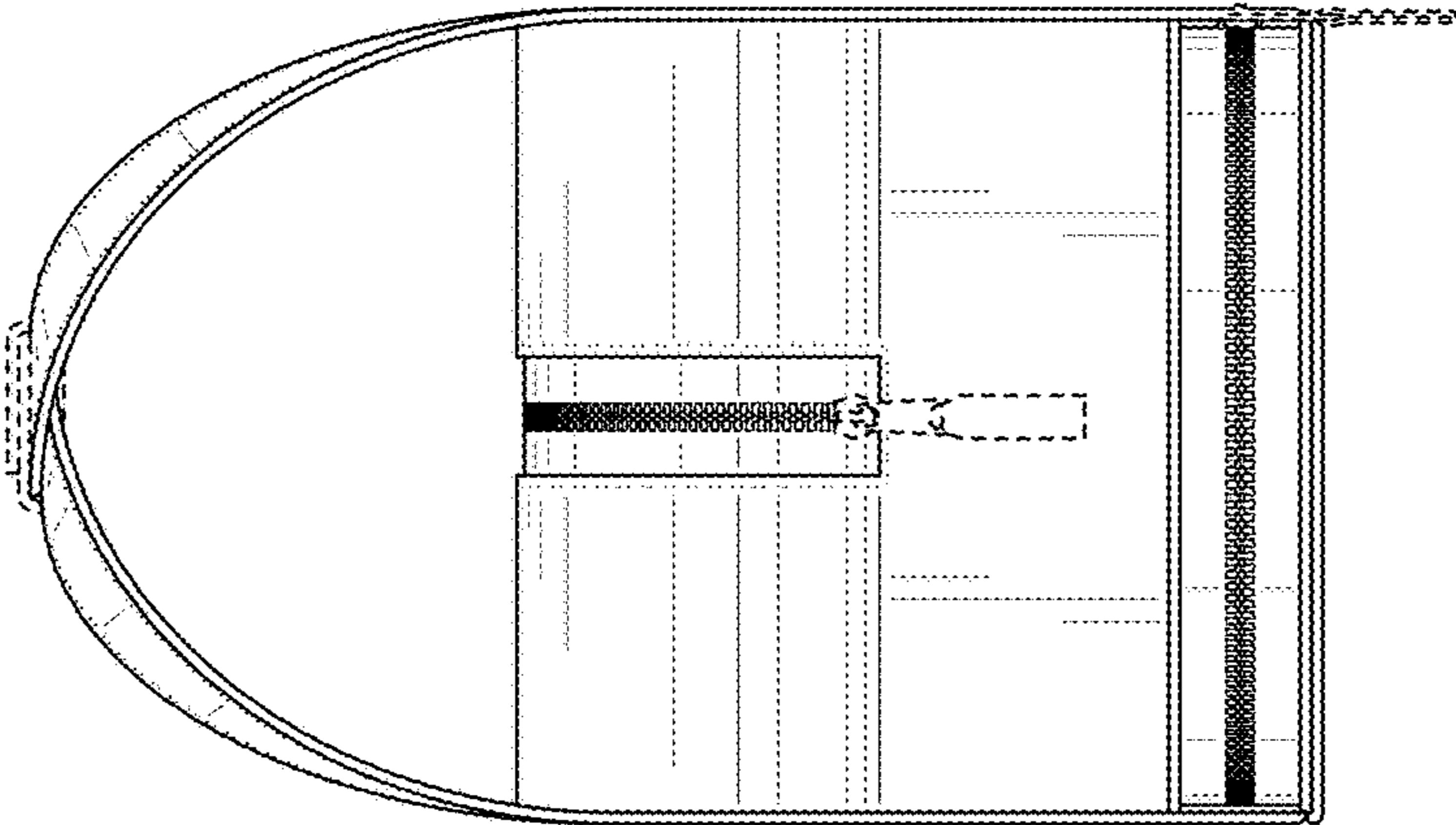


FIG. 2

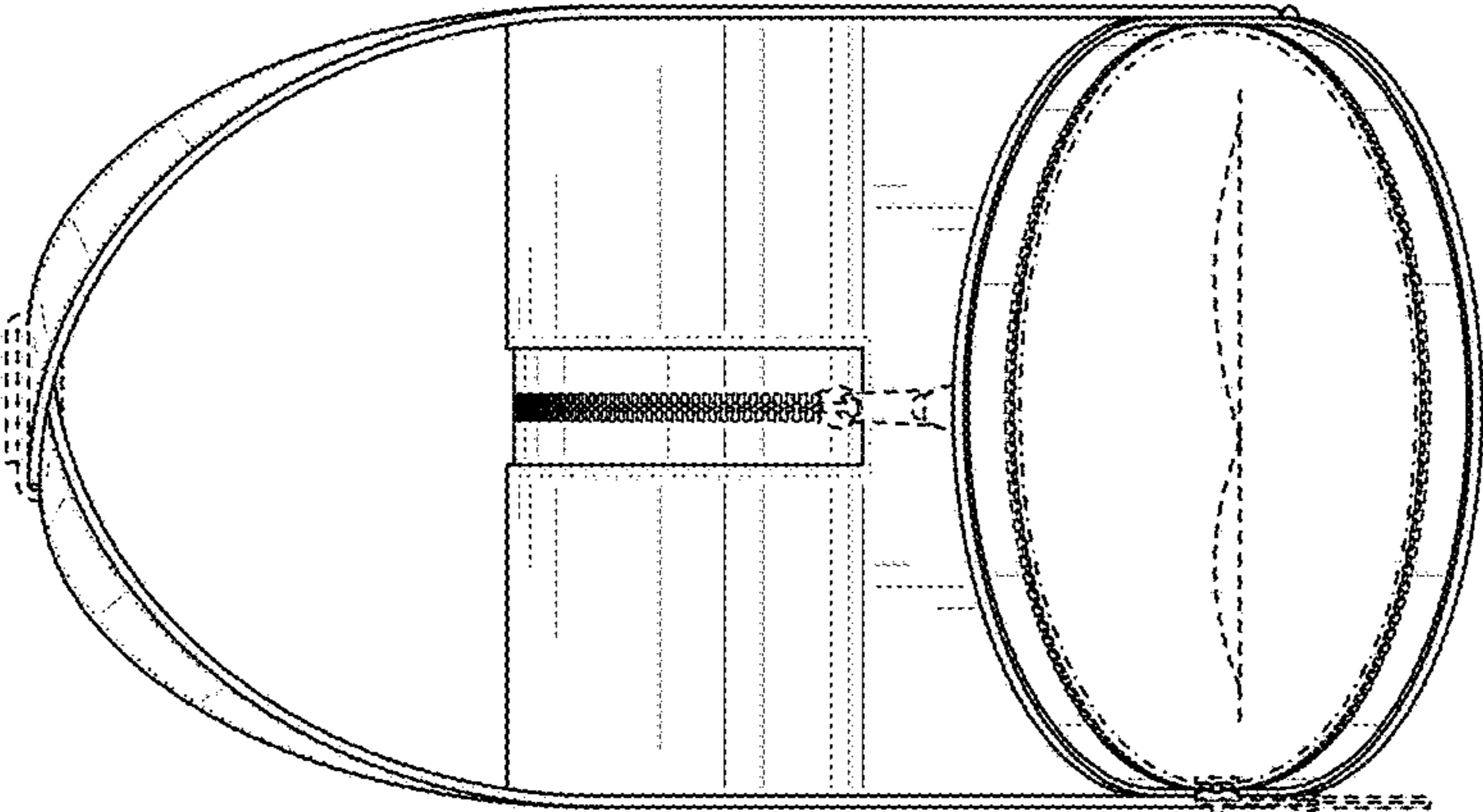


FIG. 3

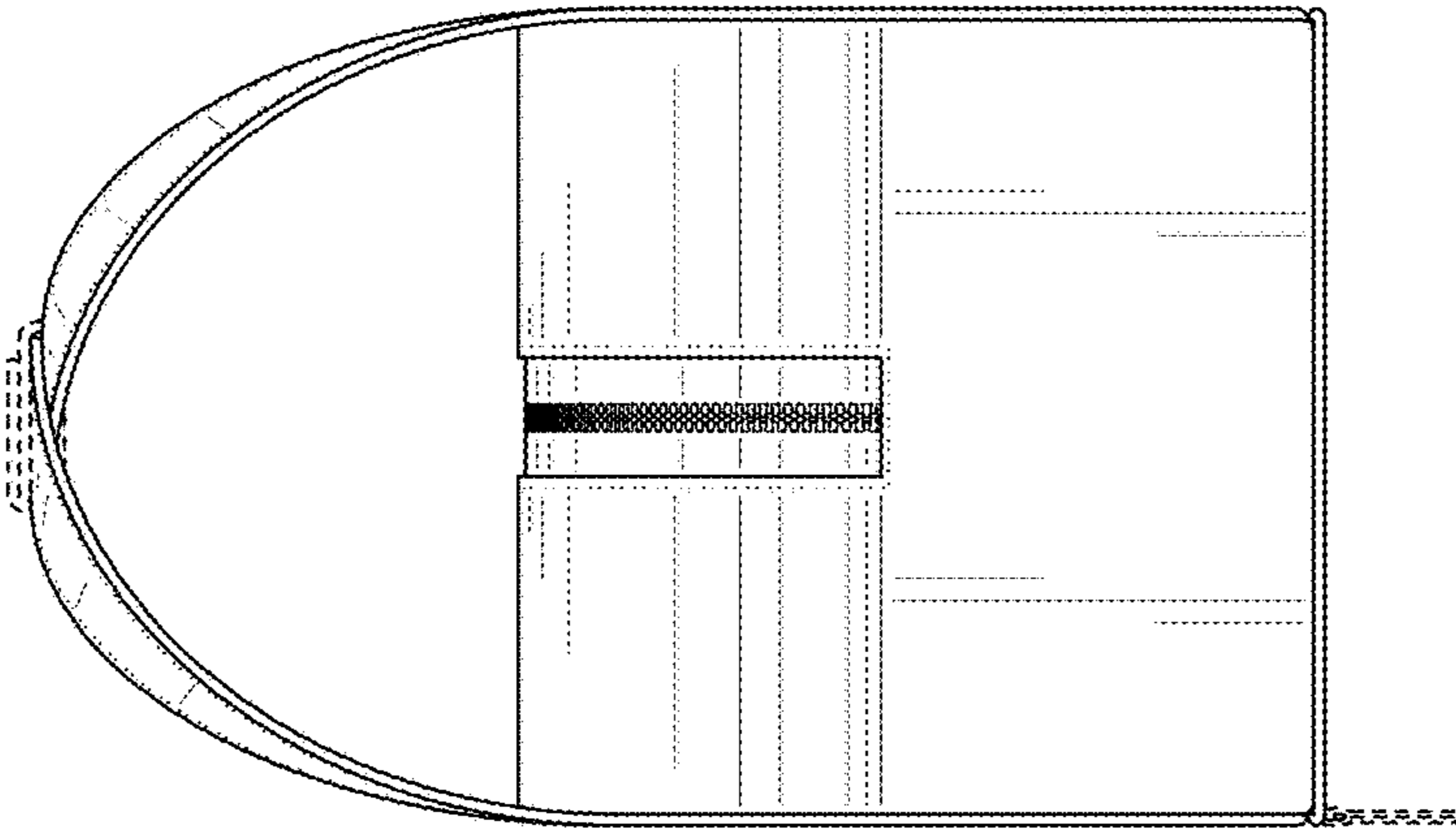


FIG. 4

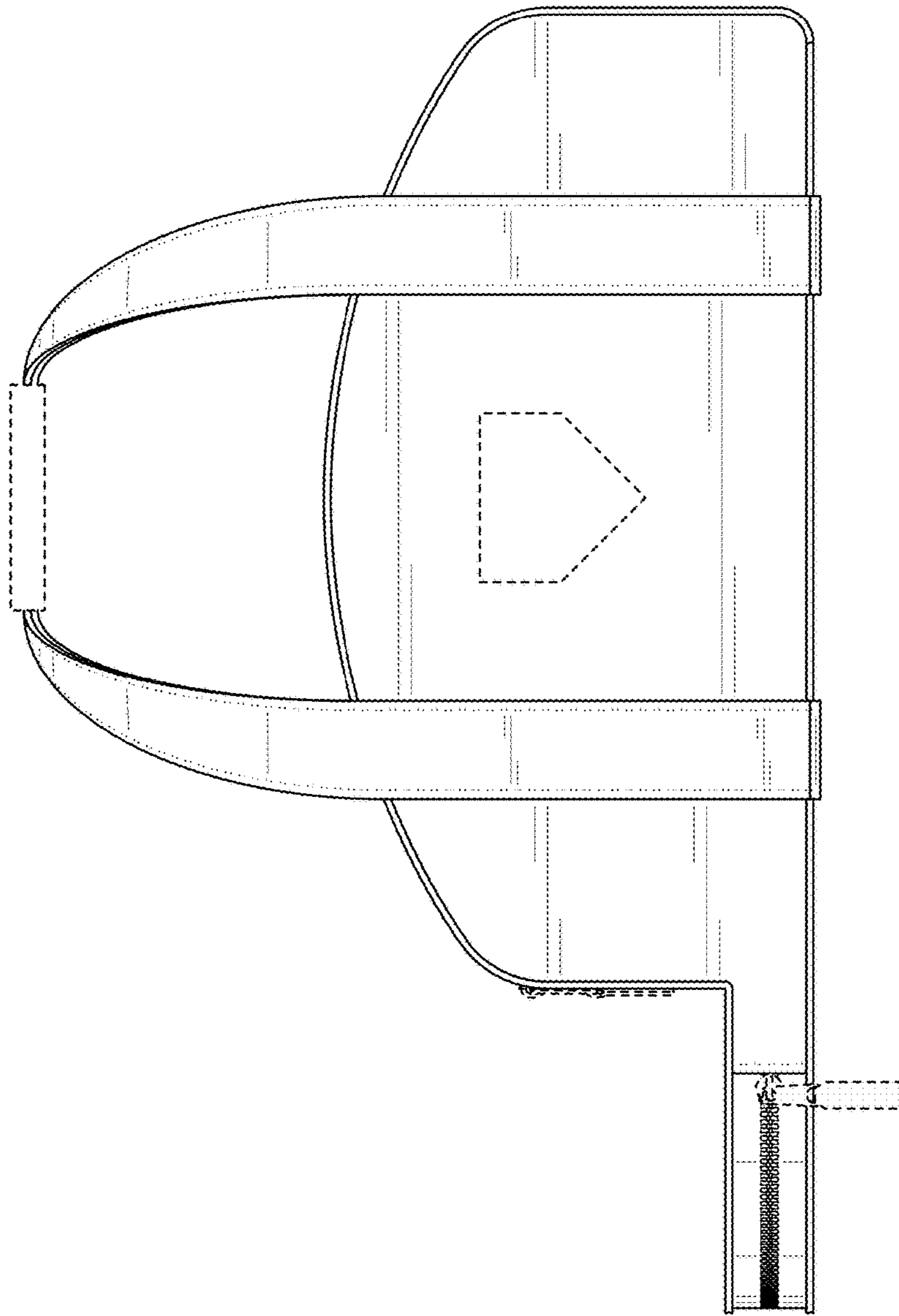


FIG. 5

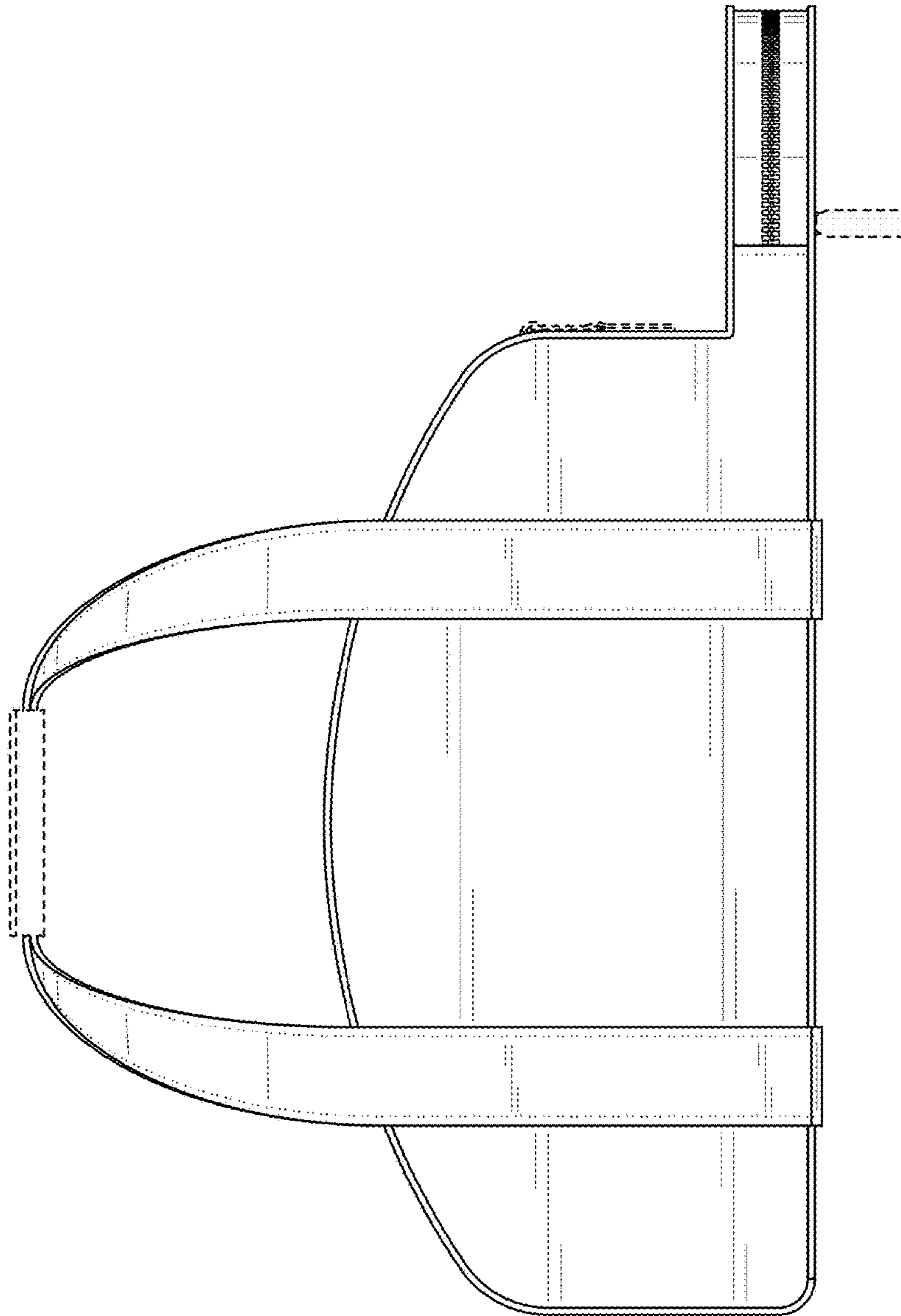


FIG. 6

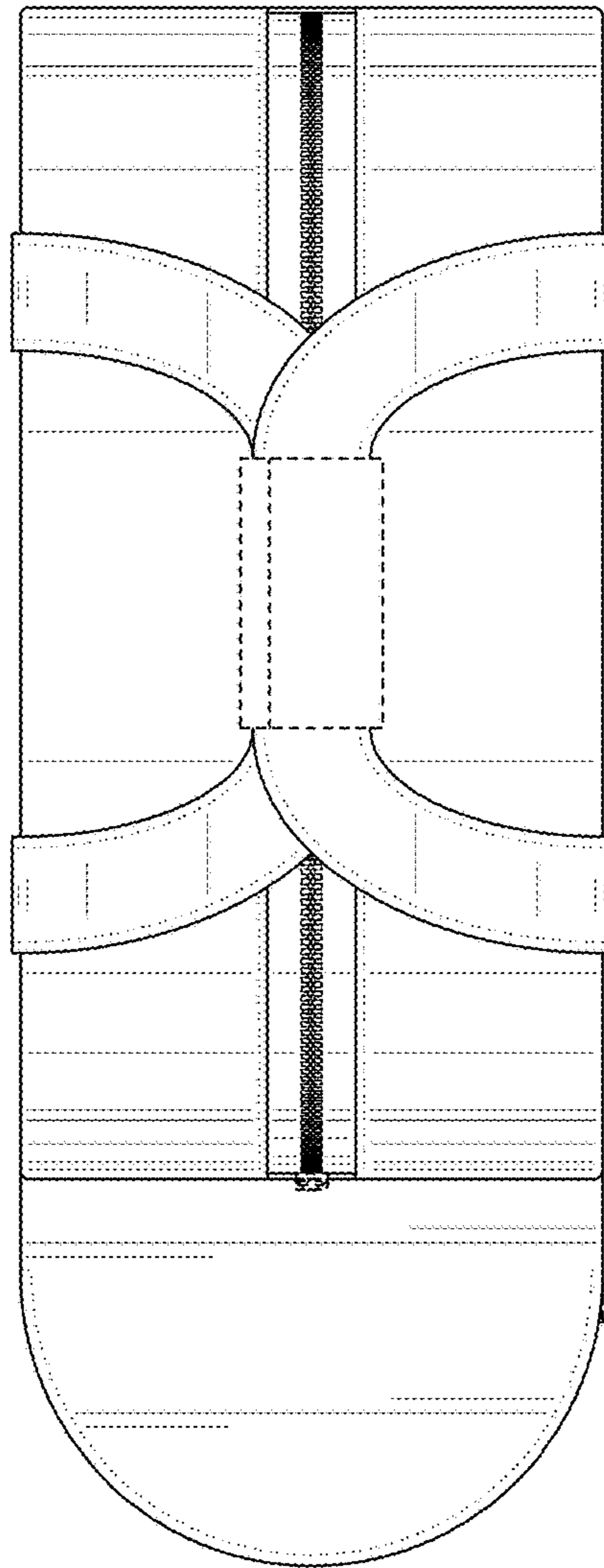


FIG. 7

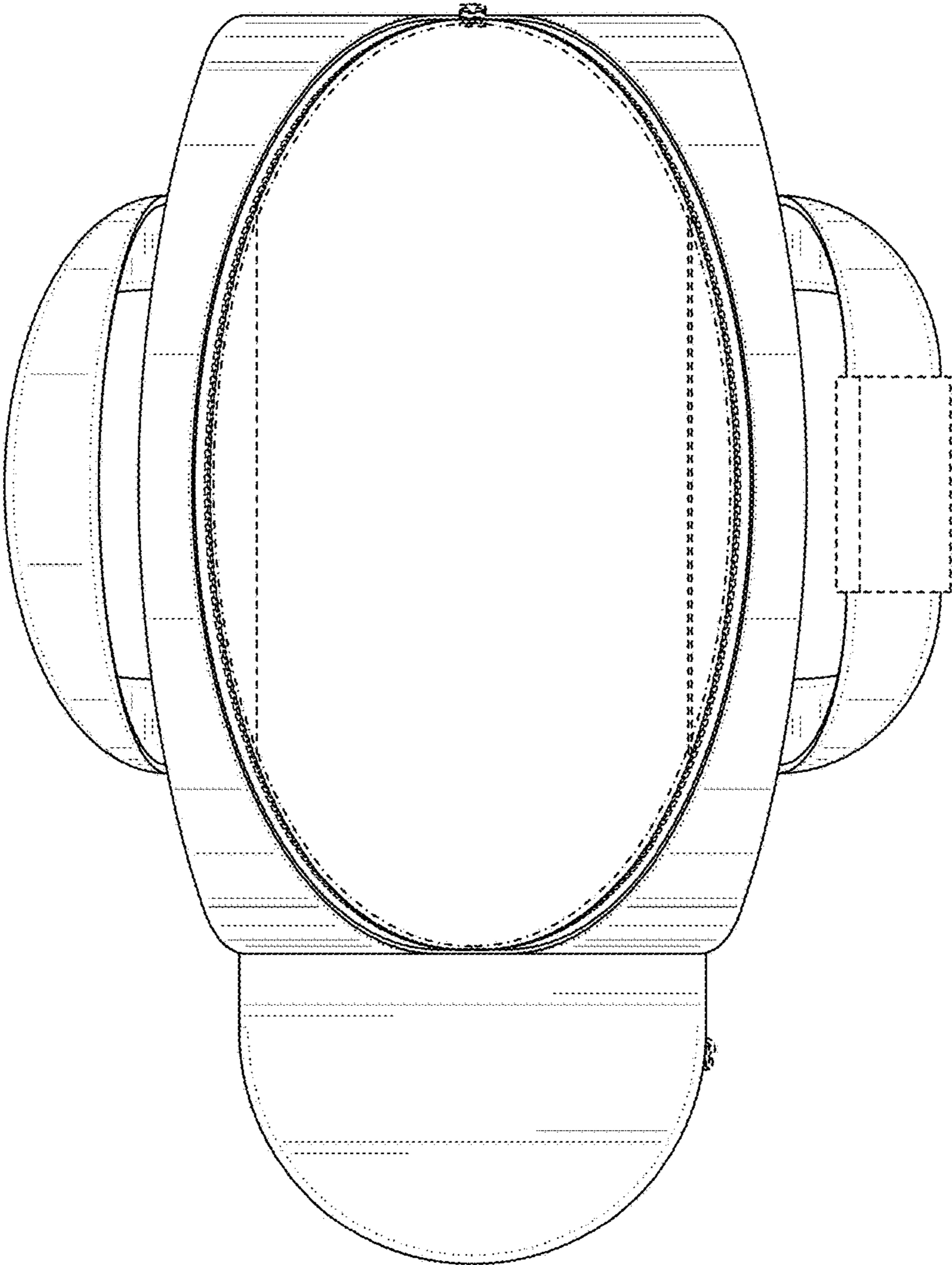


FIG. 8

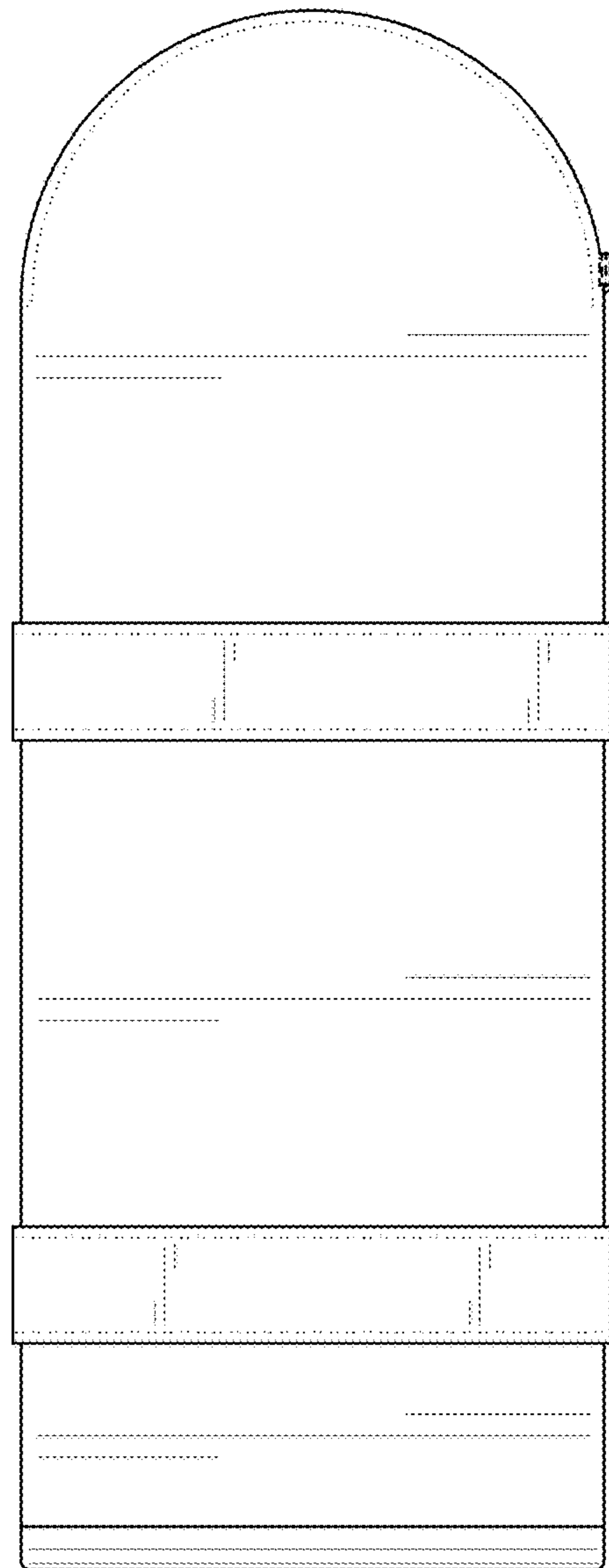


FIG. 9