



US00D852490S

(12) **United States Design Patent** (10) **Patent No.:** **US D852,490 S**
De Loynes et al. (45) **Date of Patent:** **** Jul. 2, 2019**

(54) **ACCESSORY ORGANIZER**
(71) Applicant: **Umbra LLC**, Buffalo, NY (US)
(72) Inventors: **Eugenie De Loynes**, Toronto (CA);
Sung Wook Park, Toronto (CA)
(73) Assignee: **Umbra LLC**, Buffalo, NY (US)
(**) Term: **15 Years**
(21) Appl. No.: **29/619,003**
(22) Filed: **Sep. 26, 2017**
(51) **LOC (11) Cl.** **03-03**
(52) **U.S. Cl.**
USPC **D3/205**
(58) **Field of Classification Search**
USPC D3/205, 206; D7/359, 600.4, 701
CPC A47F 7/14; B65D 21/00
See application file for complete search history.

(56) **References Cited**
U.S. PATENT DOCUMENTS
5,447,242 A * 9/1995 Kelly A47F 7/145
211/128.1
D370,177 S * 5/1996 Bankier D7/553.3
D446,092 S * 8/2001 Cautereels D7/701
D454,749 S * 3/2002 Georgiadis D6/629
7,984,806 B2 * 7/2011 Matheou A47B 73/008
206/427
D684,419 S * 6/2013 Cloutier D7/354
D769,073 S * 10/2016 Lipper McCauley D7/600.4

* cited by examiner

Primary Examiner — Charles D Hanson
(74) *Attorney, Agent, or Firm* — Simpson & Simpson,
PLLC

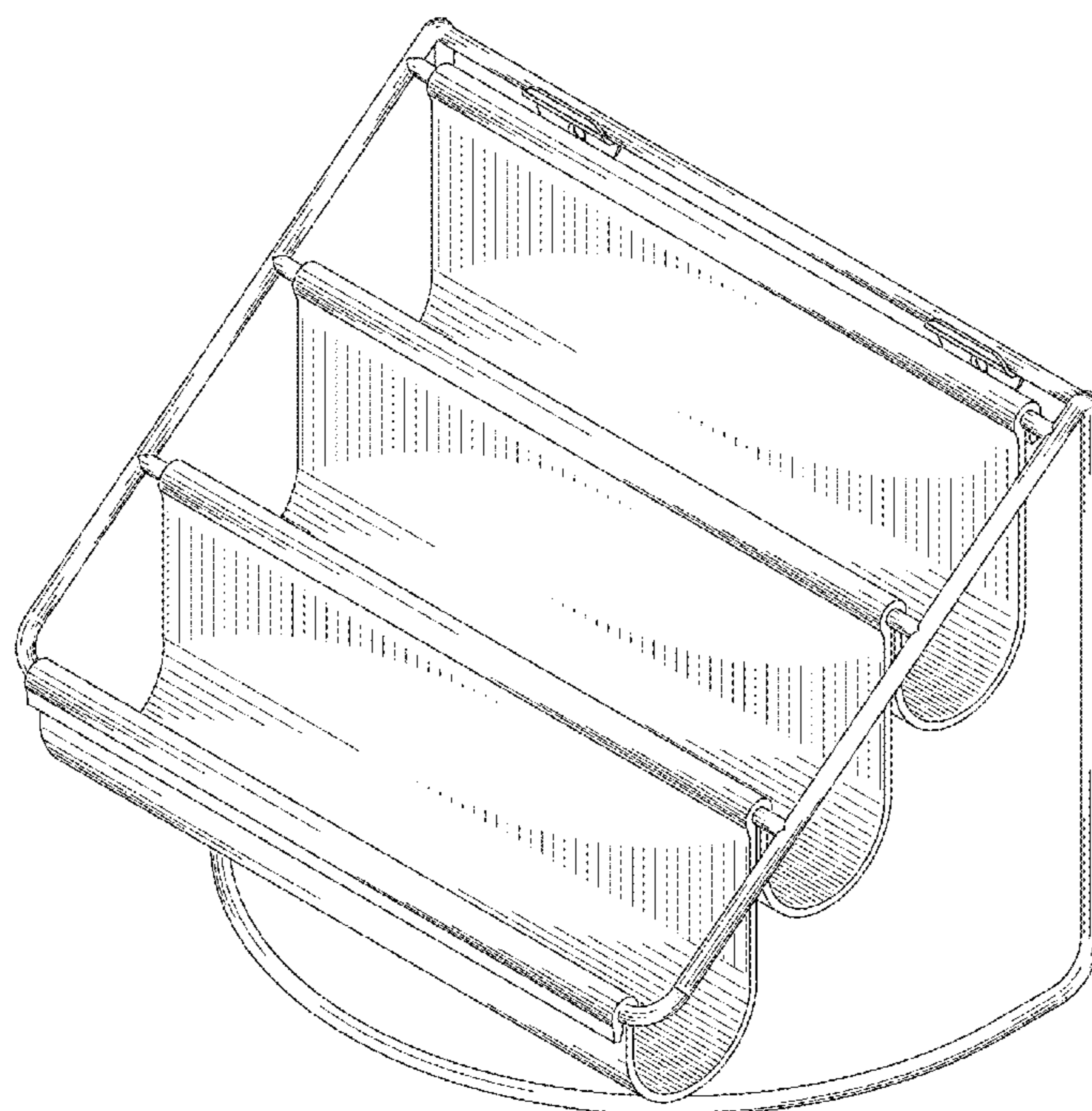
(57) **CLAIM**

The ornamental design for an accessory organizer, as shown and described.

DESCRIPTION

FIG. 1 is a front perspective view of the accessory organizer of the present invention;
FIG. 2 is a front elevational view of the accessory organizer shown in FIG. 1;
FIG. 3 is a back elevational view of the accessory organizer shown in FIG. 1;
FIG. 4 is a left side elevational view of the accessory organizer shown in FIG. 1;
FIG. 5 is a right side elevational view of the accessory organizer shown in FIG. 1;
FIG. 6 is a top plan view of the accessory organizer shown in FIG. 1; and,
FIG. 7 is a bottom plan view of the accessory organizer shown in FIG. 1.
Stippling and/or contour lines are included in the various views, for example, FIGS. 1-7, to depict surface curvature, flatness or other shapes.

1 Claim, 7 Drawing Sheets



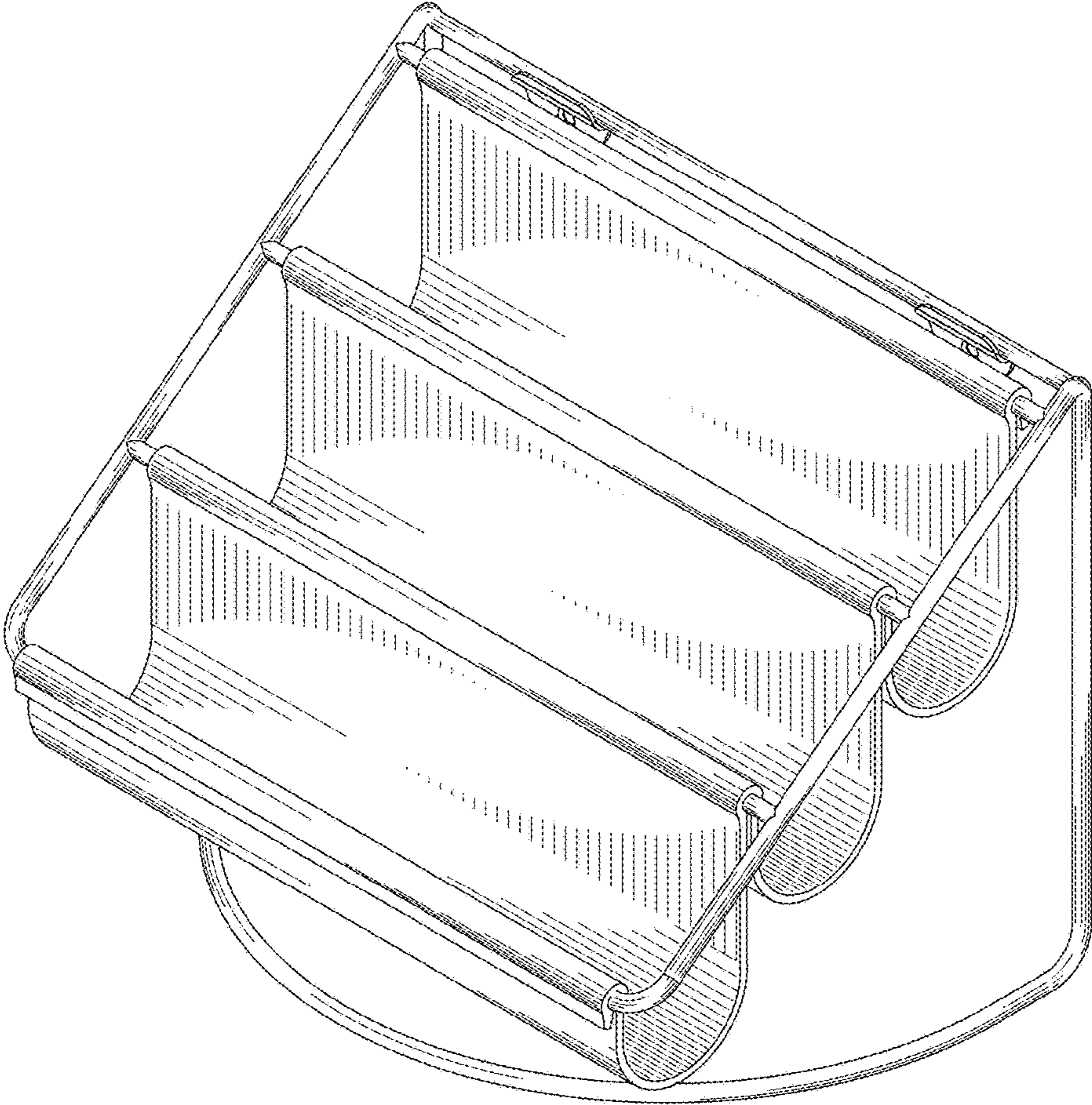


FIG. 1

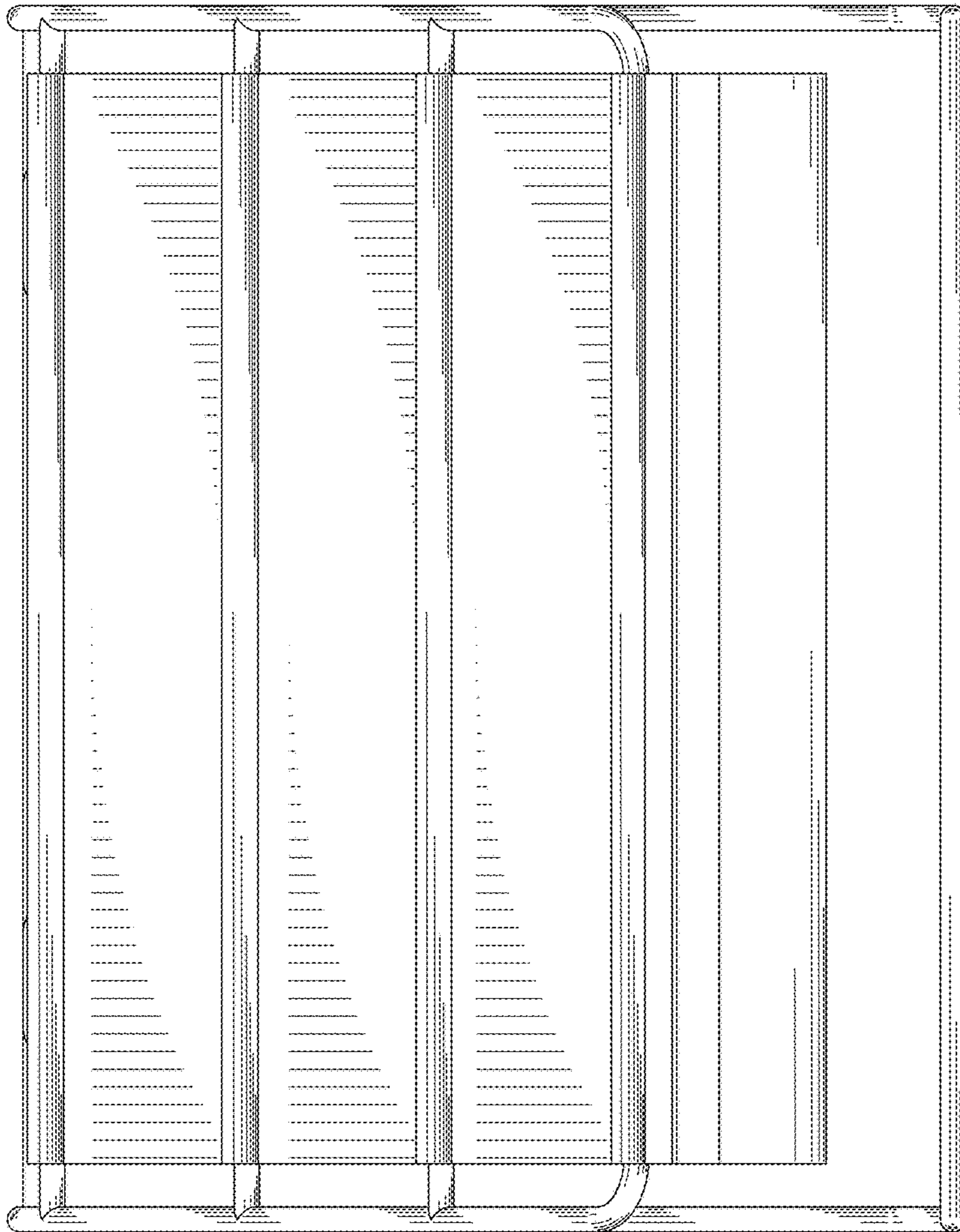


FIG. 2

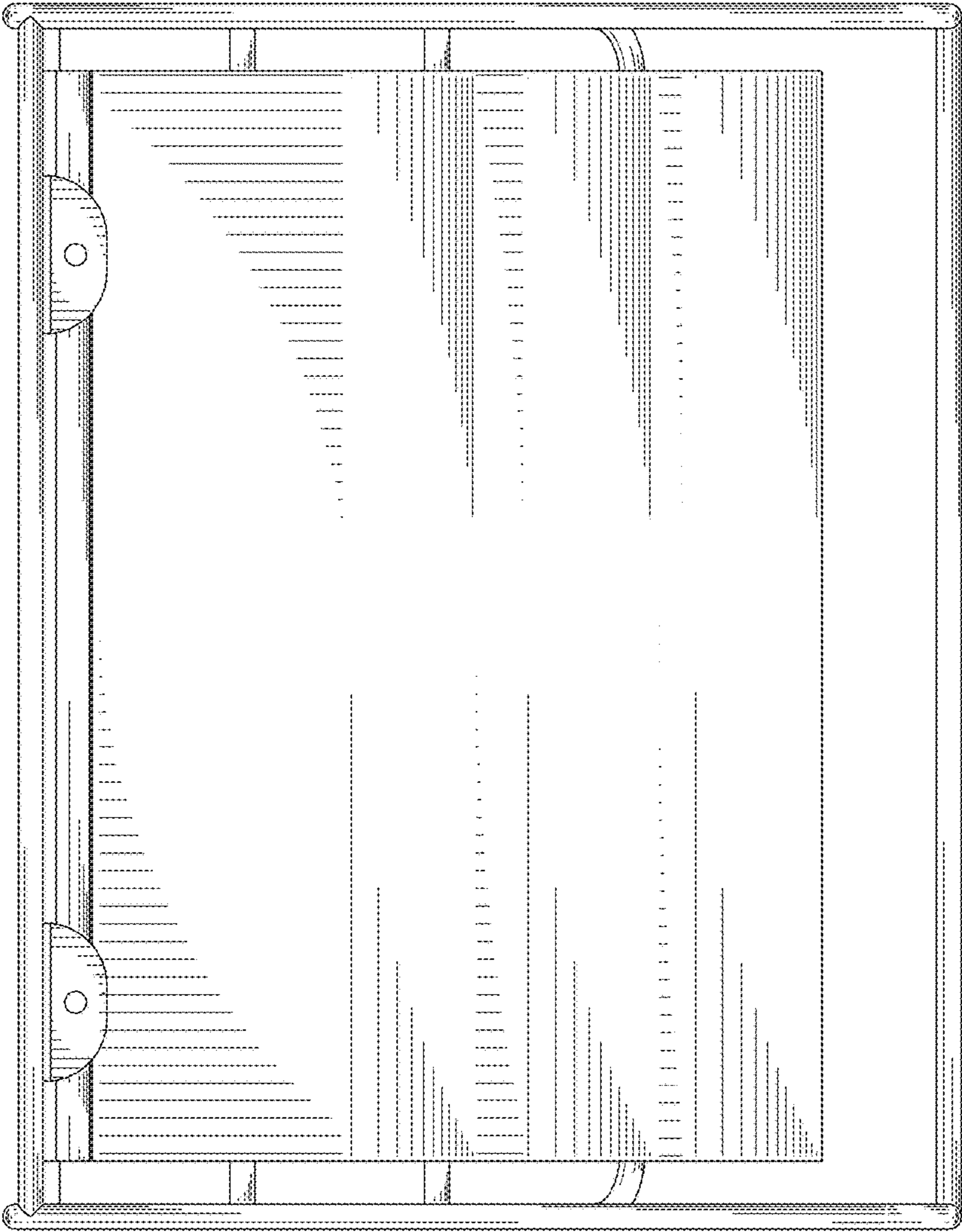


FIG. 3

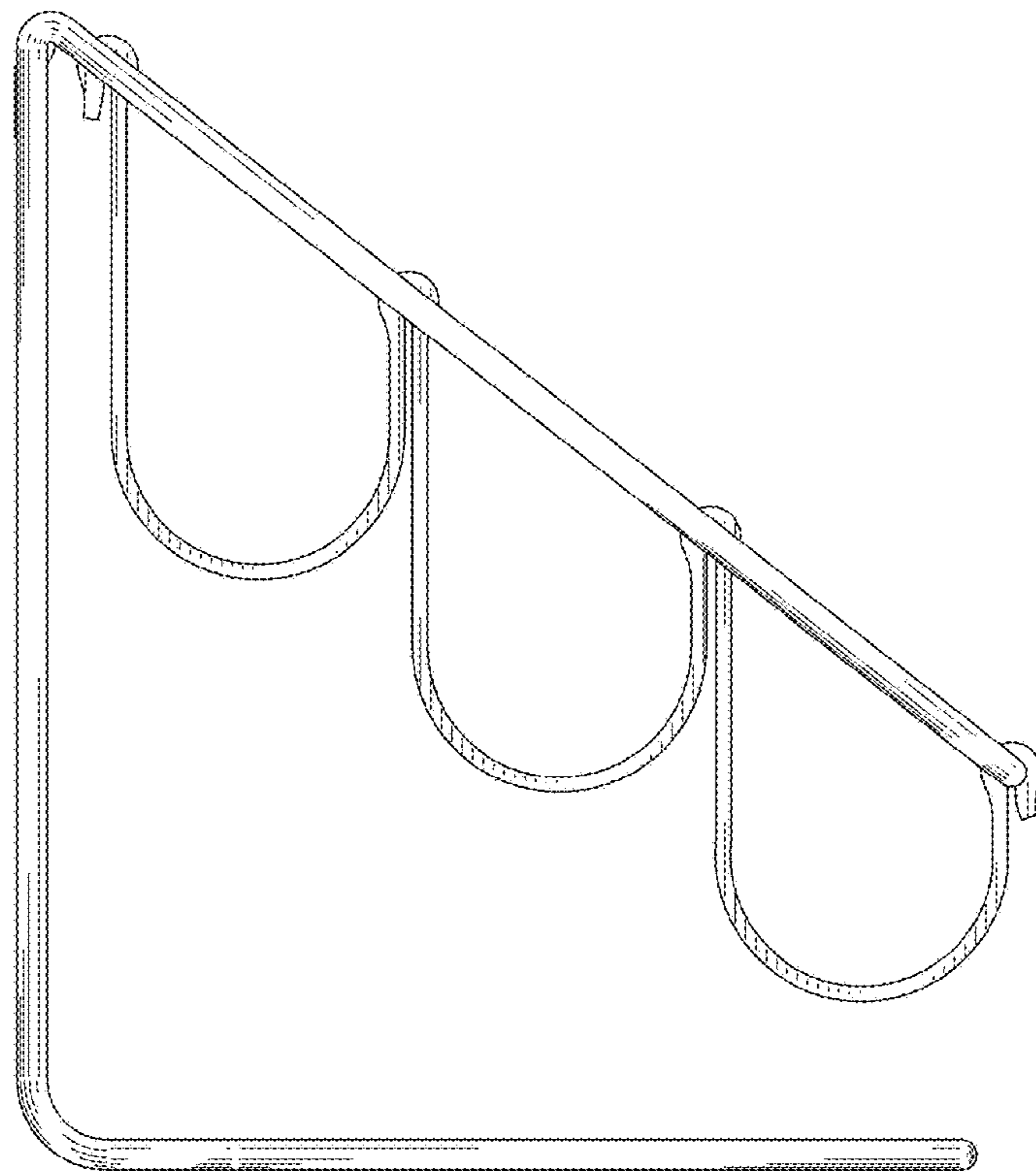


FIG. 4

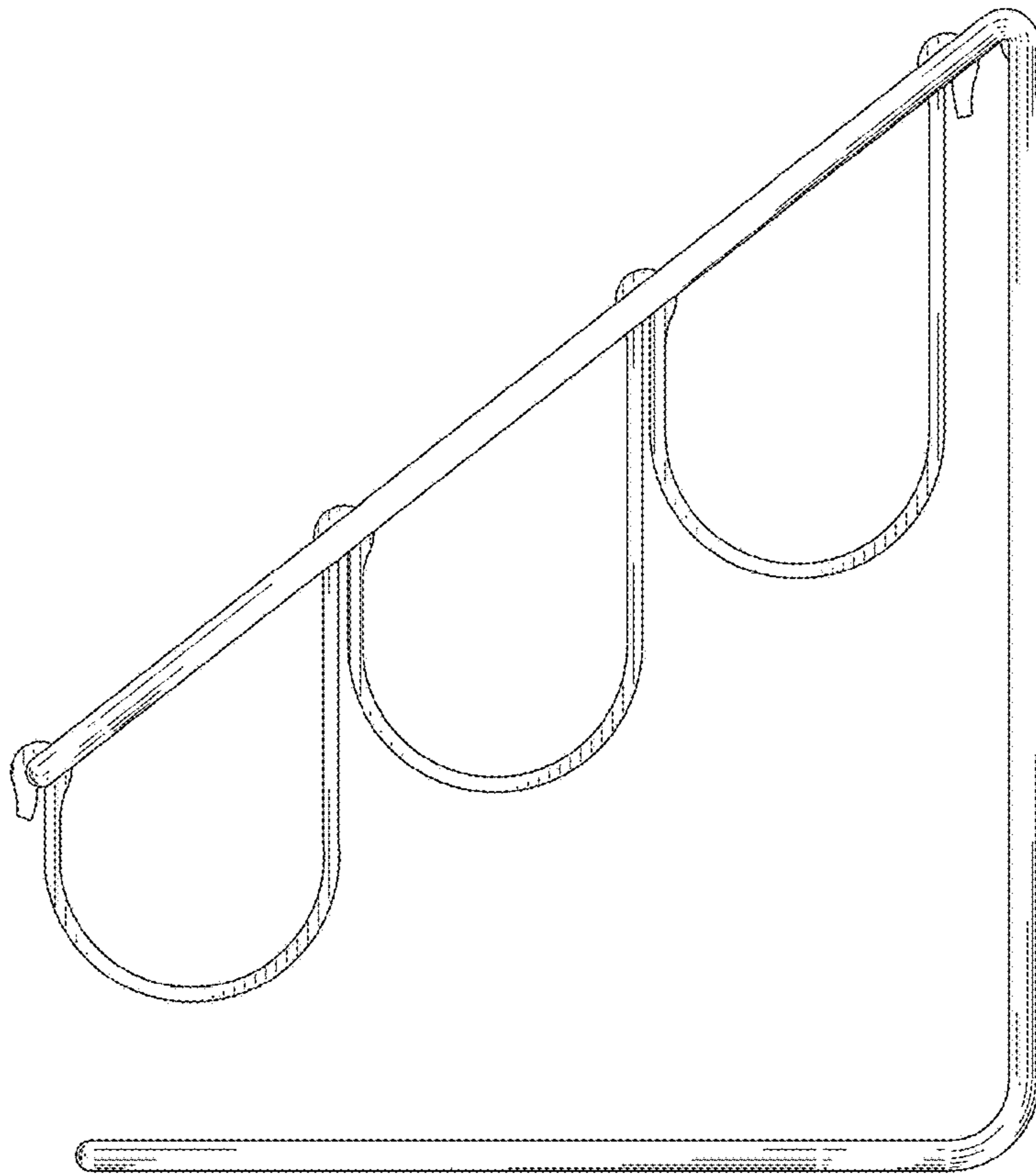


FIG. 5

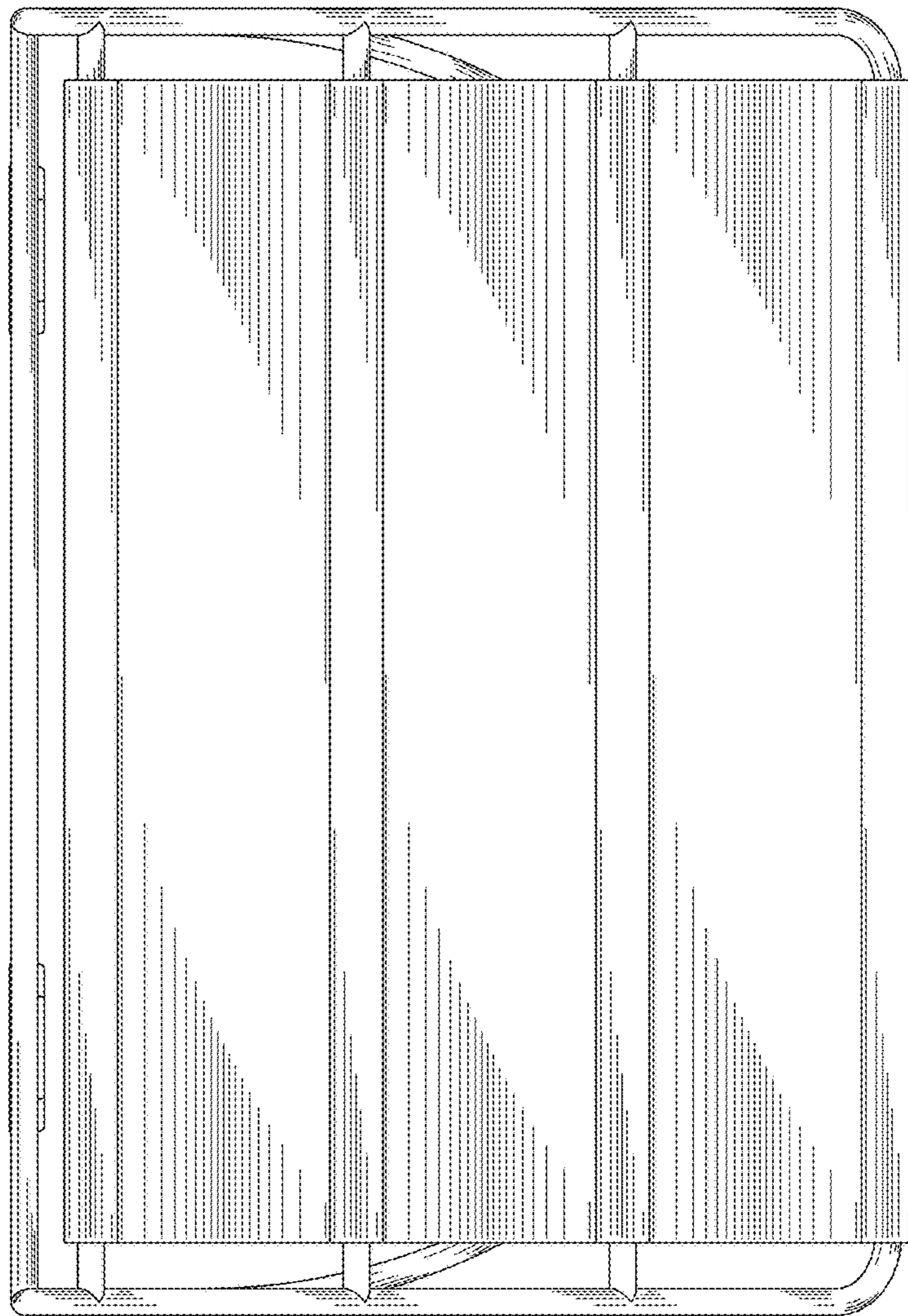


FIG. 6

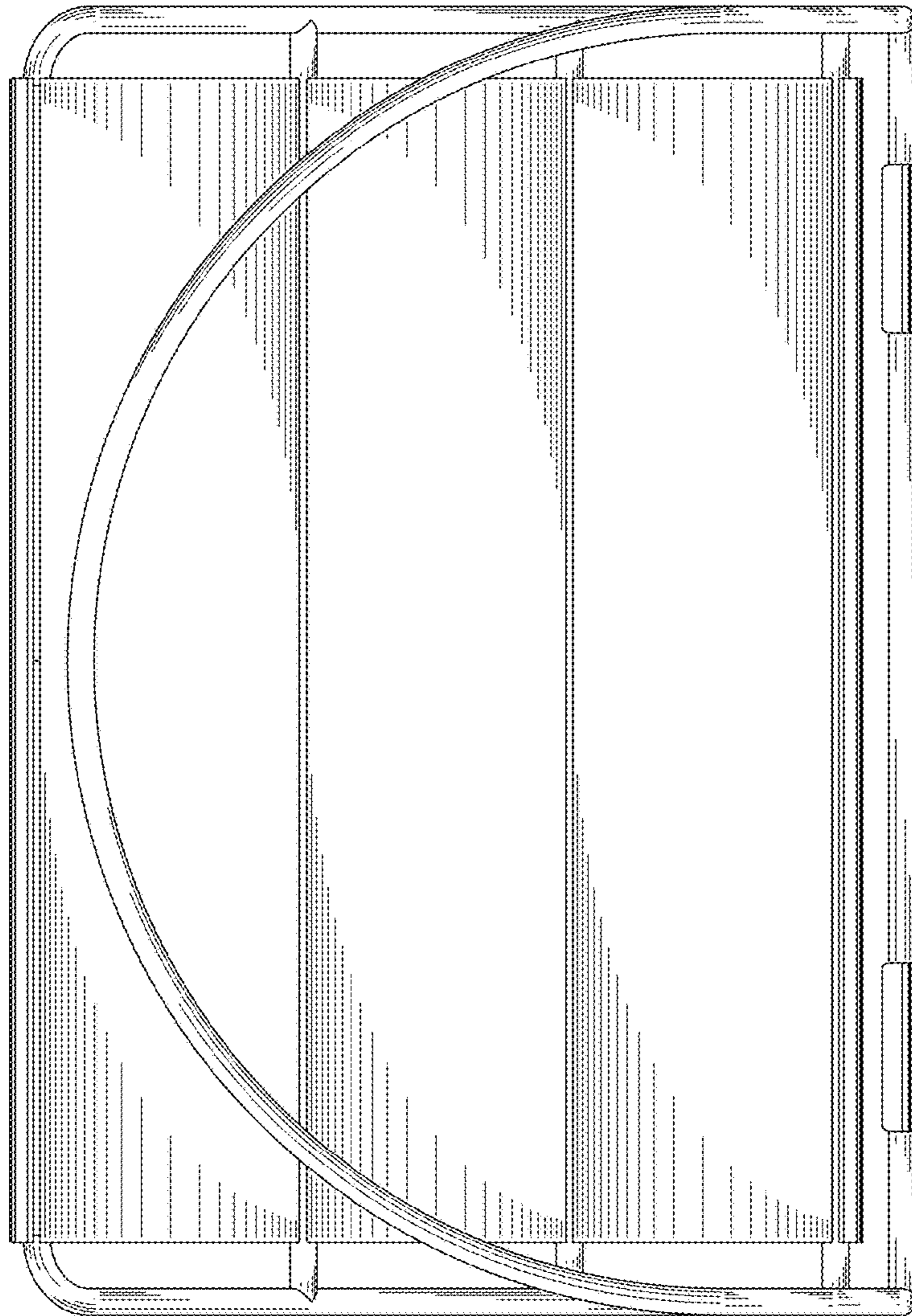


FIG. 7