



US00D852472S

(12) **United States Design Patent**
Sherman

(10) **Patent No.:** **US D852,472 S**
(45) **Date of Patent:** **** Jul. 2, 2019**

- (54) **SANDAL**
- (71) Applicant: **Lowell Sherman**, Auburndale, MA
(US)
- (72) Inventor: **Lowell Sherman**, Auburndale, MA
(US)
- (**) Term: **15 Years**
- (21) Appl. No.: **29/643,359**
- (22) Filed: **Apr. 7, 2018**
- (51) **LOC (11) Cl.** **02-04**
- (52) **U.S. Cl.**
USPC **D2/916; D2/969**
- (58) **Field of Classification Search**
USPC D2/896-900, 902-908, 916-918, 946,
D2/969, 972-974
CPC A43B 3/16; A43B 3/12; A43B 3/10; A43B
5/18; A43B 5/00; A43B 3/24-30
See application file for complete search history.

D392,452 S *	3/1998	Jenkins	D2/916
D506,595 S *	6/2005	Rimple	D2/916
D560,344 S *	1/2008	Belley	D2/916
D604,485 S *	11/2009	Thornton	D2/946
D613,049 S *	4/2010	Lawler	D2/971
D642,360 S *	8/2011	Hansen	D2/896
D698,535 S *	2/2014	Principato	D2/916
D759,949 S *	6/2016	Schwartz	D2/916

* cited by examiner

Primary Examiner — Rashida C. Walshon

(56) **References Cited**

U.S. PATENT DOCUMENTS

D279,326 S *	6/1985	Foldes	D2/916
D384,495 S *	10/1997	Watson	D2/916

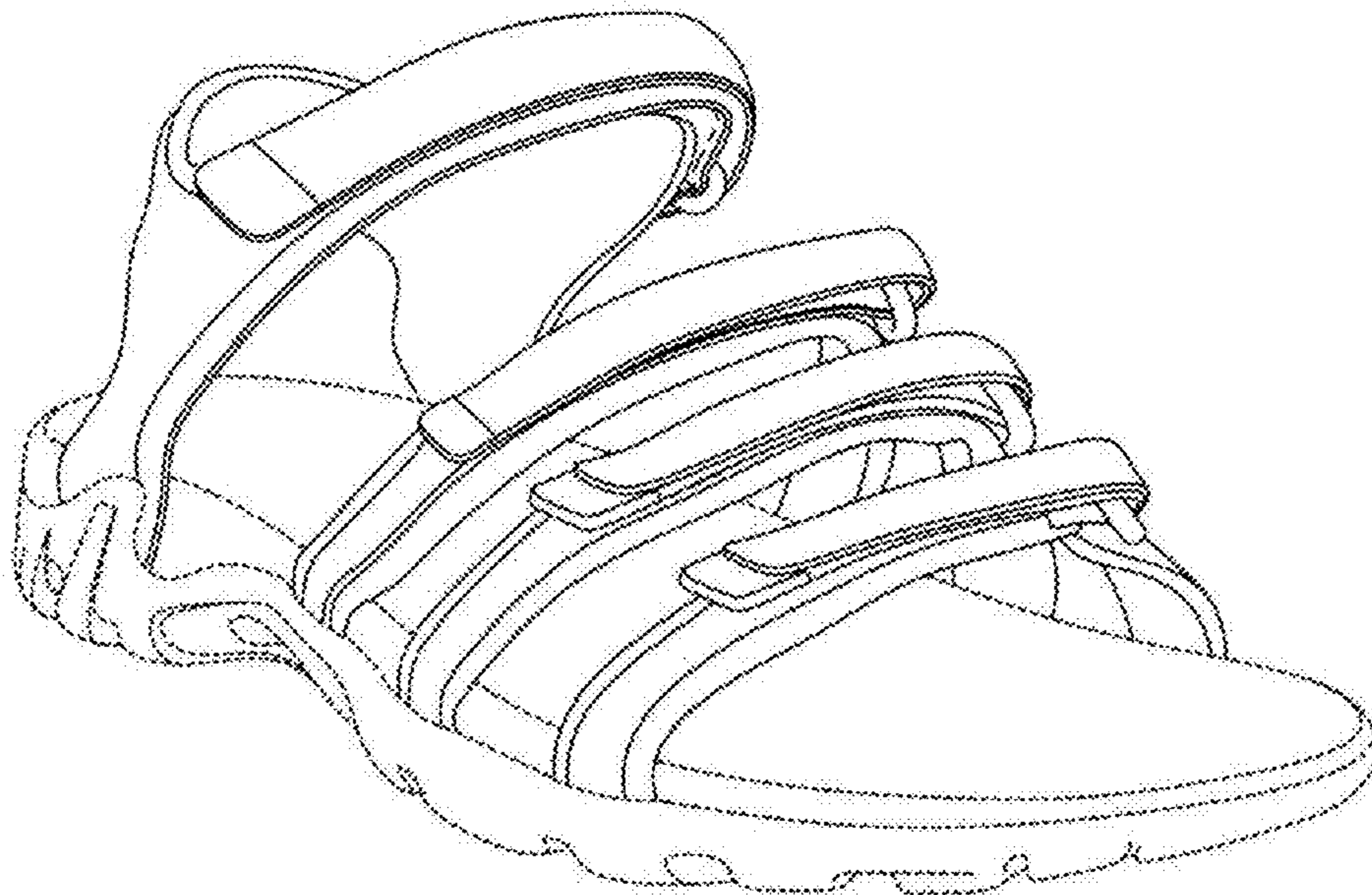
(57) **CLAIM**

The ornamental design for a sandal, as shown and described.

DESCRIPTION

FIG. 1 is a side perspective view of a sandal, embodying the design;
 FIG. 2 is a front elevation view of the sandal thereof;
 FIG. 3 is a rear elevation view of the sandal thereof;
 FIG. 4 is a side elevation view of the sandal thereof; and,
 FIG. 5 is a top plan view of the sandal thereof.
 The broken lines illustrating the footbed and sole forms no part of claimed design.

1 Claim, 5 Drawing Sheets



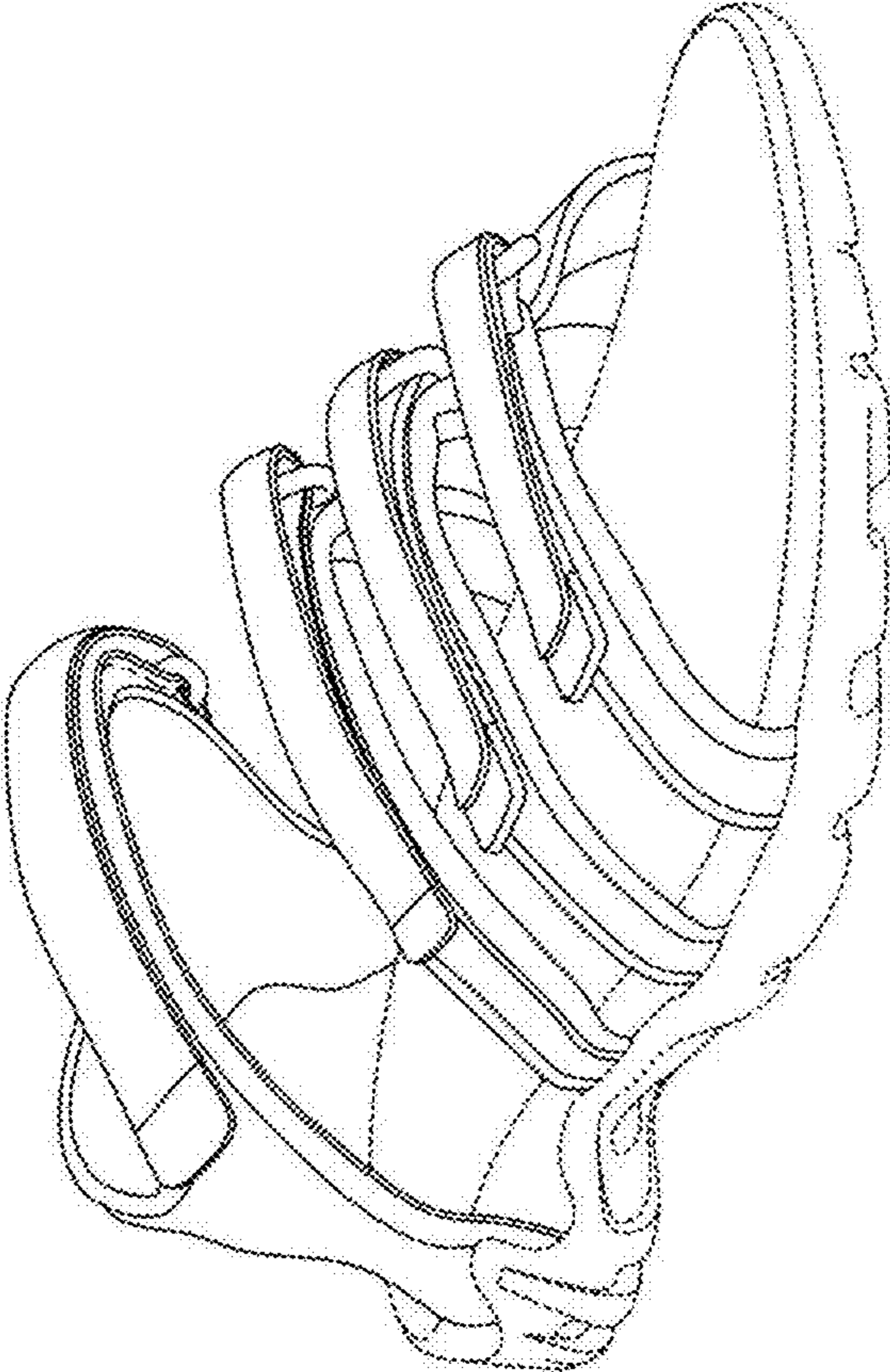


FIG.1

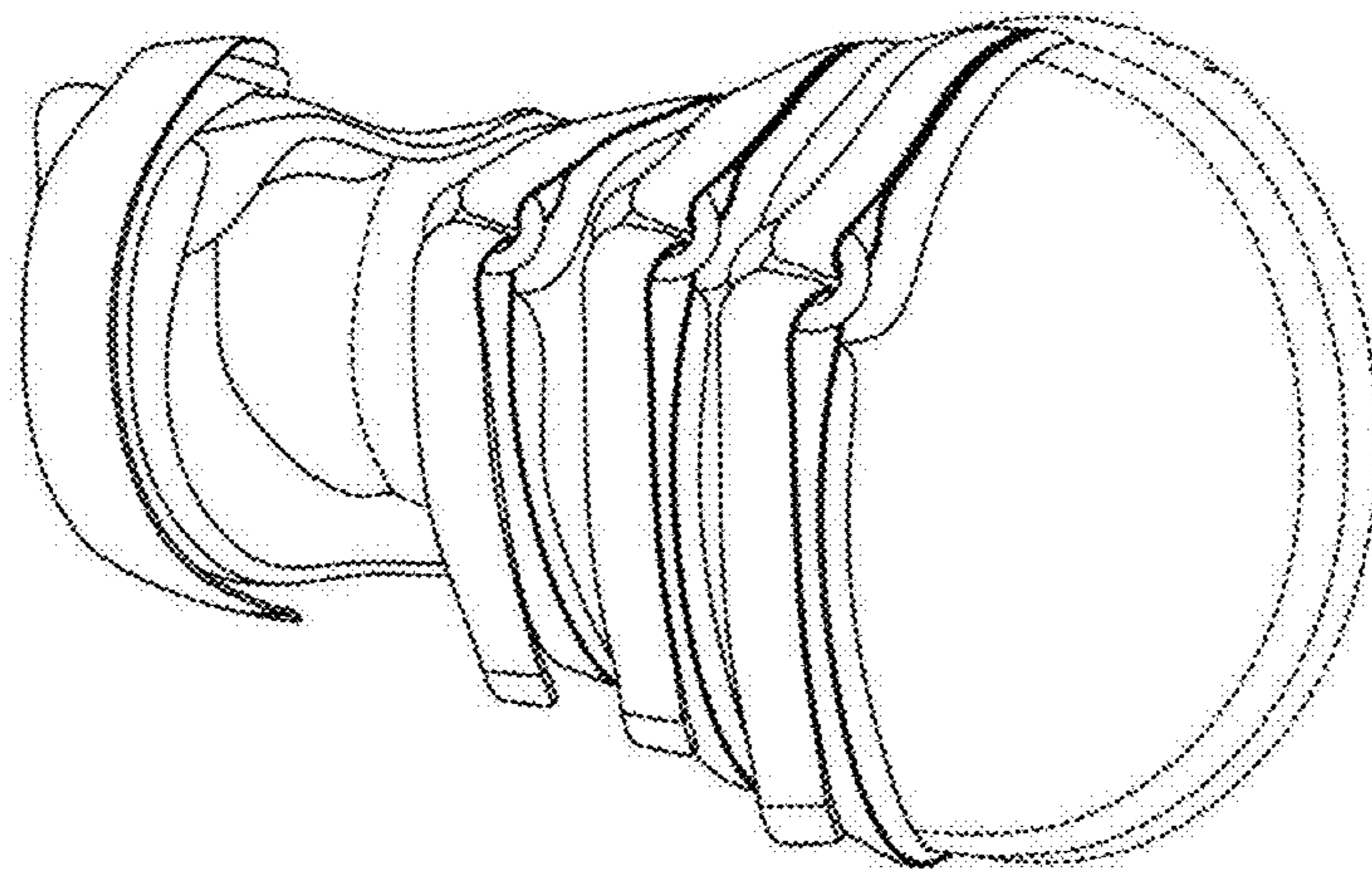


FIG.2

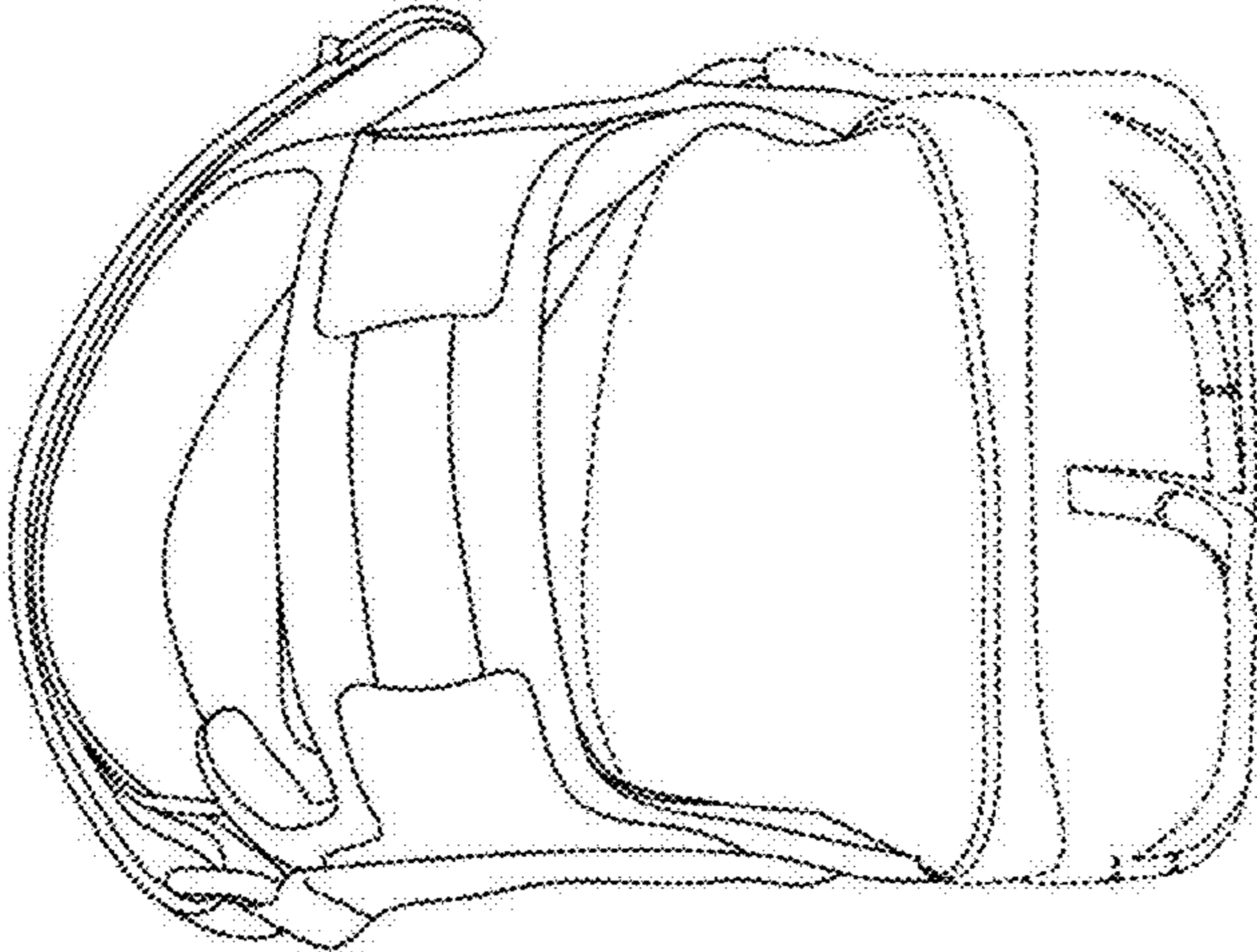


FIG.3

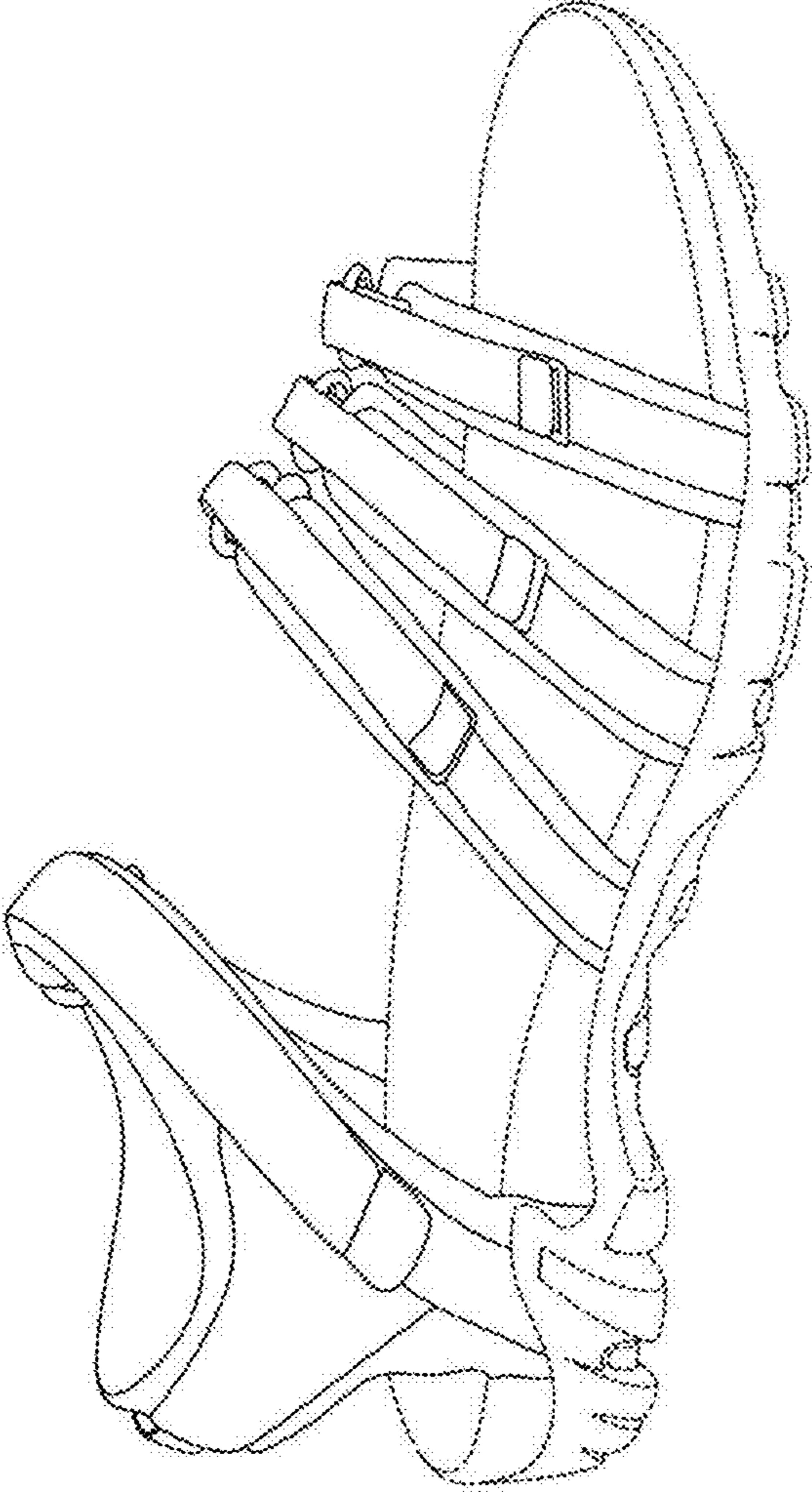


FIG.4

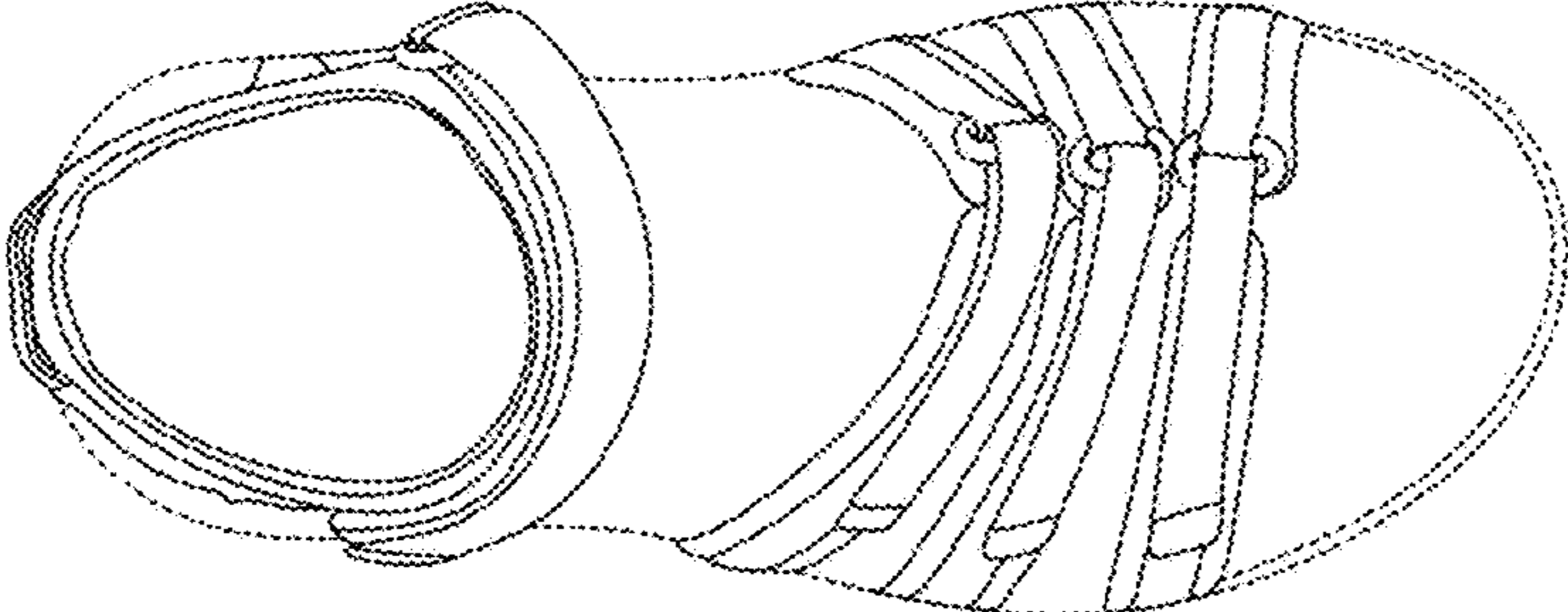


FIG. 5