



US00D852470S

(12) **United States Design Patent** (10) **Patent No.:** **US D852,470 S**
Berggren et al. (45) **Date of Patent:** **** Jul. 2, 2019**

(54) **SWEATBAND**
(71) Applicant: **3M INNOVATIVE PROPERTIES COMPANY**, St. Paul, MN (US)
(72) Inventors: **Martin A. J. M. Berggren**, Tällberg (SE); **Erik Oskar Juhlin**, Gustavsberg (SE)
(73) Assignee: **3M INNOVATIVE PROPERTIES COMPANY**, St. Paul, MN (US)

8,661,570 B2 3/2014 Huh
D736,394 S * 8/2015 Owoc D2/894
D765,918 S * 9/2016 Floyd, Jr. D2/892
D827,844 S * 9/2018 Lucas D24/207
D837,455 S * 1/2019 Dickie D29/102
2009/0271904 A1* 11/2009 Bentley A41D 20/00
2/15
2013/0219593 A1* 8/2013 Snyder A42B 3/125
2/411

(**) Term: **15 Years**

(21) Appl. No.: **29/641,318**

(22) Filed: **Mar. 21, 2018**

(51) **LOC (11) Cl.** **02-03**

(52) **U.S. Cl.**
USPC **D2/894**

(58) **Field of Classification Search**
USPC D2/865, 866, 868, 869, 871, 874, 875,
D2/877, 881, 891, 892, 894; D24/128,
D24/190; D28/41; D29/102, 104, 108
CPC A41D 20/00; A41D 20/005; A41D 23/00;
A42B 1/00; A42B 1/22; A42B 3/00;
A42B 3/04; A42B 3/046; A42B 3/06;
A42B 3/10; A42B 3/12; A42C 5/02
See application file for complete search history.

(56) **References Cited**

U.S. PATENT DOCUMENTS

3,668,704 A * 6/1972 Conroy A42B 3/122
2/413
D277,330 S * 1/1985 Wasson D2/877
4,675,919 A * 6/1987 Heine A42B 3/14
2/181
6,966,074 B2 11/2005 Huh
7,000,262 B2 2/2006 Bielefeld
7,043,772 B2 5/2006 Bielefeld et al.
7,174,575 B1 2/2007 Scherer
8,370,967 B2 2/2013 Chen

OTHER PUBLICATIONS

Weldas Sweatsopad Sweatband, 2/pkg., [on-line]; [Internet publication date unknown]; [retrieved from the Internet on Mar. 21, 2019]; URL: <https://www.conney.com/product/weldas-sweatsopad-sweatband-2-pkg->. (1 pg). (Year: 2019).*

* cited by examiner

Primary Examiner — Karen S Acker

Assistant Examiner — Jasmine Mlinarcik

(74) *Attorney, Agent, or Firm* — Johannes P. M. Kusters

(57) **CLAIM**

The ornamental design for a sweatband, as shown and described.

DESCRIPTION

FIG. 1 is a perspective view showing the new design for a sweatband;

FIG. 2 is a back view thereof;

FIG. 3 is a front view thereof;

FIG. 4 is a left side view thereof;

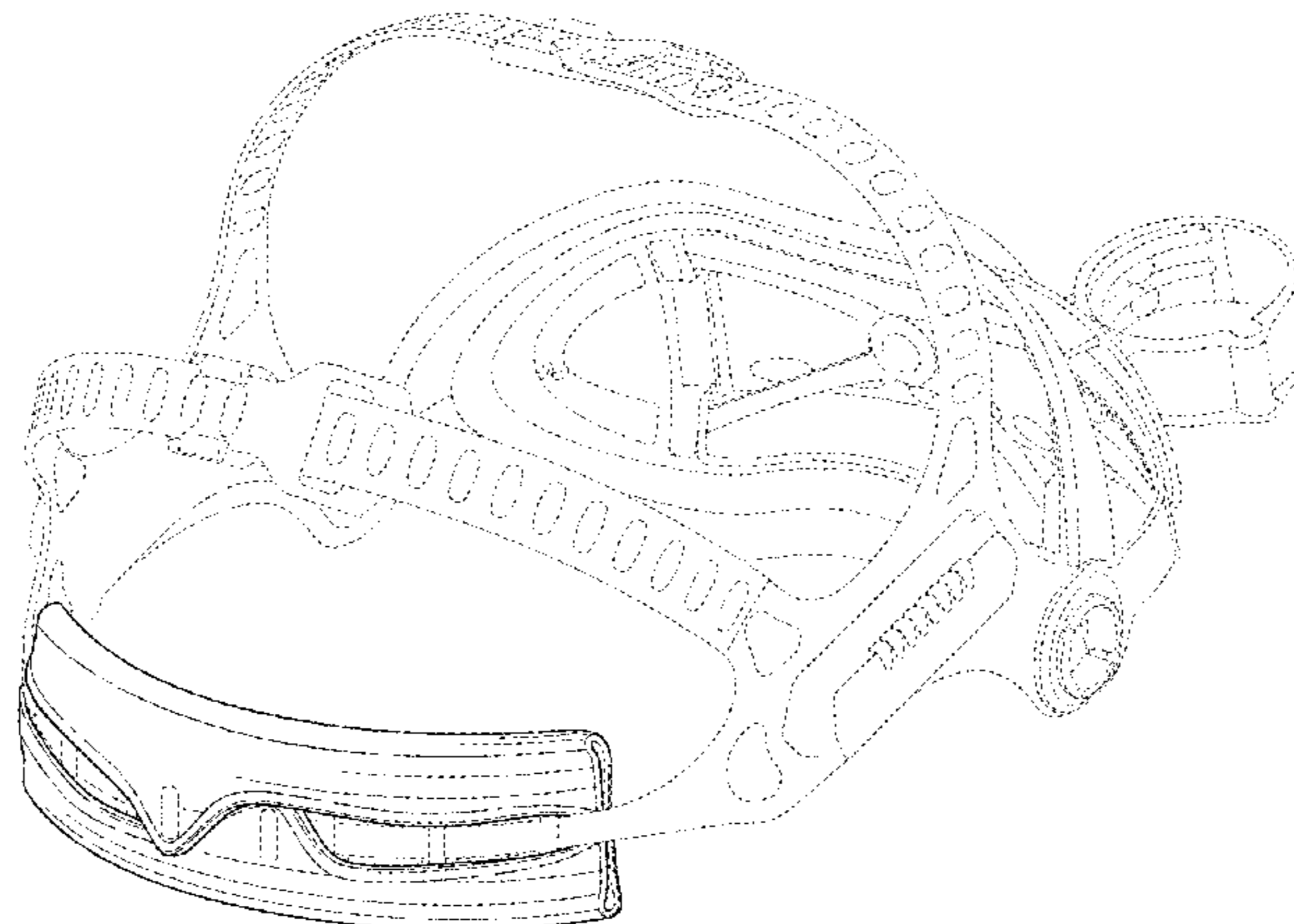
FIG. 5 is a right side view thereof;

FIG. 6 is a top view thereof; and,

FIG. 7 is a bottom view thereof.

The broken line showing of the headband depicts the environment of the claimed design and forms no part thereof. The broken lines along the sweatband depict features that form no part of the claimed design.

1 Claim, 7 Drawing Sheets



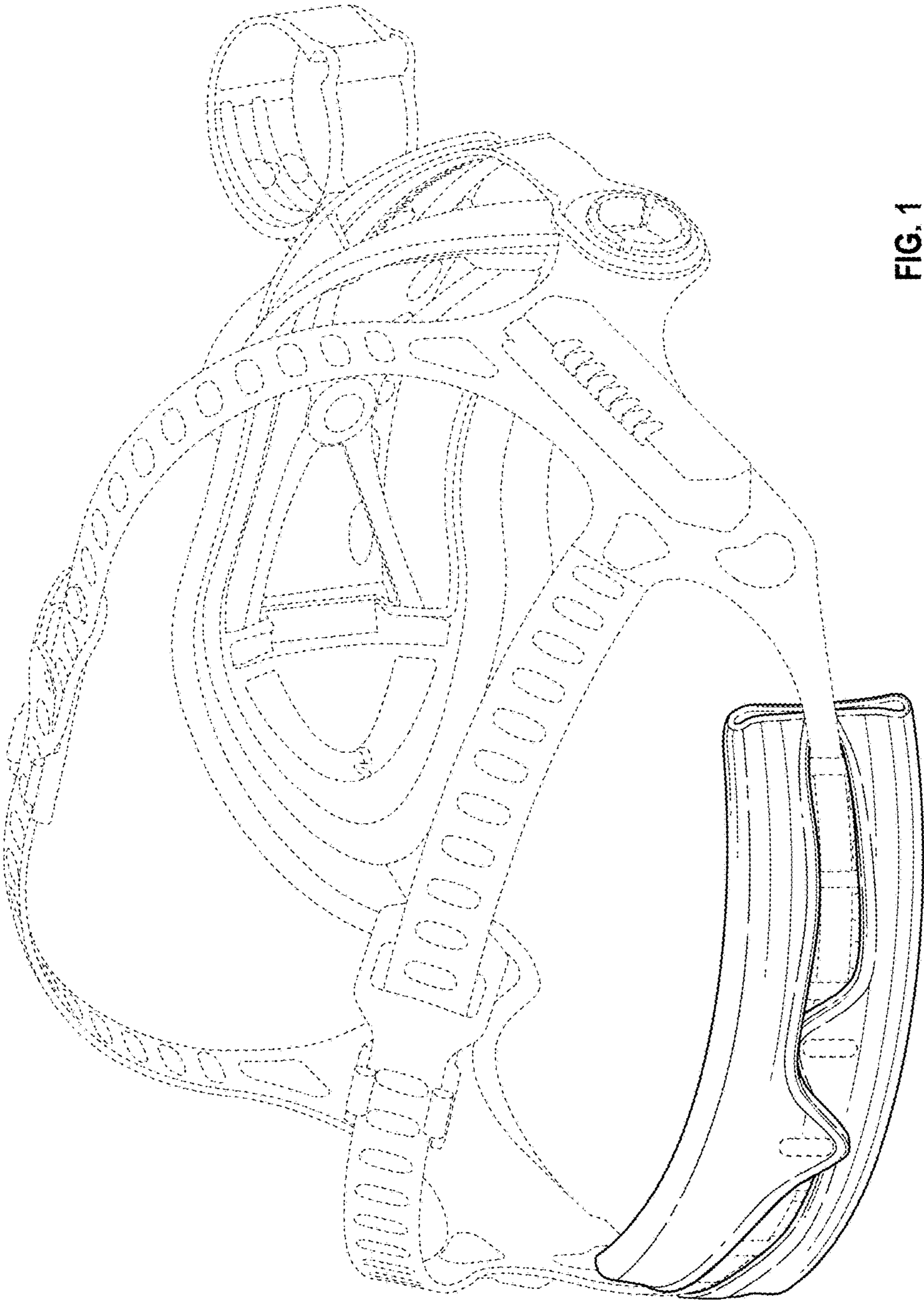


FIG. 1

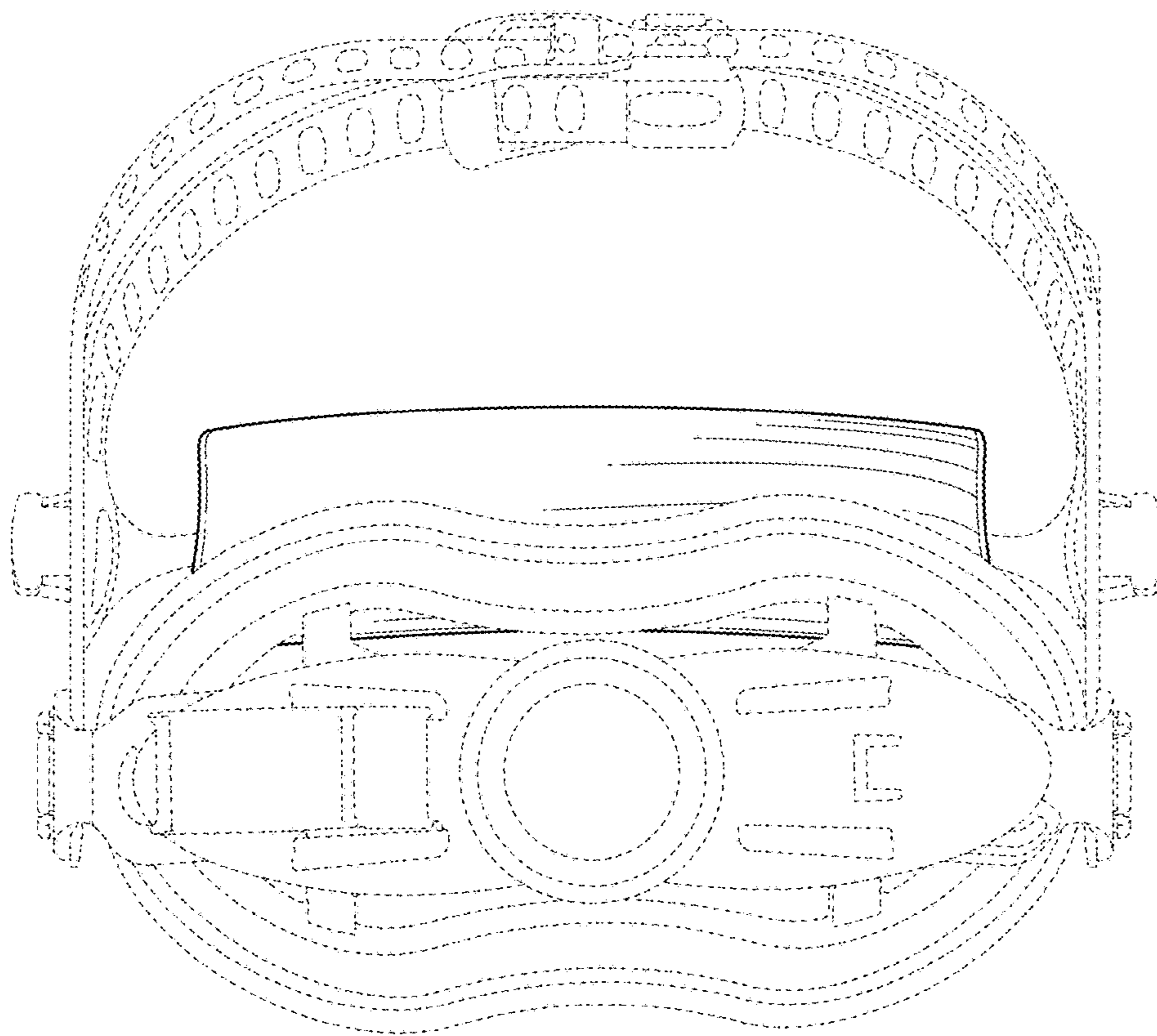


FIG. 2

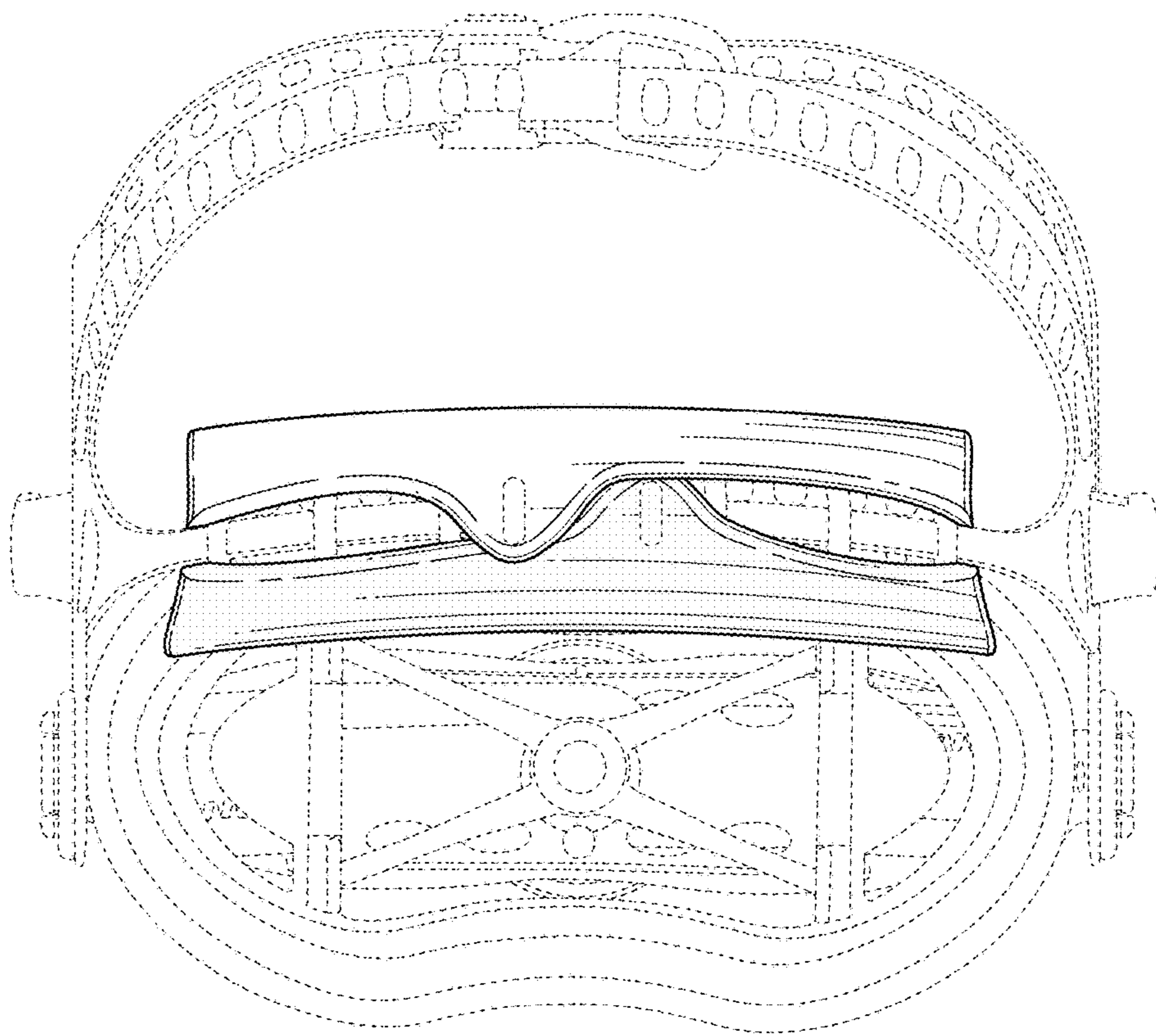


FIG. 3

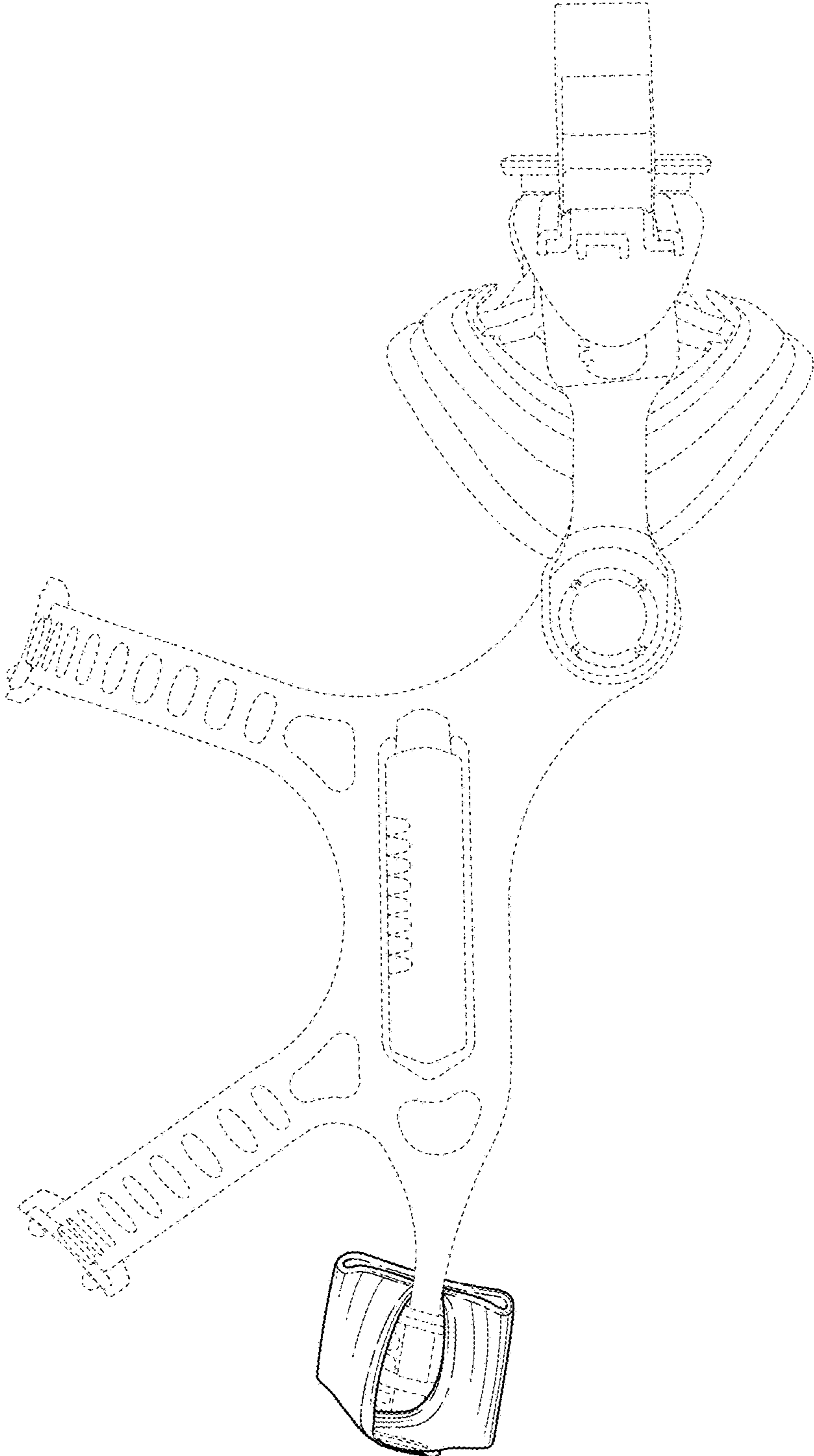


FIG. 4

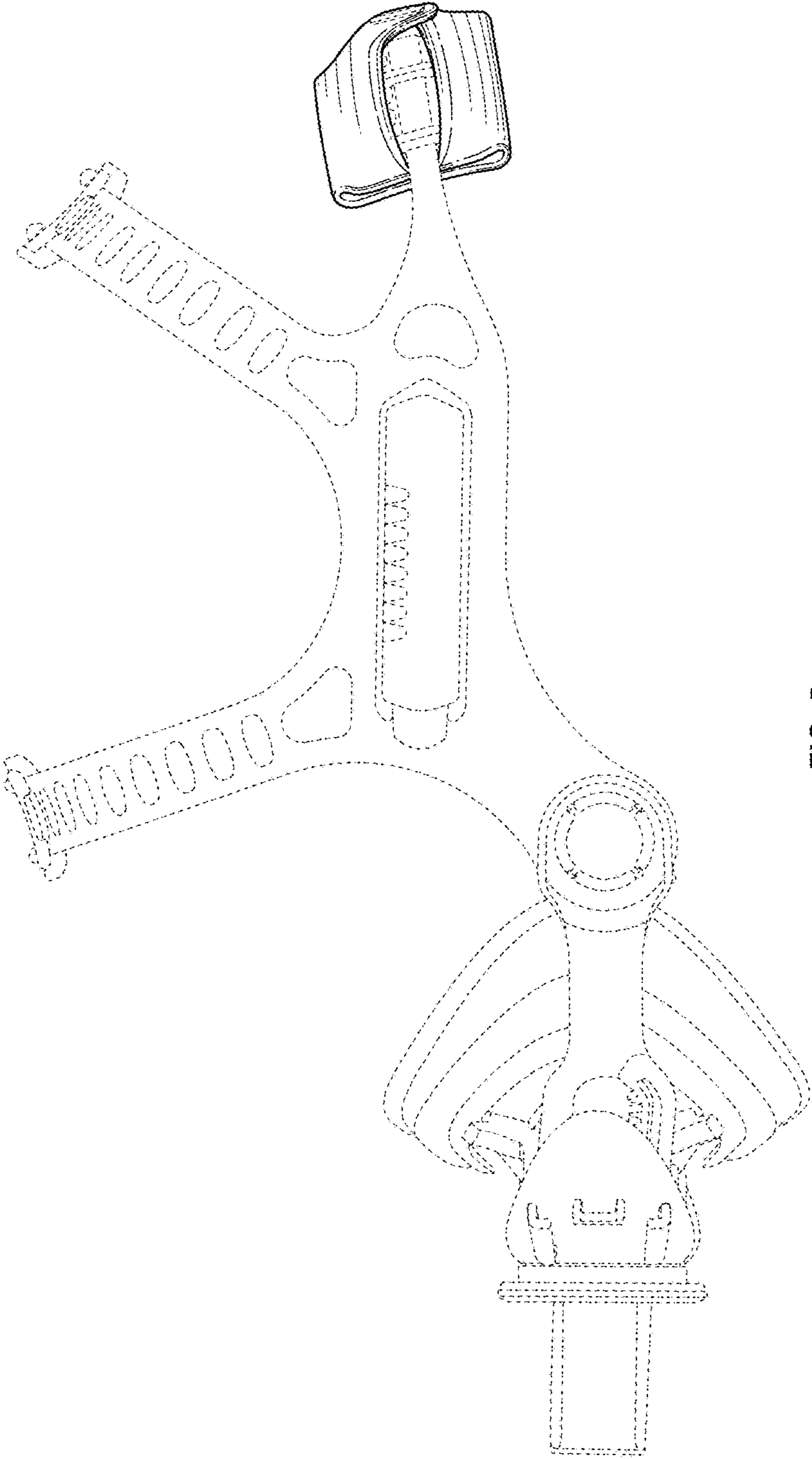


FIG. 5

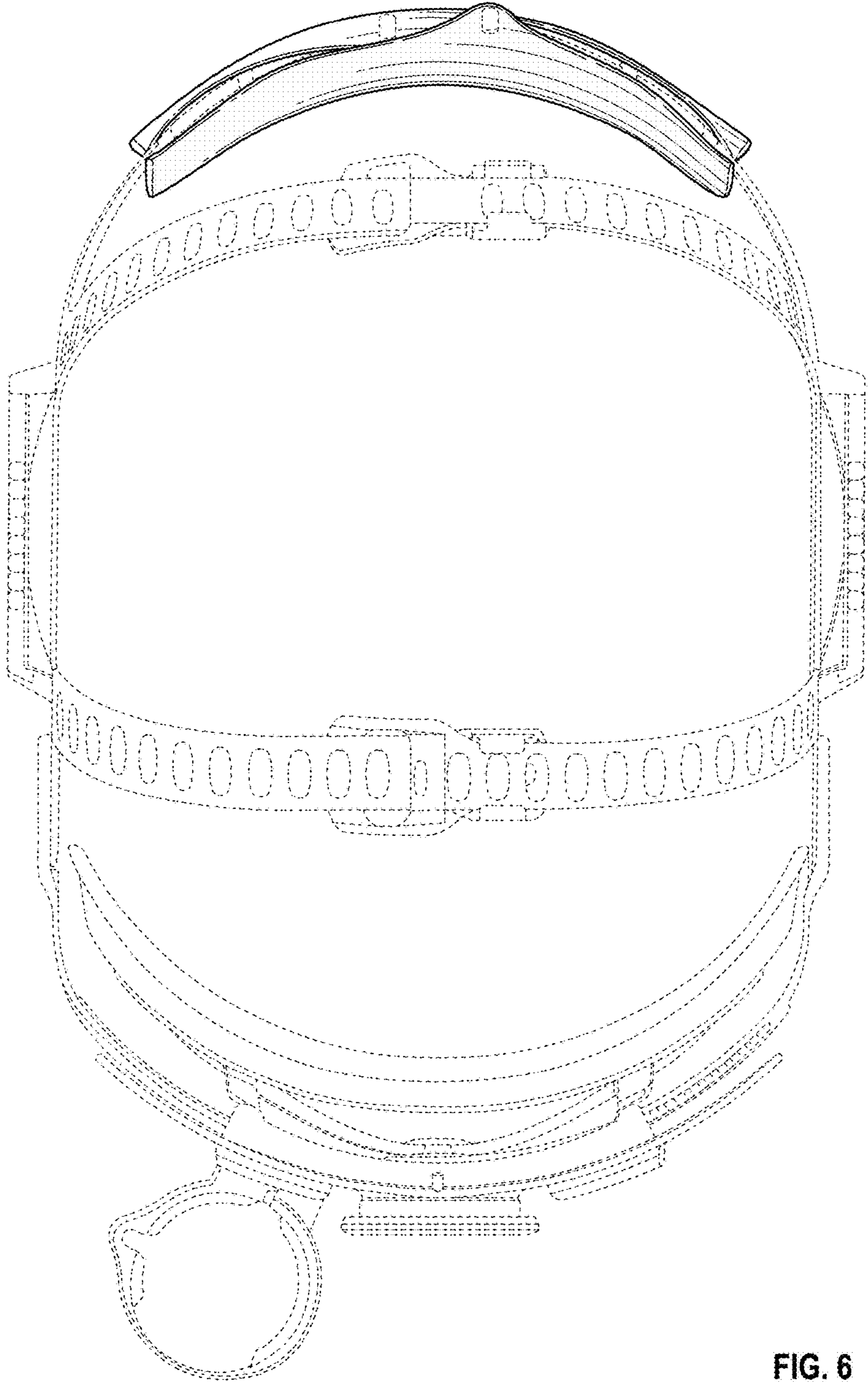


FIG. 6

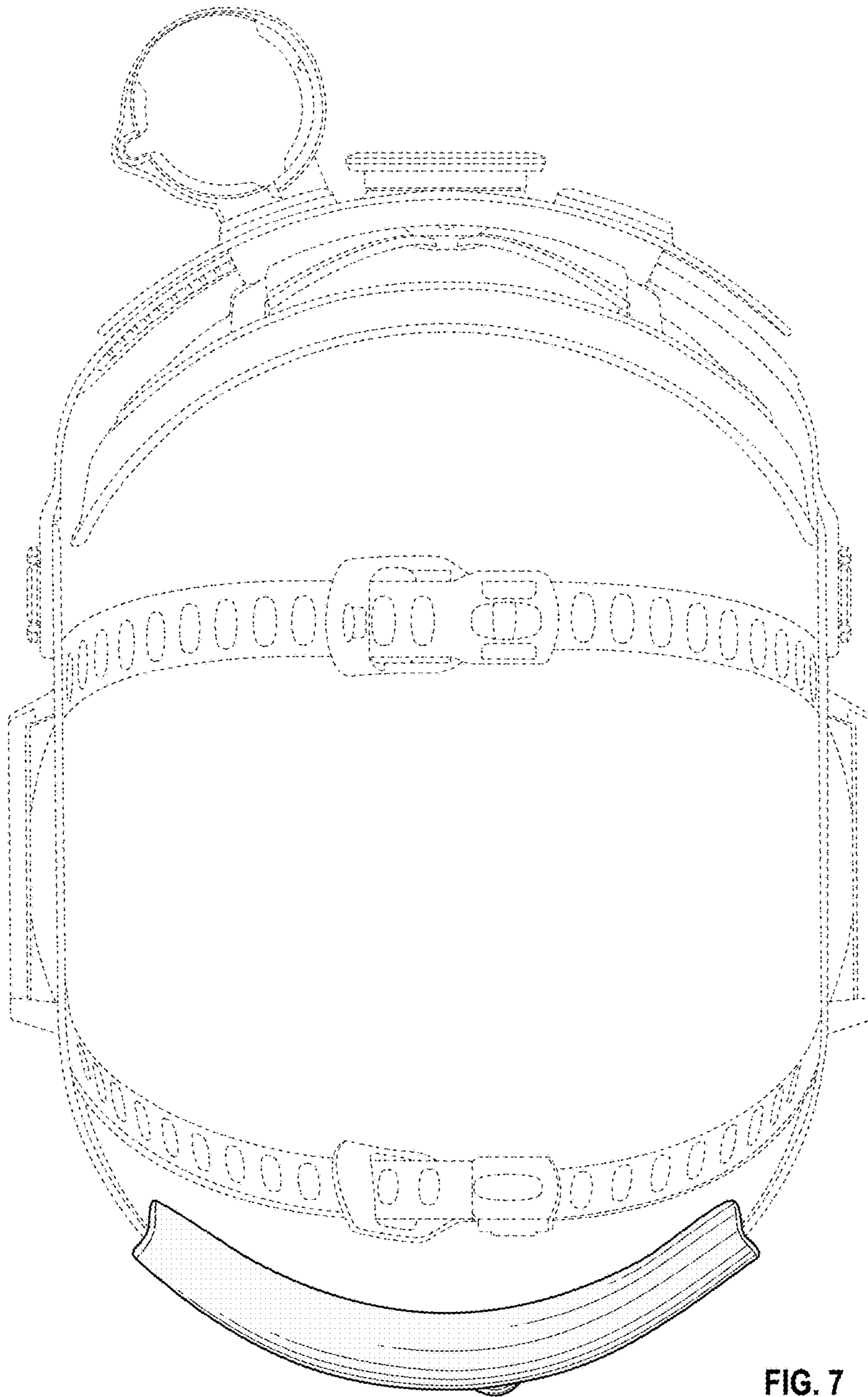


FIG. 7