



US00D852464S

(12) **United States Design Patent**  
**Kirschner**

(10) **Patent No.:** **US D852,464 S**  
(45) **Date of Patent:** **\*\* Jul. 2, 2019**

(54) **GRADUATION CAP**

(71) Applicant: **ELEGANT HEADWEAR CO., INC.**,  
Elizabeth, NJ (US)

(72) Inventor: **Hillel Kirschner**, Brooklyn, NY (US)

(73) Assignee: **Elegant Headwear Co., Inc.**, Elizabeth,  
NJ (US)

(\*\*) Term: **15 Years**

(21) Appl. No.: **29/631,791**

(22) Filed: **Jan. 3, 2018**

(51) **LOC (11) Cl.** ..... **02-03**

(52) **U.S. Cl.**

USPC ..... **D2/872**; D2/882

(58) **Field of Classification Search**

USPC ..... D2/865, 866, 869, 870, 872, 876, 879,  
D2/882, 884, 891, 895

CPC ..... A42B 1/00; A42B 1/004; A42B 1/006;  
A42B 1/02; A42B 1/062; A42B 1/22;  
A42B 1/24; A42B 1/241; A42B 1/248

See application file for complete search history.

(56) **References Cited**

**U.S. PATENT DOCUMENTS**

1,775,185	A *	9/1930	Aldrich	.....	A42B 1/02 2/171.01
2,629,874	A *	2/1953	La Maida	.....	A42B 1/02 2/171.01
2,880,423	A *	4/1959	O'Reilly	.....	A42B 1/02 2/171.01
2,899,682	A *	8/1959	La Maida	.....	A42B 1/02 2/171.01
2,987,731	A *	6/1961	Mills	.....	A42B 1/02 2/171.01
3,134,107	A *	5/1964	Kelly	.....	A42B 1/02 2/171.01
D399,037	S *	10/1998	Davis, III	.....	D2/882
D643,185	S *	8/2011	King	.....	D2/869

10,034,509	B2 *	7/2018	Pruett	.....	A42B 1/24
2002/0020087	A1 *	2/2002	Griffith	.....	G09F 1/10 40/124.4
2004/0010840	A1 *	1/2004	Lin	.....	A42B 1/02 2/171.01
2016/0174646	A1 *	6/2016	Burns	.....	A42B 1/004 2/171.01

**OTHER PUBLICATIONS**

Autograph Graduation Cap with Tassel Pen, [on-line]; [Internet publication date unknown]; [retrieved from the Internet on Jan. 29, 2019]; URL: see provided copy. (1 pg). (Year: 2019).\*

\* cited by examiner

*Primary Examiner* — Karen S Acker

*Assistant Examiner* — Jasmine Mlinarcik

(74) *Attorney, Agent, or Firm* — Galgano IP Law PLLC;  
Thomas M. Galgano

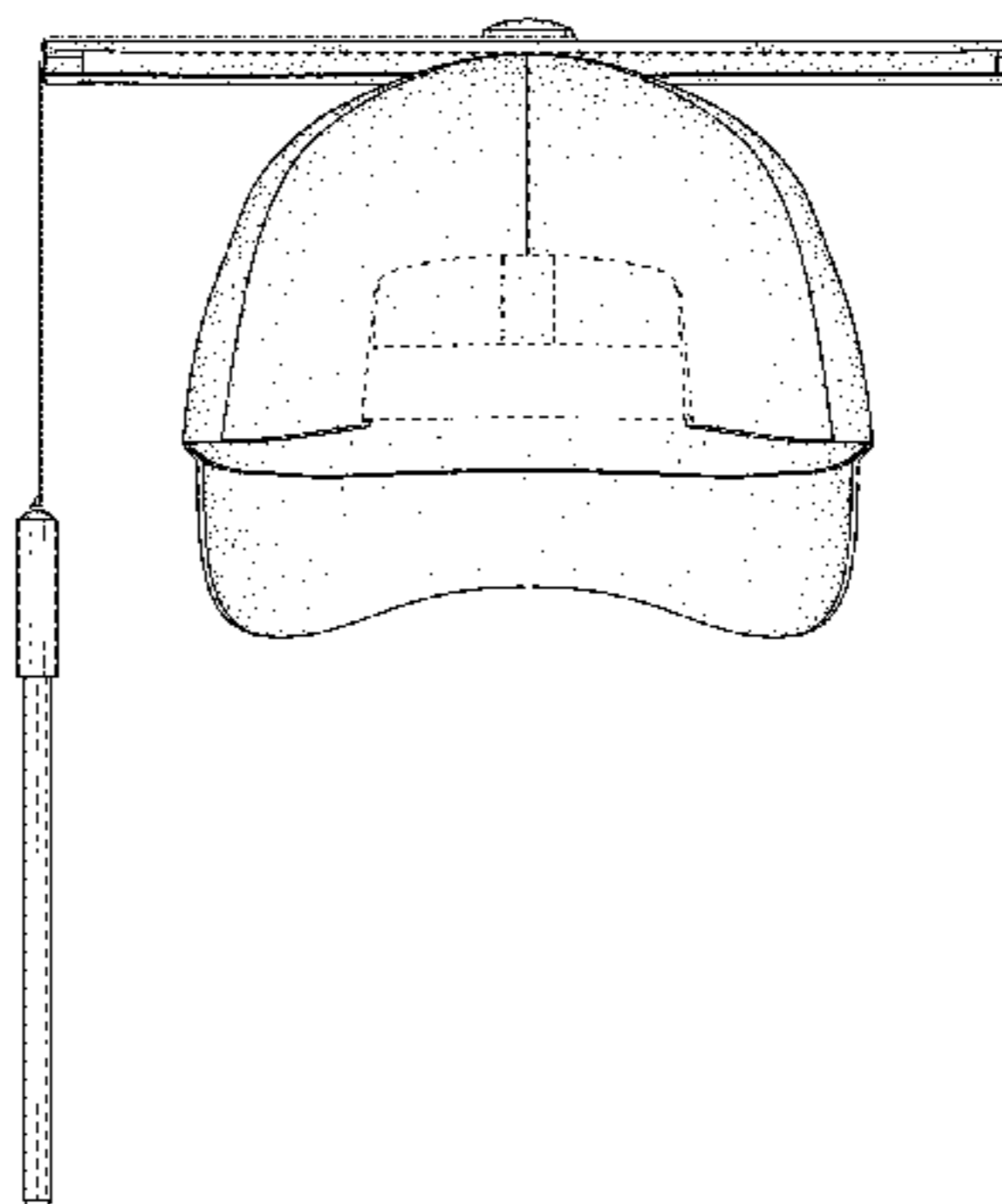
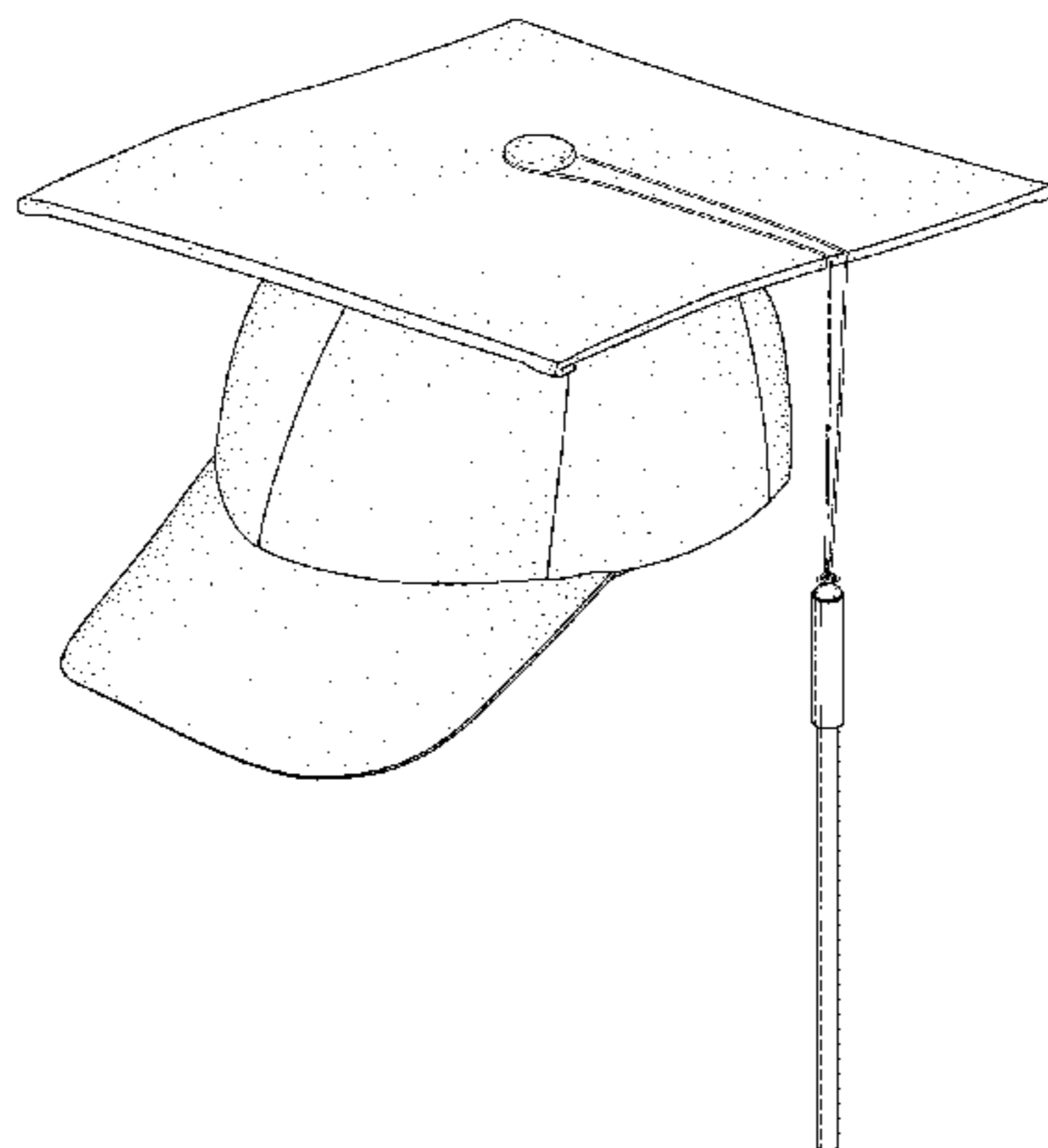
(57) **CLAIM**

The ornamental design for a graduation cap, as shown and described.

**DESCRIPTION**

FIG. 1 is a front and right side perspective view of a graduation cap, showing my new design; FIG. 2 is a left side elevation view thereof; FIG. 3 is a right side elevation view thereof; FIG. 4 is a front elevation view thereof; FIG. 5 is a rear elevation view thereof; FIG. 6 is a top plan view thereof; and, FIG. 7 is a bottom plan view thereof. The broken lines shown in the drawings illustrate portions of the graduation cap which form no part of the claimed design.

**1 Claim, 7 Drawing Sheets**



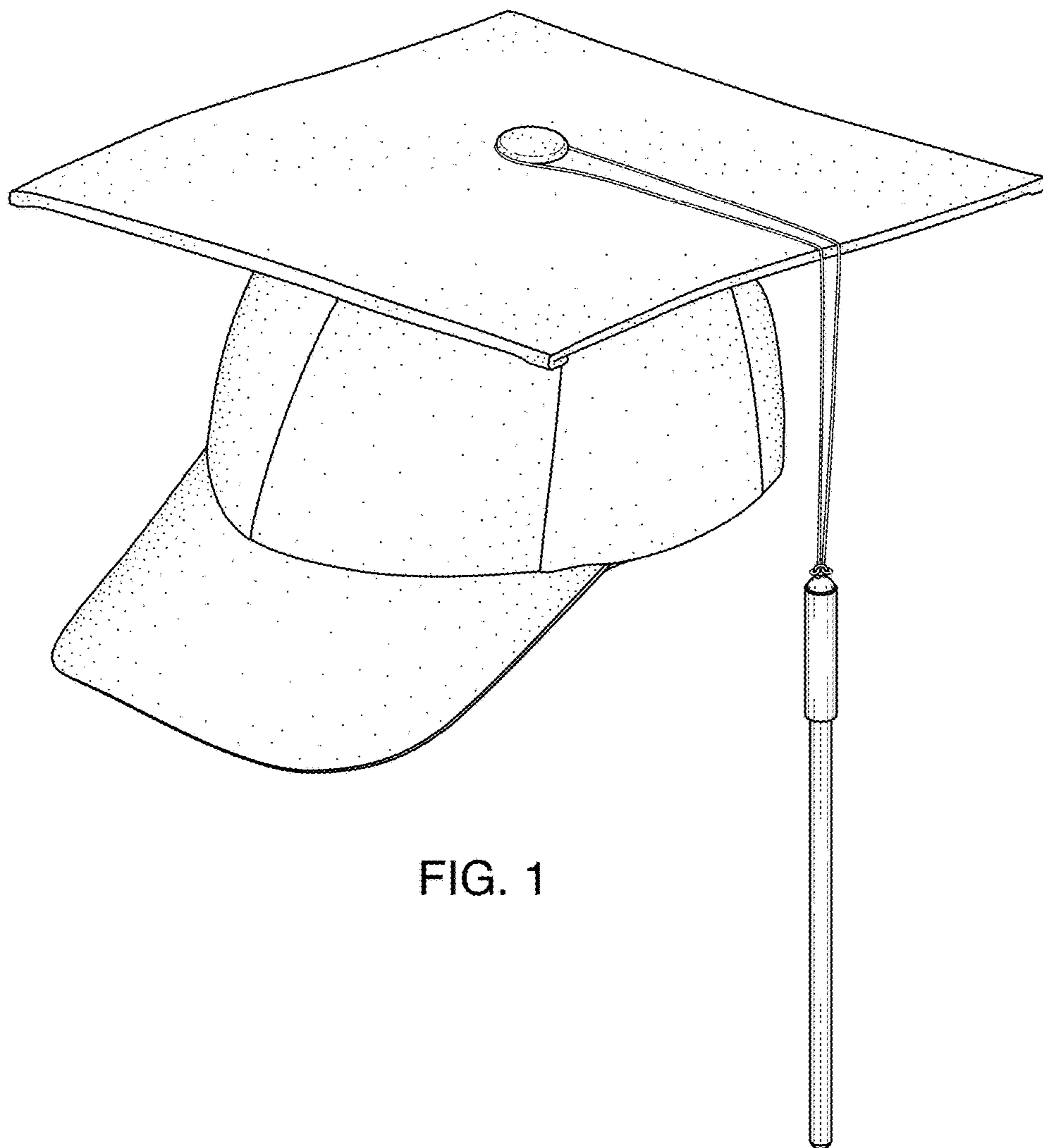


FIG. 1

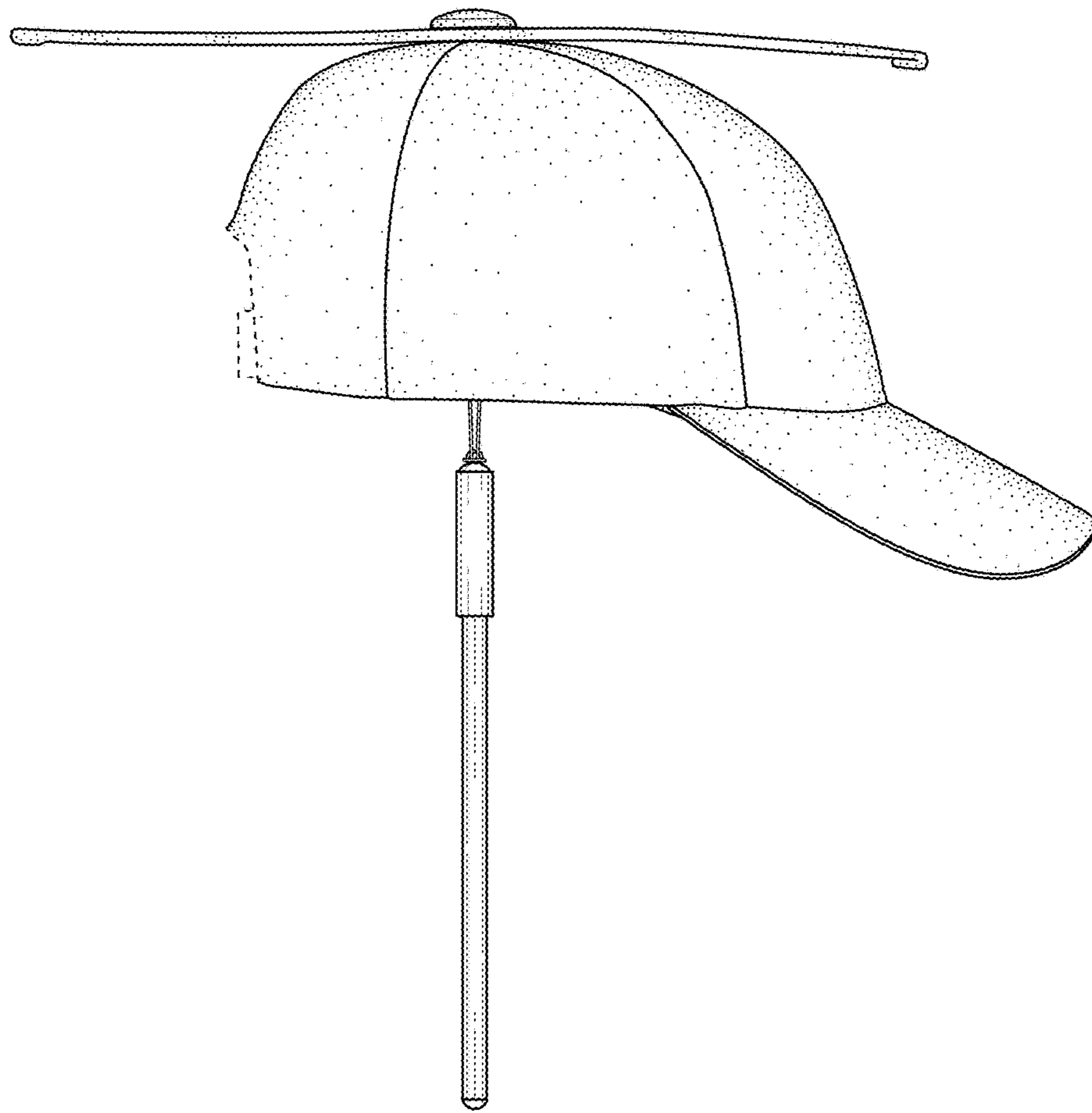


FIG. 2

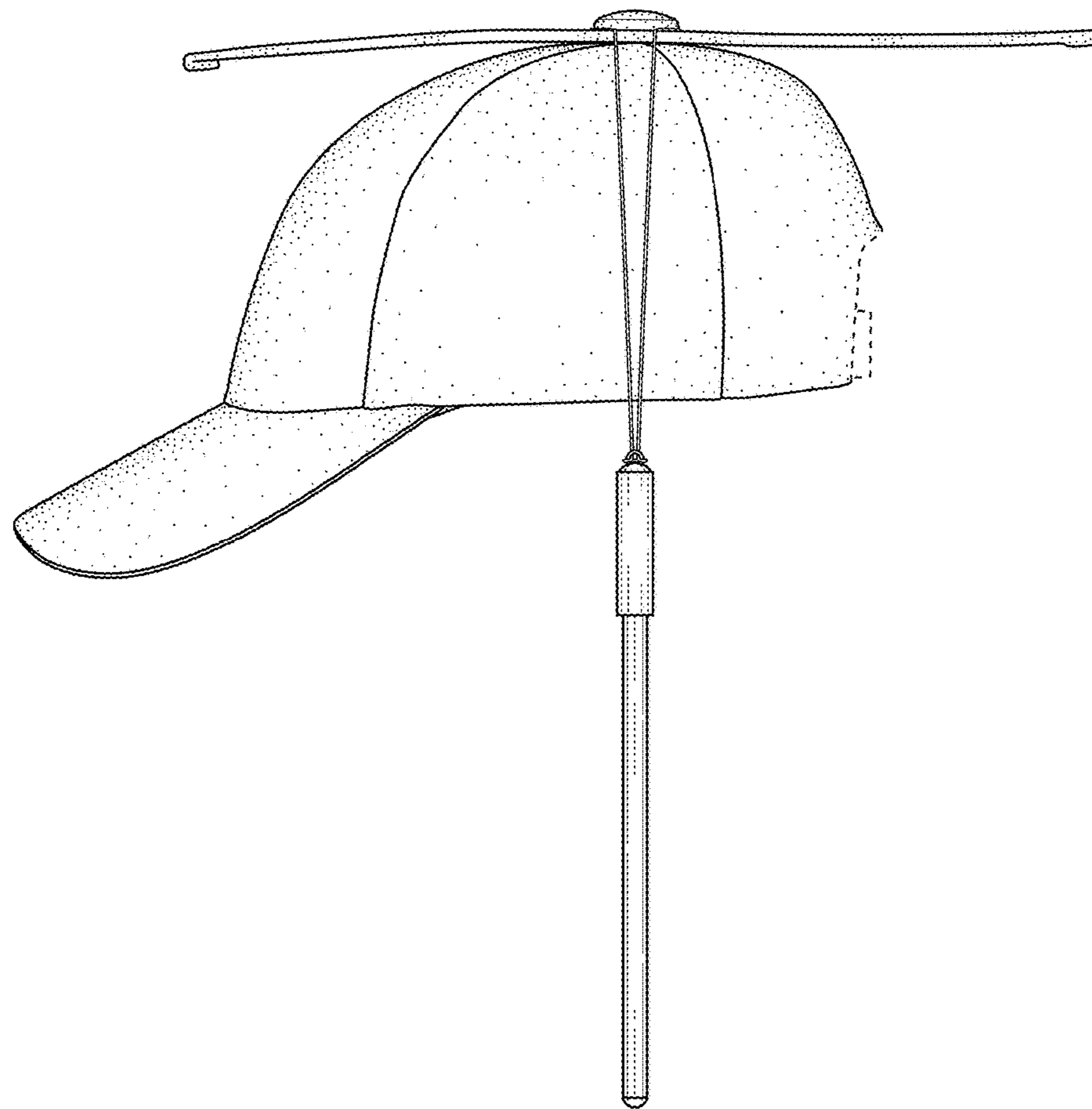


FIG. 3

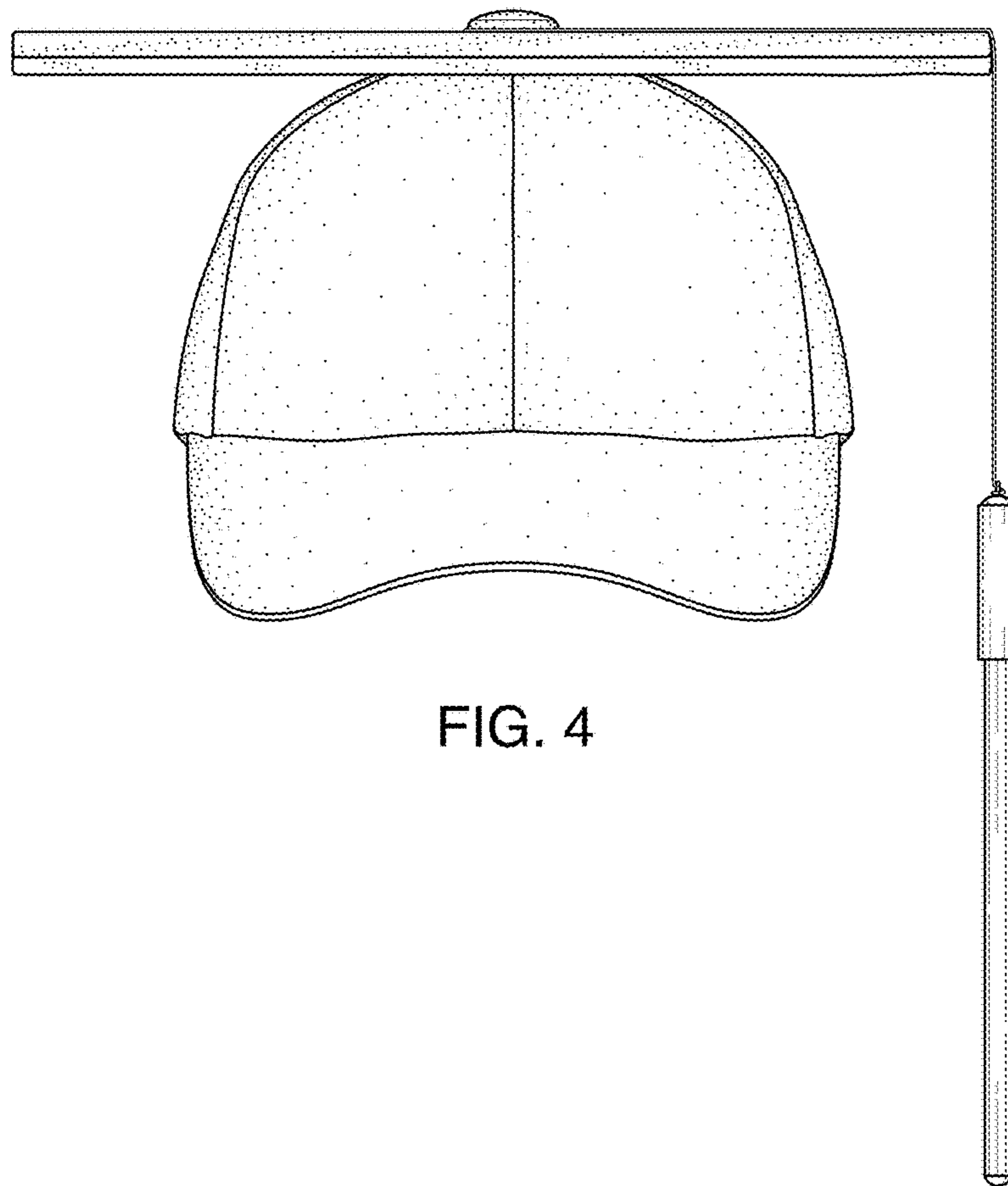


FIG. 4

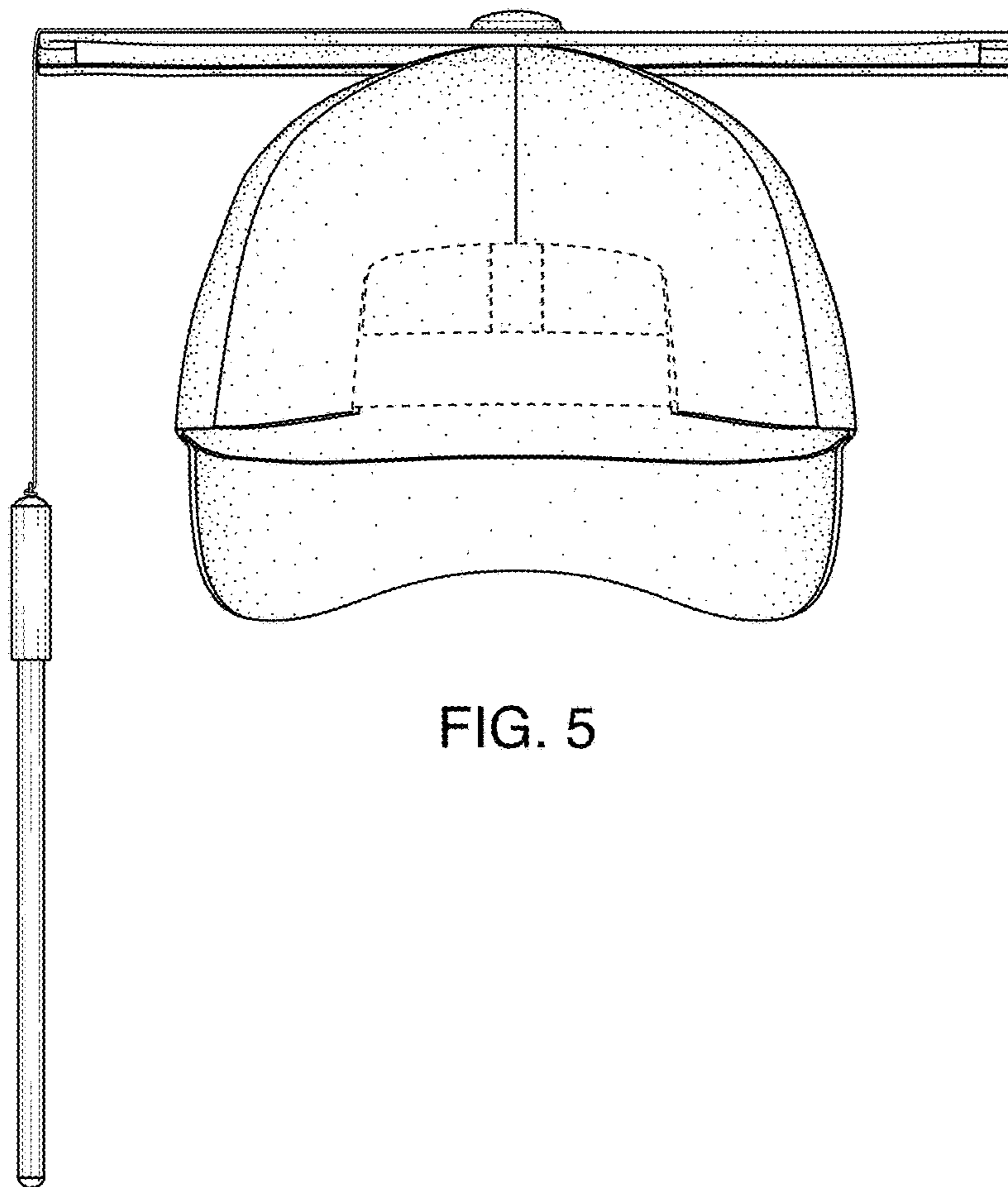


FIG. 5

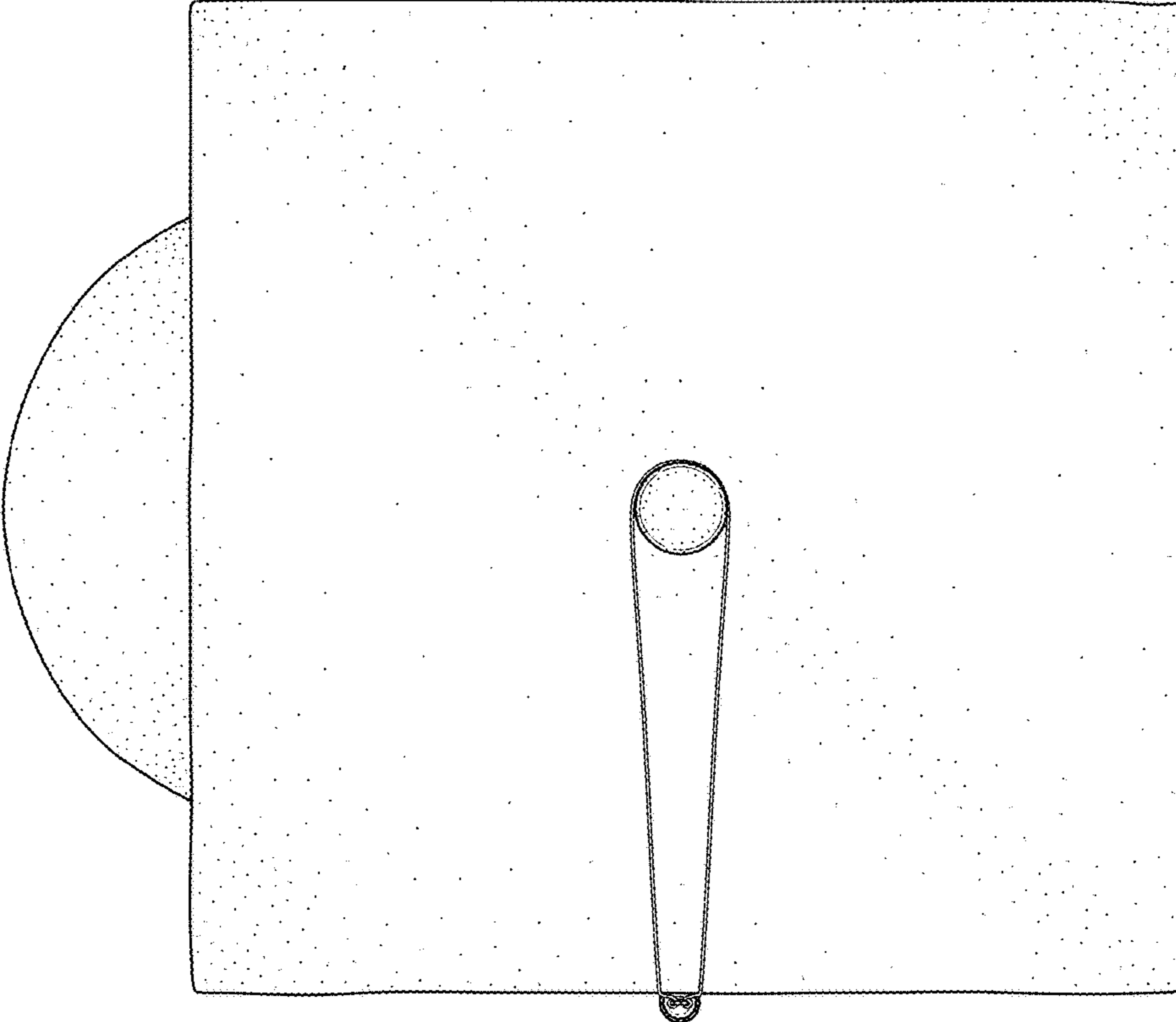


FIG. 6

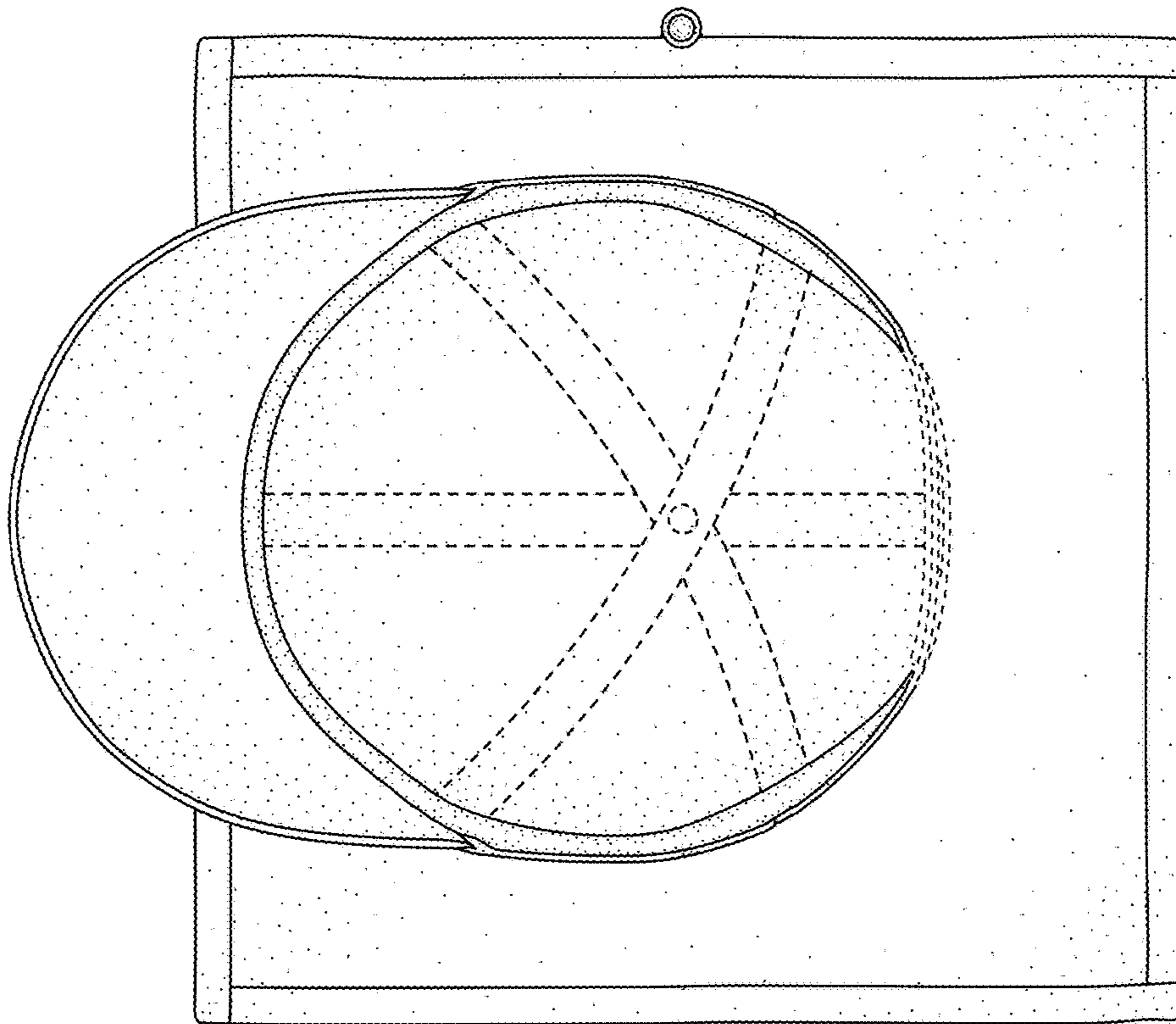


FIG. 7