



US00D852456S

(12) **United States Design Patent**  
**Colquhoun et al.**

(10) **Patent No.:** **US D852,456 S**  
(45) **Date of Patent:** **\*\* Jul. 2, 2019**

(54) **FOOD PRODUCT**

(71) Applicant: **Mars, Incorporated**, McLean, VA (US)

(72) Inventors: **Duncan Colquhoun**, Bath (GB); **John Macdonald**, Bath (GB); **Matthew Wright**, Bath (GB)

(73) Assignee: **Mars, Incorporated**, McLean, VA (US)

(\*\*) Term: **15 Years**

(21) Appl. No.: **29/588,254**

(22) Filed: **Dec. 19, 2016**

(51) **LOC (11) Cl.** ..... **01-01**

(52) **U.S. Cl.**  
USPC ..... **D1/125**

(58) **Field of Classification Search**  
USPC ..... D1/100–130, 199; 426/5, 76, 87, 92, 94,  
426/95, 99, 101, 103, 104, 108, 134,  
(Continued)

(56) **References Cited**

**U.S. PATENT DOCUMENTS**

D23,691 S \* 10/1894 Gardiner ..... 84/330  
1,518,587 A \* 12/1924 Laskey ..... A23G 3/0294  
425/382 R

(Continued)

**OTHER PUBLICATIONS**

“10 Pcs Miniature Faked Food Strawberry Decoration Sauce.”  
MiniHands on Etsy. Jun. 13, 2016. Web. Dec. 20, 2017. <<https://www.etsy.com/shop/MiniHands/reviews?ref=pagination&page=6>>.\*

(Continued)

*Primary Examiner* — Katie Jane Stofko

(74) *Attorney, Agent, or Firm* — Greenberg Traurig, LLP

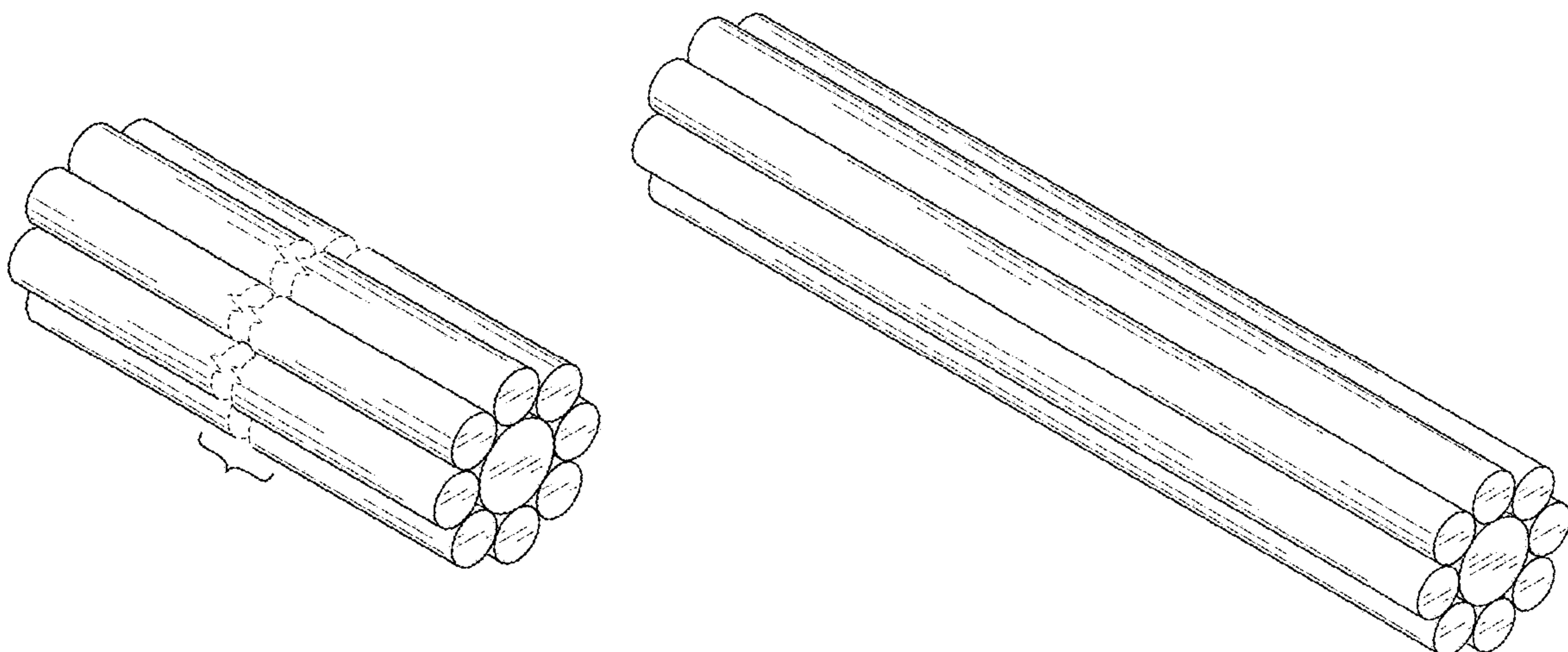
(57) **CLAIM**

The ornamental design for a food product, as shown and described.

**DESCRIPTION**

FIG. 1 is a front, left, top perspective view of a first embodiment of a food product showing our new design; FIG. 2 is a front elevation view of the first embodiment of the food product shown in FIG. 1; FIG. 3 is a rear elevation view of the first embodiment of the food product shown in FIG. 1; FIG. 4 is a left side elevation view of the first embodiment of the food product shown in FIG. 1; FIG. 5 is a right side elevation view of the first embodiment of the food product shown in FIG. 1; FIG. 6 is a top plan view of the first embodiment of the food product shown in FIG. 1; FIG. 7 is a bottom plan view of the first embodiment of the food product shown in FIG. 1; FIG. 8 is a front, left, top perspective view of a second embodiment of a food product showing our new design; FIG. 9 is a front elevation view of the second embodiment of the food product shown in FIG. 8; FIG. 10 is a rear elevation view of the second embodiment of the food product shown in FIG. 8; FIG. 11 is a left side elevation view of the second embodiment of the food product shown in FIG. 8; FIG. 12 is a right side elevation view of the second embodiment of the food product shown in FIG. 8; FIG. 13 is a top plan view of the second embodiment of the food product shown in FIG. 8; and, FIG. 14 is a bottom plan view of the second embodiment of the food product shown in FIG. 8. The break lines shown in the middle portion of the food product in FIGS. 1 and 4-7 indicate that the appearance of any portion of the article between the break lines forms no part of the claimed design.

**1 Claim, 6 Drawing Sheets**



- (58) **Field of Classification Search**  
 USPC ..... 426/138–139, 143, 144, 279, 282, 283,  
 426/391, 514, 549, 559, 560, 660, 808;  
 D9/430, 439, 754; 521/50; D13/110;  
 220/574; D8/83; D21/487; D26/37, 38,  
 D26/46, 49  
 CPC ..... A21D 13/0029; A21D 13/0074; A21D  
 13/0022; A21D 13/0006; A23L 1/1641;  
 A23L 1/005  
 See application file for complete search history.

(56) **References Cited**

U.S. PATENT DOCUMENTS

2,134,026 A \* 10/1938 Brooks ..... A21C 11/02  
 426/275  
 D116,174 S \* 8/1939 Trabold ..... D1/199  
 2,279,625 A \* 4/1942 Lancaster ..... B64C 9/32  
 174/173  
 3,296,357 A \* 1/1967 Greber ..... H02G 7/14  
 174/135  
 3,726,079 A \* 4/1973 Feild ..... D01D 5/423  
 28/103  
 D254,159 S \* 2/1980 Daline ..... D1/103  
 4,425,397 A \* 1/1984 George ..... C04B 26/06  
 174/121 SR  
 D309,520 S \* 7/1990 Thomassen ..... D1/121  
 D312,692 S \* 12/1990 Bradley ..... D24/230  
 5,642,852 A \* 7/1997 Suzuki ..... B23K 20/10  
 228/110.1  
 5,763,823 A \* 6/1998 Siekierka ..... H01B 7/0009  
 174/113 R  
 D412,798 S \* 8/1999 Lewis, Sr. .... D6/672

6,526,834 B1 \* 3/2003 Kohler ..... G01G 3/13  
 73/777  
 D502,822 S \* 3/2005 Chandaria ..... D6/682.2  
 D512,810 S \* 12/2005 Englisch ..... 426/805  
 7,234,828 B2 \* 6/2007 Kelly ..... G02B 6/0005  
 313/511  
 D563,978 S \* 3/2008 Leute ..... D14/489  
 7,886,490 B2 \* 2/2011 Maekawa ..... E02D 5/808  
 52/223.14  
 D639,526 S \* 6/2011 Allen ..... D1/125  
 8,382,534 B2 \* 2/2013 Lenhart ..... F16F 1/045  
 439/843  
 D682,595 S \* 5/2013 Altier ..... D6/682.2  
 D700,936 S \* 3/2014 Parker ..... D19/85  
 9,045,856 B2 \* 6/2015 Hachisuka ..... D07B 1/0686  
 9,954,335 B2 \* 4/2018 Hasegawa ..... H01R 43/0484  
 10,090,079 B2 \* 10/2018 Yoshida ..... H01B 13/34  
 10,109,391 B2 \* 10/2018 Richmond ..... H01B 1/026  
 2018/0209093 A1 \* 7/2018 Traxl ..... D07B 1/005

OTHER PUBLICATIONS

“Dowels.” Collins Reinforcements. Jun. 27, 2016. Web. Dec. 20, 2017. <<https://www.etsy.com/shop/MiniHands/reviews?ref=pagination&page=6>>.\*  
 “Creativity Street Wooden Dowel Rods.” Dickblick. Apr. 24, 2014. Web. May 16, 2018. <<https://www.dickblick.com/products/creativity-street-wooden-dowel-rods/>>.\*  
 Esther. “Bundle Pencil Eraser Stamping—Stamp Flowers and Grape Bunches.” Craft to Art. Oct. 5, 2011. Web. Jan. 25, 2019. <<http://www.crafttoart.com/2011/10/bundle-pencil-eraser-stamping.html>>.\*

\* cited by examiner

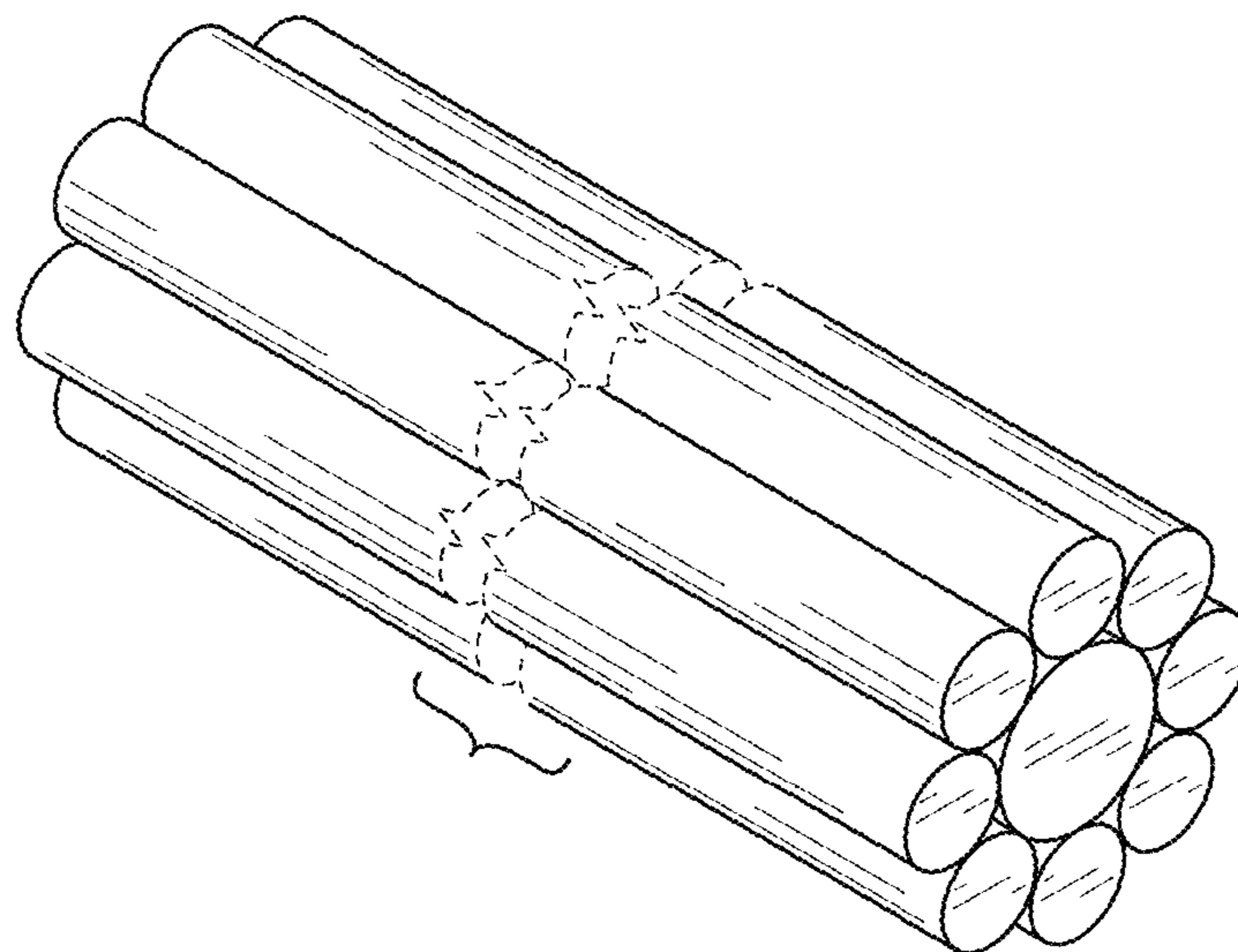


FIG. 1

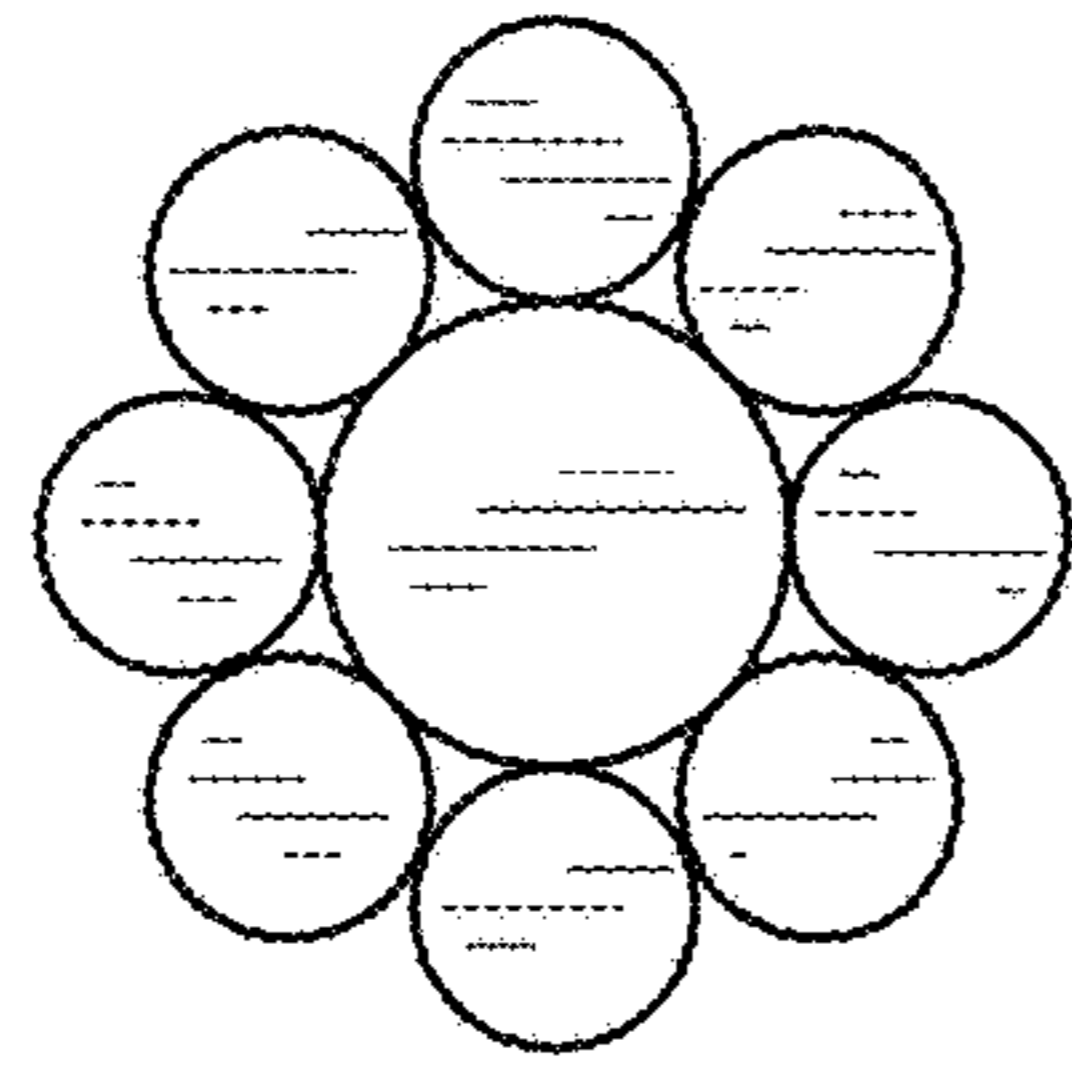


FIG. 2

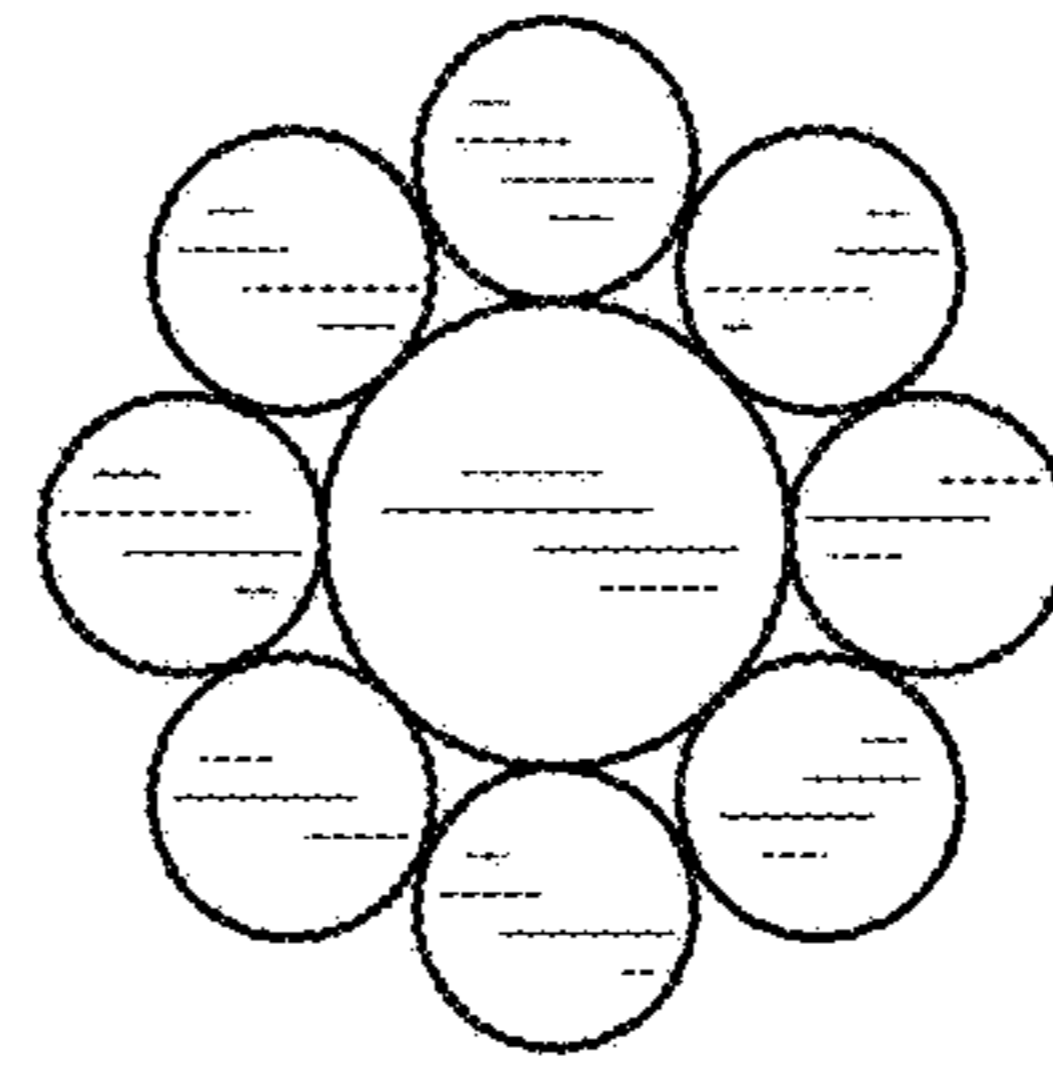


FIG. 3

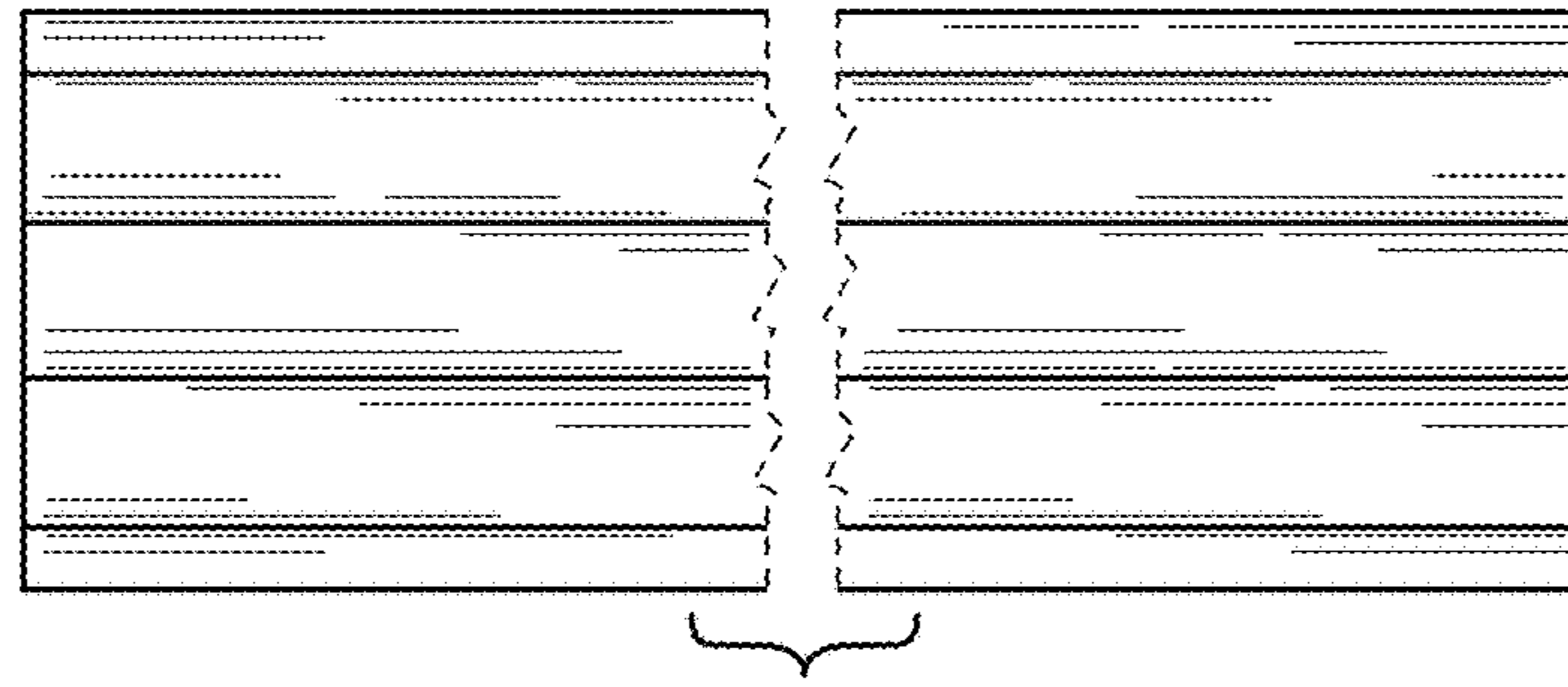


FIG. 4

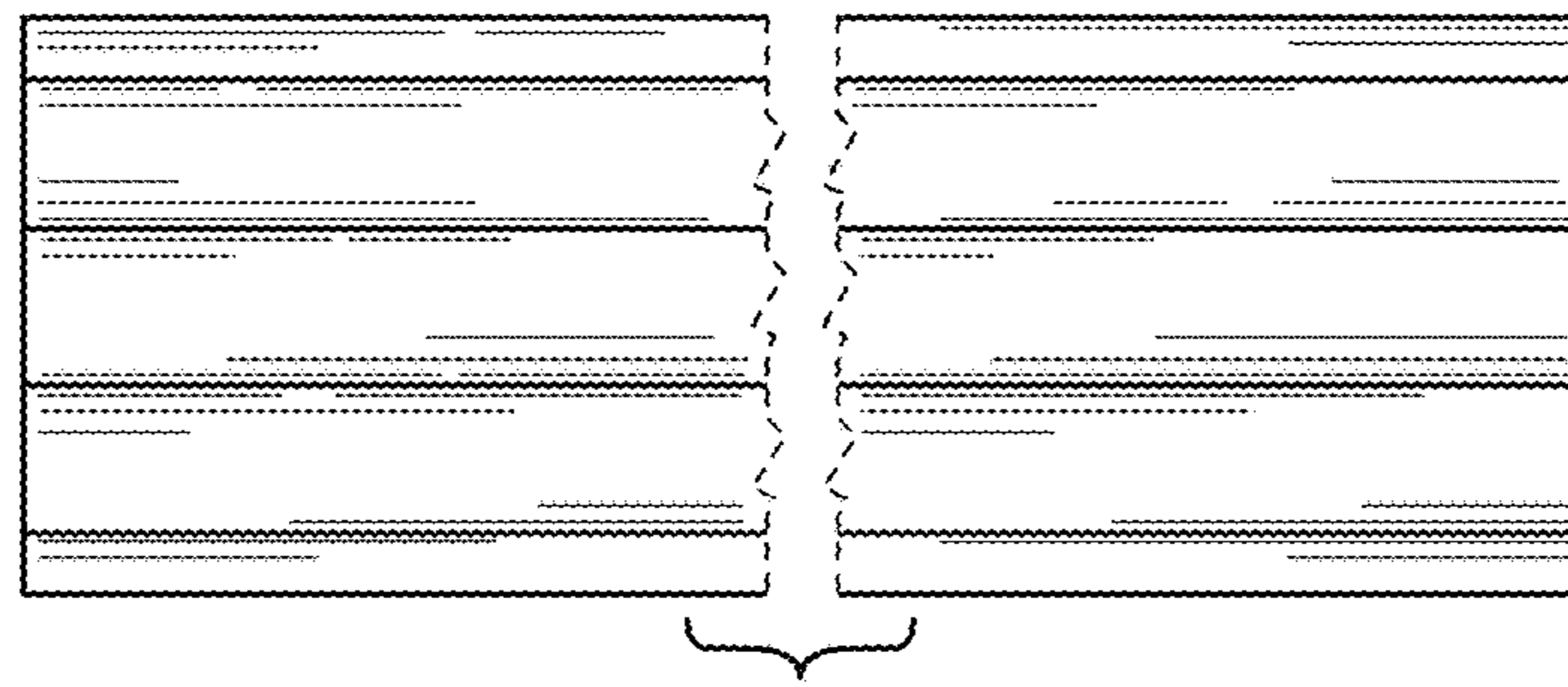


FIG. 5

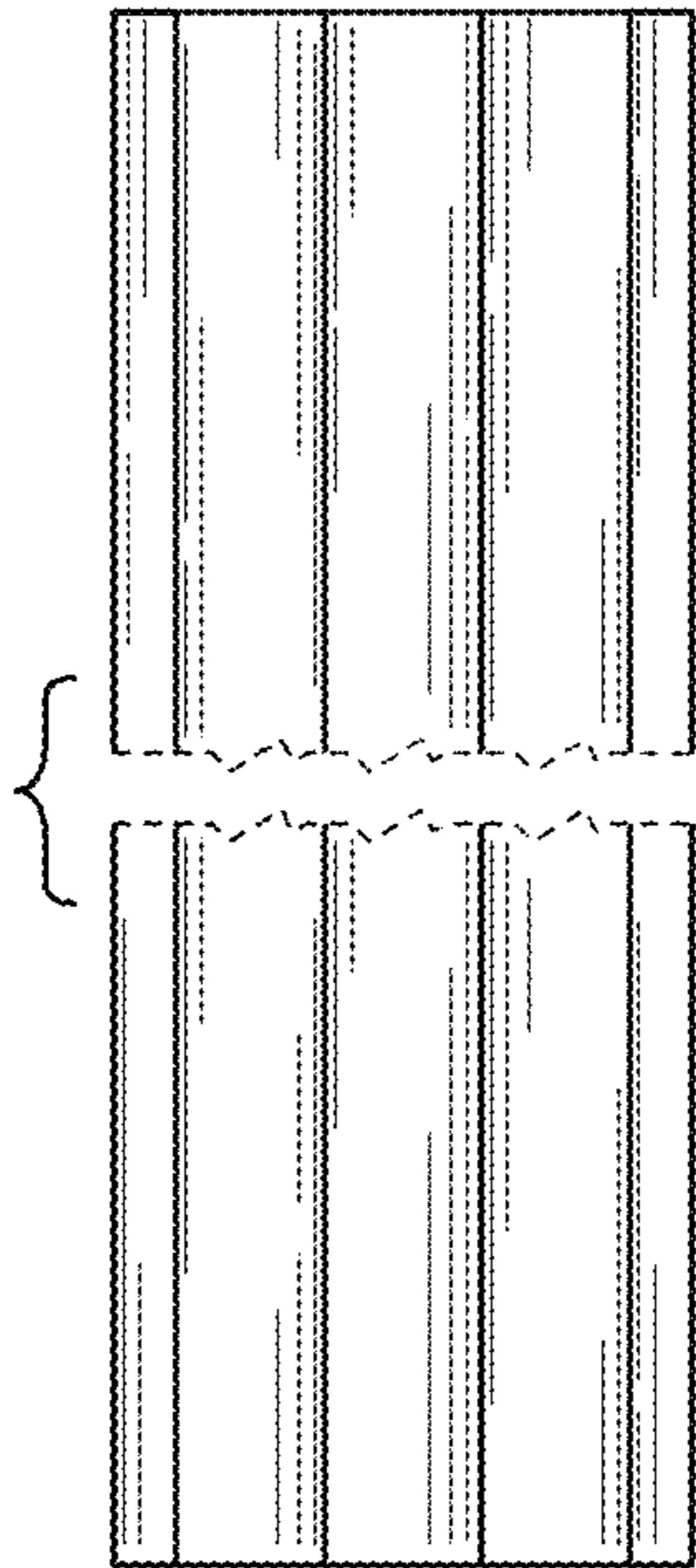


FIG. 6

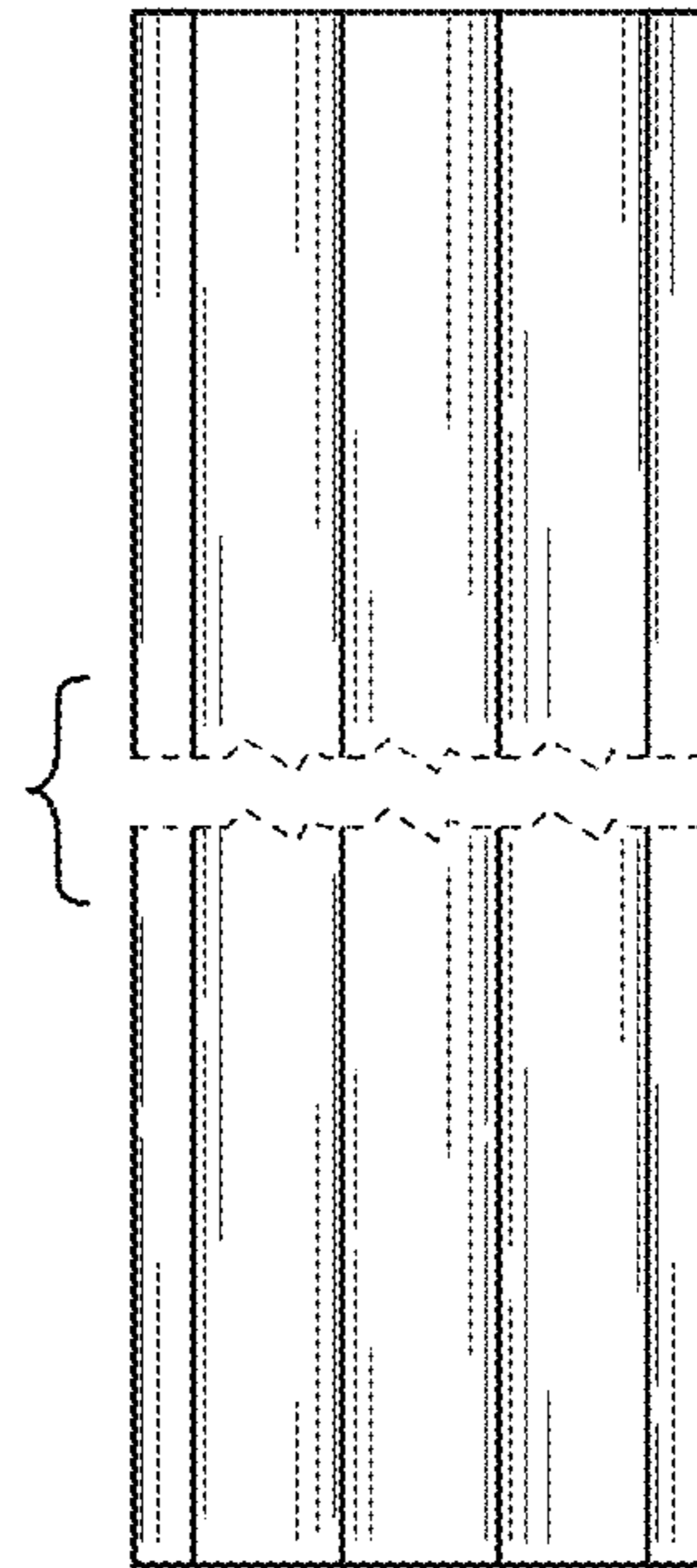


FIG. 7

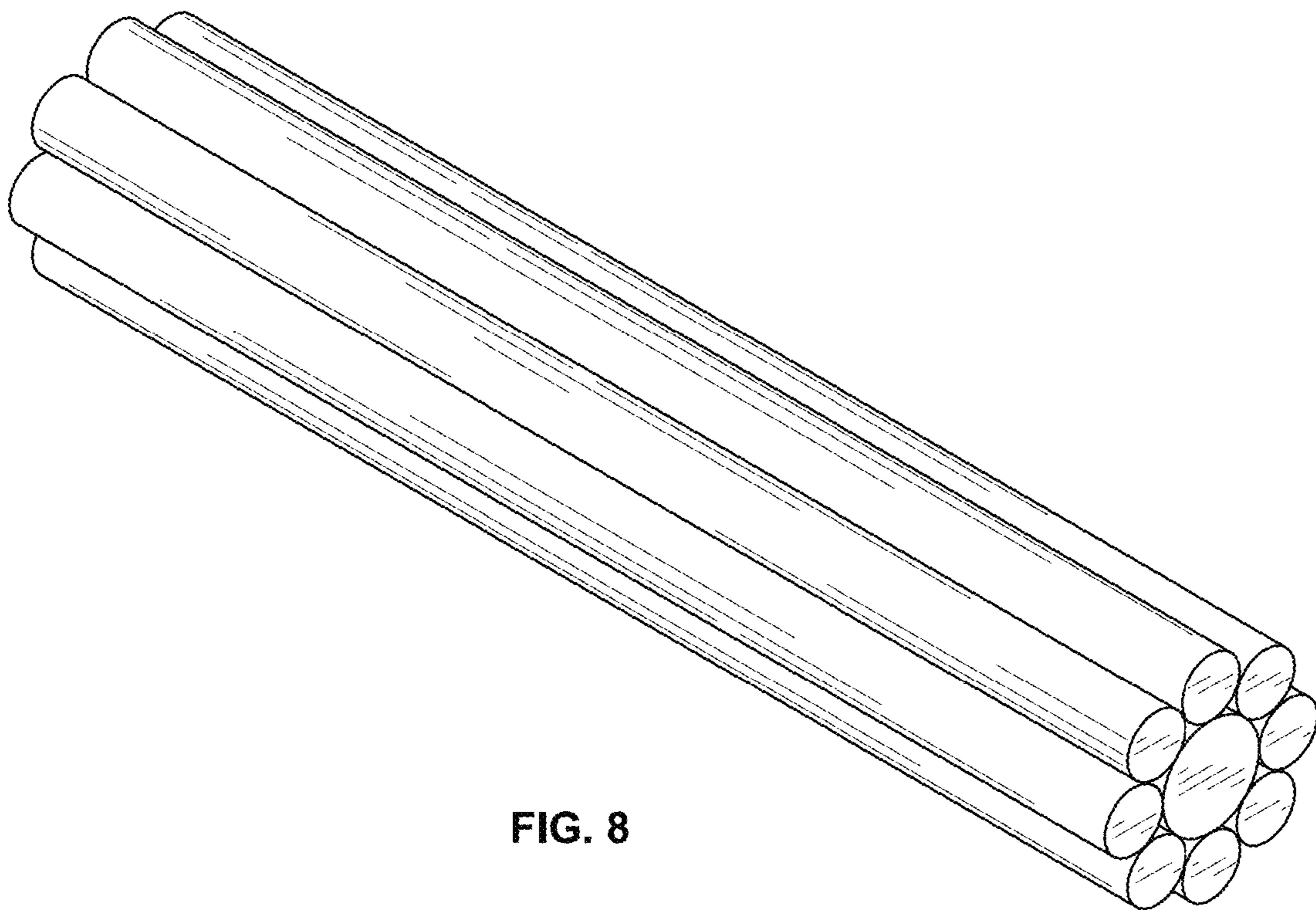


FIG. 8

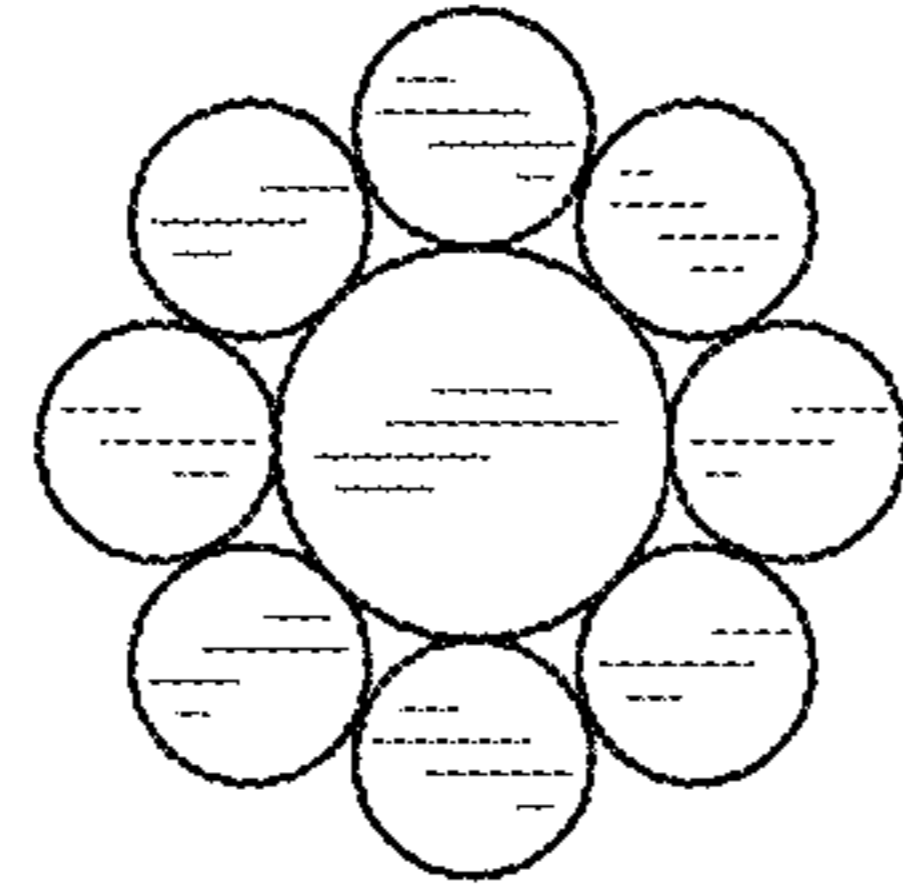


FIG. 9

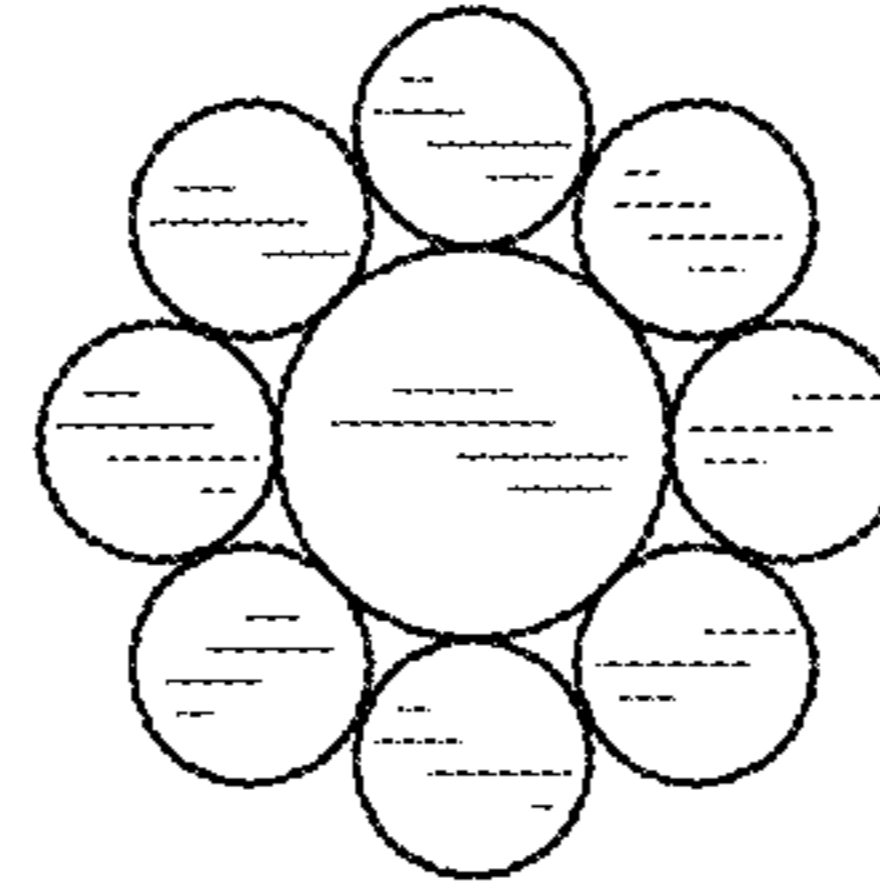


FIG. 10

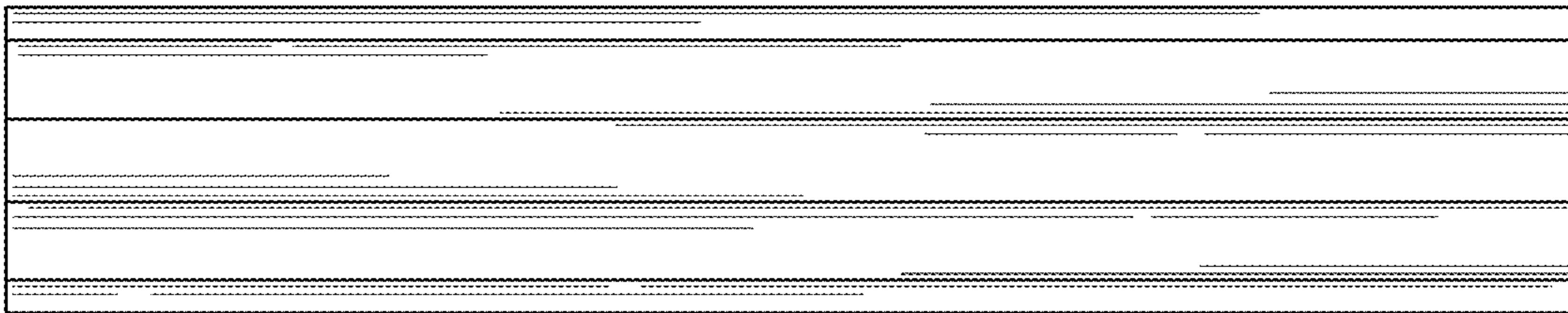


FIG. 11

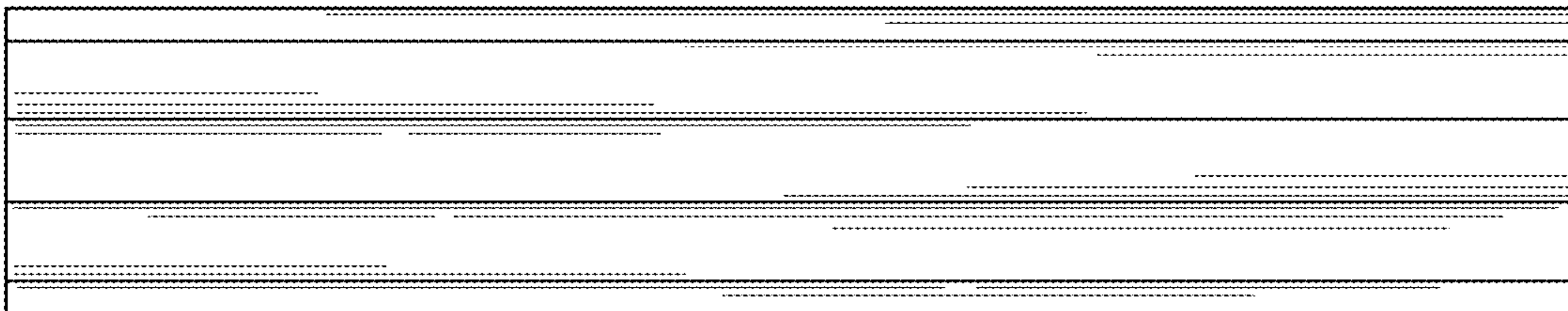


FIG. 12

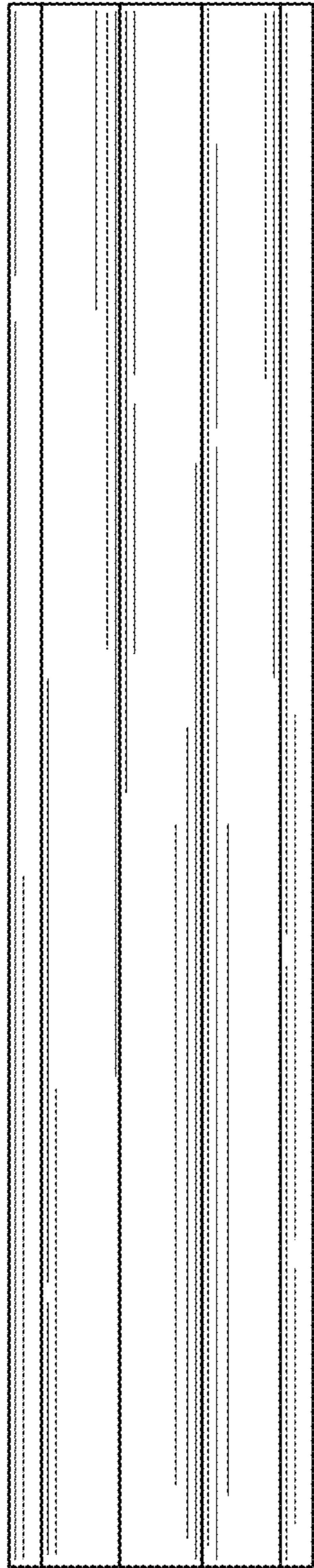


FIG. 13

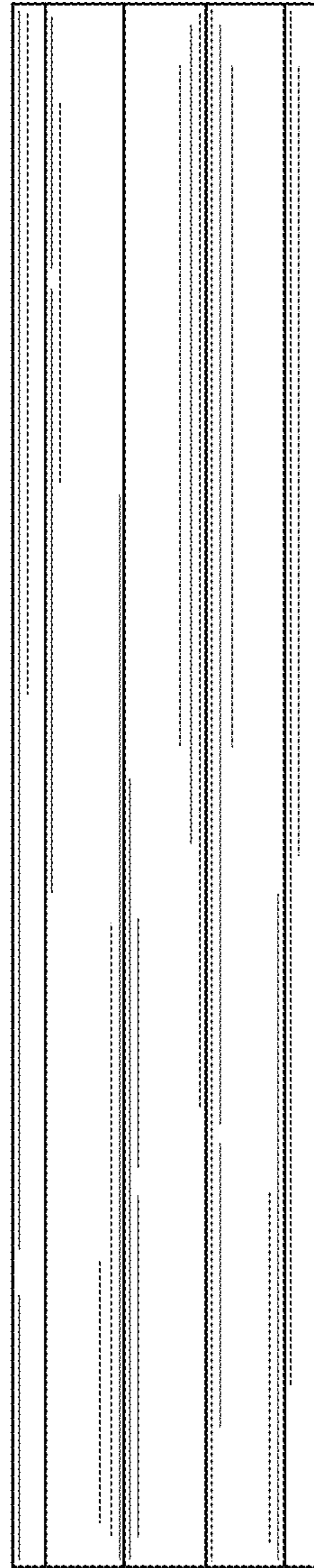


FIG. 14