



US00D852454S

(12) **United States Design Patent**  
**King et al.**

(10) **Patent No.:** **US D852,454 S**  
(45) **Date of Patent:** **\*\* Jun. 25, 2019**

(54) **PARKING PAY STATION VIDEO DISPLAY  
CAP**

(71) Applicant: **IPS Group Inc.**, San Diego, CA (US)  
(72) Inventors: **David William King**, Rancho Santa Fe,  
CA (US); **Alexander Schwarz**, San  
Diego, CA (US); **David Andrew Jones**,  
Beecroft (AU); **Choor Hong Tan**,  
Wentworth Point (AU)  
(73) Assignee: **IPS GROUP INC.**, San Diego, CA  
(US)

(56) **References Cited**

U.S. PATENT DOCUMENTS

D388,227 S	12/1997	Dallman	
D400,684 S	11/1998	Dallman	
5,903,520 A	5/1999	Dee et al.	
D423,181 S *	4/2000	Dallman	D99/28
D423,755 S *	4/2000	Ha	D14/902
D624,274 S *	9/2010	Pendleton	D6/707.2
D735,437 S *	7/2015	Randall	D99/28
D735,438 S *	7/2015	Randall	D99/28
D735,440 S *	7/2015	Randall	D99/28
D735,963 S *	8/2015	Randall	D99/28
D735,965 S *	8/2015	Randall	D99/28

(Continued)

(\*\*) Term: **15 Years**

(21) Appl. No.: **29/602,240**

(22) Filed: **Apr. 28, 2017**

(51) **LOC (11) Cl.** ..... **99-00**

(52) **U.S. Cl.**  
USPC ..... **D99/43**

(58) **Field of Classification Search**

USPC ..... D99/28, 34, 35, 36, 43, 99;  
D14/300-302, 305, 307, 900-902, 496,  
D14/125, 126, 239; D18/3.1-3.3,  
D18/4.1-4.6, 12.1-12.3; D21/324, 325,  
D21/329, 369, 370; 101/66; 109/1 R,  
109/1 V, 2, 23, 24.1, 25, 58, 58.5, 66;  
446/8-13; 705/16, 17, 18, 42, 43, 45;  
235/51, 379, 380, 382  
CPC .. G06Q 20/10; G06Q 20/108; G06Q 20/1085;  
G06Q 20/18; G07D 1/00; G07D 1/02;  
G07D 1/04; G07D 1/06; G07D 11/00;  
G07D 9/002; G07D 9/04; G07F 19/20;  
G07F 19/201; G07F 19/202; G07F  
19/203; G07F 19/204; G07F 19/205;  
G07F 19/21; G07F 19/00; G07F 7/04;  
G07F 5/00; G07F 1/00; E05G 7/001;  
E05G 1/006; A63H 33/00; A63G 33/005

See application file for complete search history.

OTHER PUBLICATIONS

Co-pending U.S. Appl. No. 29/602,232, filed Apr. 28, 2017.

(Continued)

*Primary Examiner* — Elizabeth J Oswecki

(74) *Attorney, Agent, or Firm* — Wilson Sonsini Goodrich  
& Rosati

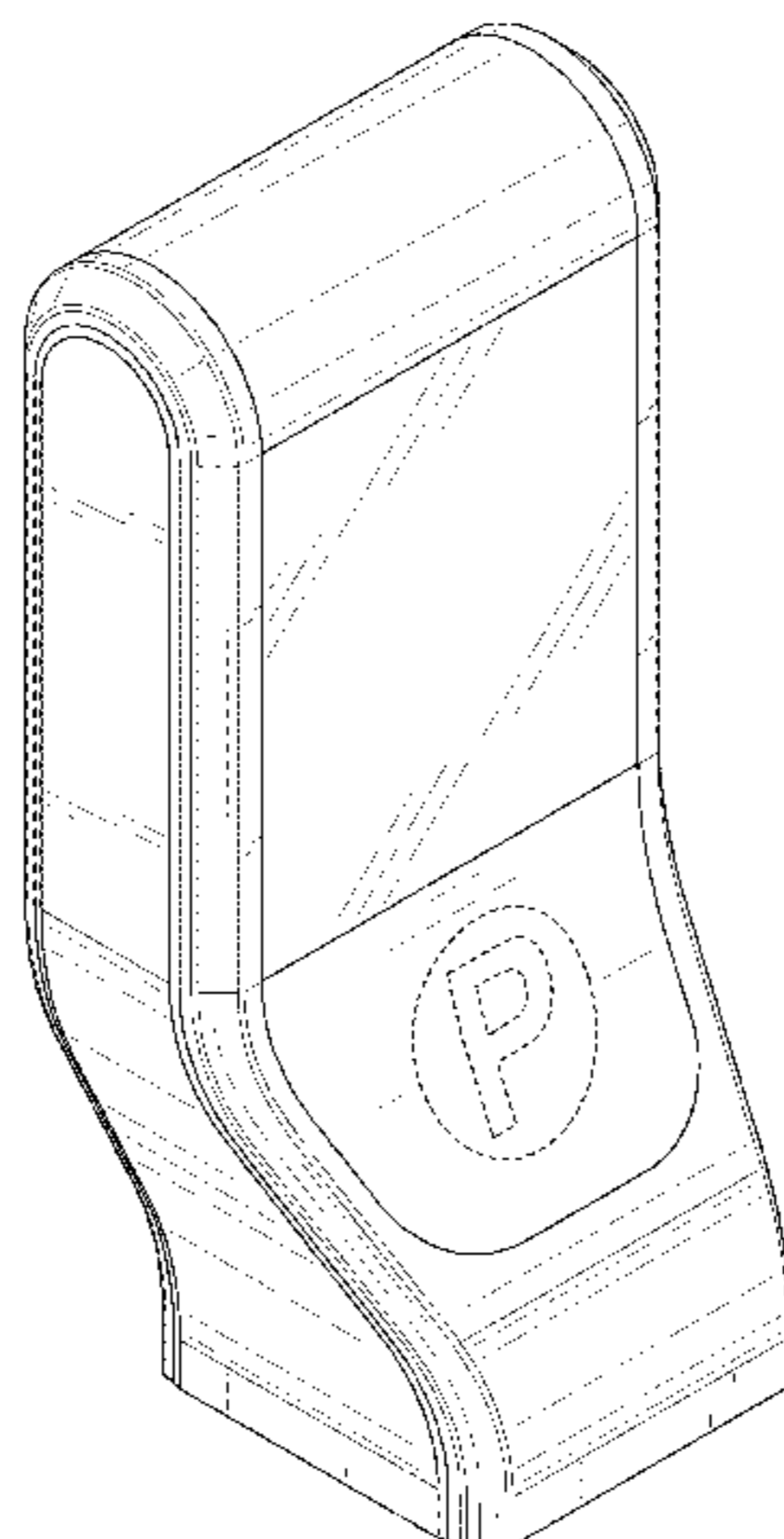
(57) **CLAIM**

The ornamental design for a parking pay station video display cap, as shown and described.

**DESCRIPTION**

FIG. 1 is a top front perspective view of a parking pay station video display cap, showing our new design;  
FIG. 2 is a front elevational view thereof;  
FIG. 3 is a rear elevational view thereof;  
FIG. 4 is a left side elevational view thereof;  
FIG. 5 is a right side elevational view thereof;  
FIG. 6 is a top plan view thereof;  
FIG. 7 is a bottom plan view thereof; and,

(Continued)



FIGS. 8A and 8B are a top front perspective view thereof, shown in a used condition mounted on a parking pay station shown in broken lines.

**1 Claim, 9 Drawing Sheets**

(56)

**References Cited**

**U.S. PATENT DOCUMENTS**

D746,015 S \* 12/2015 King ..... D99/28  
D748,364 S \* 1/2016 King ..... D99/28  
D748,888 S \* 2/2016 King ..... D99/28  
D762,040 S \* 7/2016 King ..... D99/28  
D779,771 S \* 2/2017 King ..... D99/28  
D779,772 S \* 2/2017 King ..... D99/28  
D779,773 S \* 2/2017 King ..... D99/28  
D779,774 S \* 2/2017 King ..... D99/28  
D781,024 S \* 3/2017 King ..... D99/28  
D795,523 S \* 8/2017 King ..... D99/28

D802,874 S \* 11/2017 King ..... D99/28  
D802,875 S \* 11/2017 King ..... D99/28  
D802,876 S \* 11/2017 King ..... D99/28  
D802,877 S \* 11/2017 King ..... D99/28  
D802,878 S \* 11/2017 King ..... D99/28  
D813,059 S \* 3/2018 MacKay ..... D10/42  
2007/0276724 A1\* 11/2007 Catt ..... G07B 15/00  
705/13  
2015/0371483 A1\* 12/2015 Sun ..... G07F 1/046  
194/347  
2017/0034600 A1 2/2017 King et al.  
2017/0083043 A1 3/2017 Bowers et al.  
2018/0322534 A1 11/2018 King et al.

**OTHER PUBLICATIONS**

Co-pending U.S. Appl. No. 29/602,237, filed Apr. 28, 2017.  
Co-pending U.S. Appl. No. 29/602,239, filed Apr. 28, 2017.  
Co-pending U.S. Appl. No. 29/602,241, filed Apr. 28, 2017.  
Co-pending U.S. Appl. No. 29/602,934, filed May 4, 2017.

\* cited by examiner

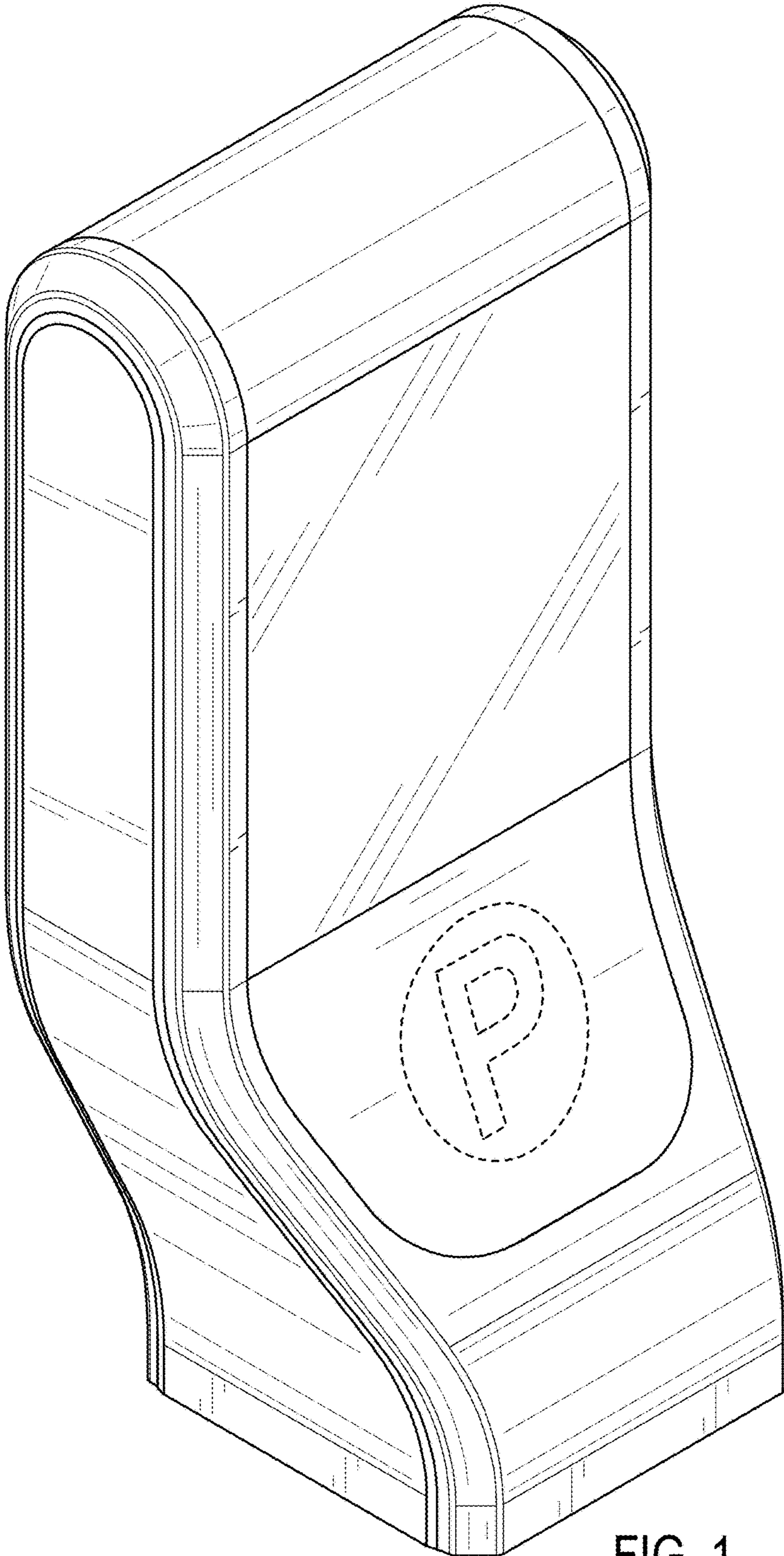


FIG. 1

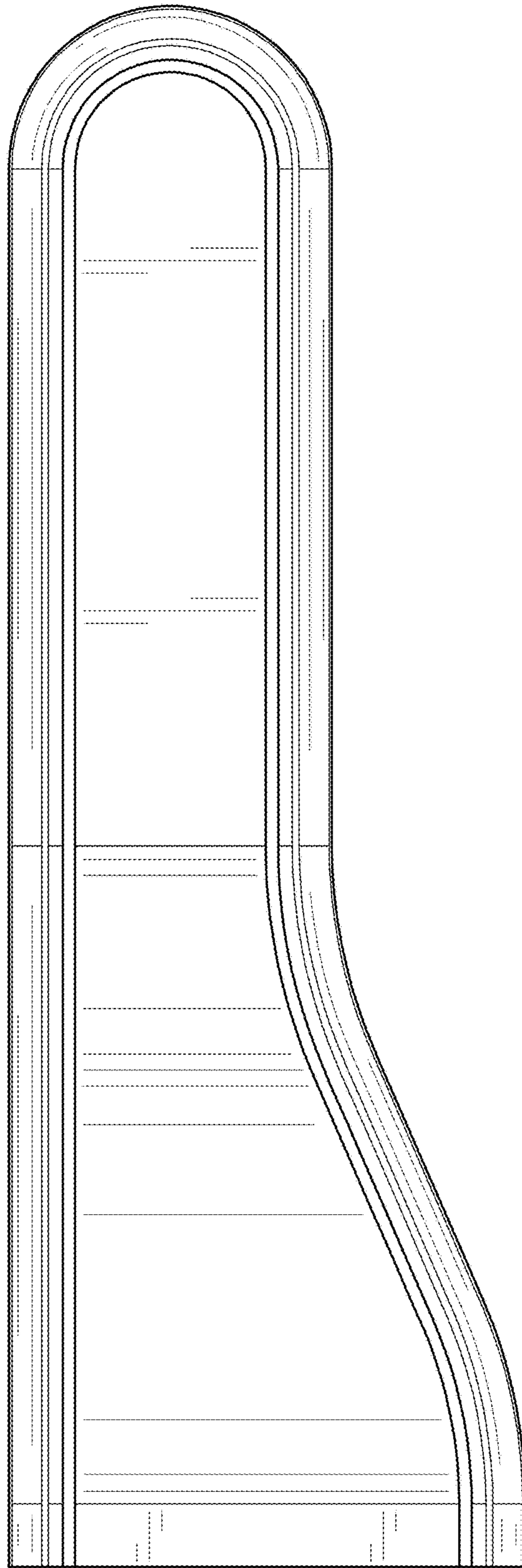


FIG. 2

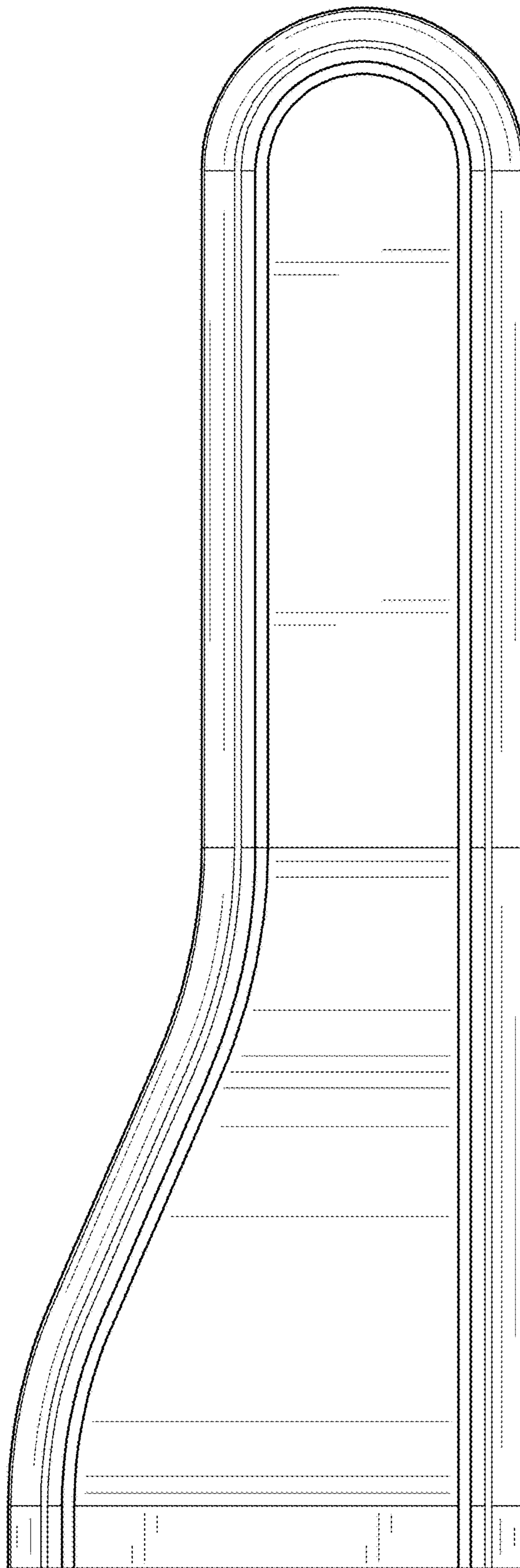


FIG. 3

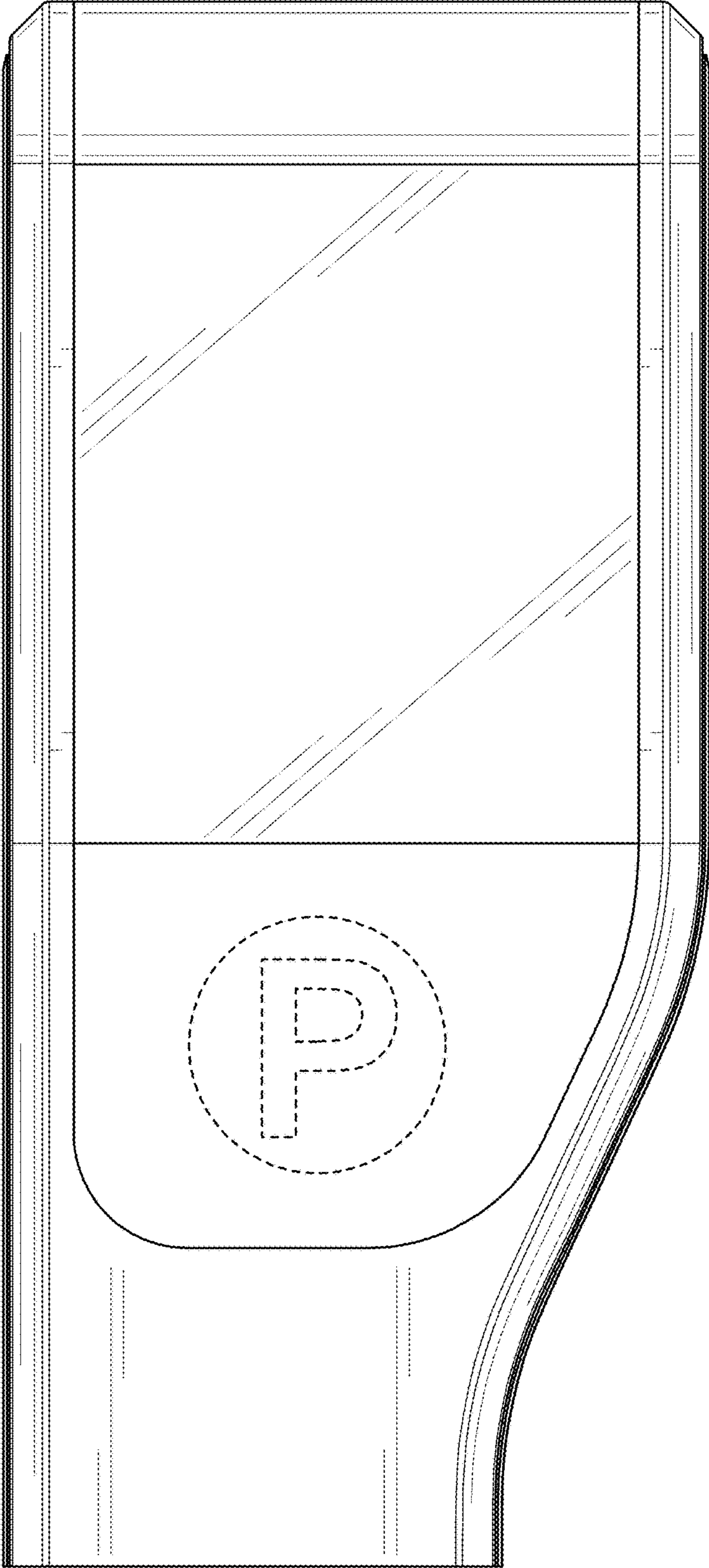


FIG. 4

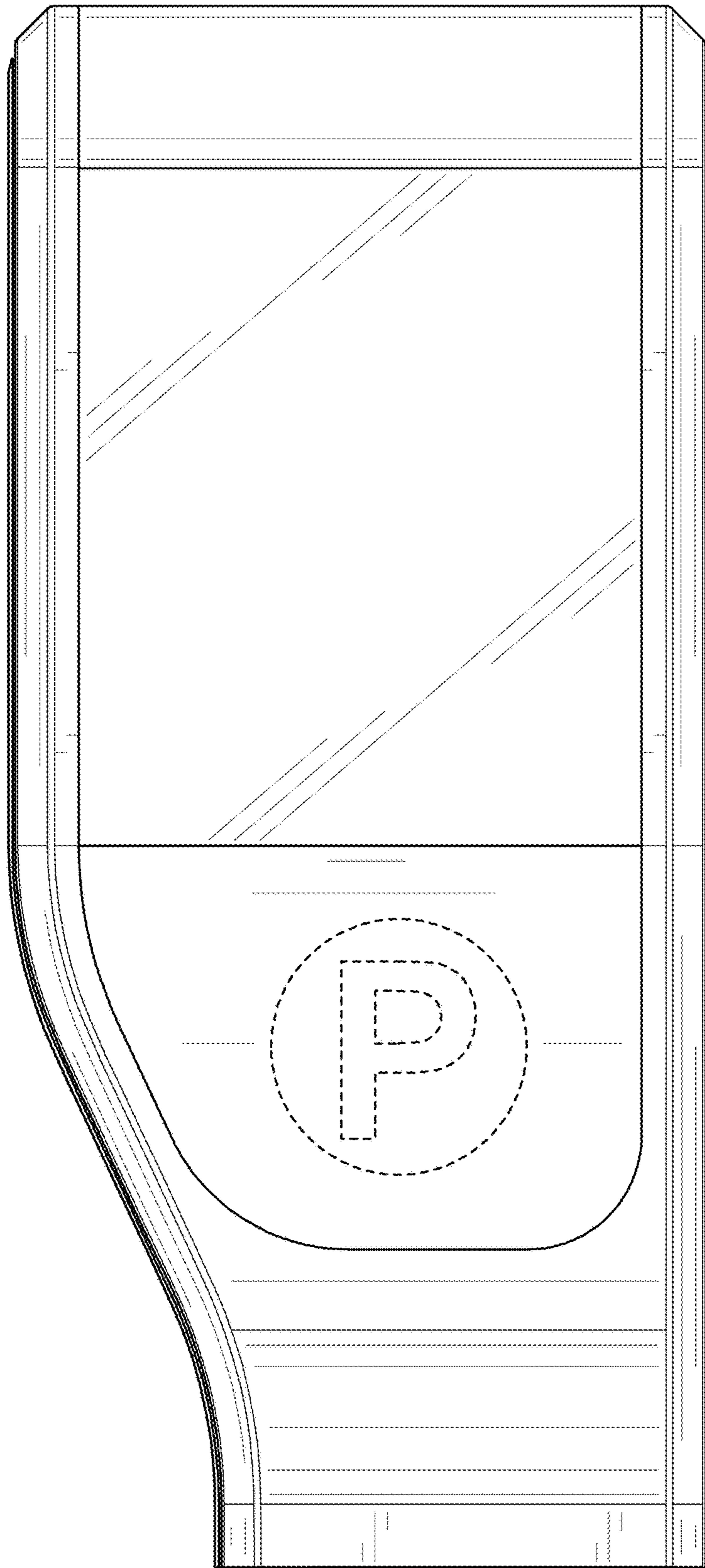


FIG. 5

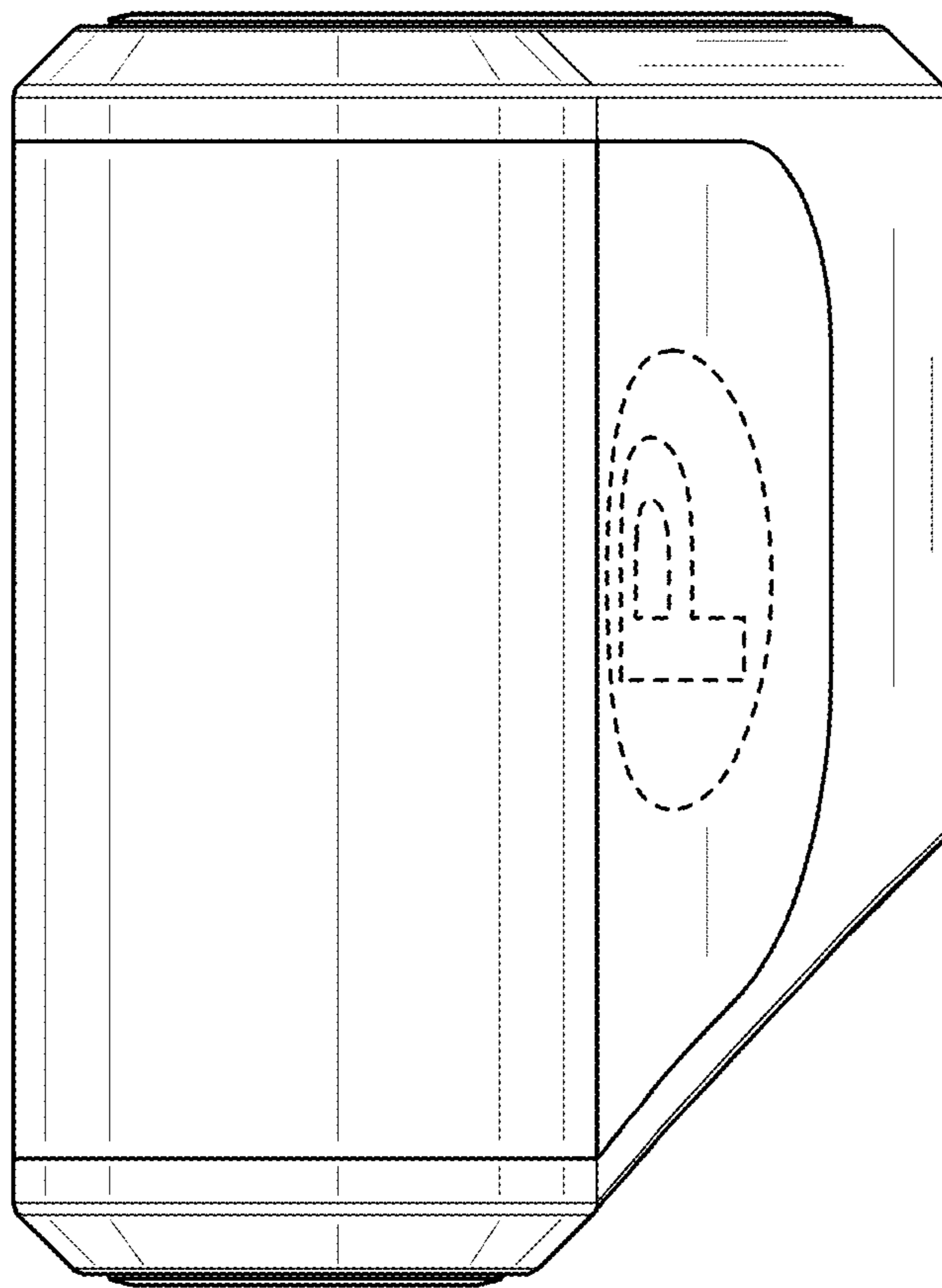


FIG. 6



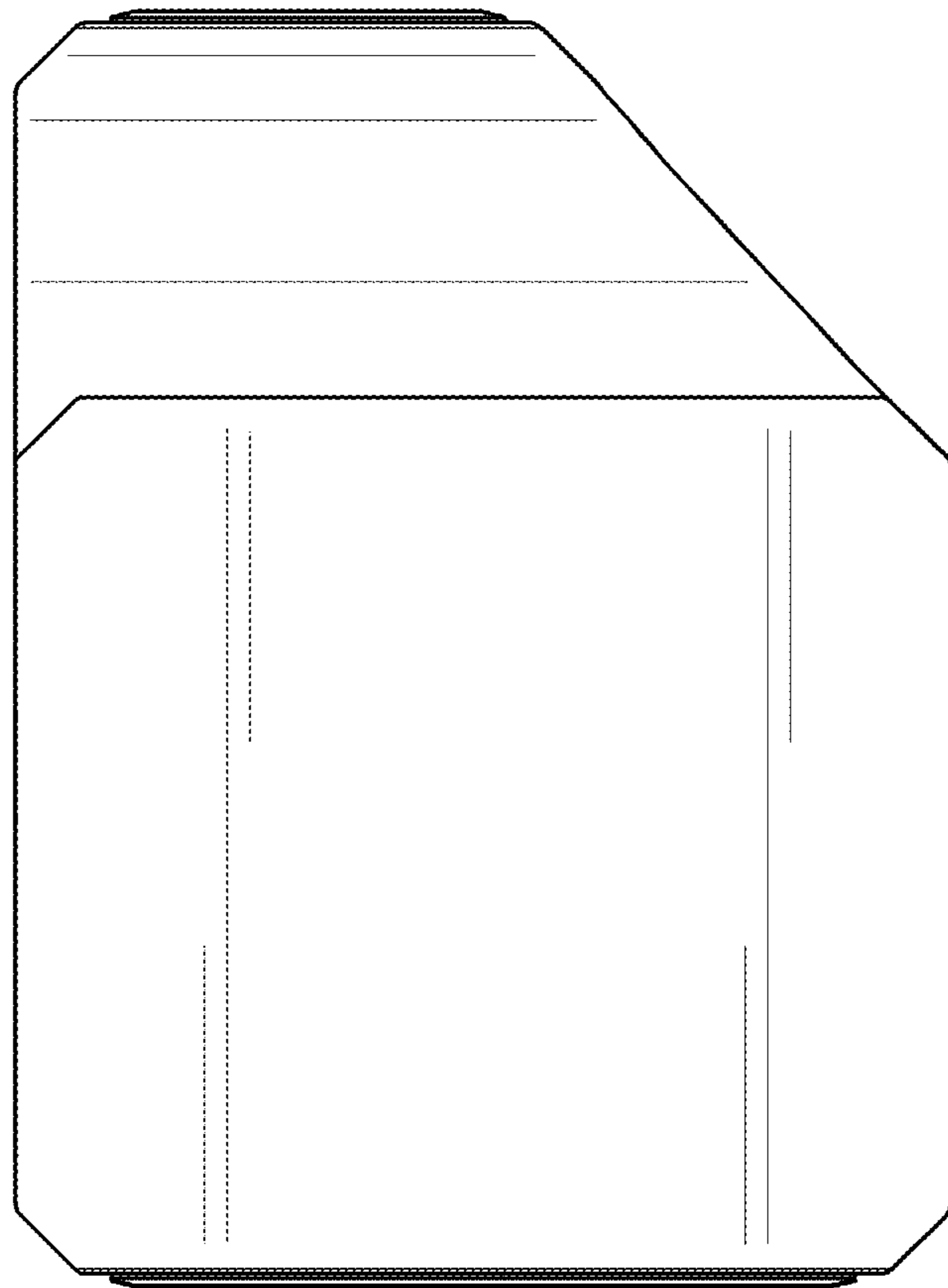


FIG. 7

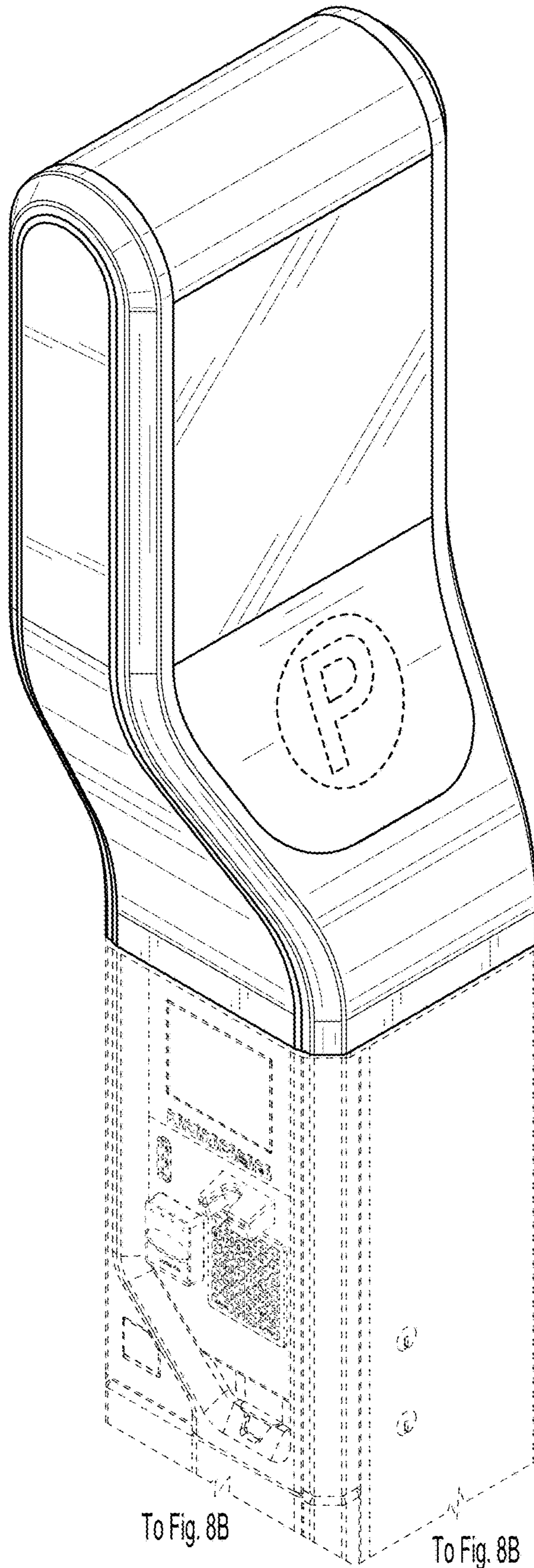


FIG. 8A

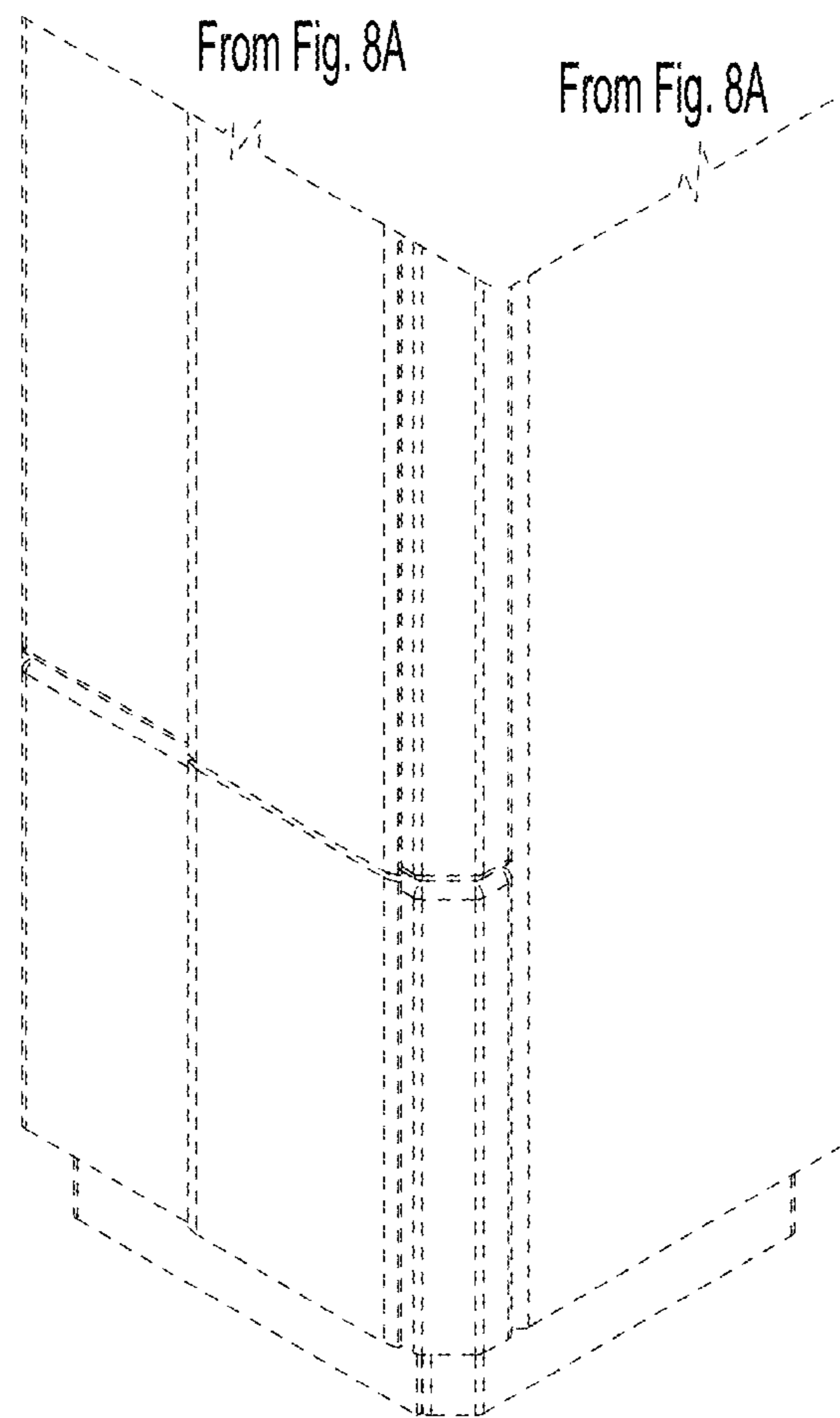


FIG. 8B

UNITED STATES PATENT AND TRADEMARK OFFICE  
**CERTIFICATE OF CORRECTION**

PATENT NO. : D852,454 S  
APPLICATION NO. : 29/602240  
DATED : June 25, 2019  
INVENTOR(S) : David William King et al.

Page 1 of 2

It is certified that error appears in the above-identified patent and that said Letters Patent is hereby corrected as shown below:

On the Title Page

At page 2, Column 1, Lines 1-3, please delete "FIGS. 8A and 8B are a top front perspective view thereof, shown in a used condition mounted on a parking pay station shown in broken lines" and replace with FIG. 8 is a top front perspective view thereof, shown in a used condition mounted on a parking pay station shown in broken lines.

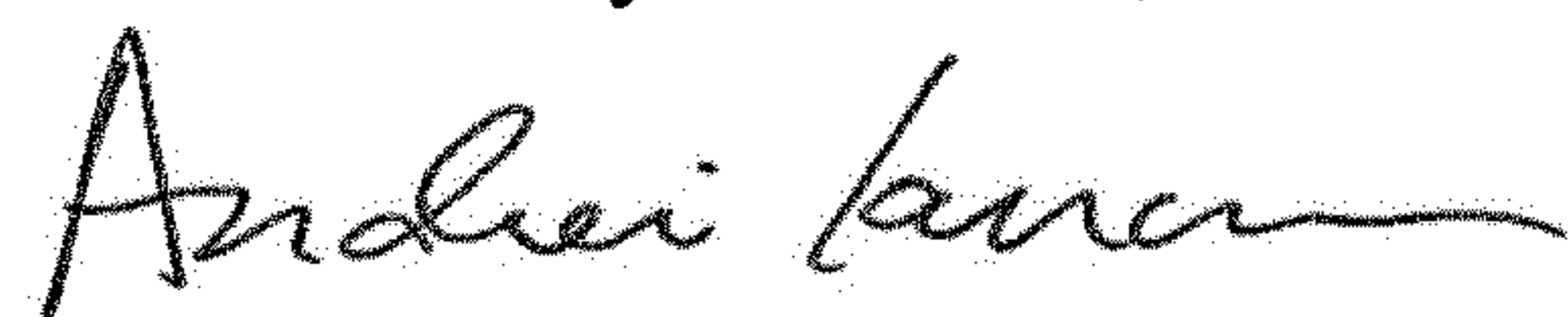
At page 2, Column 1, after Line 3, please insert --The broken lines shown in FIG. 8 of the entire parking pay station form no part of the claimed design.--.

On page 2, Column 1, Line 4, "1 Claim, 9 Drawing Sheets" should read --1 Claim, 8 Drawing Sheets--.

In the Drawings

Please replace FIGS. 8A and 8B with FIG. 8 shown on the attached page.

Signed and Sealed this  
Third Day of March, 2020



Andrei Iancu  
*Director of the United States Patent and Trademark Office*

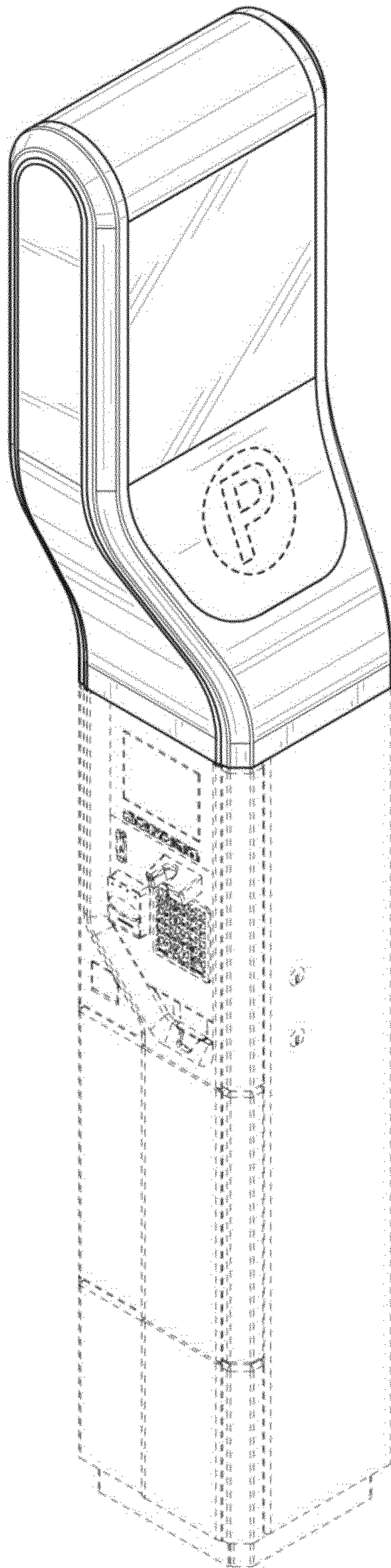


FIG. 8