



US00D852451S

(12) **United States Design Patent**
Falato

(10) **Patent No.:** **US D852,451 S**
(45) **Date of Patent:** **** Jun. 25, 2019**

- (54) **SHOPPING CART COVER**
- (71) Applicant: **Christine P. Falato**, Wayne, NJ (US)
- (72) Inventor: **Christine P. Falato**, Wayne, NJ (US)
- (**) Term: **15 Years**
- (21) Appl. No.: **29/674,817**
- (22) Filed: **Dec. 26, 2018**

8,113,580 B1 * 2/2012 Pusateri A47C 31/11
297/219.12

8,807,578 B1 * 8/2014 Huguley B62B 3/1464
280/33.992

D748,884 S * 2/2016 Evans D34/27

2008/0258528 A1 * 10/2008 Bush B62B 3/1456
297/256.17

2016/0129927 A1 * 5/2016 Russell B62B 3/1436
280/33.992

* cited by examiner

Primary Examiner — Cynthia Ramirez

Assistant Examiner — Gino Colan

(74) *Attorney, Agent, or Firm* — Richard Malagiere, Esq.

Related U.S. Application Data

- (63) Continuation of application No. 29/603,242, filed on May 8, 2017.
- (51) **LOC (11) Cl.** **12-02**
- (52) **U.S. Cl.**
USPC **D34/27**
- (58) **Field of Classification Search**
USPC D34/27; 297/219.1, 256.17, 219.12;
D6/333, 596; 224/411
CPC B62B 5/069; B62B 3/1448; B62B 3/1436;
B62B 3/1416; B62B 5/0013
See application file for complete search history.

(57) **CLAIM**

The ornamental design for a shopping cart cover, as shown and described.

DESCRIPTION

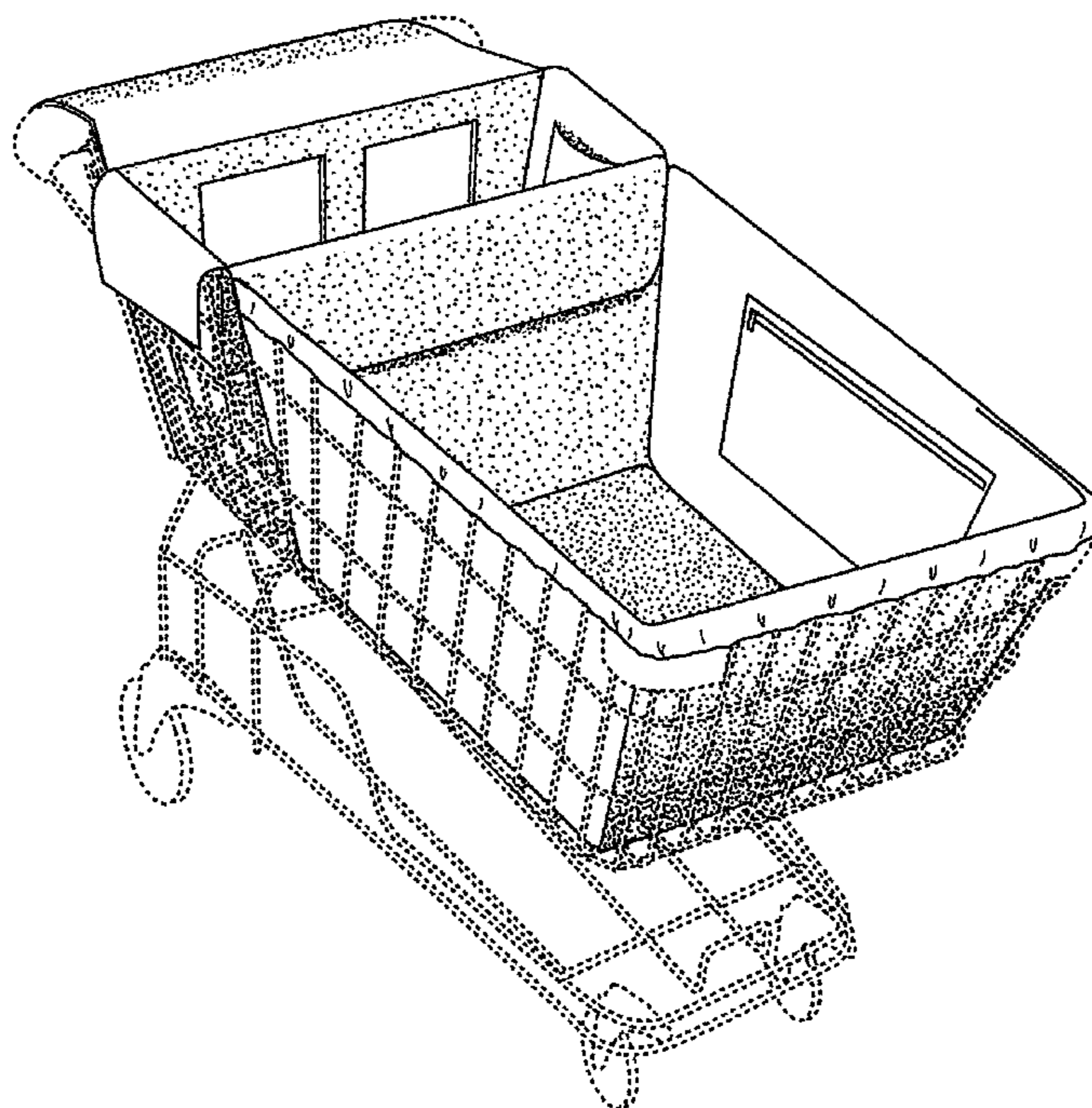
FIG. 1 is a perspective view of a shopping cart cover.
 FIG. 2 is a rear view thereof.
 FIG. 3 is a front view thereof.
 FIG. 4 is a side view thereof.
 FIG. 5 is a side view thereof.
 FIG. 6 is a top view thereof.
 FIG. 7 is a bottom view thereof; and,
 FIG. 8 is an exploded view thereof.
 The broken lines shown in the figures are for the purposes of illustrating environment and form no part of the claimed design.

(56) **References Cited**

U.S. PATENT DOCUMENTS

- 4,805,937 A * 2/1989 Boucher B62B 3/144
224/411
- 6,129,417 A * 10/2000 Cohen-Fyffe B62B 3/144
297/219.12

1 Claim, 5 Drawing Sheets



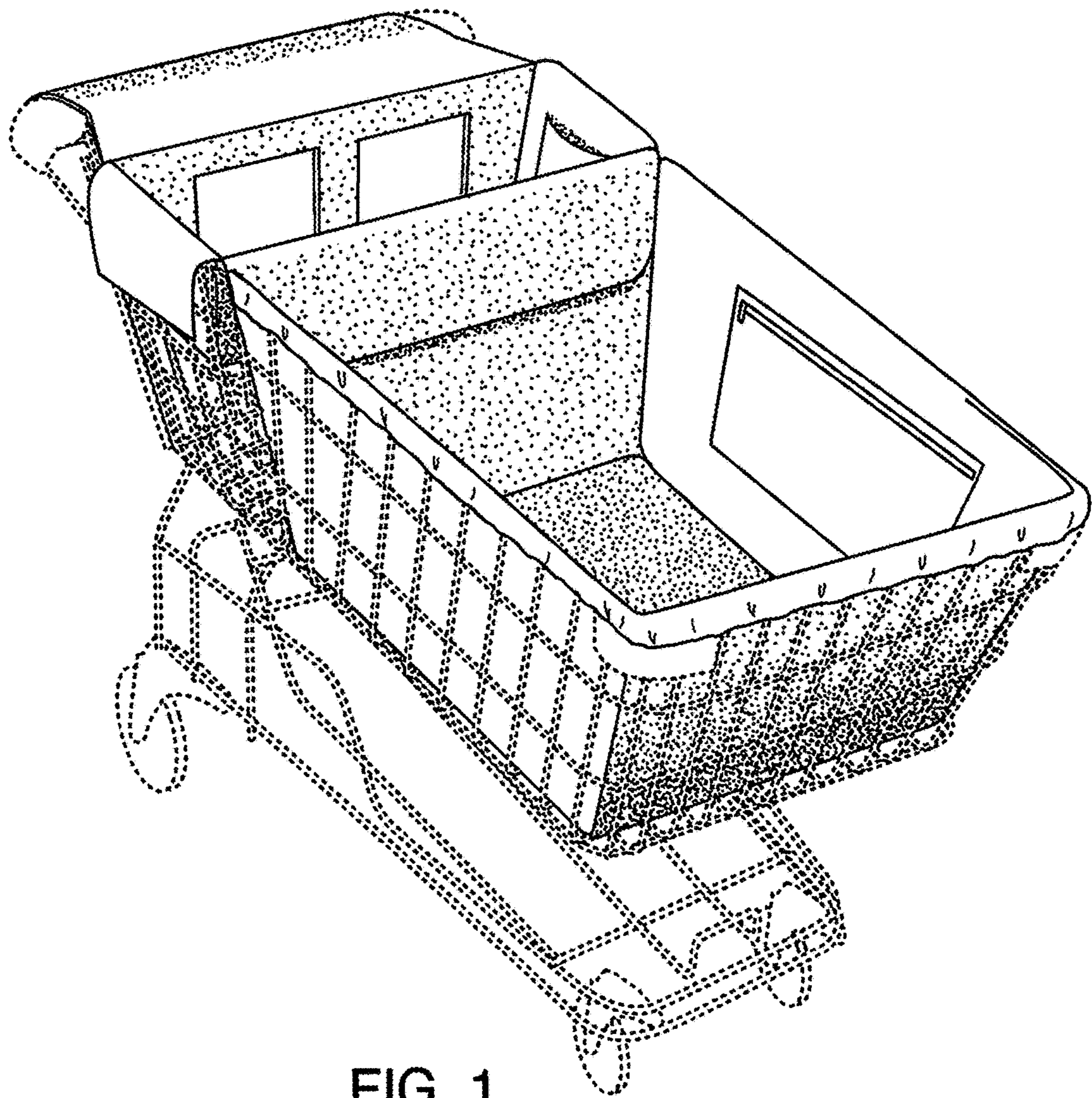


FIG. 1

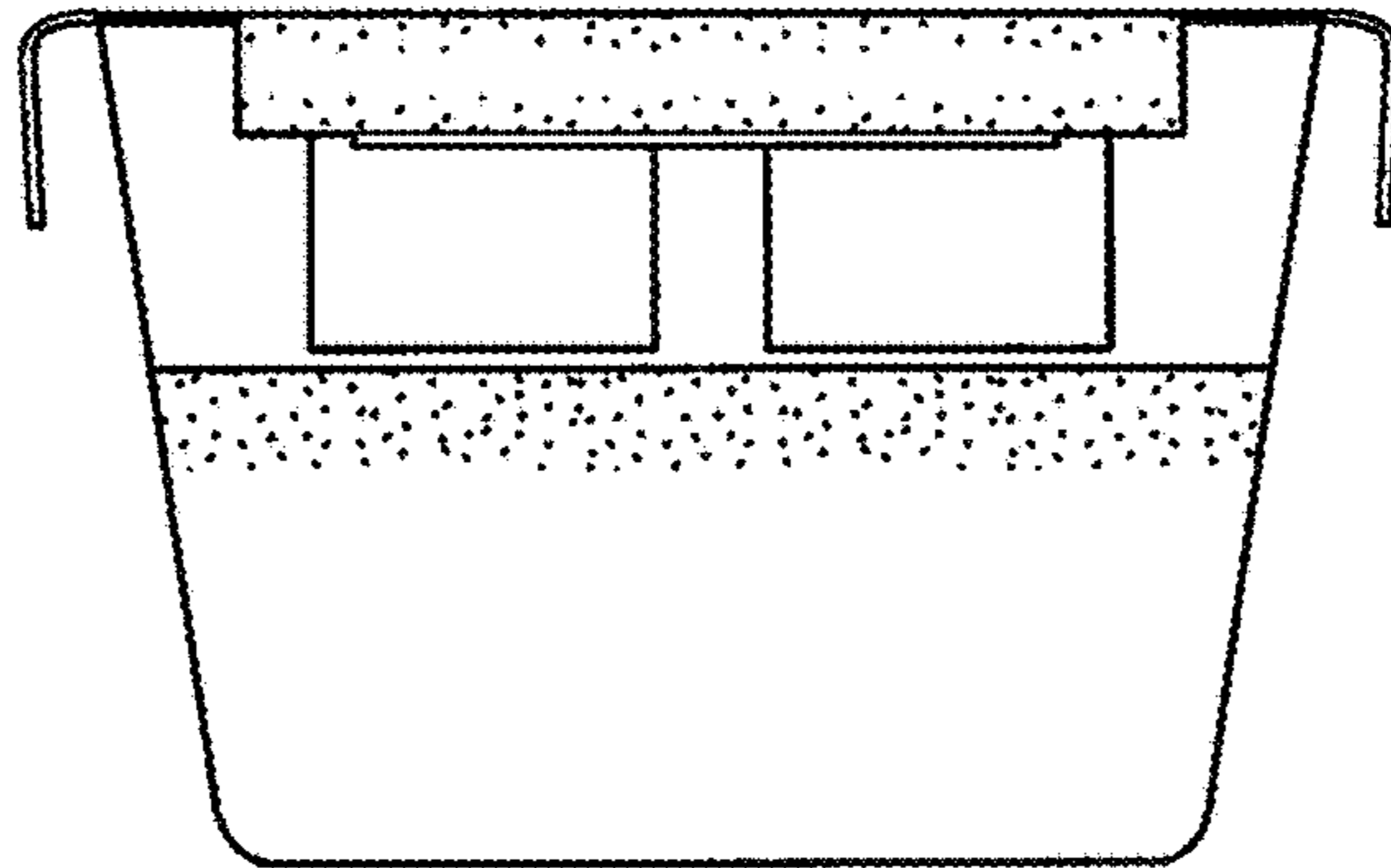


FIG. 2

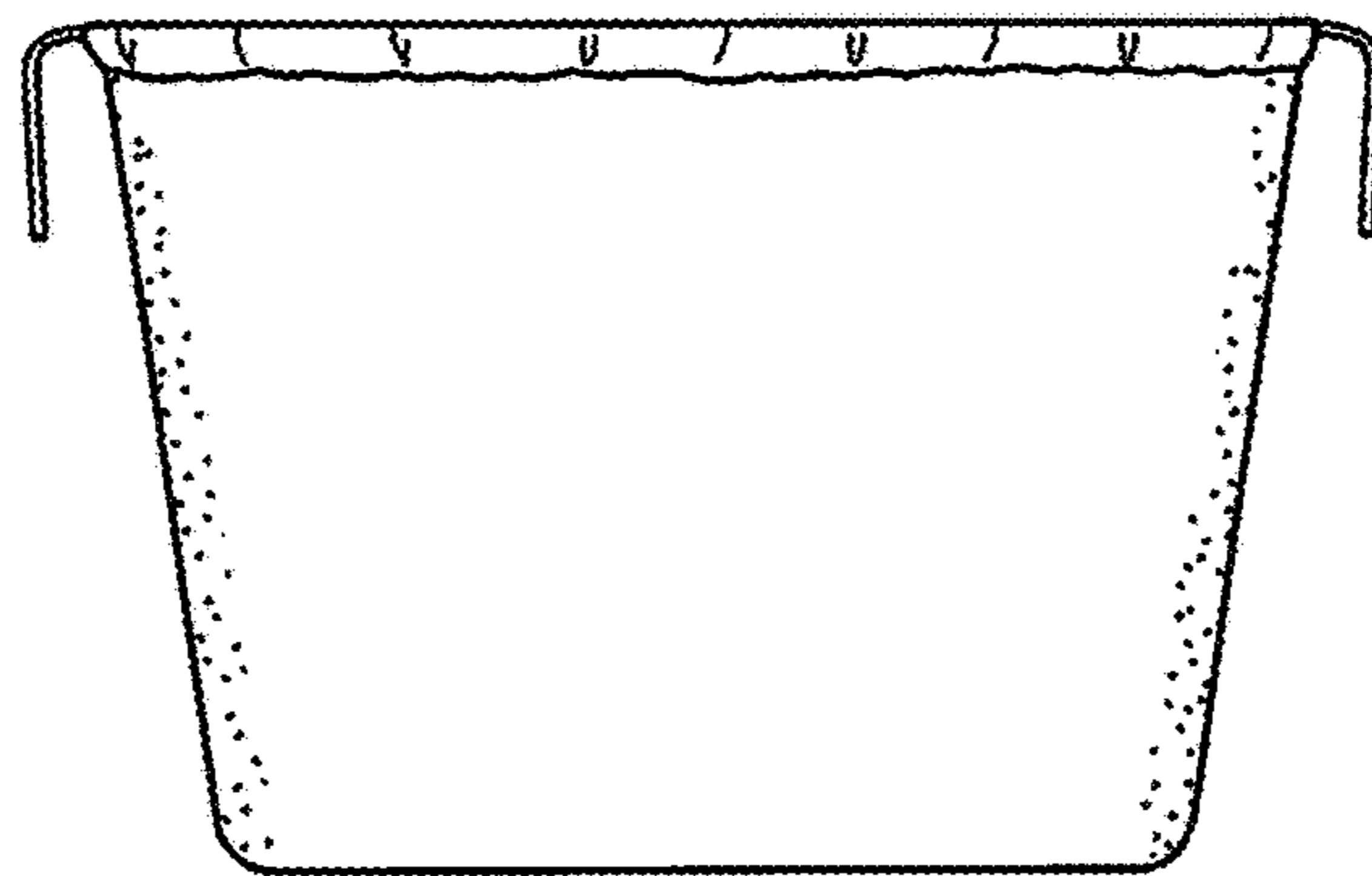


FIG. 3

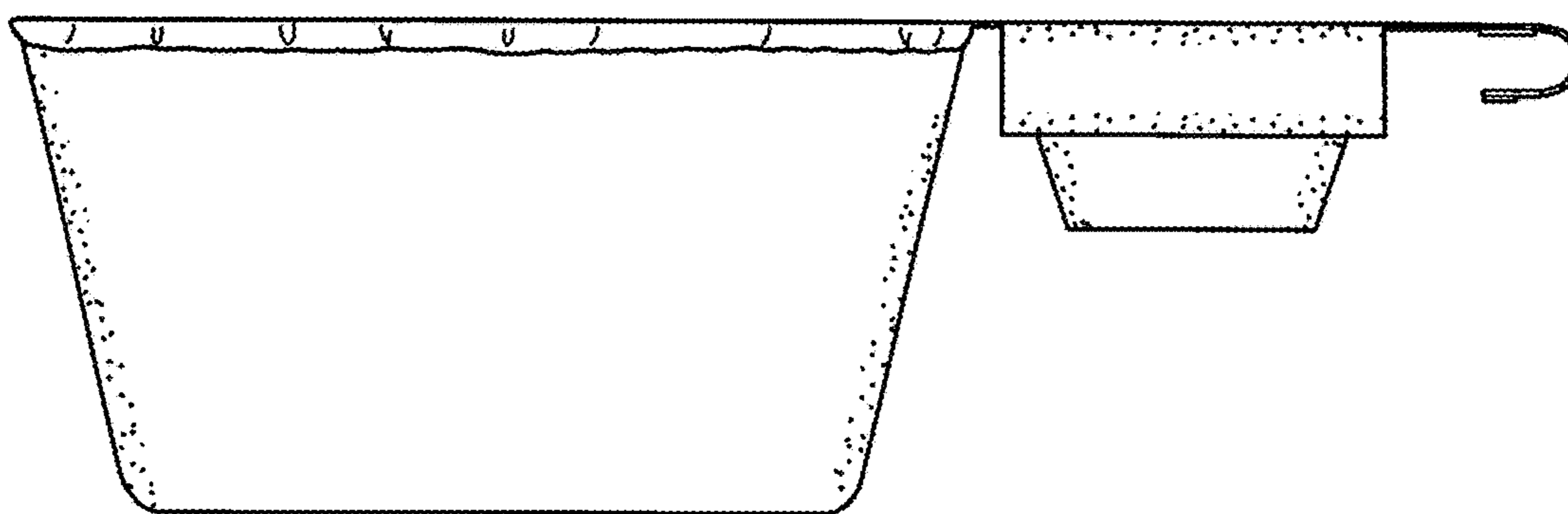


FIG. 4

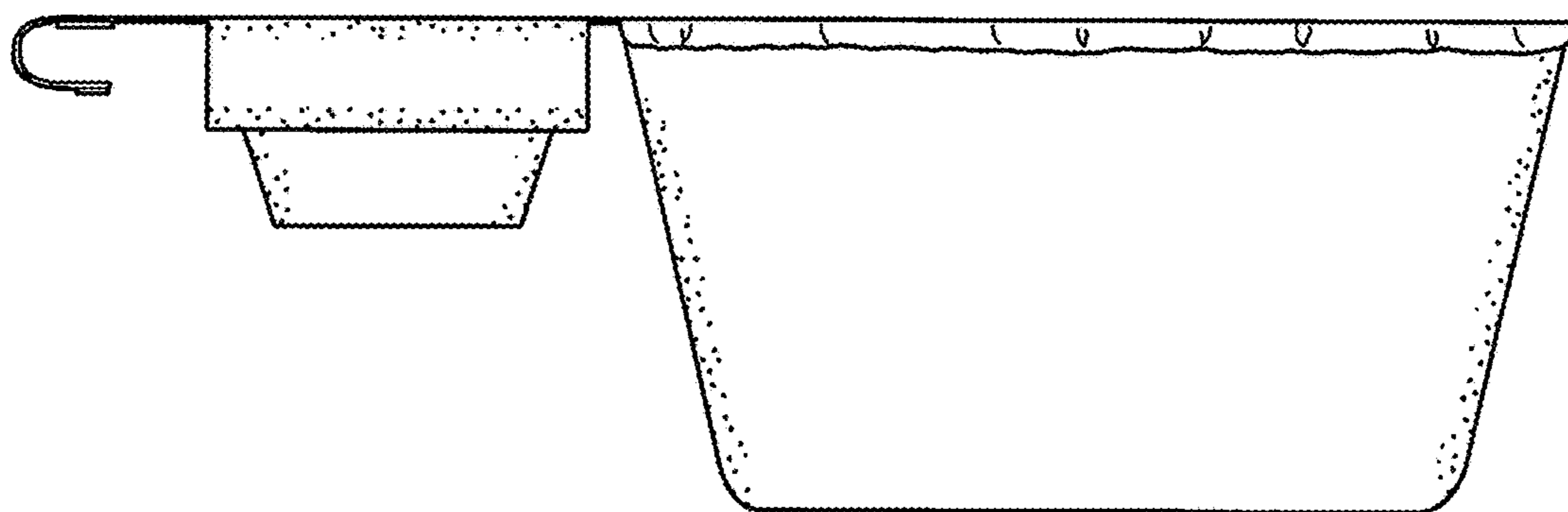


FIG. 5

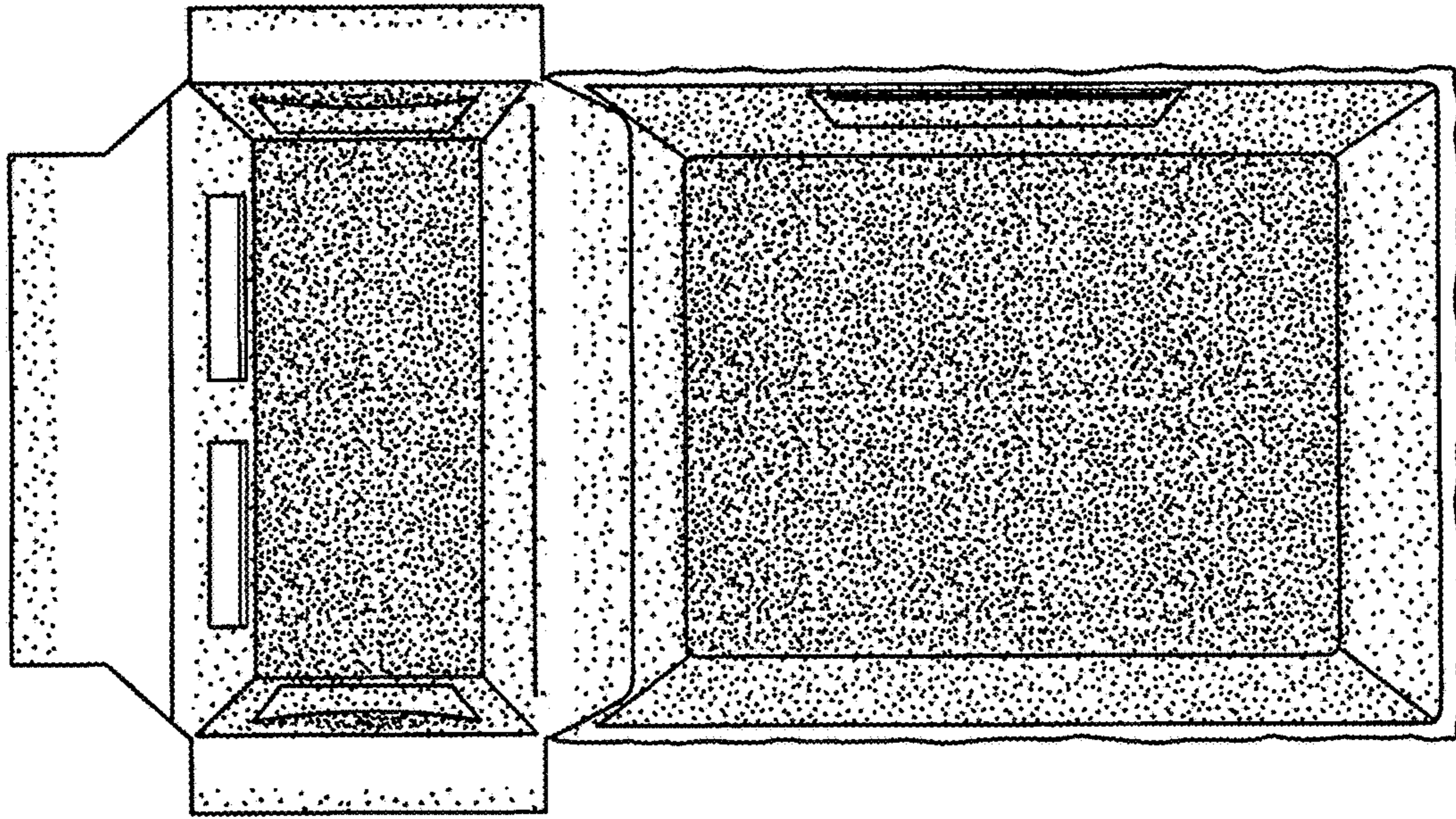


FIG. 6

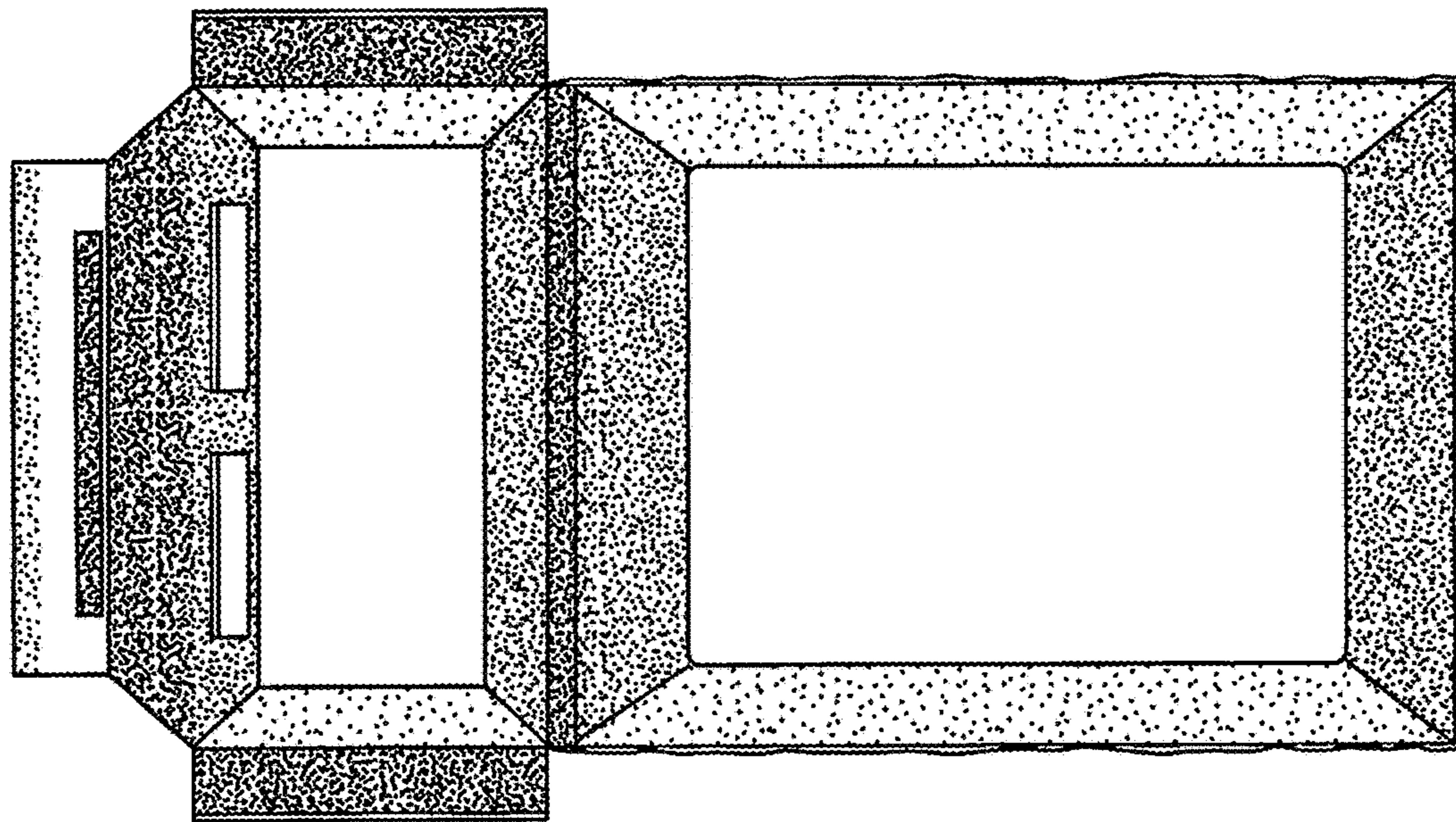


FIG. 7

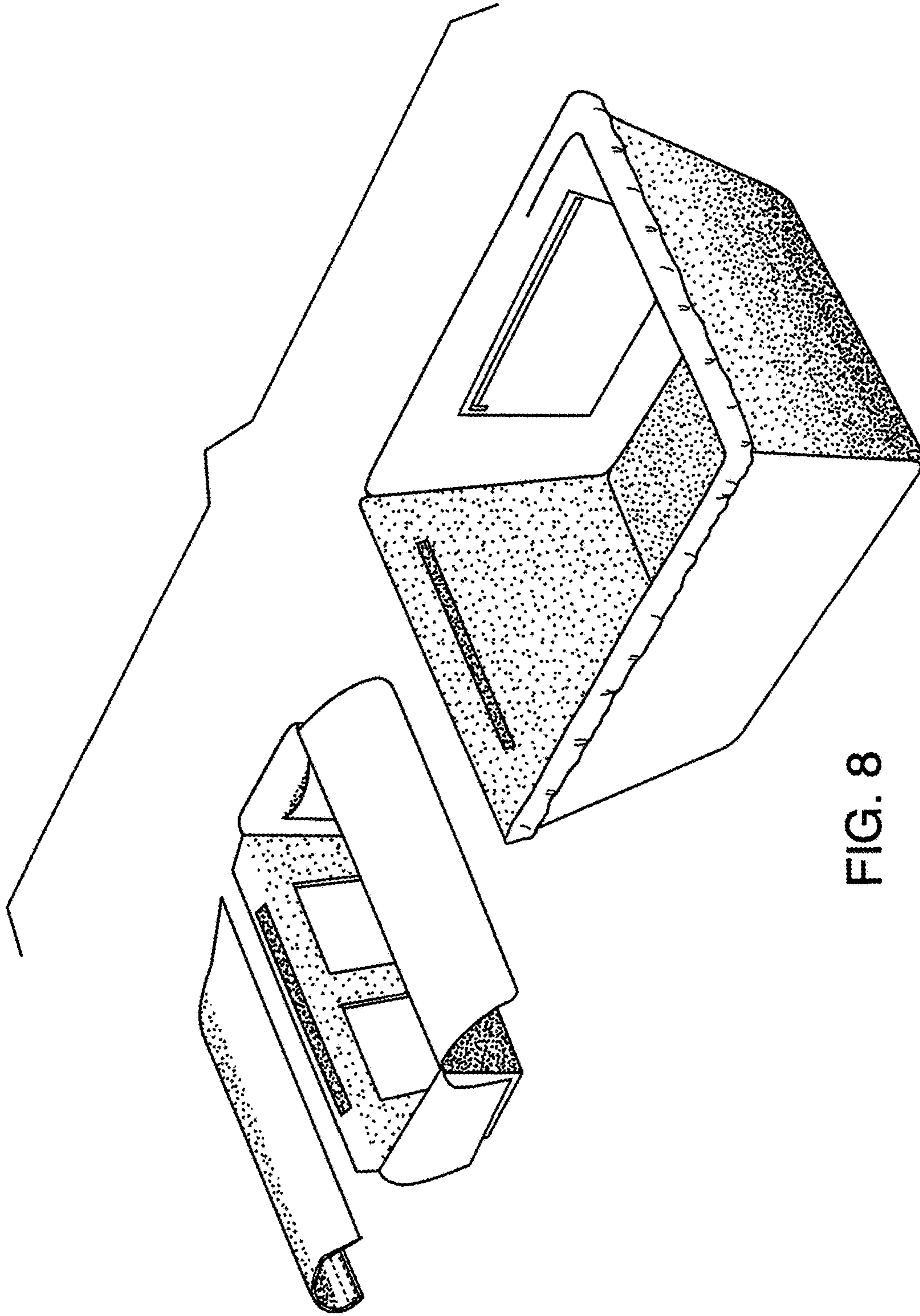


FIG. 8