



US00D852449S

(12) **United States Design Patent** (10) **Patent No.:** **US D852,449 S**
Hu (45) **Date of Patent:** **** Jun. 25, 2019**

- (54) **ROLLING STORAGE CART WITH MESH BASKETS**
- (71) Applicant: **Yajun Hu**, El Dorado Hills, CA (US)
- (72) Inventor: **Yajun Hu**, El Dorado Hills, CA (US)
- (73) Assignee: **YAJUN HU EUREKA LLC**, El Dorado Hills, CA (US)
- (**) Term: **15 Years**
- (21) Appl. No.: **29/616,156**
- (22) Filed: **Sep. 1, 2017**
- (51) **LOC (11) Cl.** **12-02**
- (52) **U.S. Cl.**
USPC **D34/21**
- (58) **Field of Classification Search**
USPC D34/12, 13, 17, 20, 21, 23, 26, 27;
211/187, 134, 186, 194; D6/675.2, 675.1,
D6/675.5; D3/304-315; 280/33.991,
280/47.19
CPC B62B 1/12; B62B 5/0438; B62B 2205/32;
B62B 3/0606
See application file for complete search history.

D436,239 S *	1/2001	Walsh	D34/17
6,173,847 B1 *	1/2001	Zellner, III	A47B 55/02 211/186
D472,735 S	4/2003	Haugen		
D523,245 S	6/2006	Post		
D551,455 S	9/2007	Norvell		
D579,660 S	11/2008	Snider		
D636,550 S *	4/2011	Molayem	D34/17
D644,491 S	9/2011	Snider		
D651,405 S	1/2012	Lee		
D734,914 S *	7/2015	Tsai	D34/21
D756,584 S *	5/2016	Dunford	D34/12
D757,387 S *	5/2016	Cao	D34/21
D831,390 S *	10/2018	Li	D6/675.1
D832,549 S *	10/2018	Cao	D34/21
2006/0032829 A1 *	2/2006	Hutzler	A47B 13/02 211/187
2010/0288717 A1 *	11/2010	Morandi	A47B 43/00 211/187

* cited by examiner

Primary Examiner — Cynthia Ramirez
Assistant Examiner — Gino Colan

(57) **CLAIM**

The ornamental design for a rolling storage cart with mesh baskets, as shown and described.

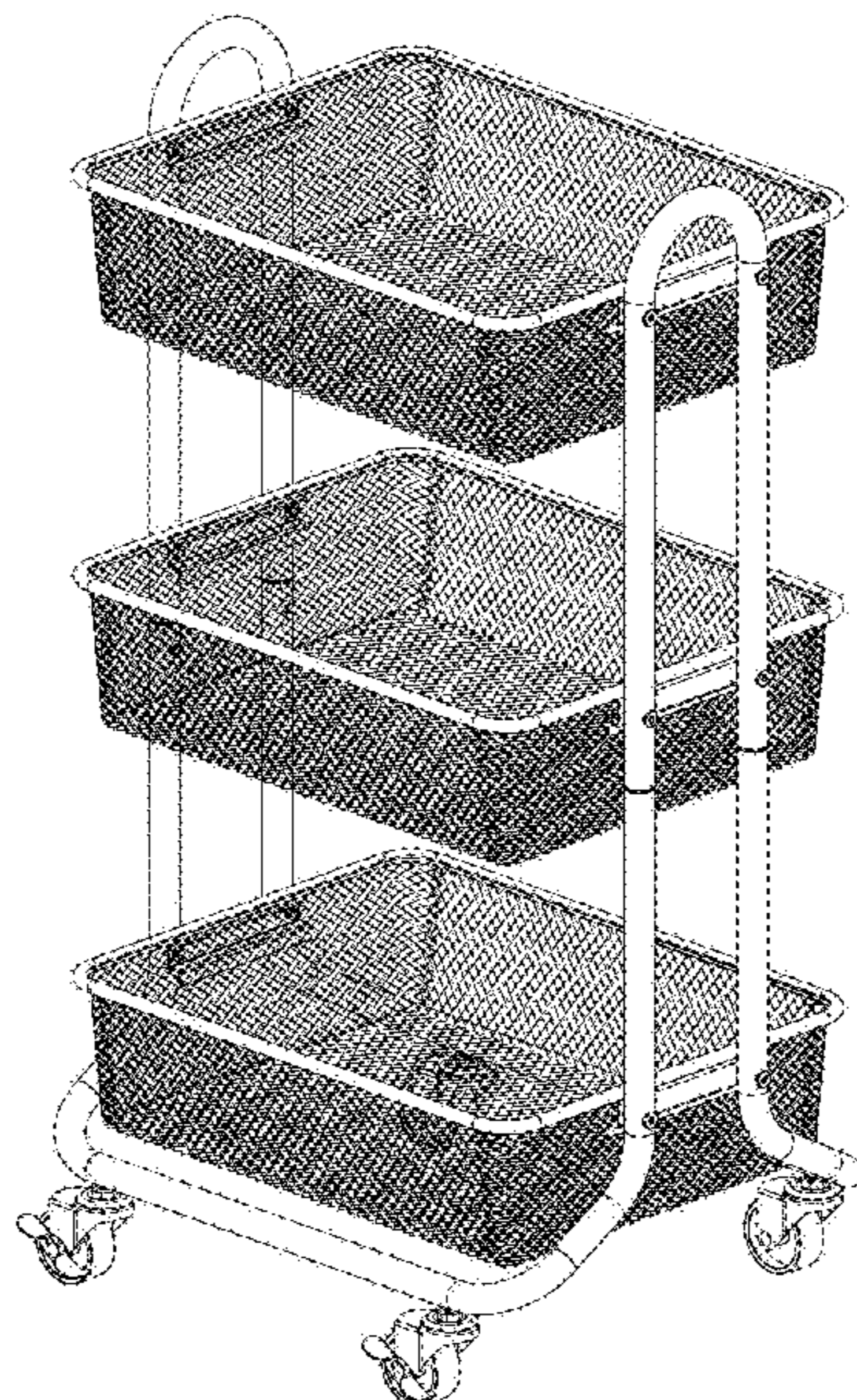
DESCRIPTION

FIG. 1 is a perspective view of rolling storage cart with mesh baskets;
FIG. 2 is a front view thereof;
FIG. 3 is a bottom view thereof;
FIG. 4 is a top view thereof;
FIG. 5 is a rear side view thereof;
FIG. 6 is a left side view thereof; and,
FIG. 7 is a right side view thereof.

1 Claim, 7 Drawing Sheets

(56) **References Cited**
U.S. PATENT DOCUMENTS

D245,783 S	9/1977	Fieni		
D301,590 S	6/1989	Foran et al.		
5,271,551 A	12/1993	Roepke		
D354,516 S	1/1995	Crist et al.		
D383,283 S	9/1997	Hankins, III		
D424,117 S	5/2000	Steinbeck et al.		
6,079,719 A *	6/2000	Tisbo	B62B 3/006 280/47.19
D433,711 S	11/2000	Andujar		



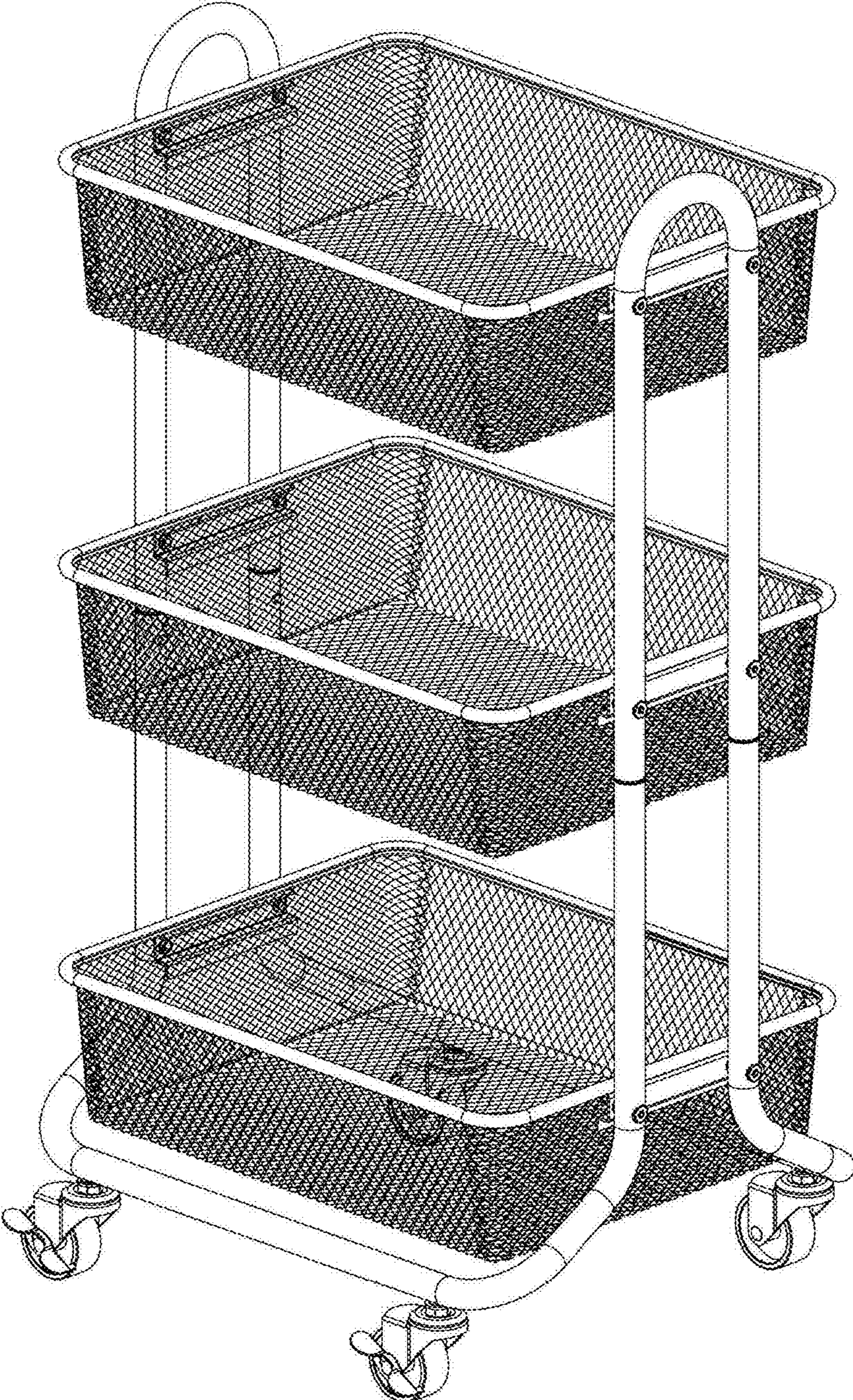


FIG. 1

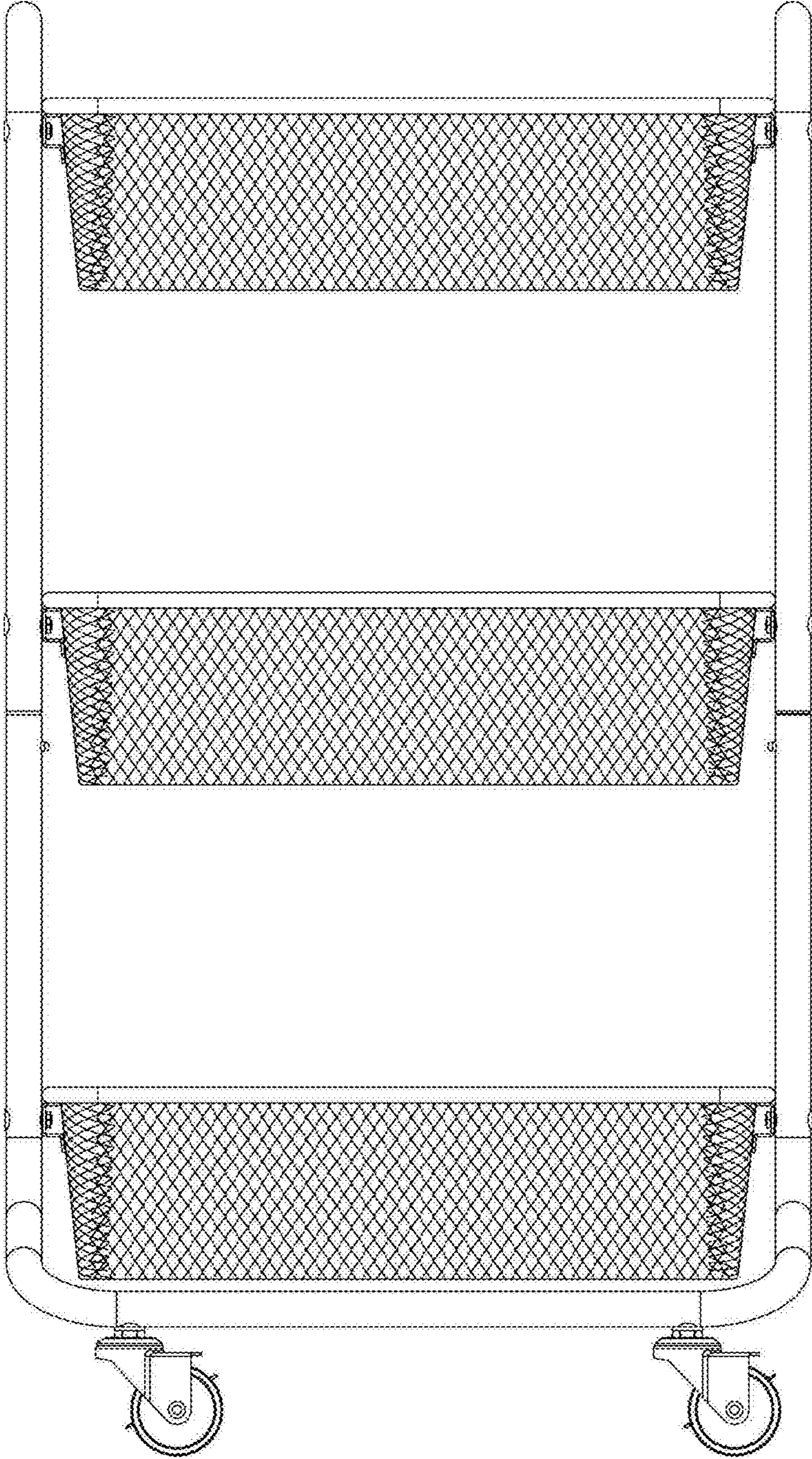


FIG. 2

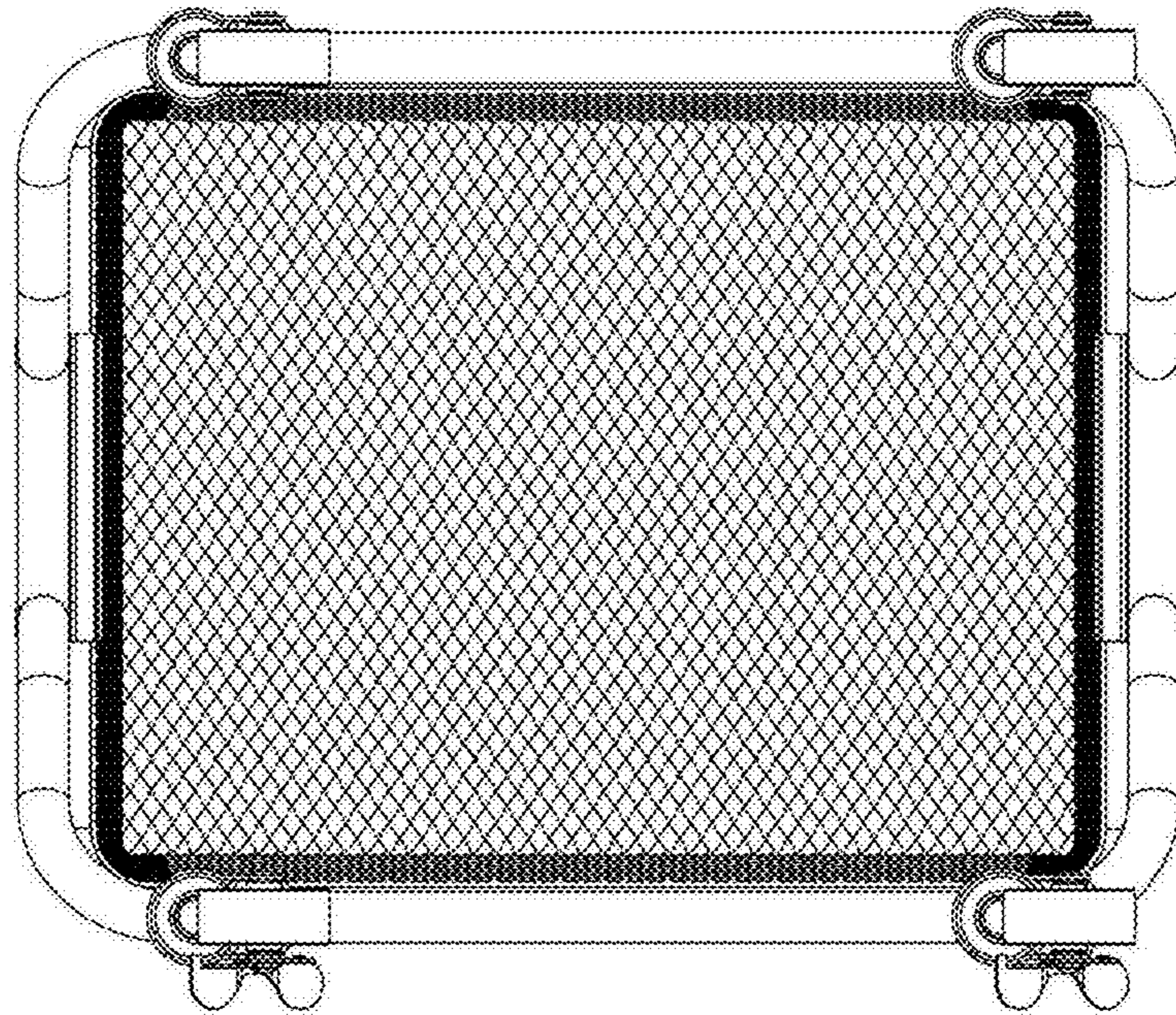


FIG. 3

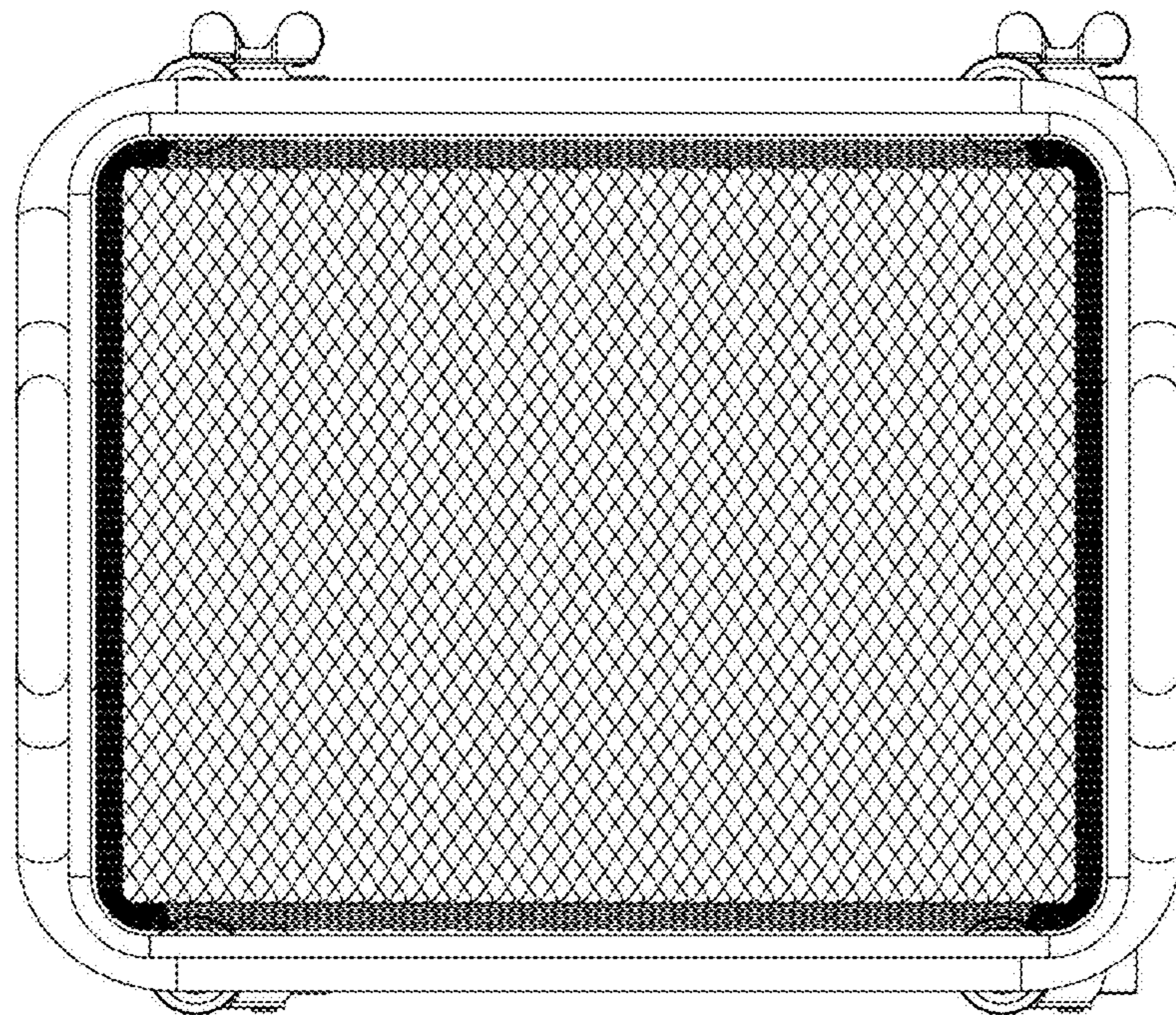


FIG. 4

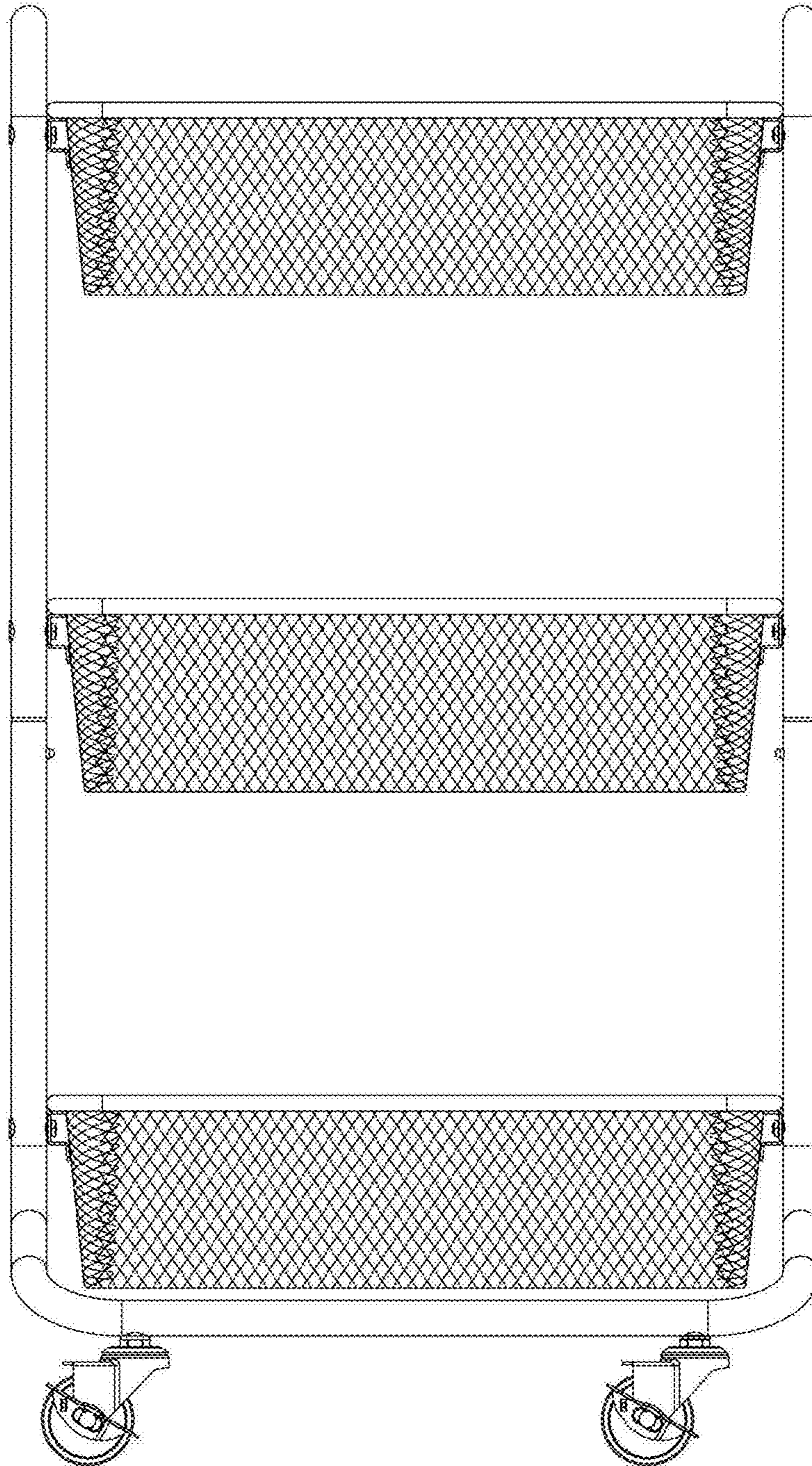


FIG. 5

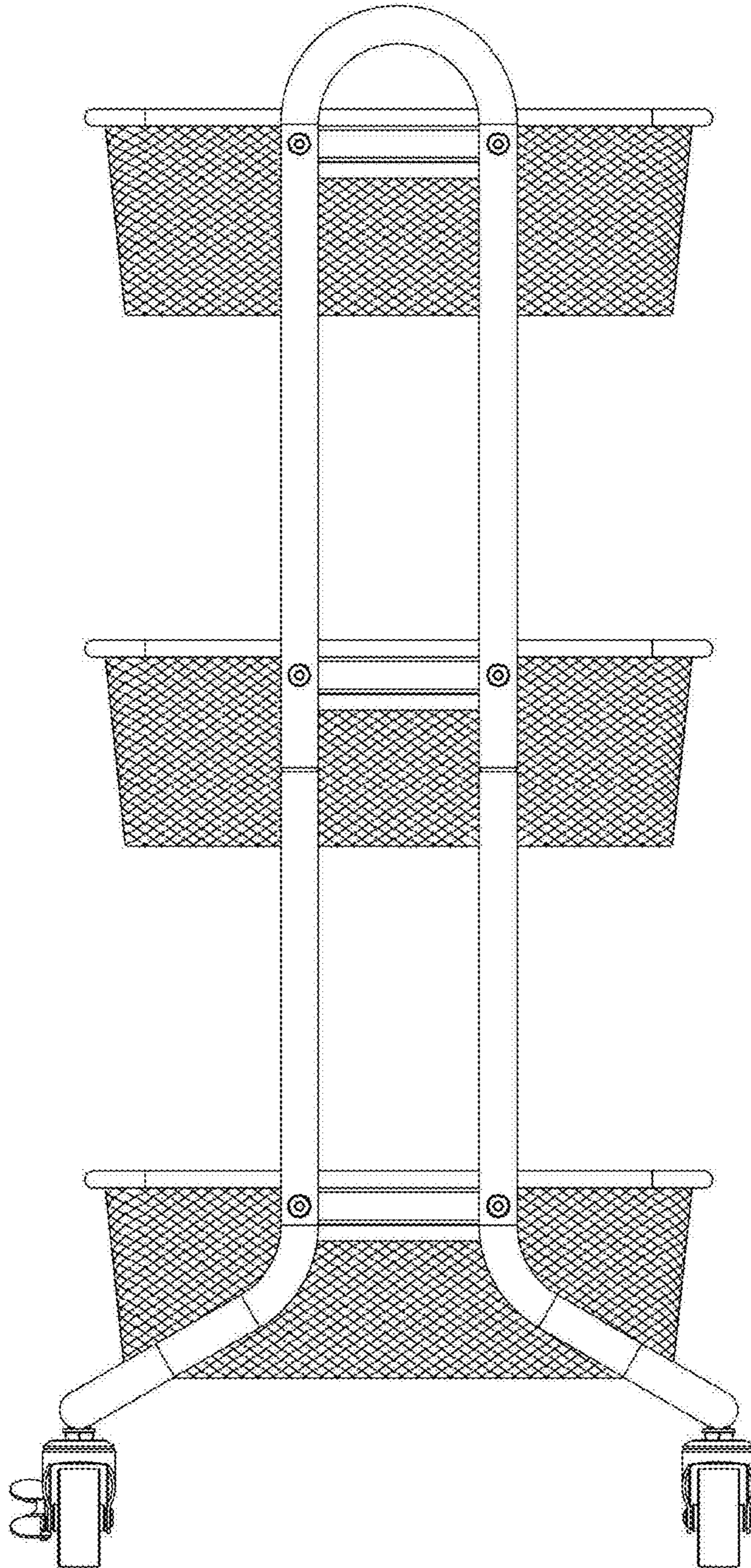


FIG. 6

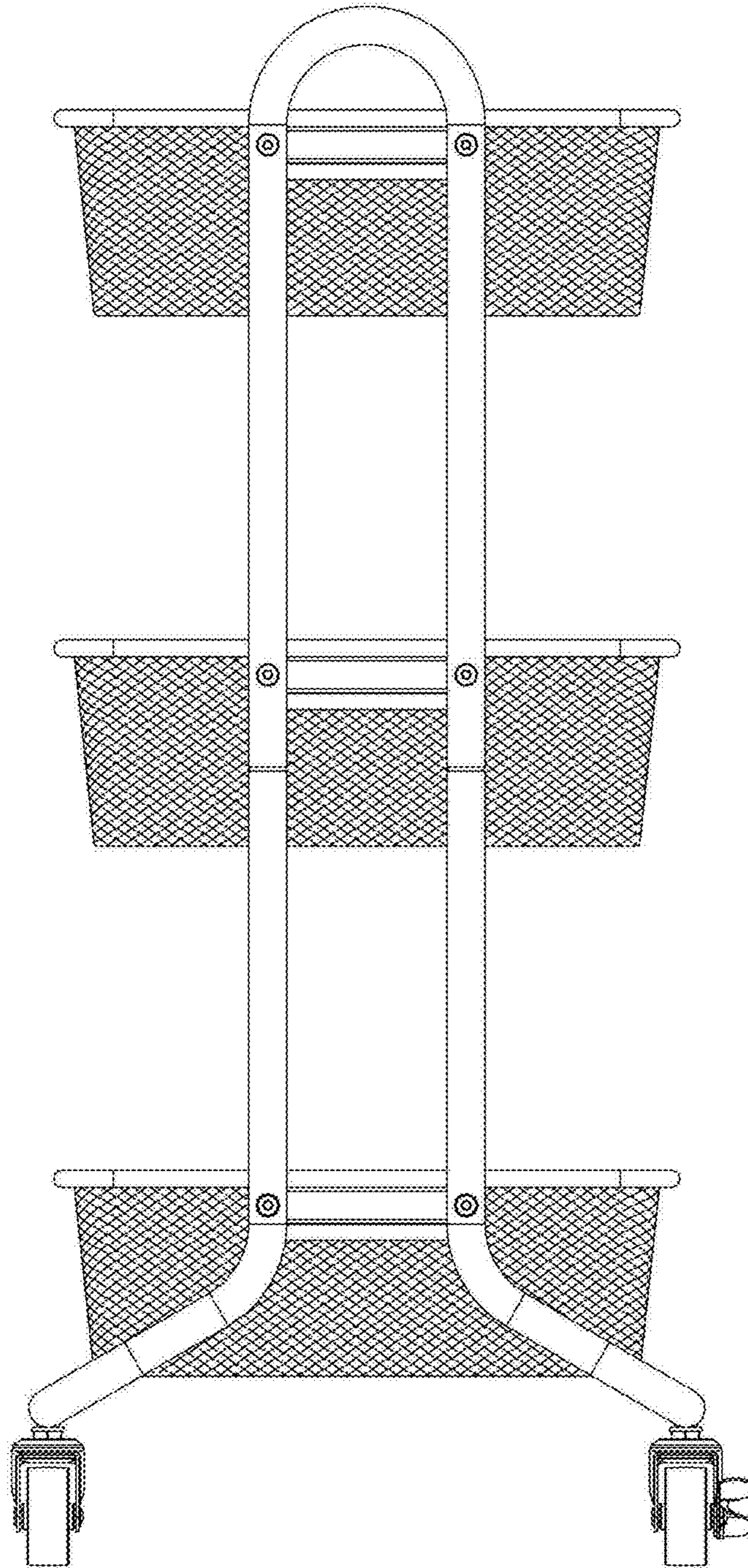


FIG. 7