



US00D852448S

(12) **United States Design Patent** (10) **Patent No.:** **US D852,448 S**  
**Hu** (45) **Date of Patent:** **\*\* Jun. 25, 2019**

(54) **ROLLING STORAGE CART**  
(71) Applicant: **Yajun Hu**, El Dorado Hills, CA (US)  
(72) Inventor: **Yajun Hu**, El Dorado Hills, CA (US)  
(73) Assignee: **YAJUN HU EUREKA LLC**, El Dorado Hills, CA (US)

D551,455 S 9/2007 Norvell  
D579,660 S 11/2008 Snider  
D636,550 S \* 4/2011 Molayem ..... D34/17  
D644,491 S 9/2011 Snider  
D651,405 S 1/2012 Lee  
D734,914 S \* 7/2015 Tsai ..... D34/21  
D756,584 S \* 5/2016 Dunford ..... D34/12  
D757,387 S \* 5/2016 Cao ..... D34/21

(Continued)

(\*\*) Term: **15 Years**

*Primary Examiner* — Cynthia Ramirez  
*Assistant Examiner* — Gino Colan

(21) Appl. No.: **29/602,284**

(57) **CLAIM**

(22) Filed: **Apr. 28, 2017**

The ornamental design for a rolling storage cart, as shown and described.

(51) **LOC (11) Cl.** ..... **12-02**

(52) **U.S. Cl.**  
USPC ..... **D34/21**

**DESCRIPTION**

(58) **Field of Classification Search**  
USPC ..... D34/12, 13, 17, 20, 21, 23, 26, 27;  
280/651, 47.19, 47.35, 47.34, 33.991;  
211/187, 134, 186, 194; D6/675.2, 675.1,  
D6/675.5; D3/304–315  
CPC ..... B62B 1/12; B62B 5/0438; B62B 2205/32;  
B62B 3/0606  
See application file for complete search history.

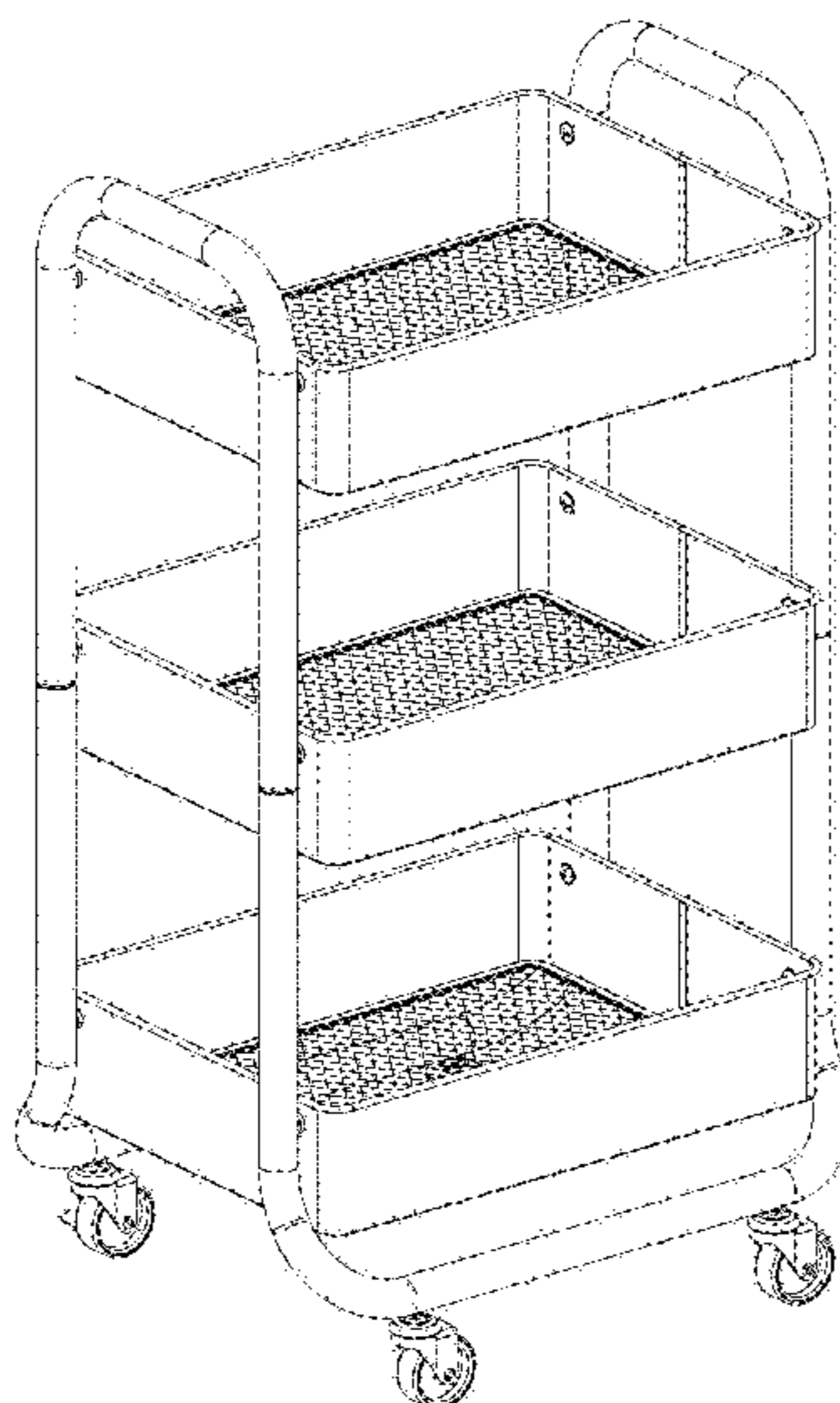
FIG. 1 is a perspective view of a first embodiment of a rolling storage cart showing my new design;  
FIG. 2 is a front view thereof;  
FIG. 3 is a bottom view thereof;  
FIG. 4 is a top view thereof;  
FIG. 5 is a rear side view thereof;  
FIG. 6 is a left side view thereof;  
FIG. 7 is a right side view thereof;  
FIG. 8 is a perspective view of a second embodiment of a rolling storage cart showing my new design;  
FIG. 9 is a left side view thereof;  
FIG. 10 is a right side view thereof;  
FIG. 11 is a perspective view of third embodiment of a rolling storage cart showing my new design;  
FIG. 12 is a left side view thereof;  
FIG. 13 is a right side view thereof;  
FIG. 14 is a perspective view of a fourth embodiment rolling storage cart showing my new design;  
FIG. 15 is a front view thereof;  
FIG. 16 is a rear side view thereof;  
FIG. 17 is a left side view thereof; and,  
FIG. 18 is a right side view thereof.

(56) **References Cited**

U.S. PATENT DOCUMENTS

D245,783 S 9/1977 Fieni  
D301,590 S 6/1989 Foran et al.  
5,271,551 A 12/1993 Roepke  
D354,516 S 1/1995 Crist et al.  
D383,283 S 9/1997 Hankins, III  
D424,117 S 5/2000 Steinbeck et al.  
6,079,719 A \* 6/2000 Tisbo ..... B62B 3/006  
280/47.19  
D433,711 S 11/2000 Andujar  
D436,239 S \* 1/2001 Walsh ..... D34/17  
6,173,847 B1 \* 1/2001 Zellner, III ..... A47B 55/02  
211/186  
D472,735 S 4/2003 Haugen  
D523,245 S 6/2006 Post

**1 Claim, 18 Drawing Sheets**



(56)

**References Cited**

U.S. PATENT DOCUMENTS

D831,390 S \* 10/2018 Li ..... D6/675.1  
D832,549 S \* 10/2018 Cao ..... D34/21  
2006/0032829 A1\* 2/2006 Hutzler ..... A47B 13/02  
211/187  
2010/0288717 A1\* 11/2010 Morandi ..... A47B 43/00  
211/187

\* cited by examiner

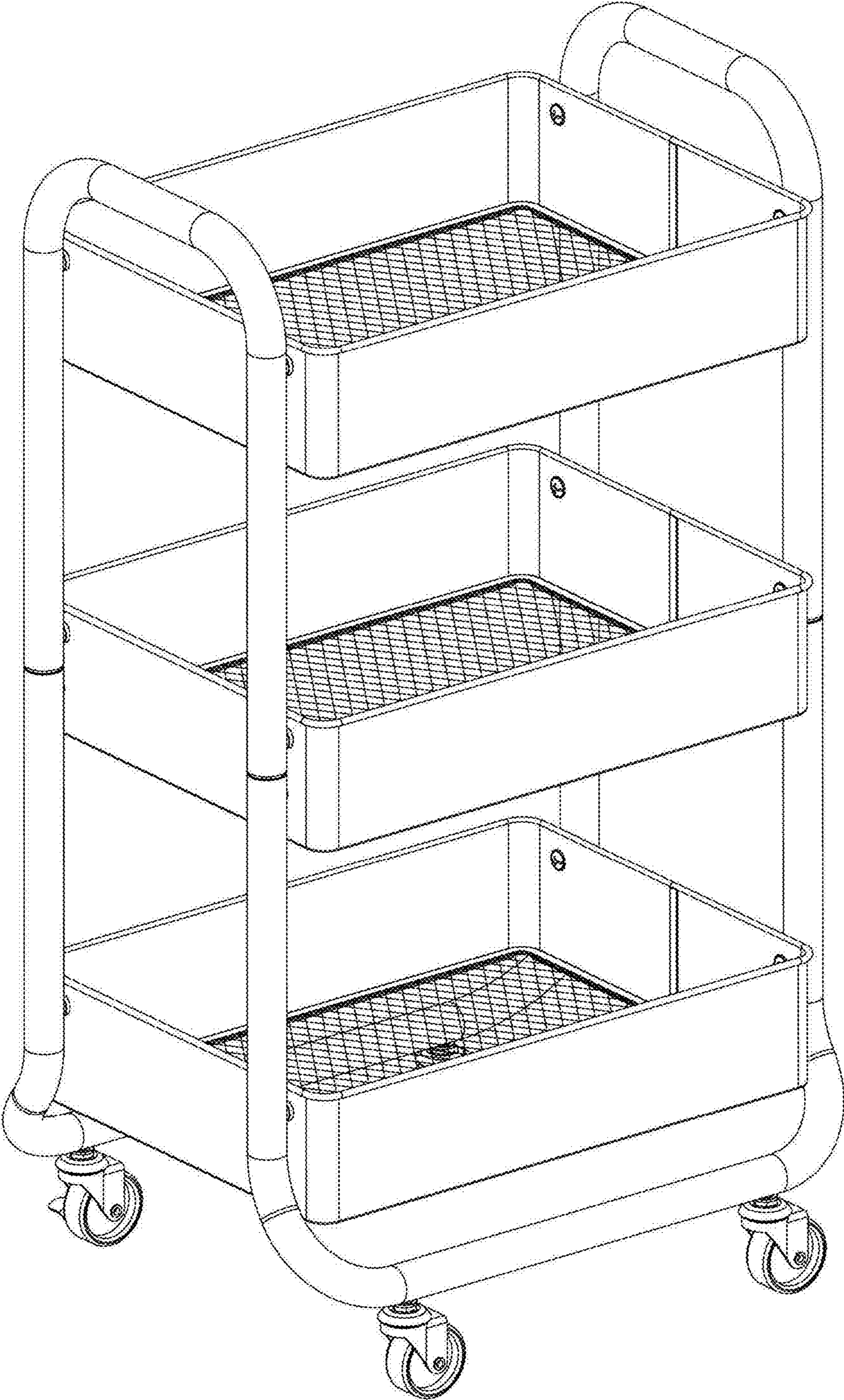


FIG. 1

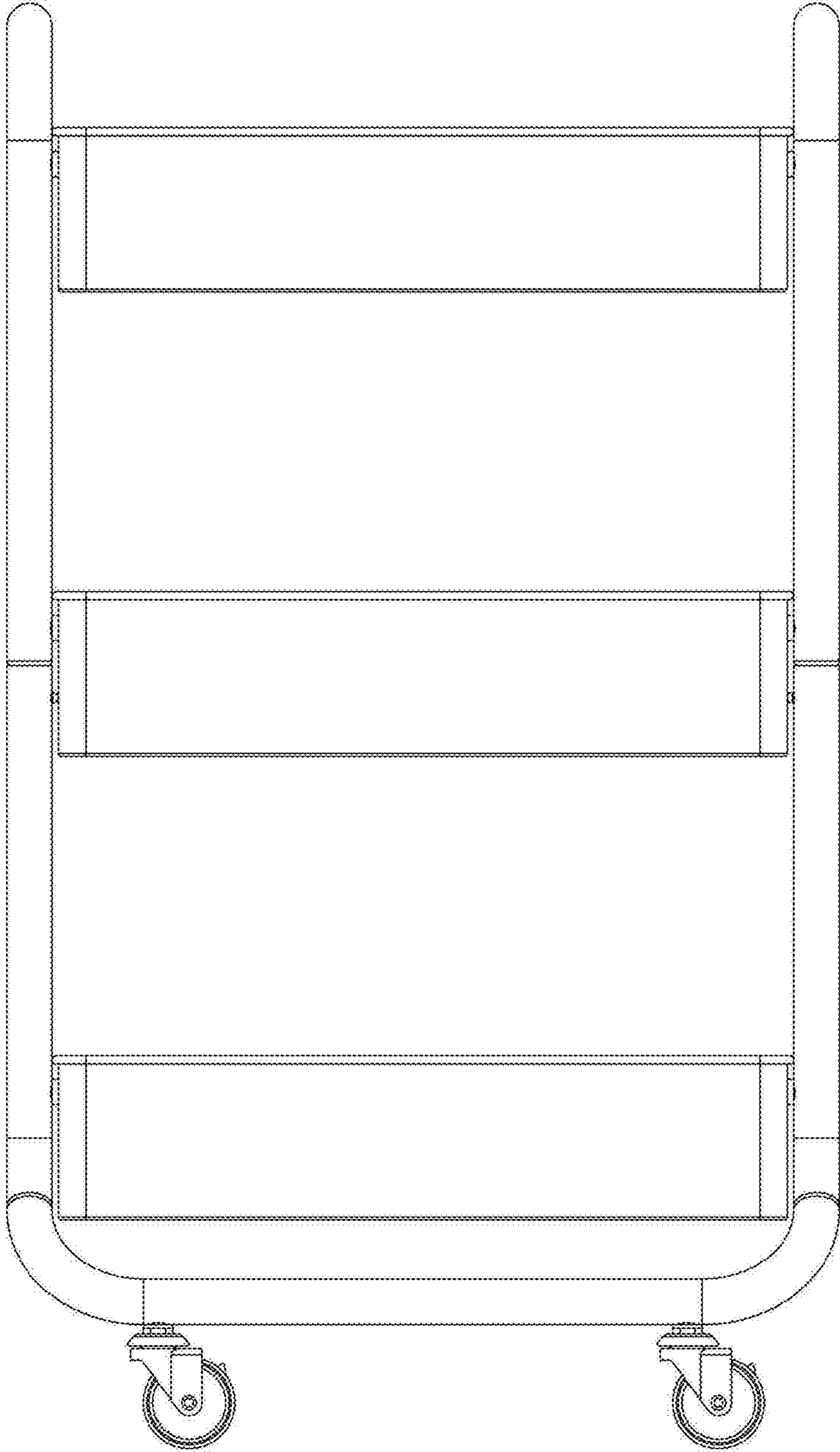


FIG. 2

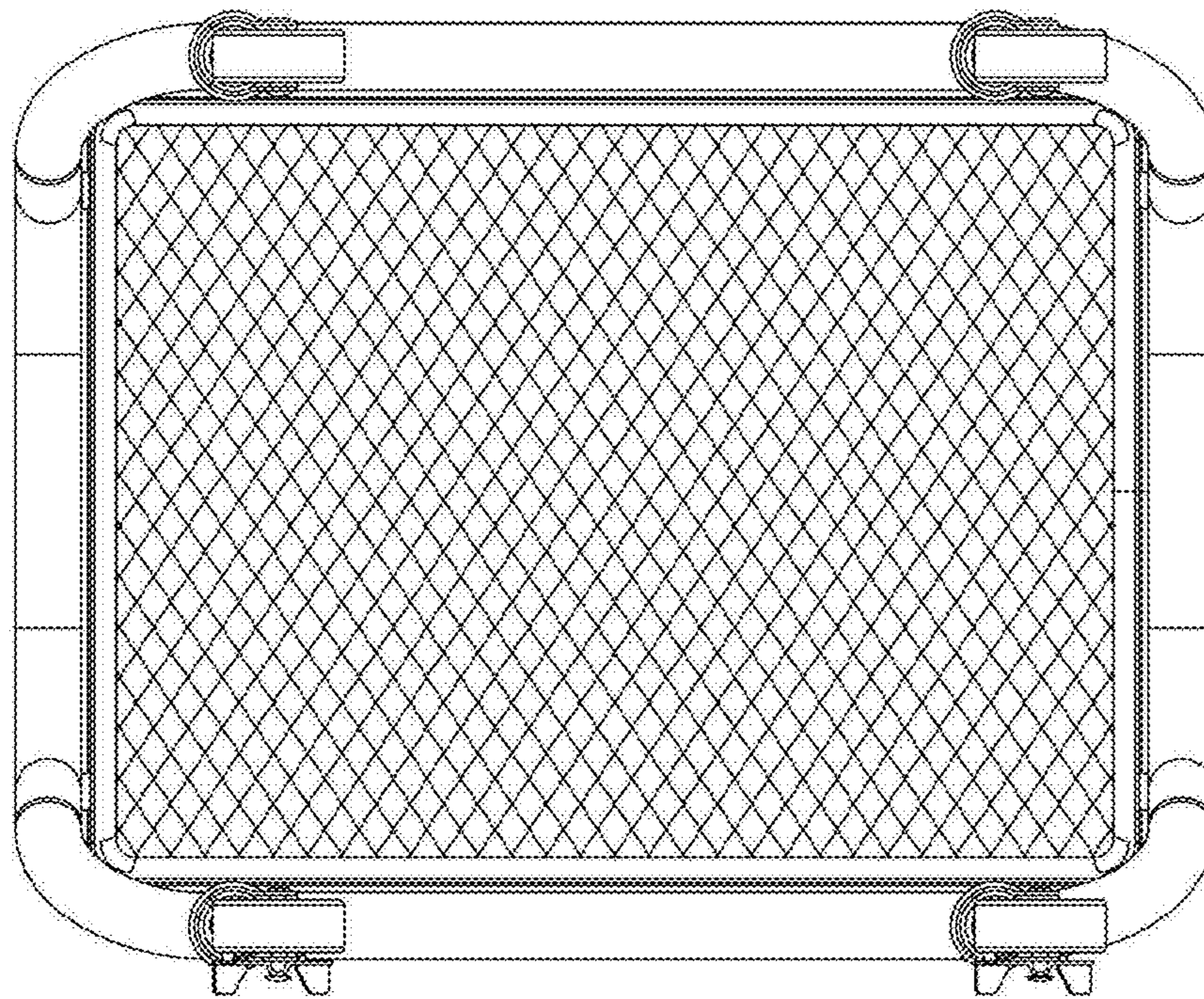


FIG. 3

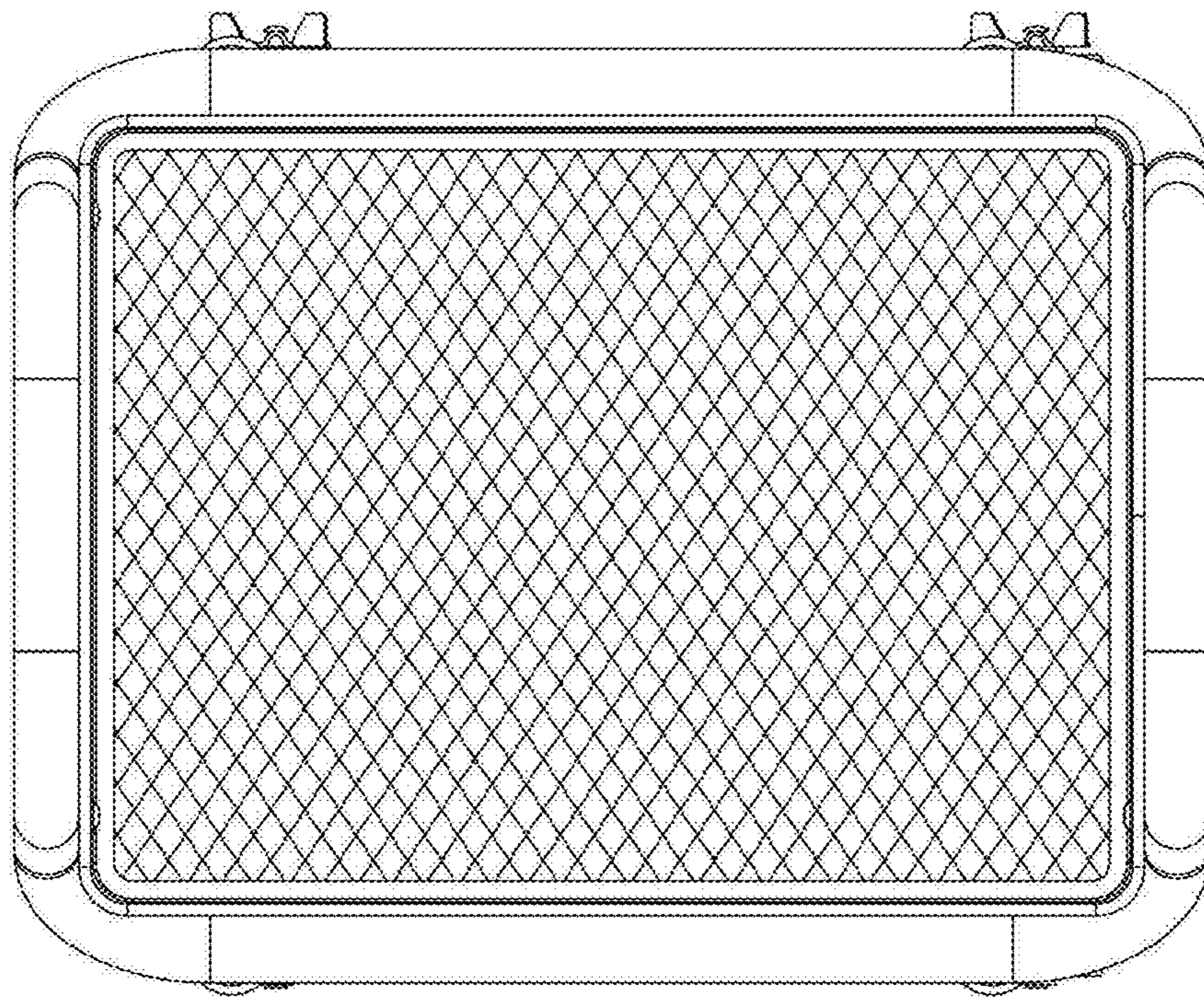


FIG. 4

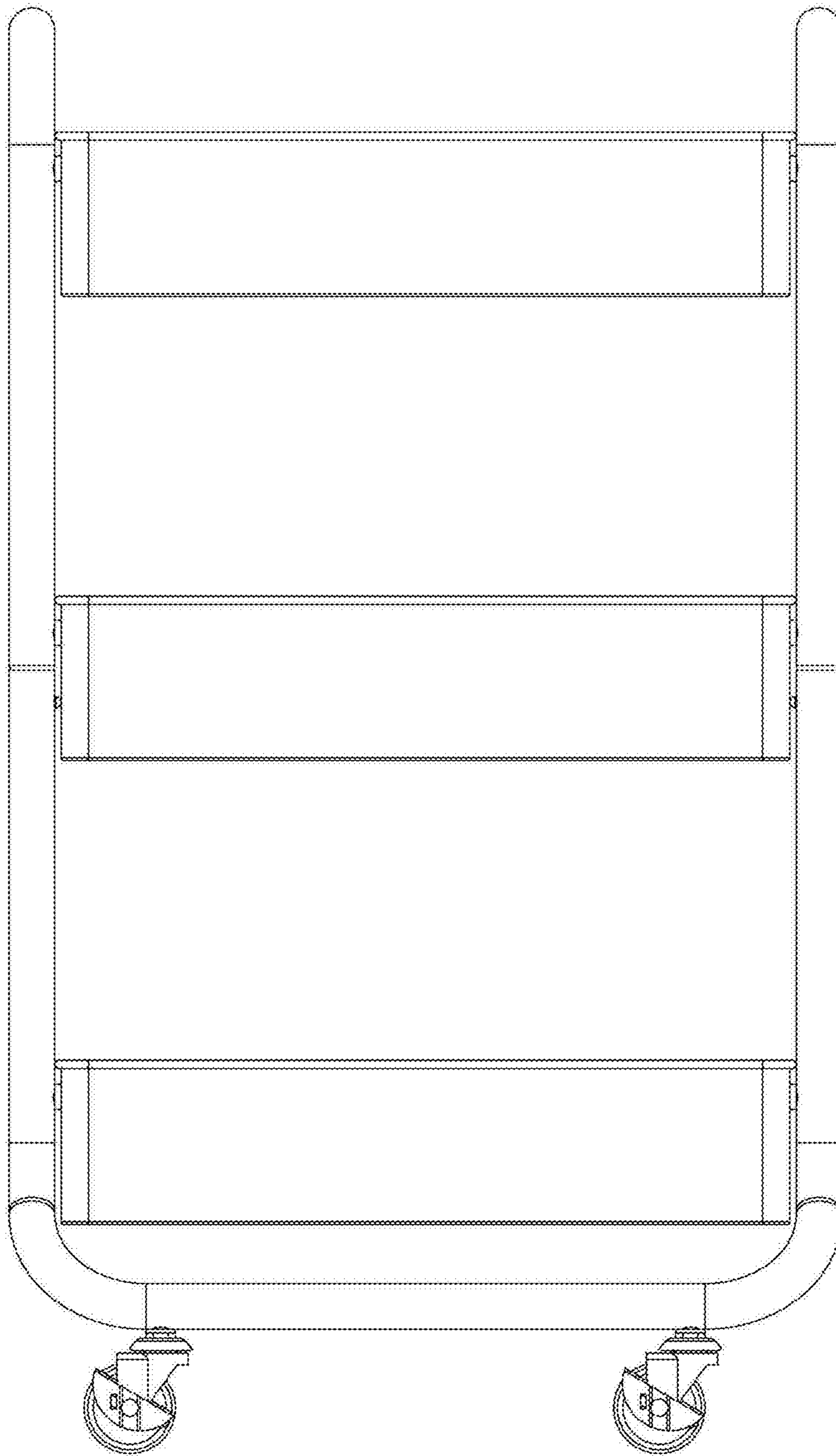


FIG. 5

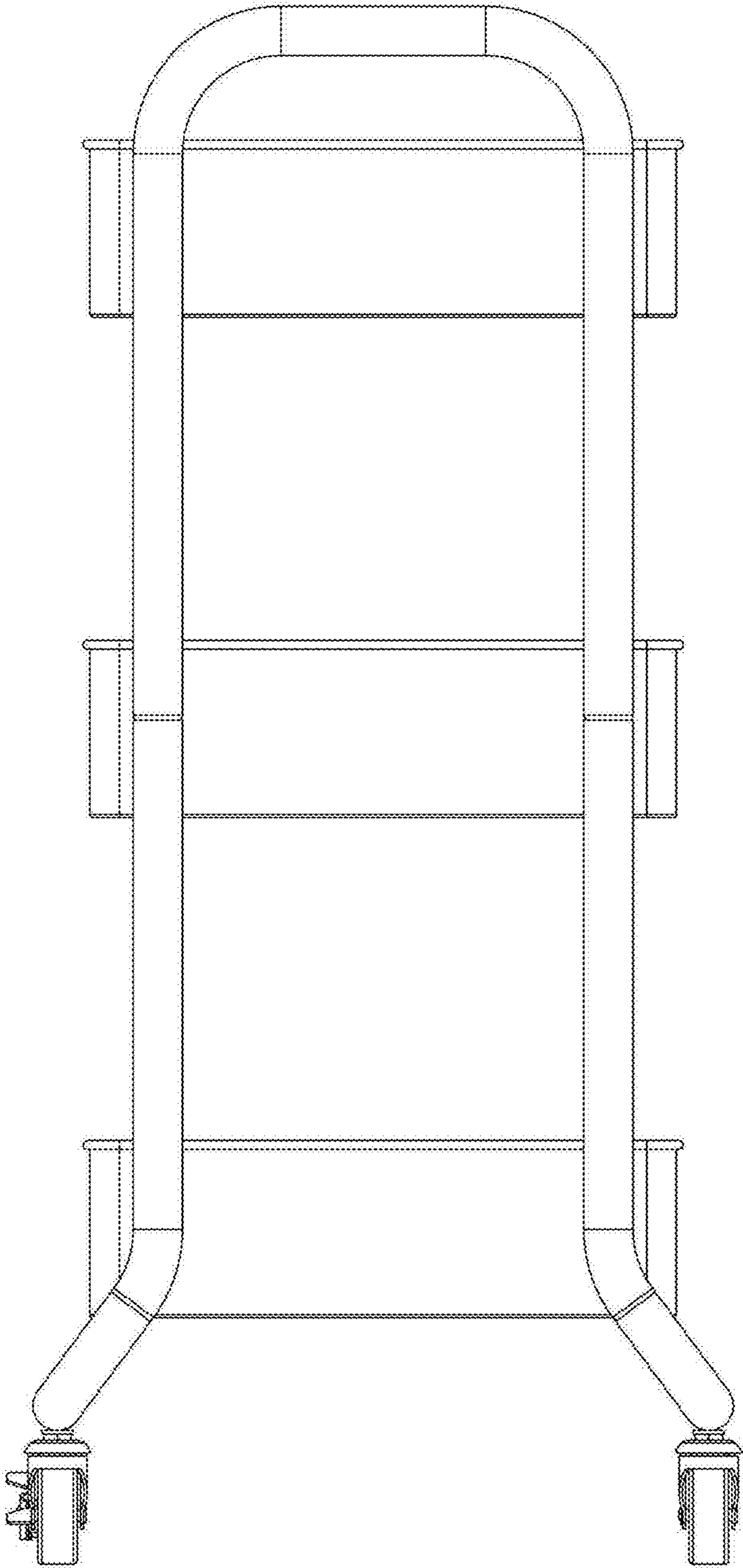


FIG. 6



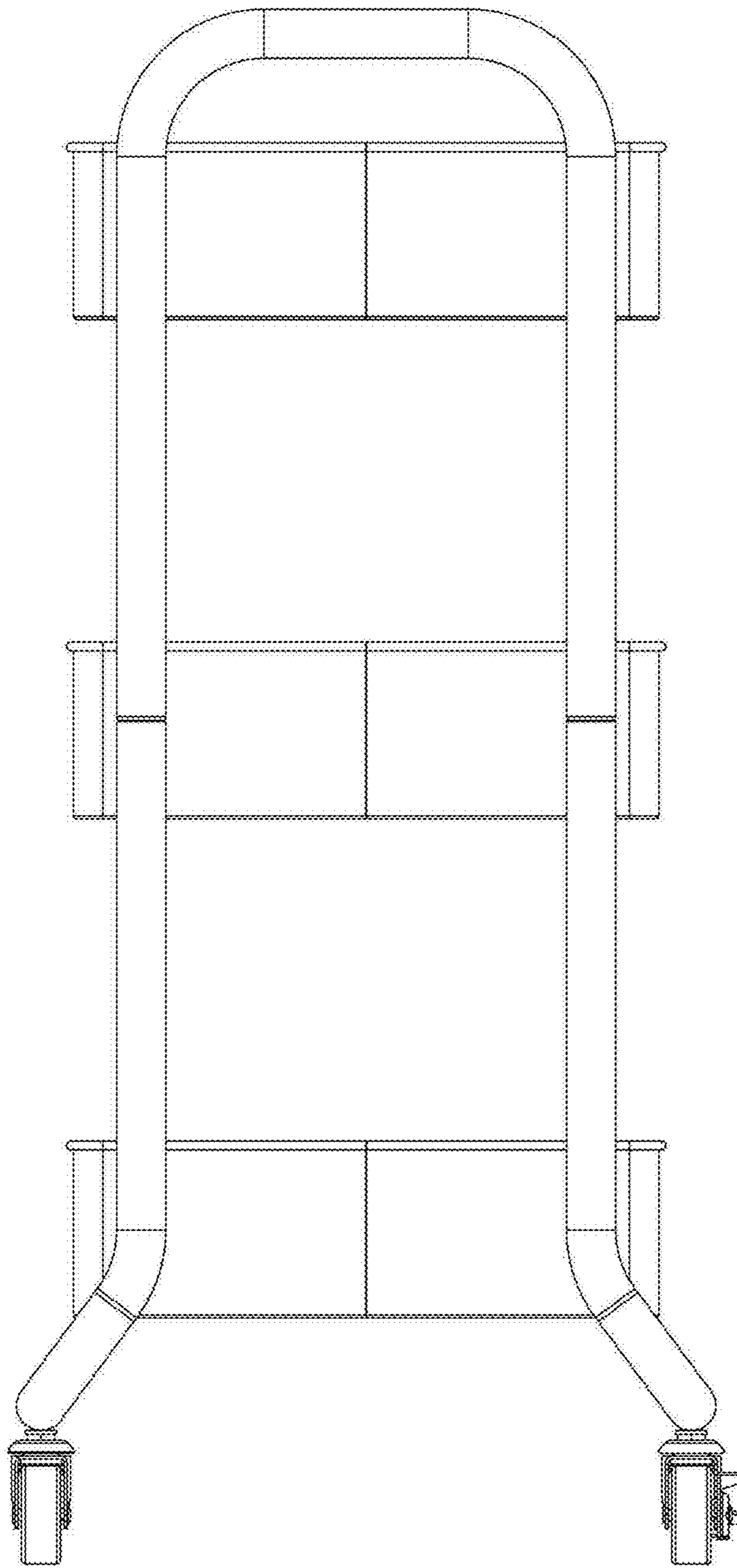


FIG. 7

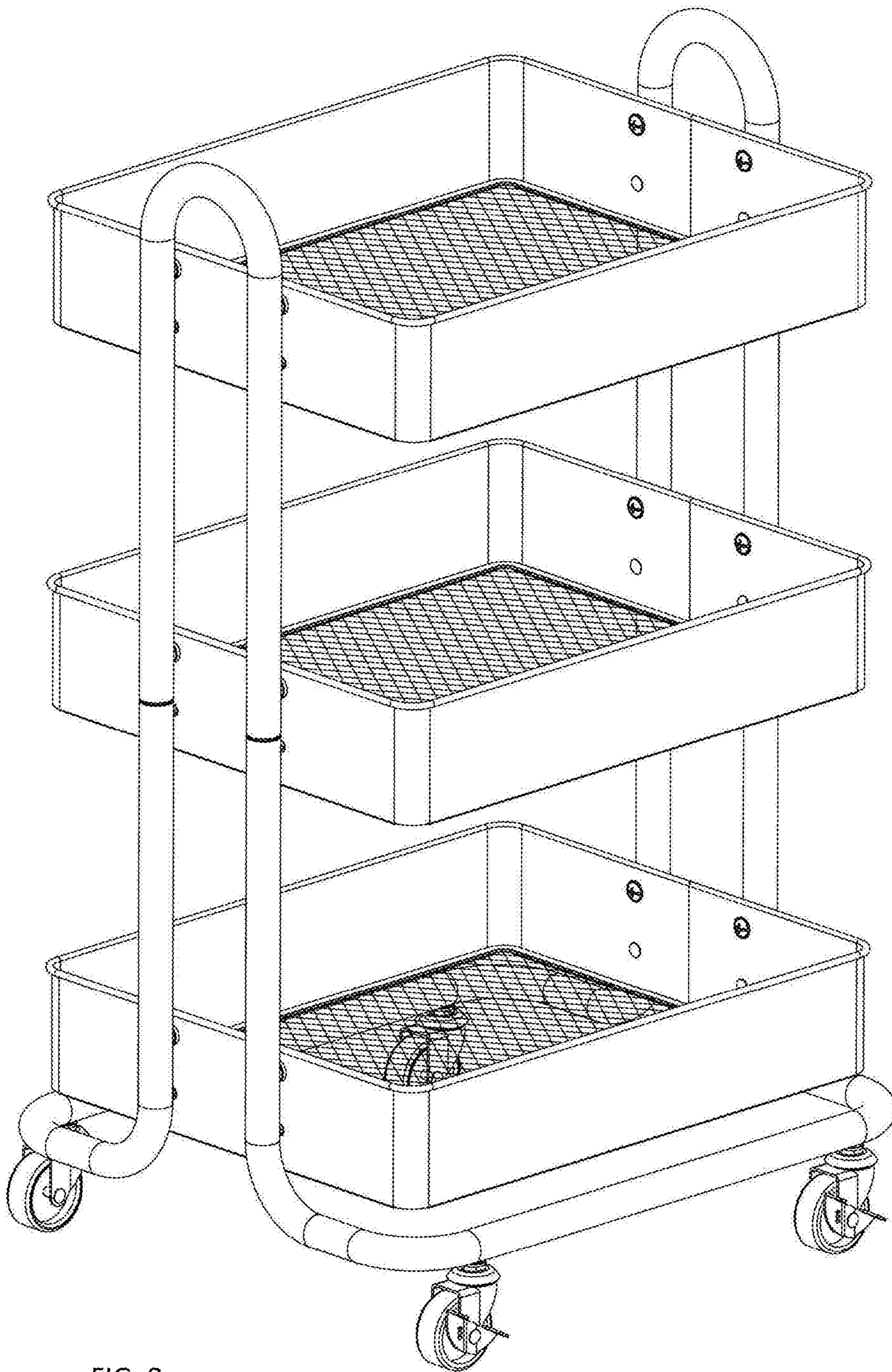


FIG. 8

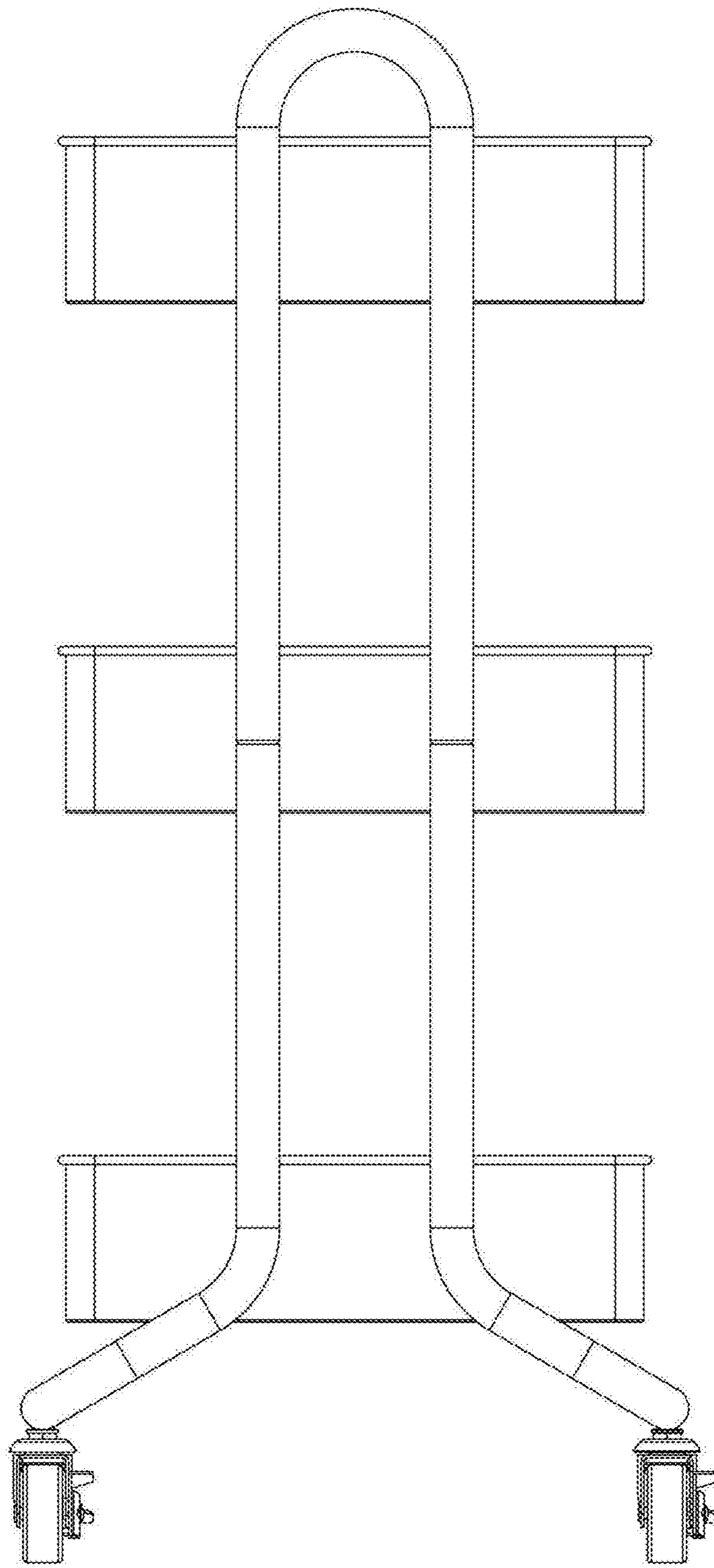


FIG. 9

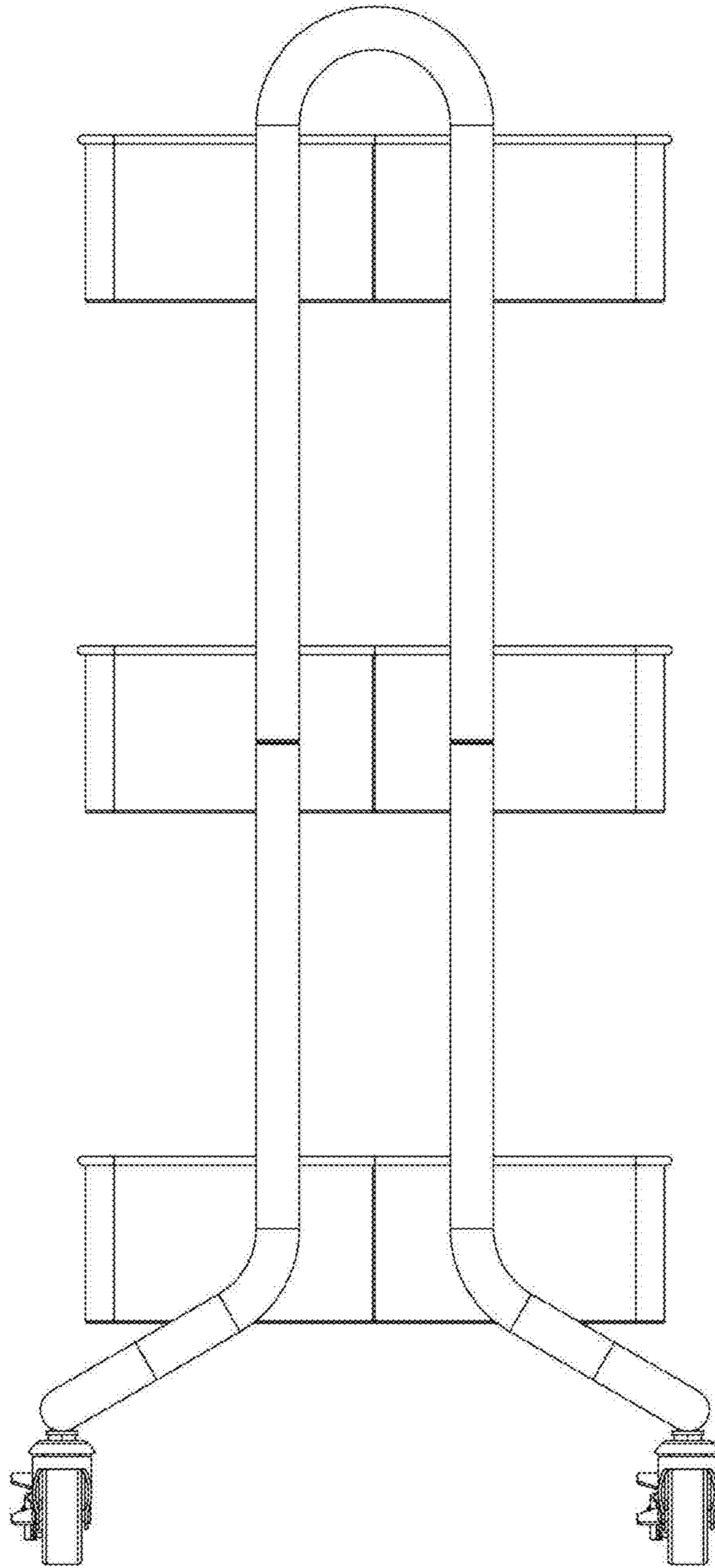


FIG. 10

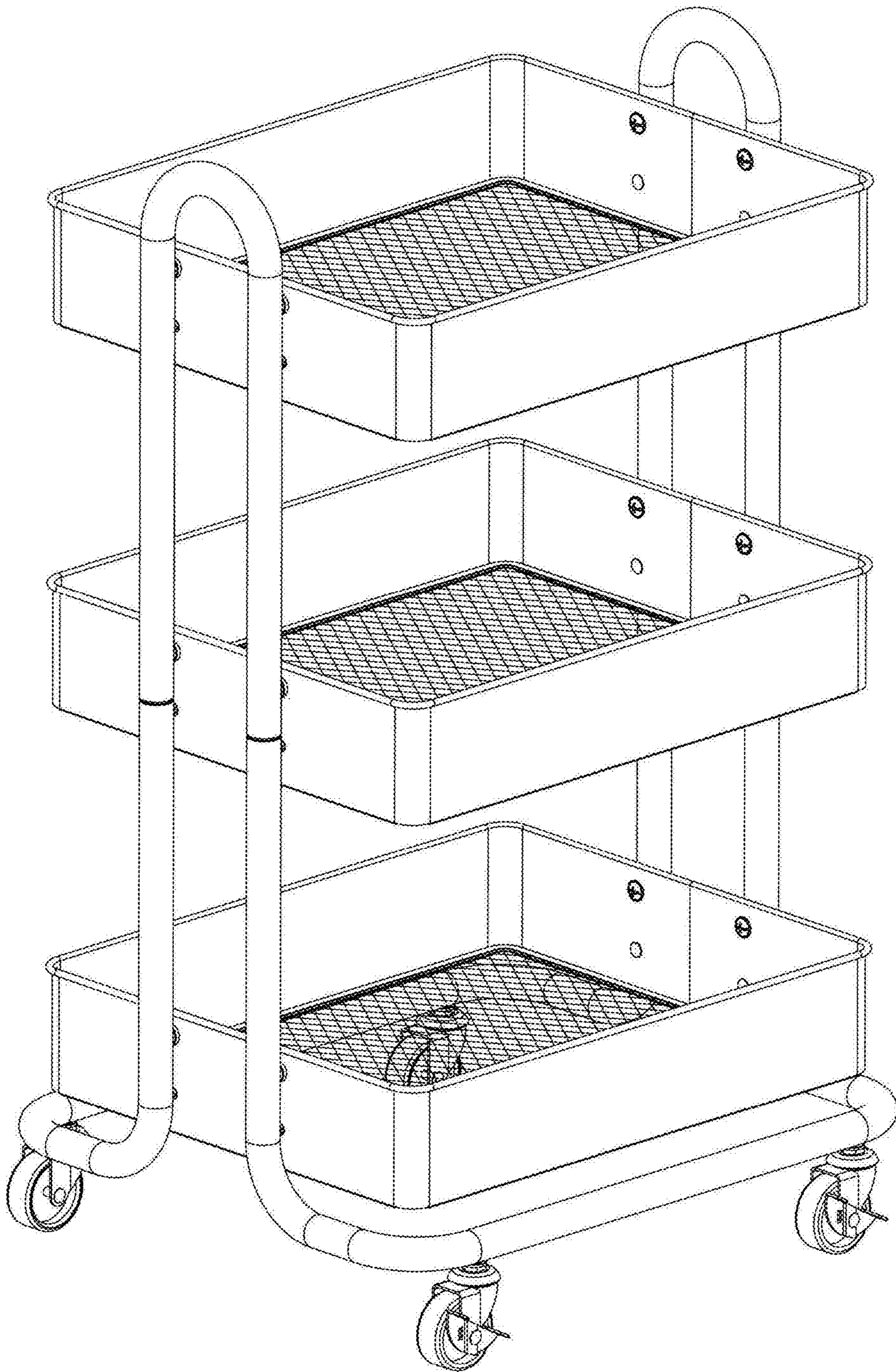


FIG. 11

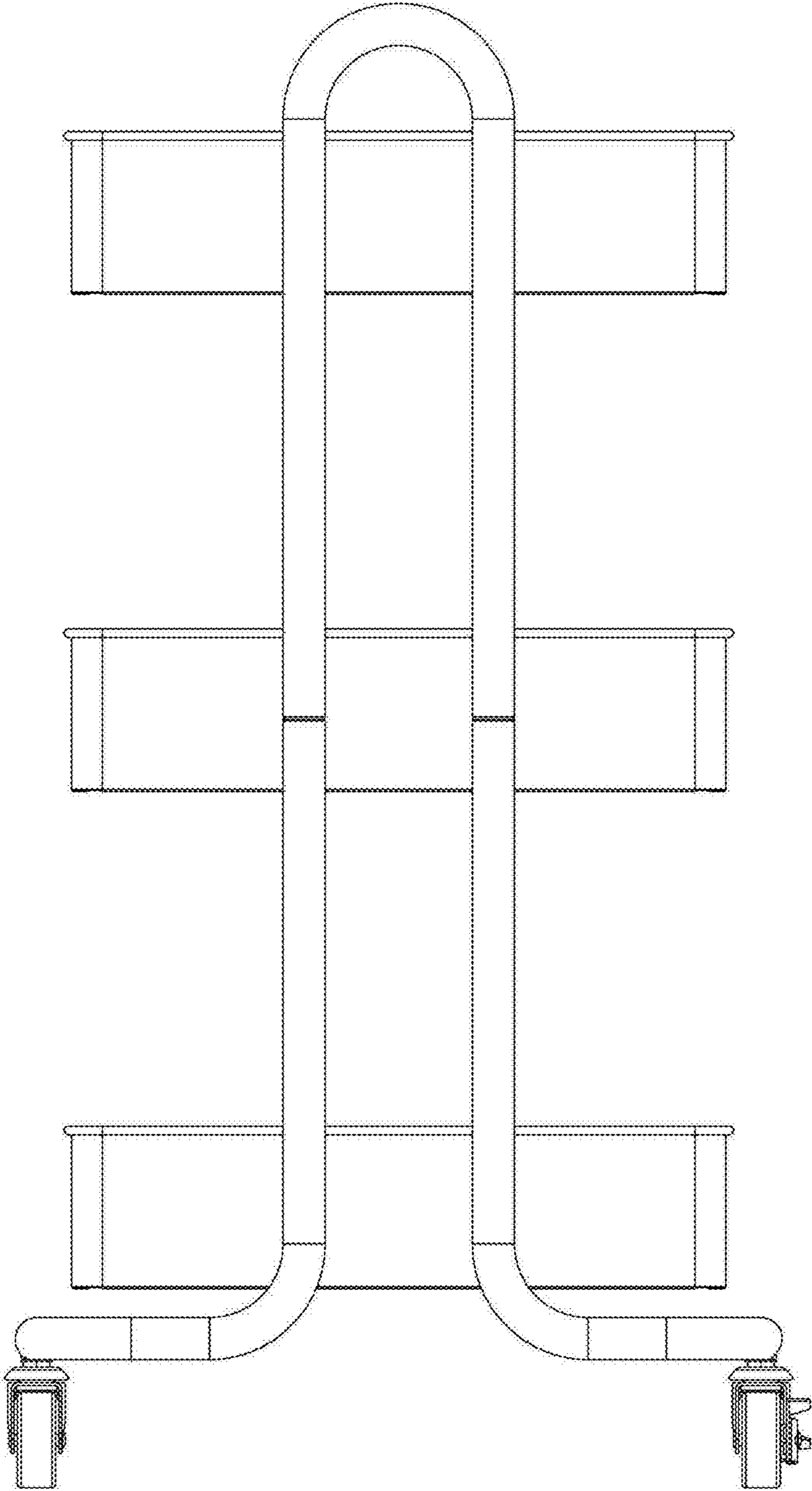


FIG. 12

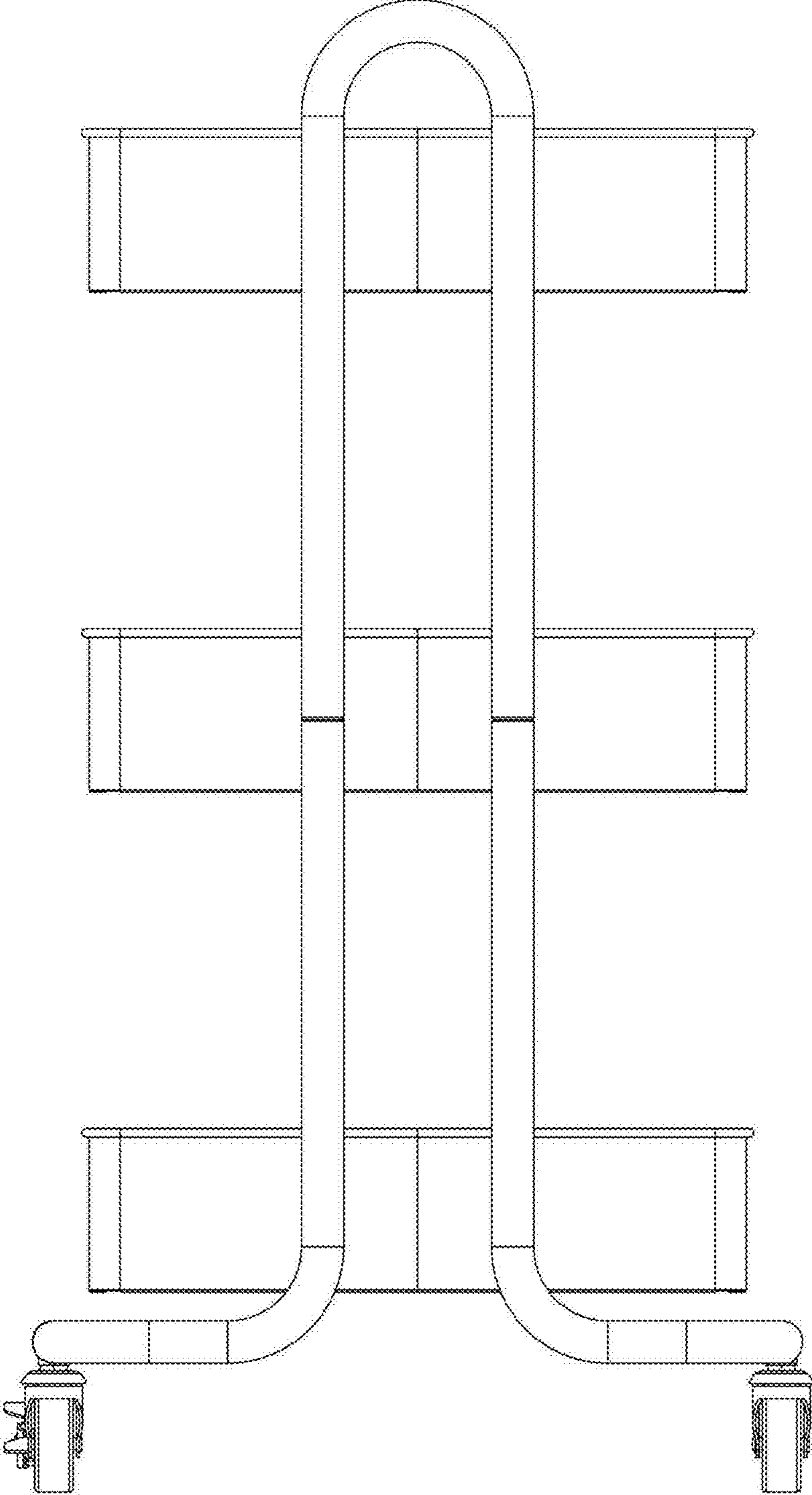


FIG. 13

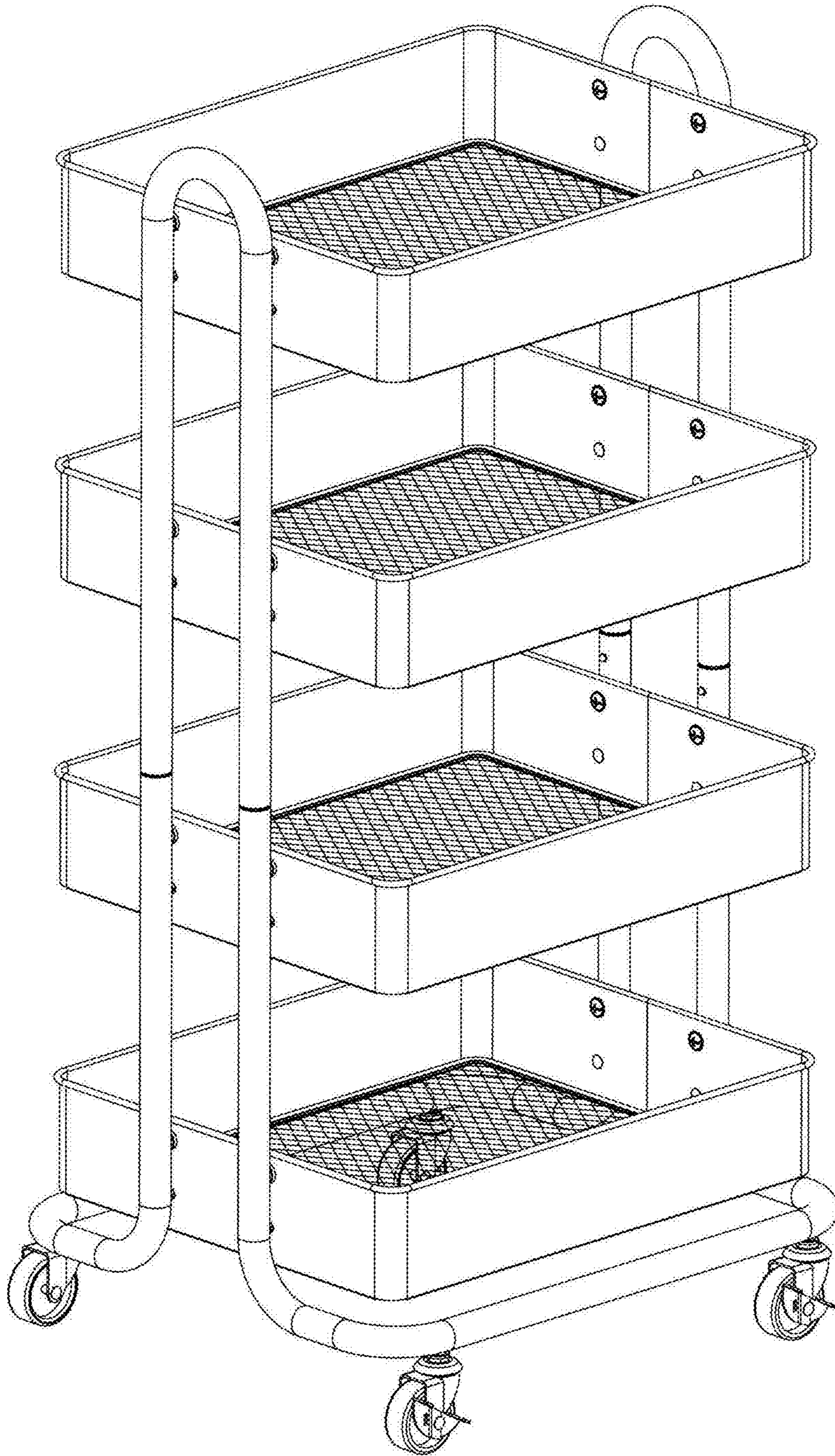


FIG. 14



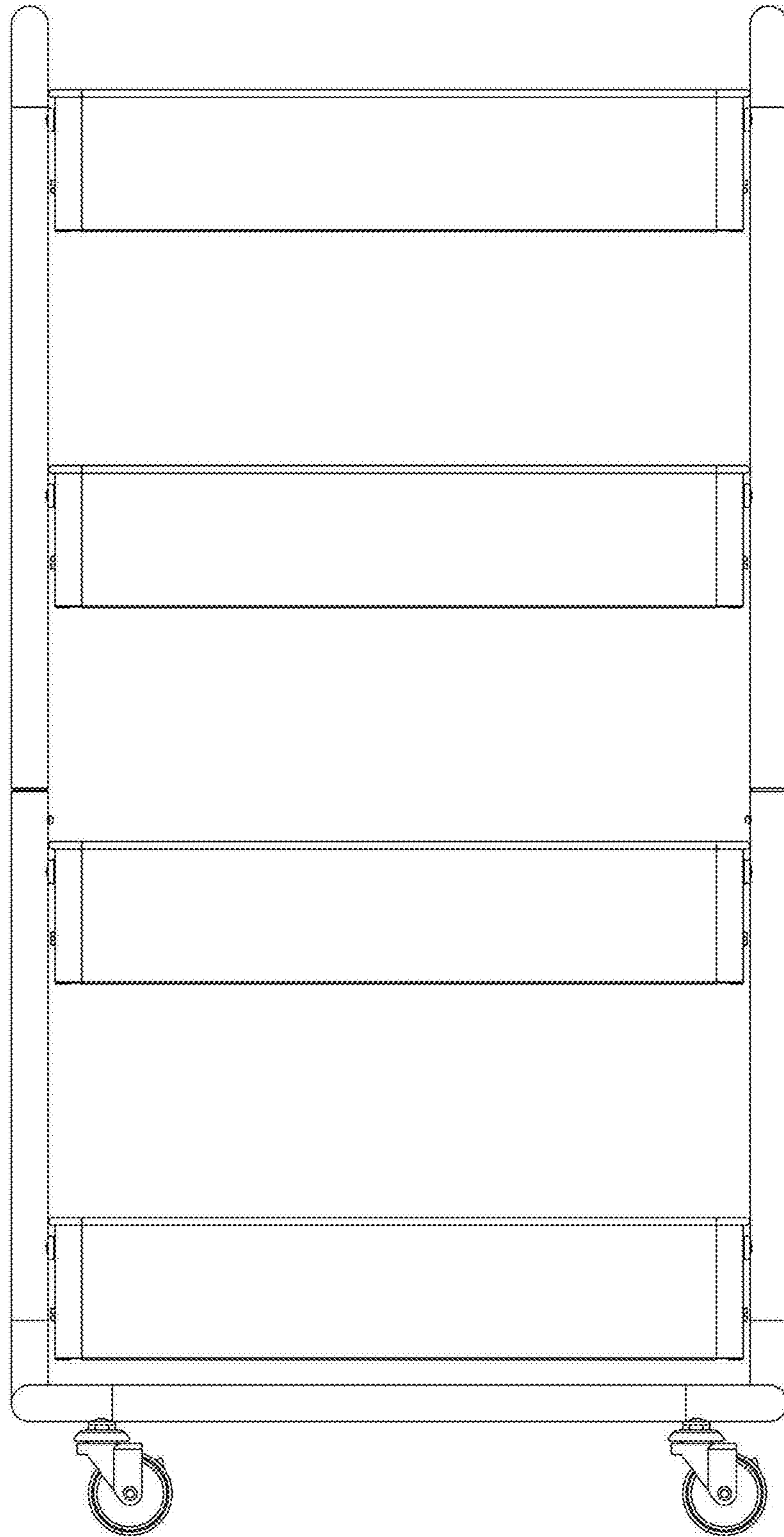


FIG. 15

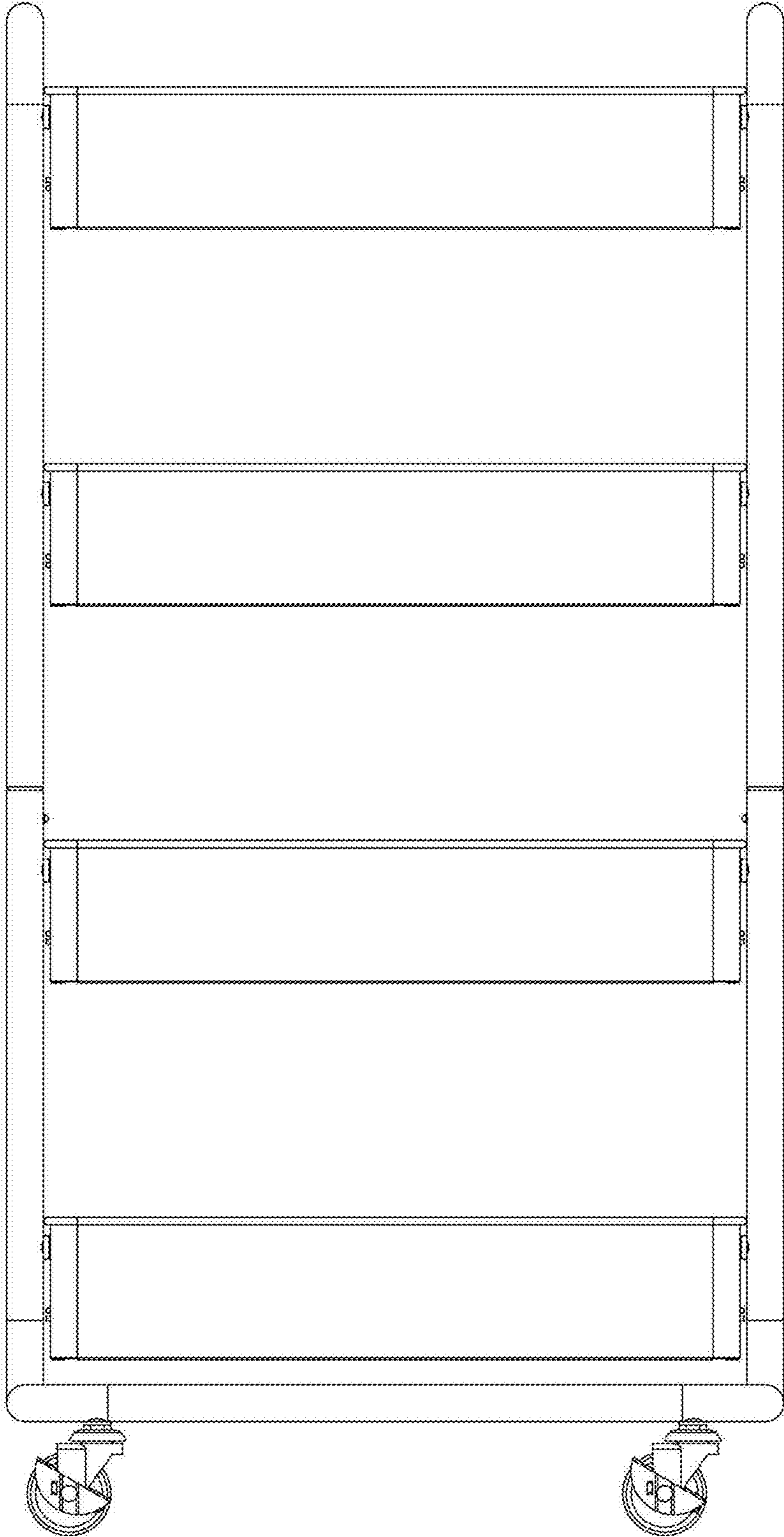


FIG. 16

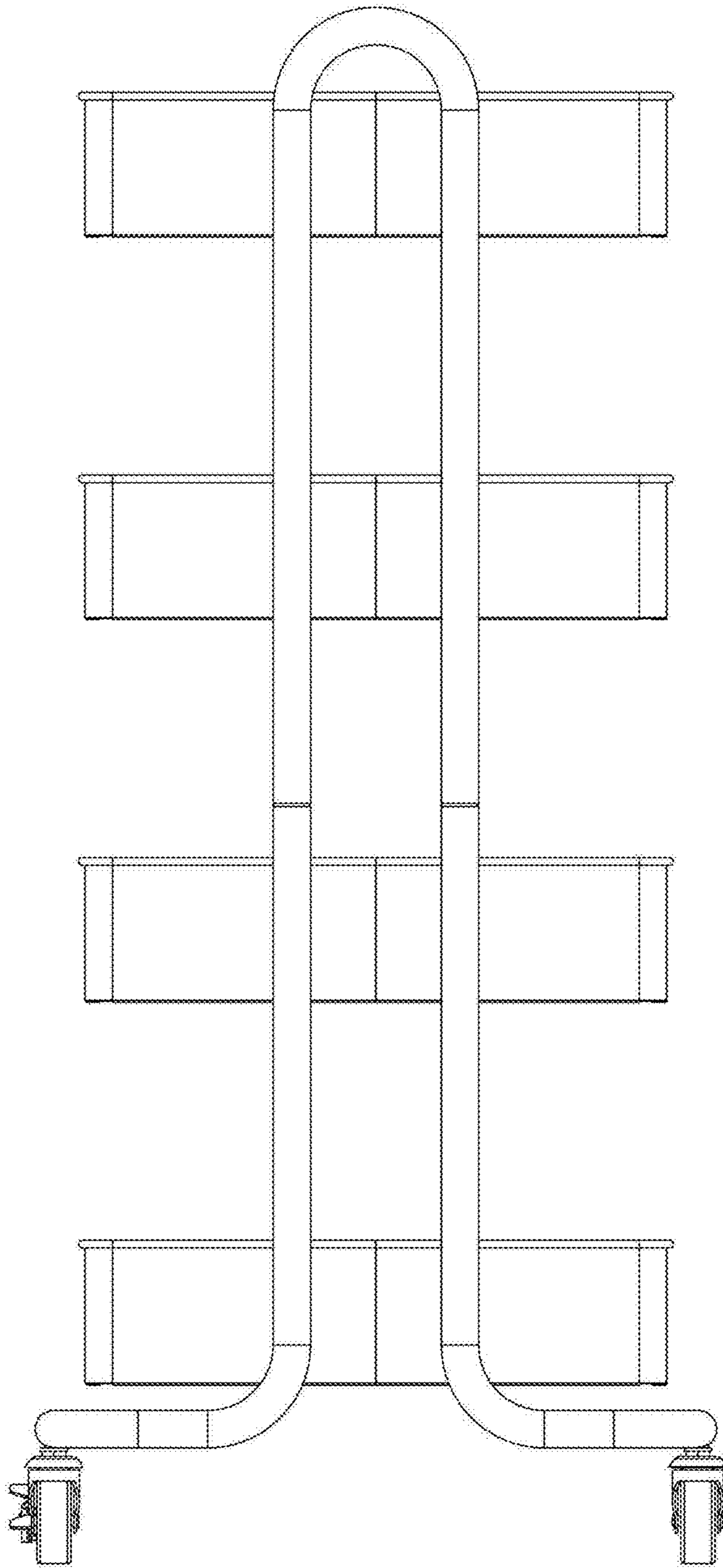


FIG. 17

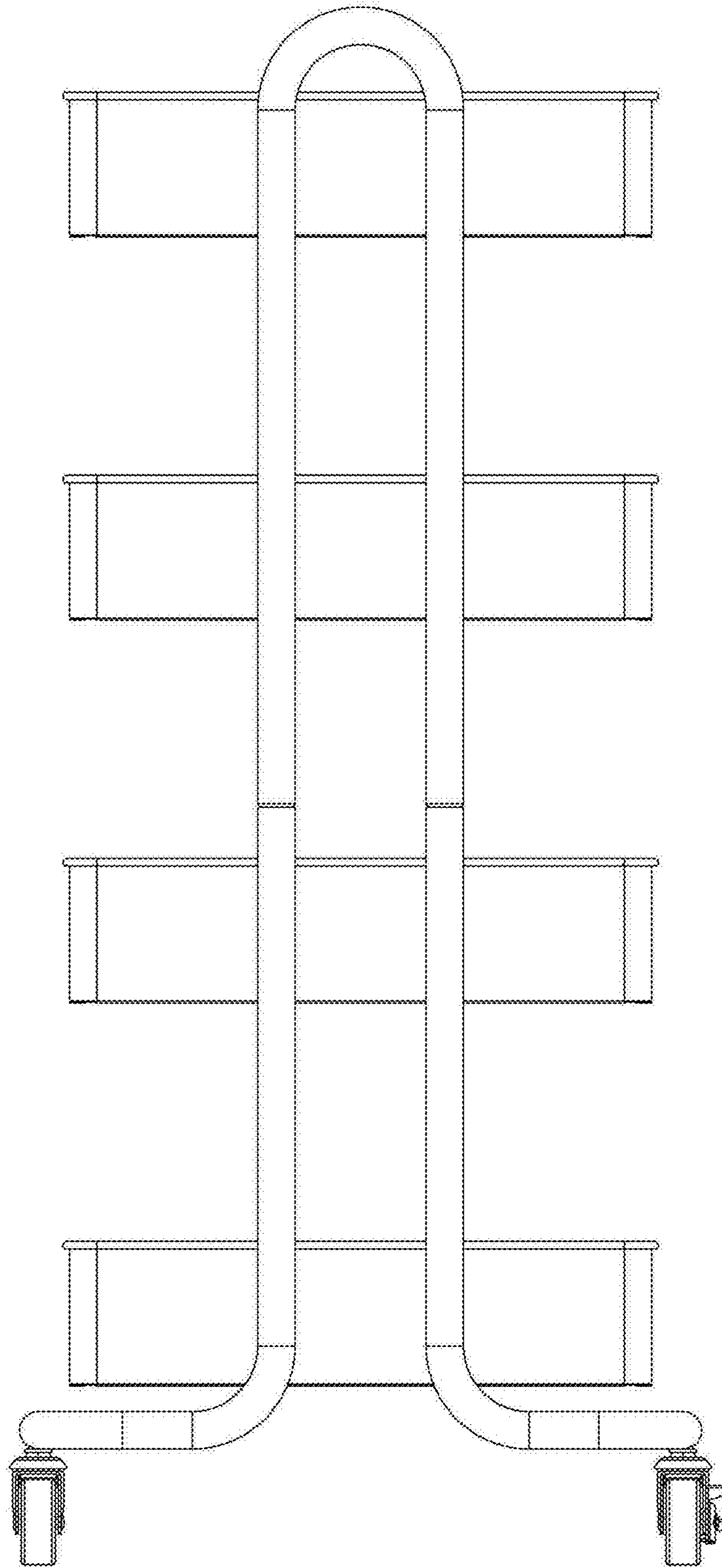


FIG. 18