



US00D852447S

(12) **United States Design Patent** (10) **Patent No.:** **US D852,447 S**
Schenone et al. (45) **Date of Patent:** **** Jun. 25, 2019**

(54) **CART** 7,226,062 B1 * 6/2007 Stefano A63C 17/01
280/87.041
(71) Applicant: **EchoNous, Inc.**, Redmond, WA (US) D585,173 S * 1/2009 Derry D34/17
D585,174 S * 1/2009 Derry D34/17
(72) Inventors: **David J. Schenone**, Lake Oswego, OR D765,337 S * 8/2016 Swinehart D34/23
(US); **Kim Porter Henneman**, Bend, D771,894 S * 11/2016 Roach D34/12
OR (US); **Jeffrey D. Allison**, Lake D810,379 S * 2/2018 Sarian D34/17
Oswego, OR (US) D827,240 S * 8/2018 Hu D34/17
2006/0220334 A1 * 10/2006 Liao B62B 1/002
280/47.34

(73) Assignee: **EchoNous, Inc.**, Redmond, WA (US) * cited by examiner
(**) Term: **15 Years** *Primary Examiner* — Cynthia Ramirez
(21) Appl. No.: **29/624,384** (74) *Attorney, Agent, or Firm* — Seed Intellectual
Property Law Group LLP

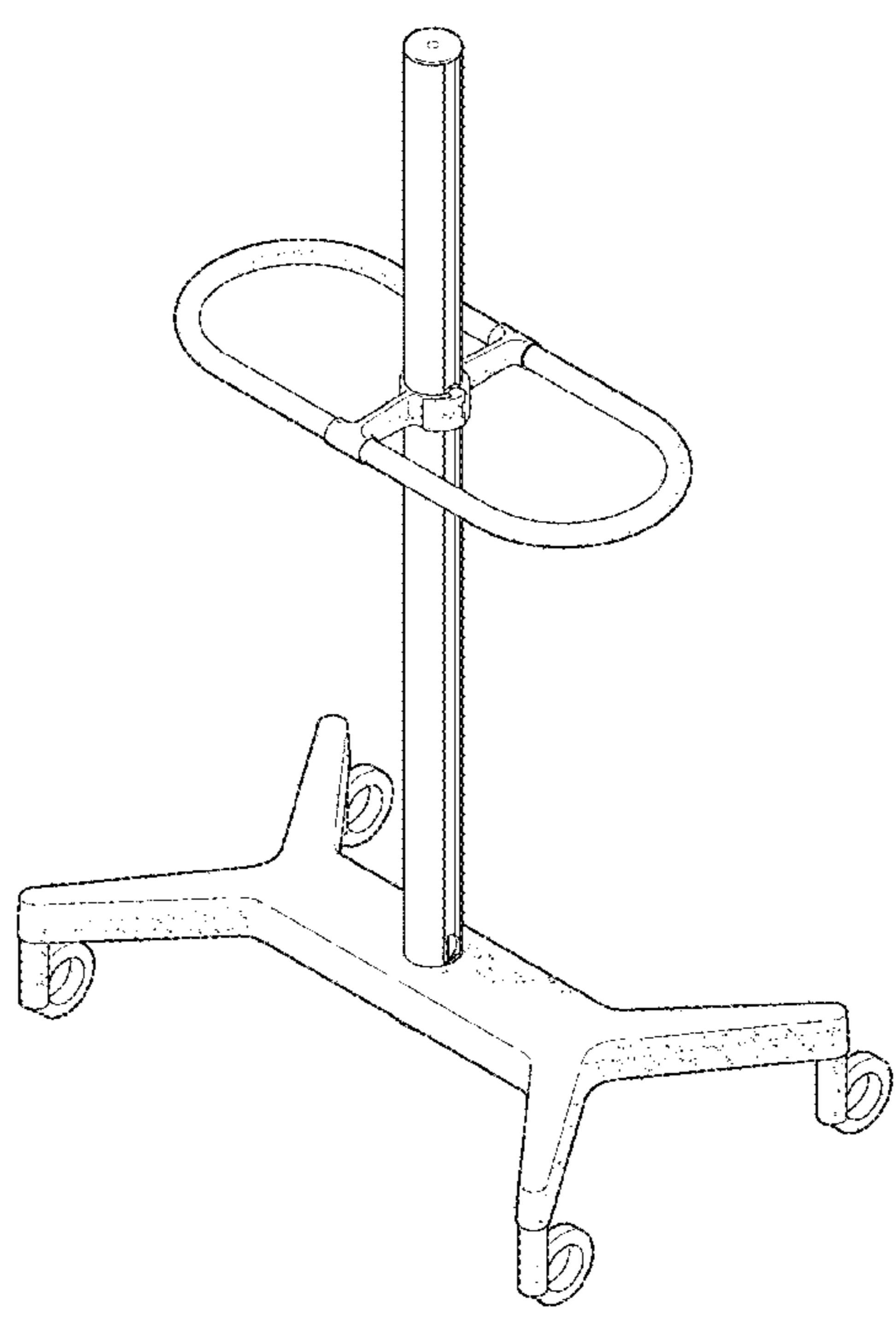
(22) Filed: **Oct. 31, 2017**
(51) **LOC (11) Cl.** **12-02**
(52) **U.S. Cl.**
USPC **D34/12**
(58) **Field of Classification Search**
USPC D34/12, 14, 17
CPC B62B 2202/66; B62B 3/14; B62B 3/00;
B62B 3/002; B62B 3/005; B62B 3/1428;
B62B 3/1444; B62B 3/1416; A61G
12/001
See application file for complete search history.

(56) **References Cited**
U.S. PATENT DOCUMENTS
D302,063 S * 7/1989 Frazier D34/17
D519,258 S * 4/2006 Resfum D34/12

(57) **CLAIM**
The ornamental design for a cart, as shown and described.

DESCRIPTION
FIG. 1 is a top, front right perspective view of a cart showing our new design.
FIG. 2 is a bottom, rear left perspective view thereof.
FIG. 3 is a front elevation view thereof.
FIG. 4 is a right side elevation view thereof.
FIG. 5 is a left side elevation view thereof.
FIG. 6 is a rear elevation view thereof.
FIG. 7 is a top plan view thereof; and,
FIG. 8 is a bottom plan view thereof.
The broken lines in the figures illustrate environment and form no part of the claimed design.

1 Claim, 7 Drawing Sheets



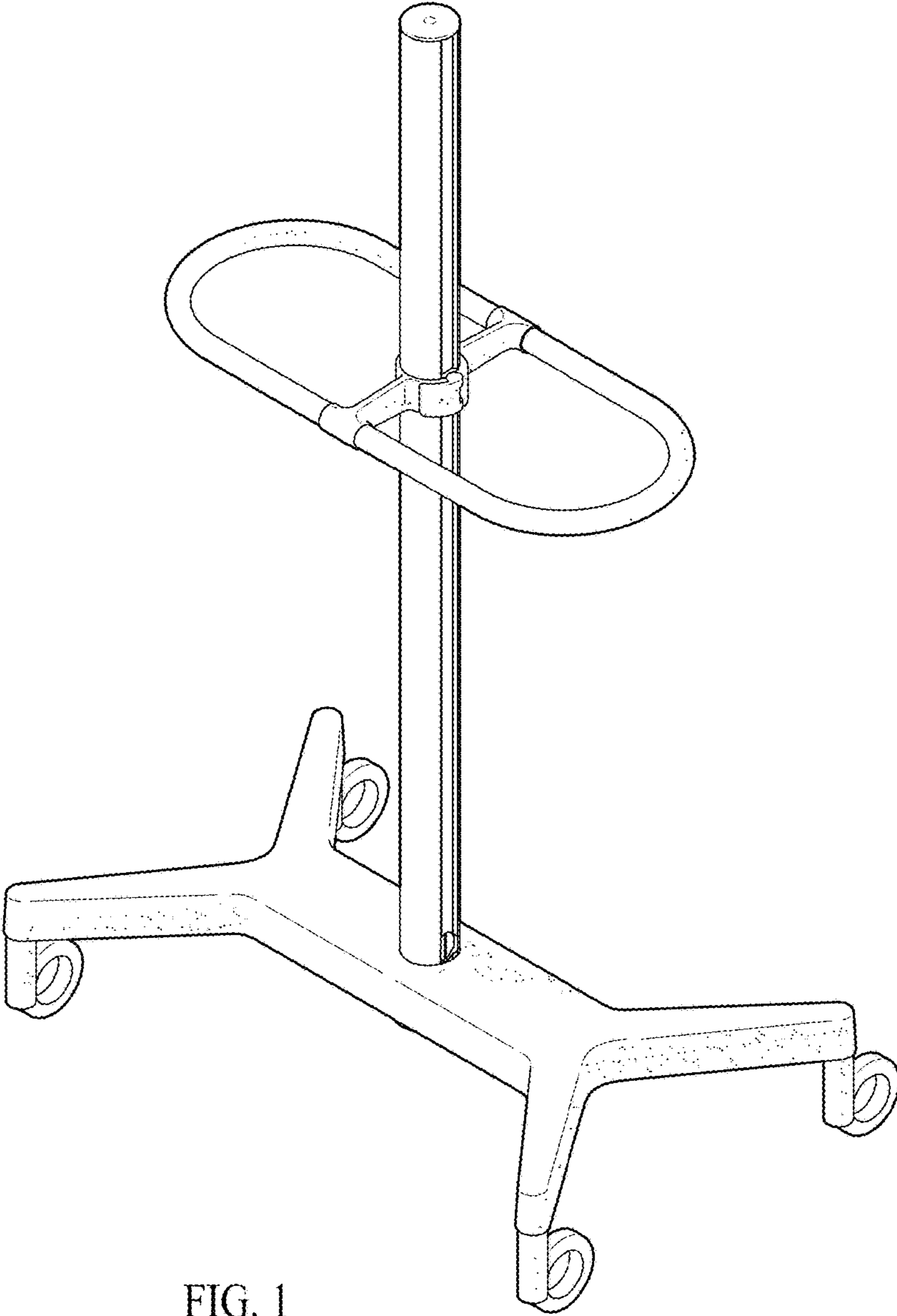


FIG. 1

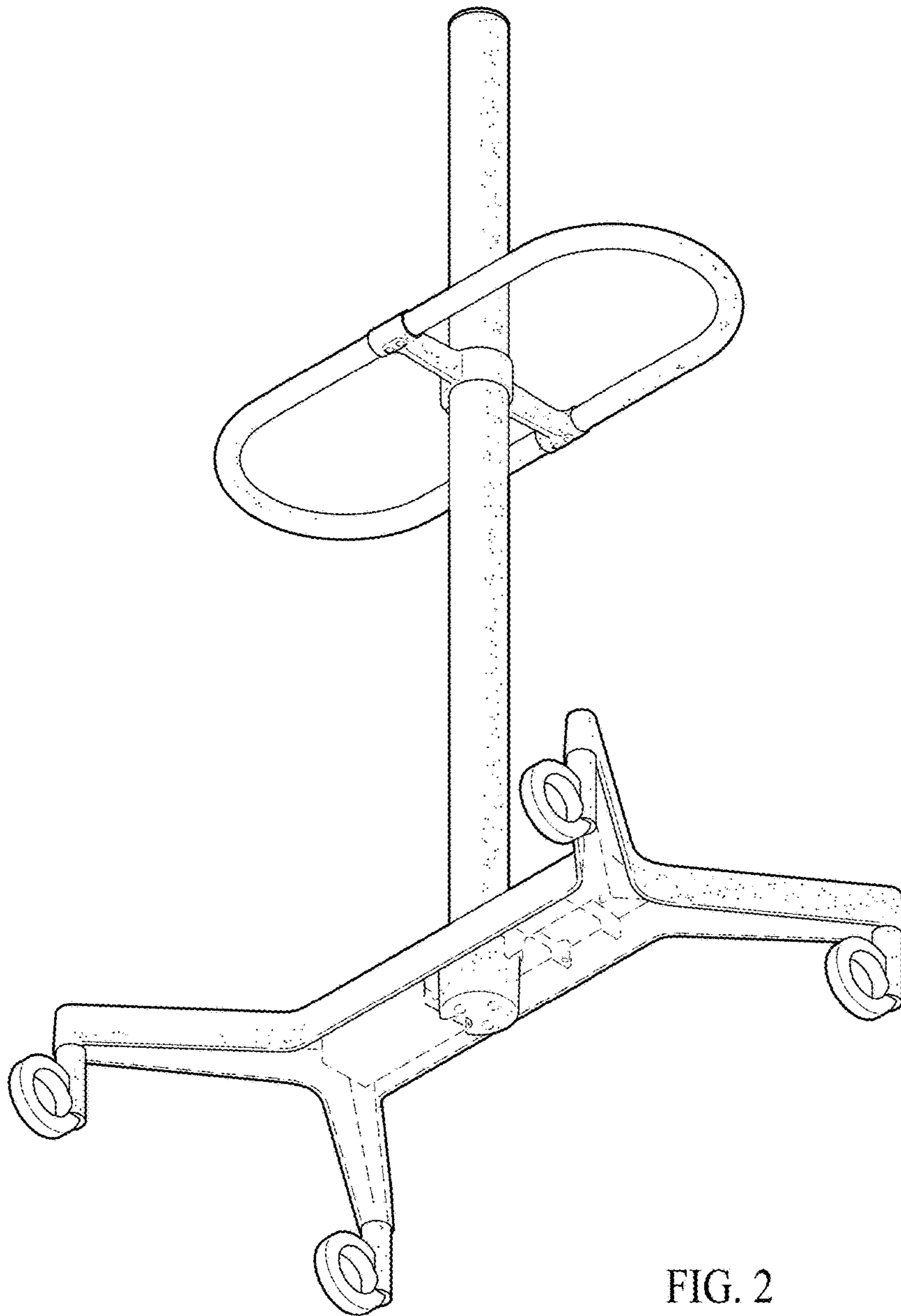


FIG. 2

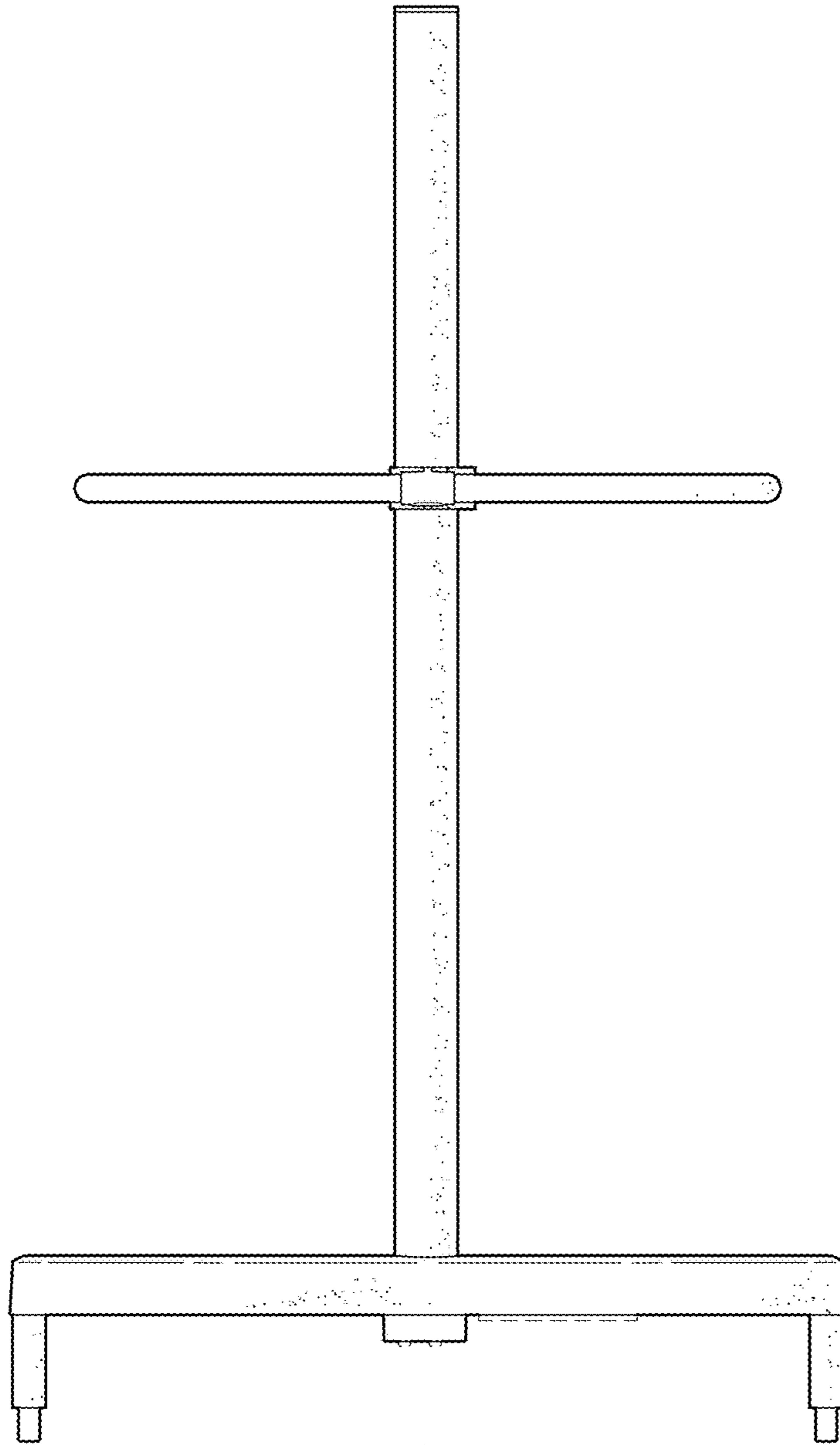


FIG. 3

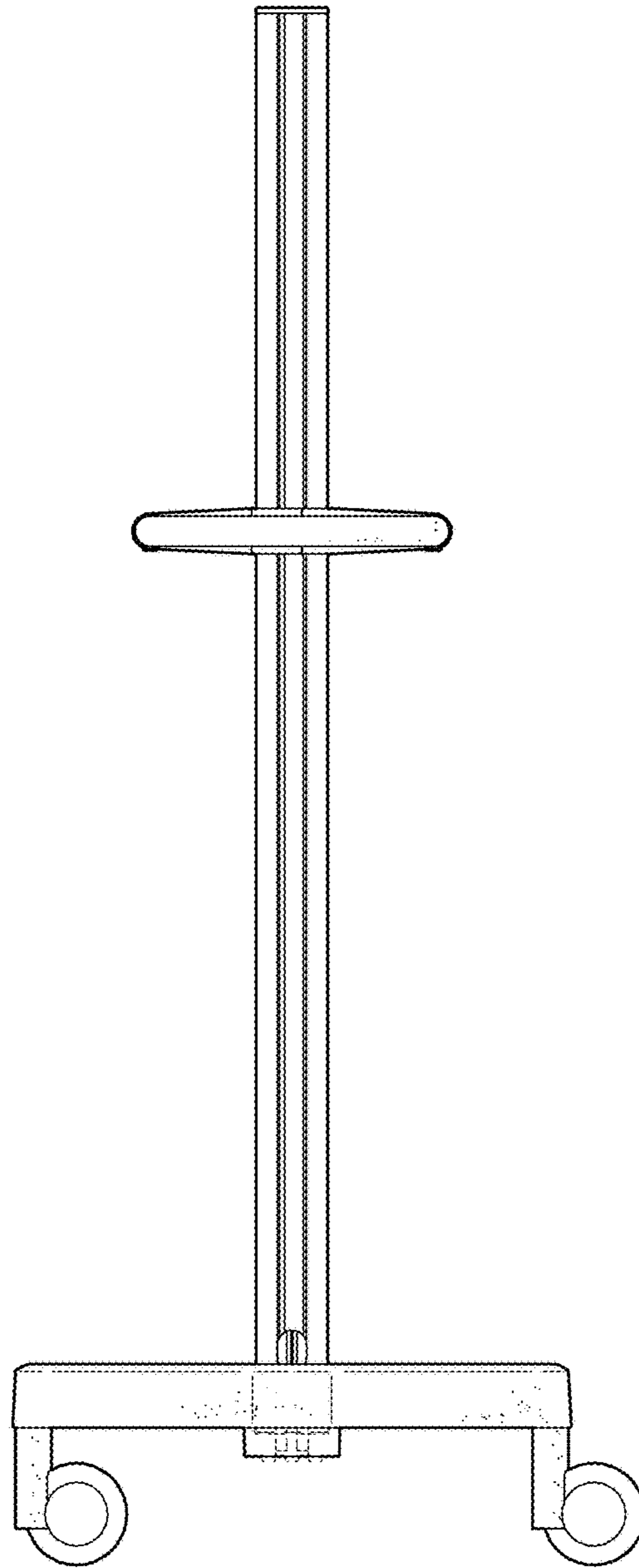


FIG. 4

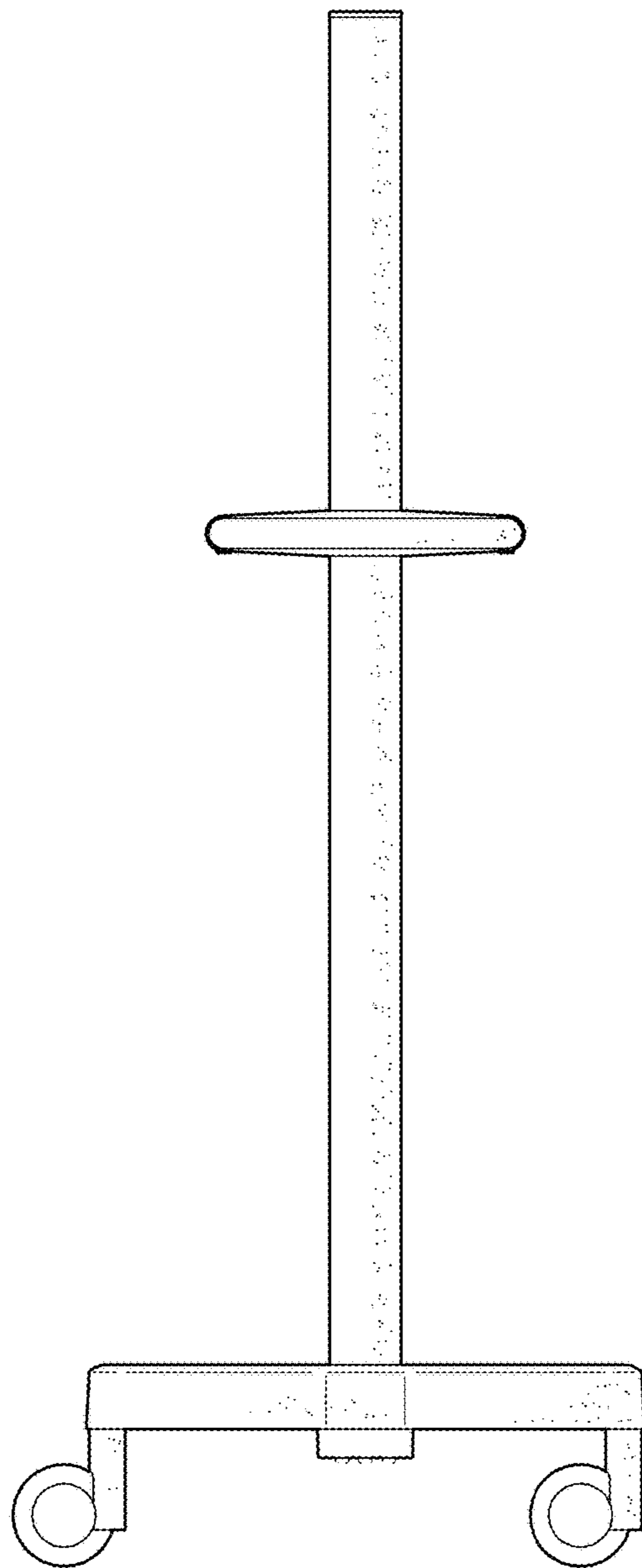


FIG. 5

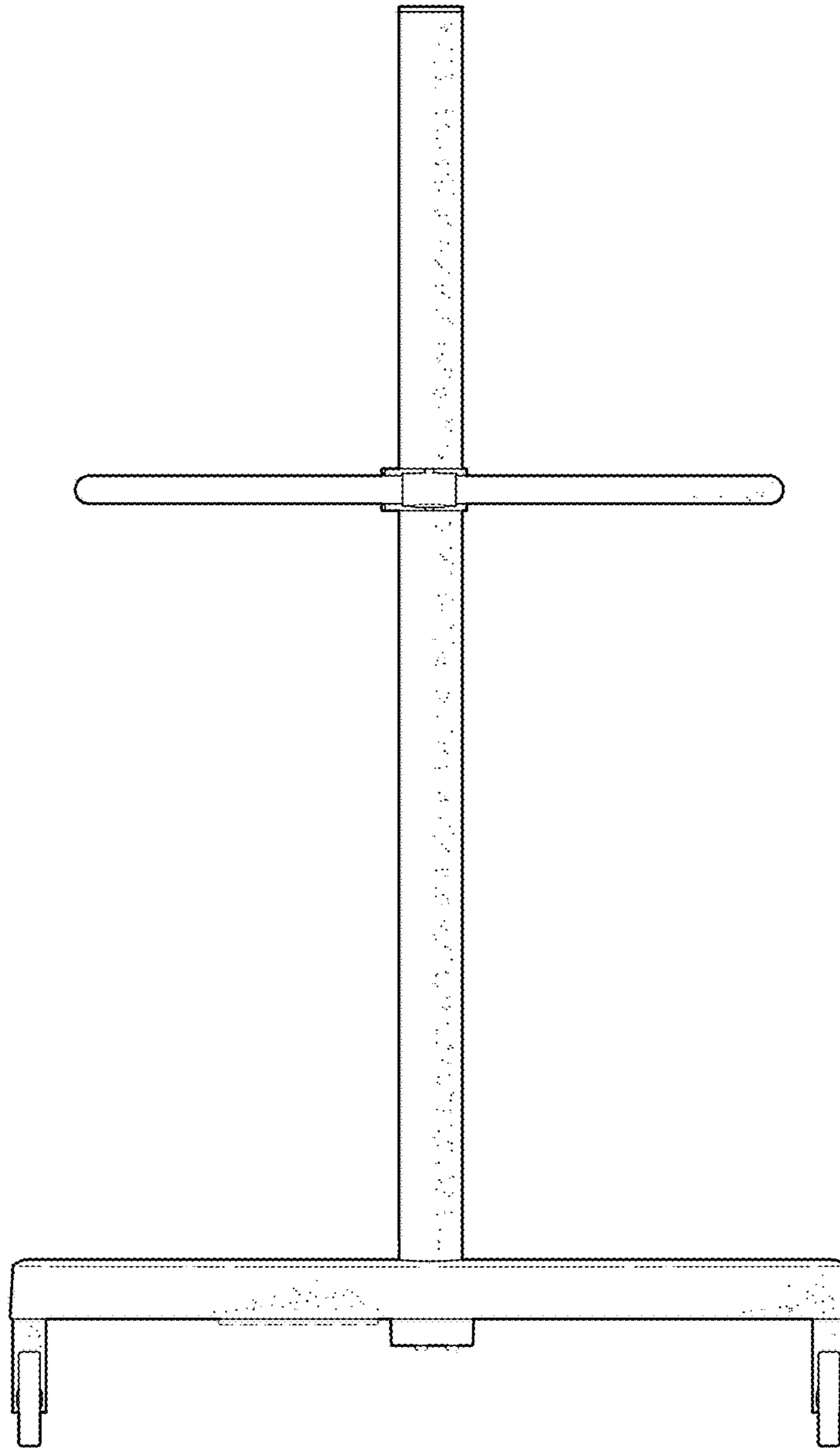


FIG. 6

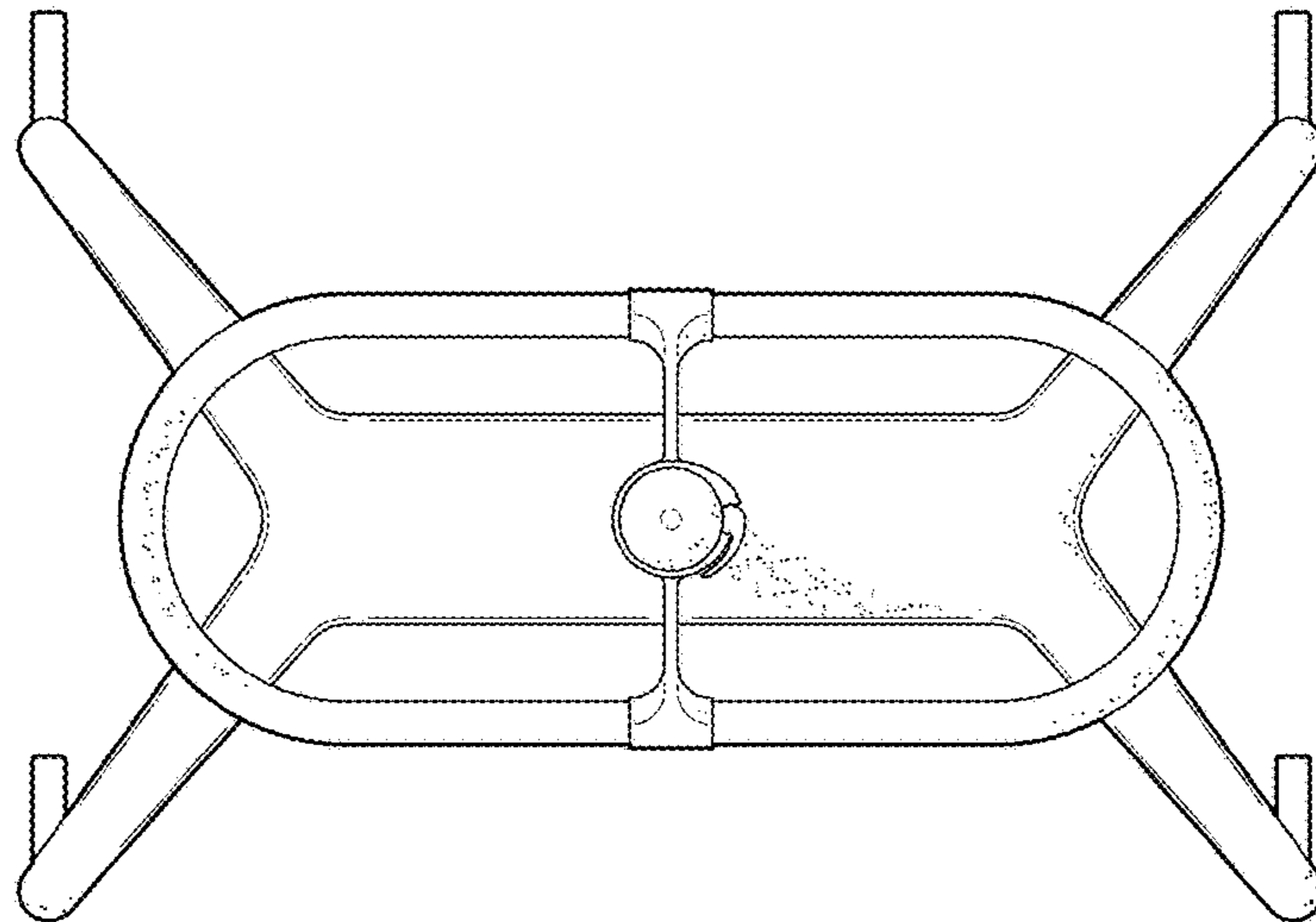


FIG. 7

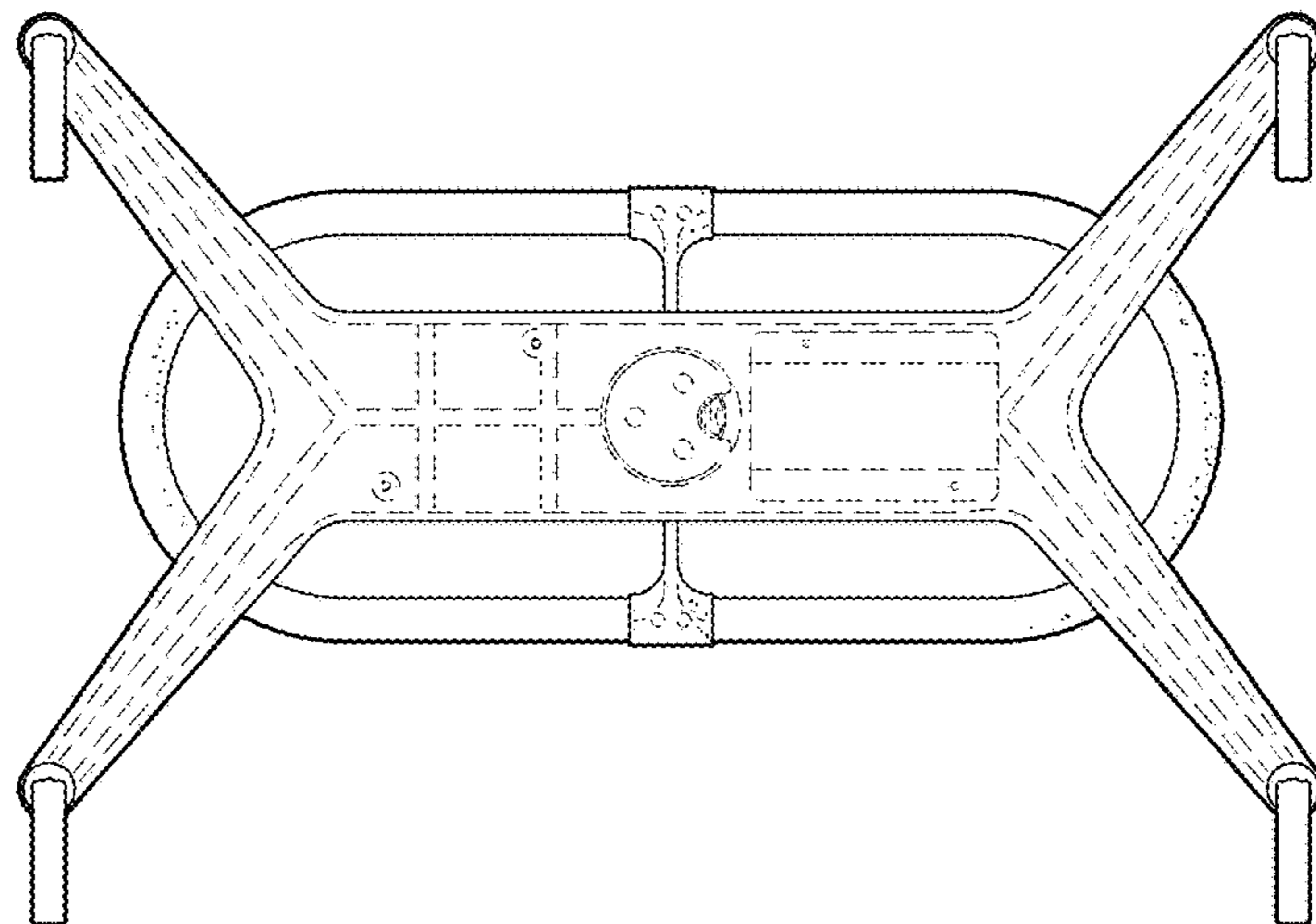


FIG. 8