



US00D852446S

(12) **United States Design Patent**
Sanduri Cohen

(10) **Patent No.:** **US D852,446 S**
(45) **Date of Patent:** **** Jun. 25, 2019**

- (54) **DRYING RACK**
- (71) Applicant: **BLUSHES**, Givat Zeev (IL)
- (72) Inventor: **Sivan Sanduri Cohen**, Givat Zeev (IL)
- (73) Assignee: **Blushes**, Givat Zeev (IL)
- (**) Term: **15 Years**

D670,058 S *	10/2012	Cooper	D32/58
D706,009 S *	5/2014	Cooper	D32/55
D718,511 S *	11/2014	Ouyang	D32/58
D732,256 S *	6/2015	Huang	D32/55
D776,385 S *	1/2017	Evans	D32/55
D787,769 S *	5/2017	Evans	D32/55
D799,133 S *	10/2017	Wong	D32/55
D814,730 S *	4/2018	Cooper	D32/55

* cited by examiner

(21) Appl. No.: **29/674,448**

Primary Examiner — Austin Murphy

(22) Filed: **Dec. 21, 2018**

(74) *Attorney, Agent, or Firm* — Quarles & Brady LLP

(51) **LOC (11) Cl.** **07-05**

(57) **CLAIM**

(52) **U.S. Cl.**
USPC **D32/55**

The ornamental design for a drying rack, as shown.

(58) **Field of Classification Search**
USPC D32/585, 276, 3; D6/510, 525;
D30/133; 211/41.5, 41.4, 41.3, 41.8;
312/311, 333, 334.4; D7/354, 629
CPC .. A47L 15/505; A47L 15/503; A47L 15/0013;
A47L 19/02; A47L 19/04; A47J 47/20
See application file for complete search history.

DESCRIPTION

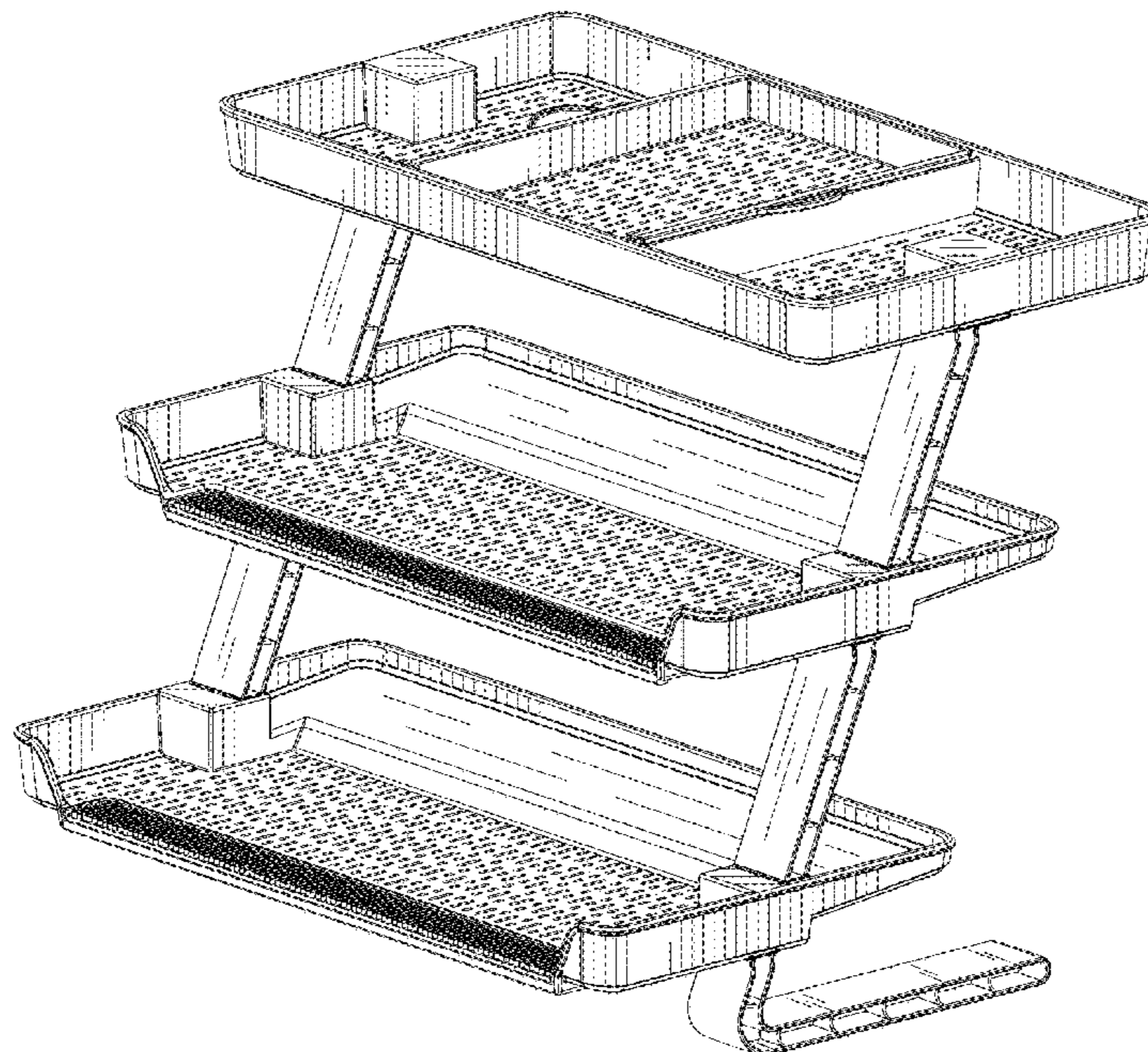
FIG. 1 is a top, right, and front perspective view of an ornamental design for a drying rack;
 FIG. 2 is a bottom, right, and front perspective view of the drying rack of FIG. 1;
 FIG. 3 is a front elevational view of the drying rack of FIG. 1;
 FIG. 4 is a rear elevational view of the drying rack of FIG. 1;
 FIG. 5 is a left side elevational view of the drying rack of FIG. 1;
 FIG. 6 is a right side elevational view of the drying rack of FIG. 1;
 FIG. 7 is a top plan view of the drying rack of FIG. 1; and,
 FIG. 8 is a bottom plan view of the drying rack of FIG. 1.

(56) **References Cited**

U.S. PATENT DOCUMENTS

2,624,469 A *	1/1953	Adamson	A47B 3/02
				108/116
D429,863 S *	8/2000	Lenney	D32/55
D481,233 S *	10/2003	Post	D6/675.1
D532,948 S *	11/2006	Gillisie	D32/55
D564,165 S *	3/2008	King	D32/58
8,015,727 B2 *	9/2011	Lee	D06F 58/04
				156/111

1 Claim, 8 Drawing Sheets



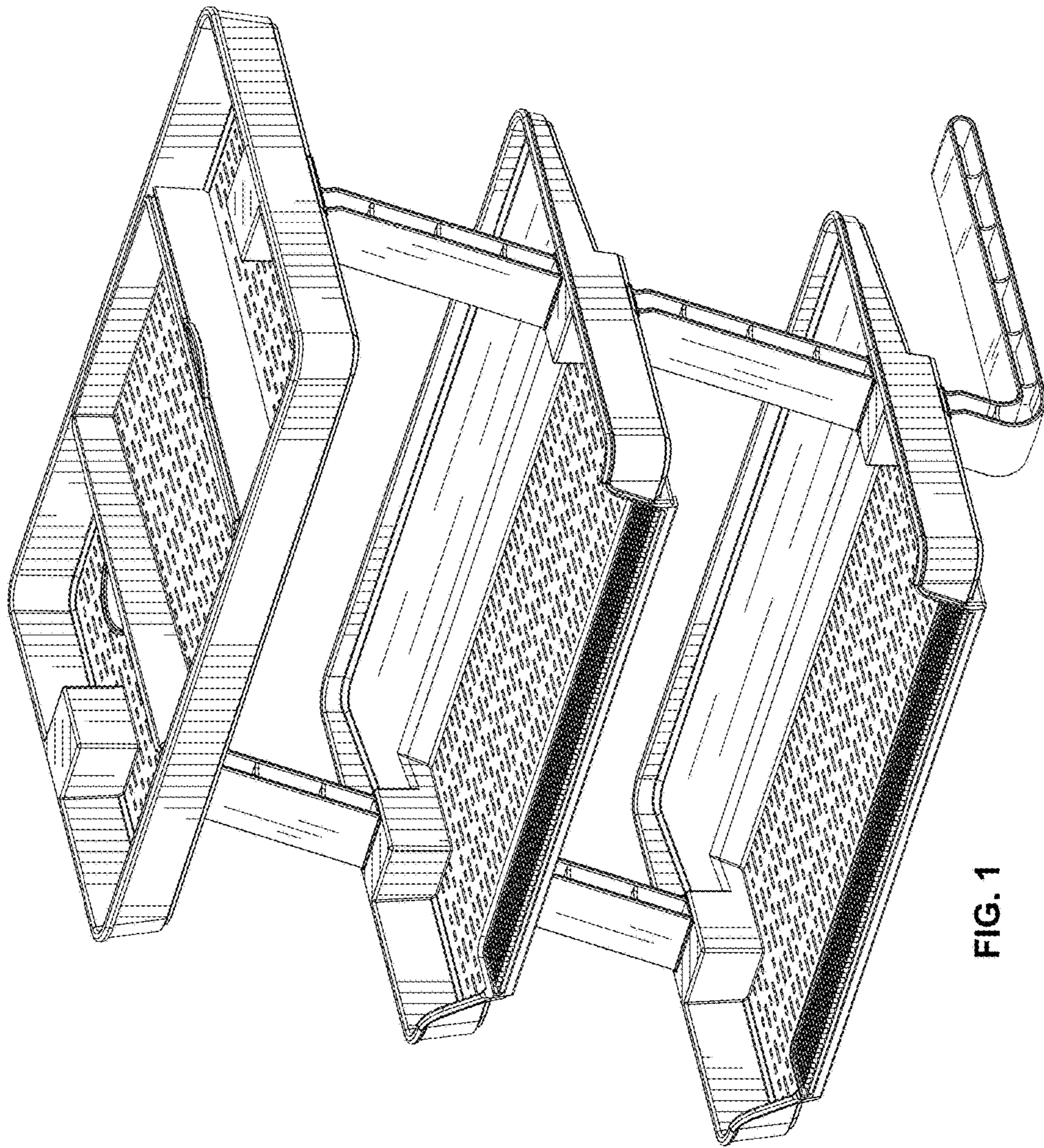


FIG. 1

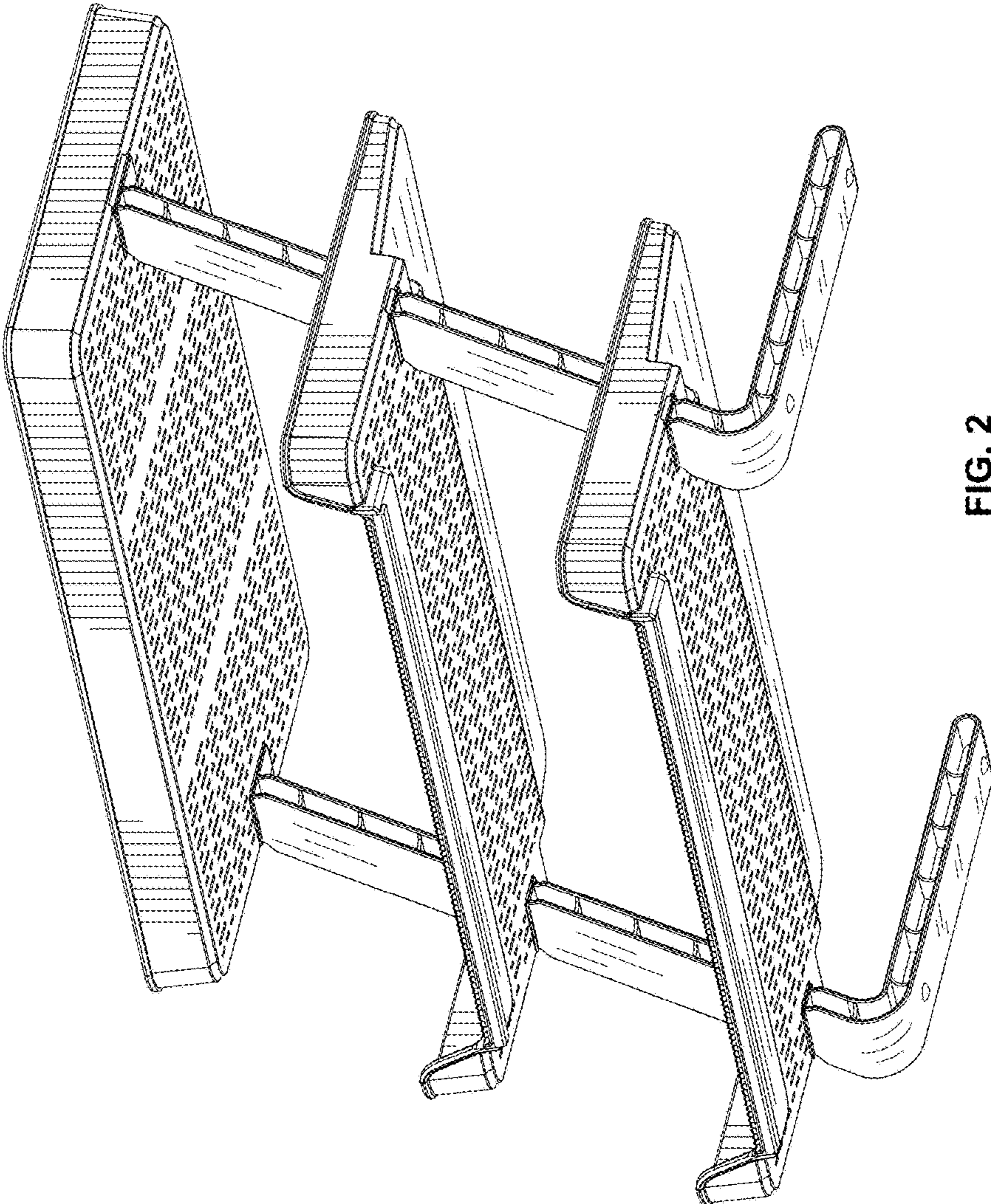


FIG. 2

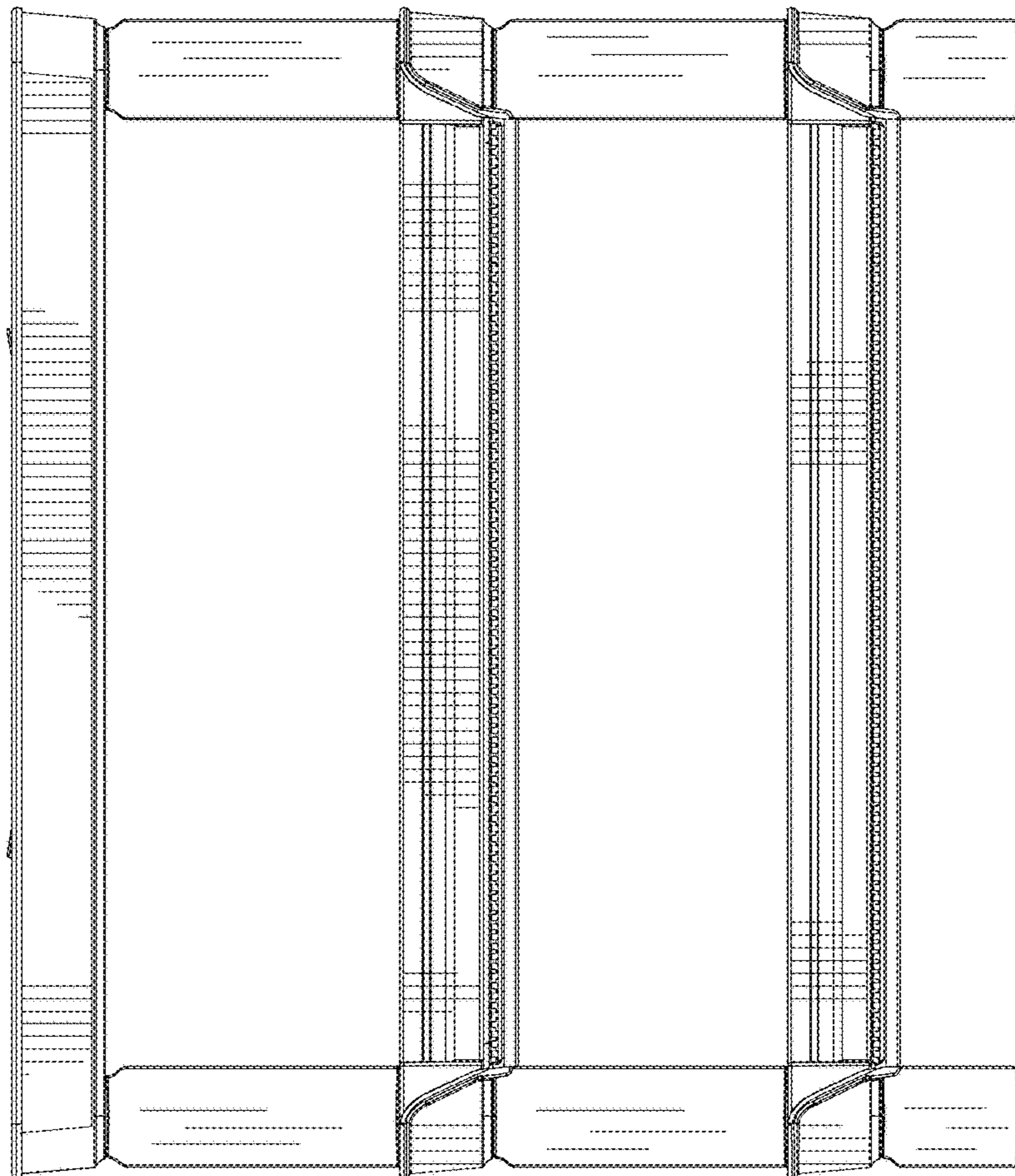


FIG. 3

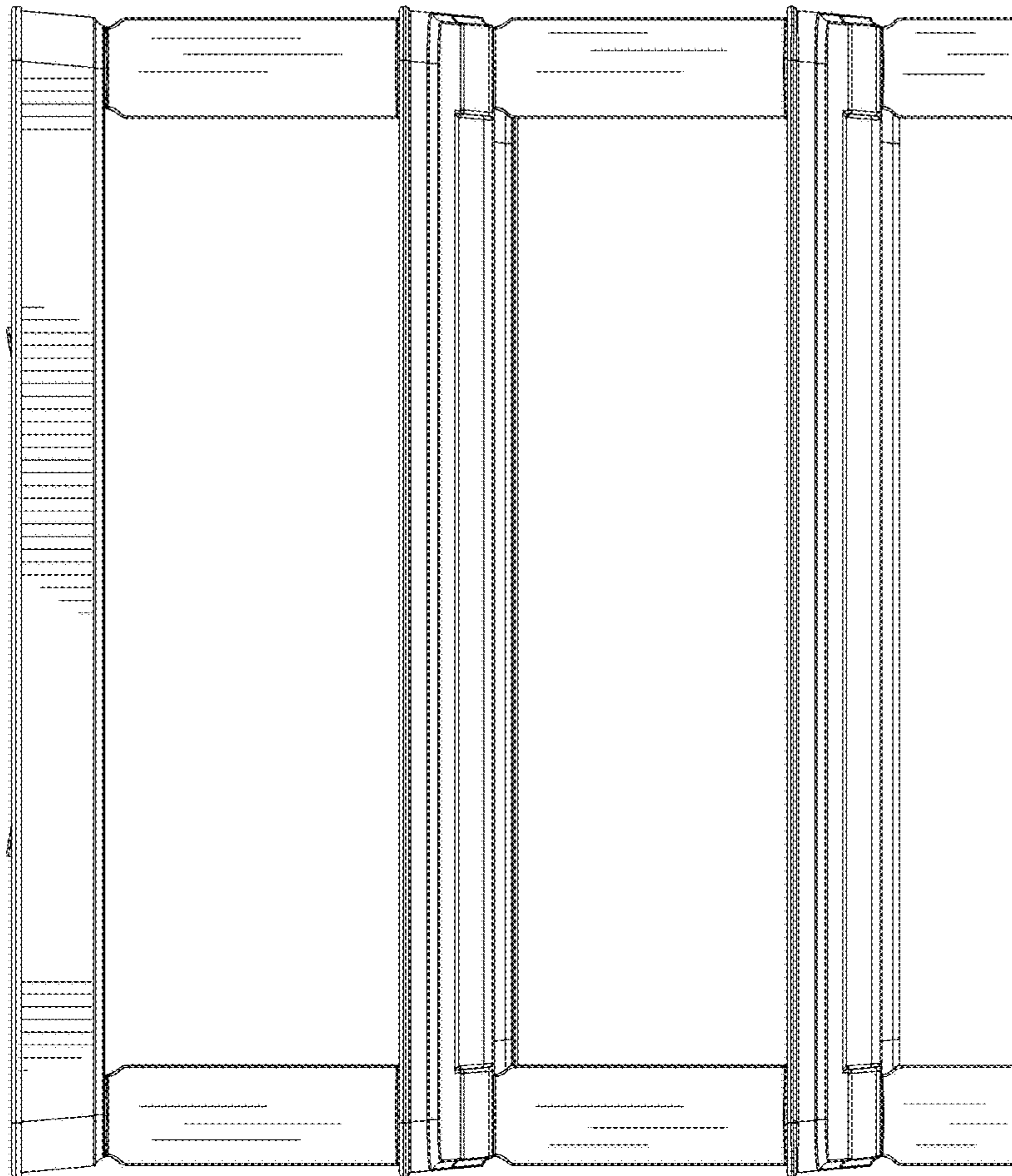


FIG. 4

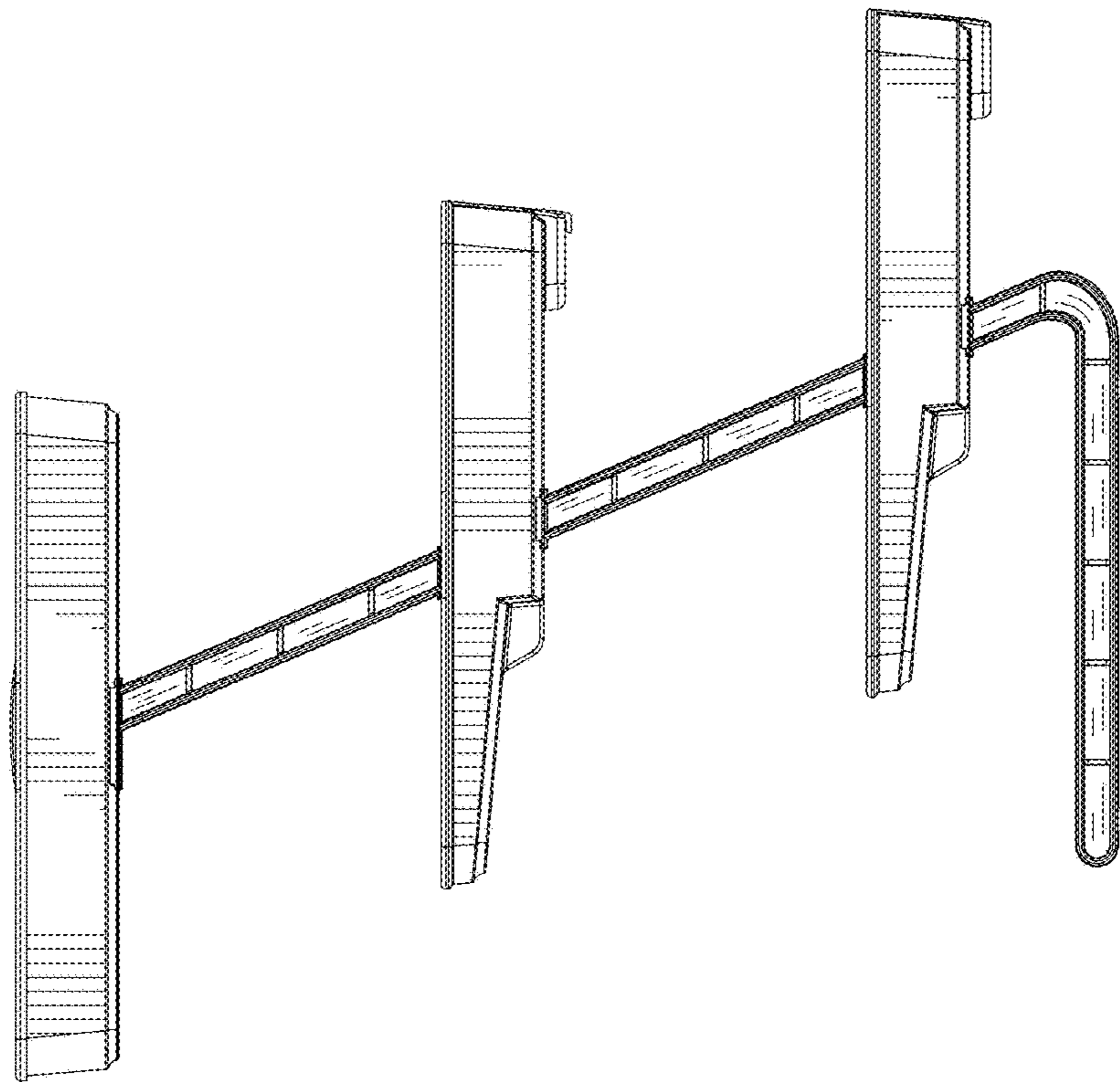


FIG. 5

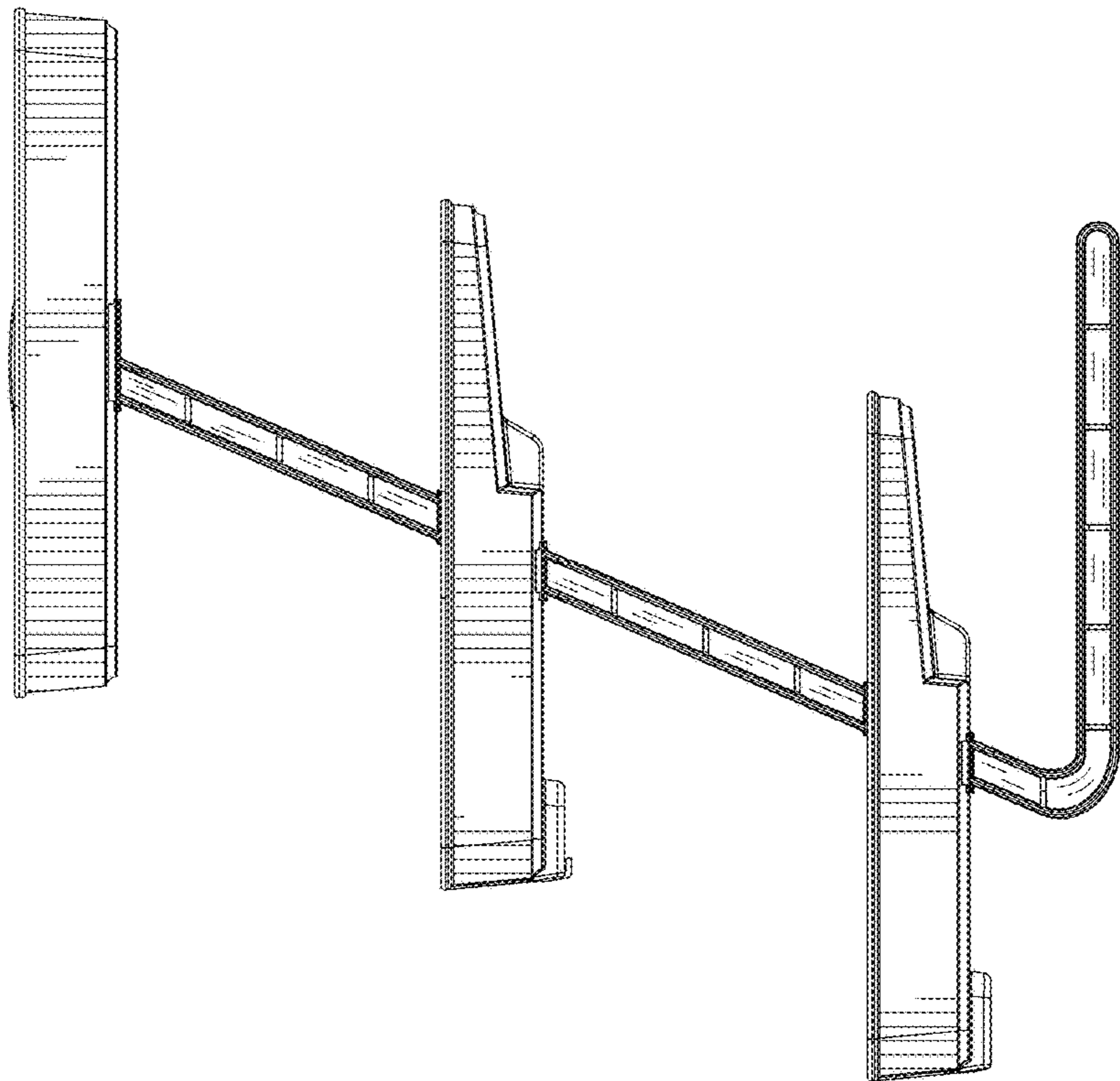


FIG. 6

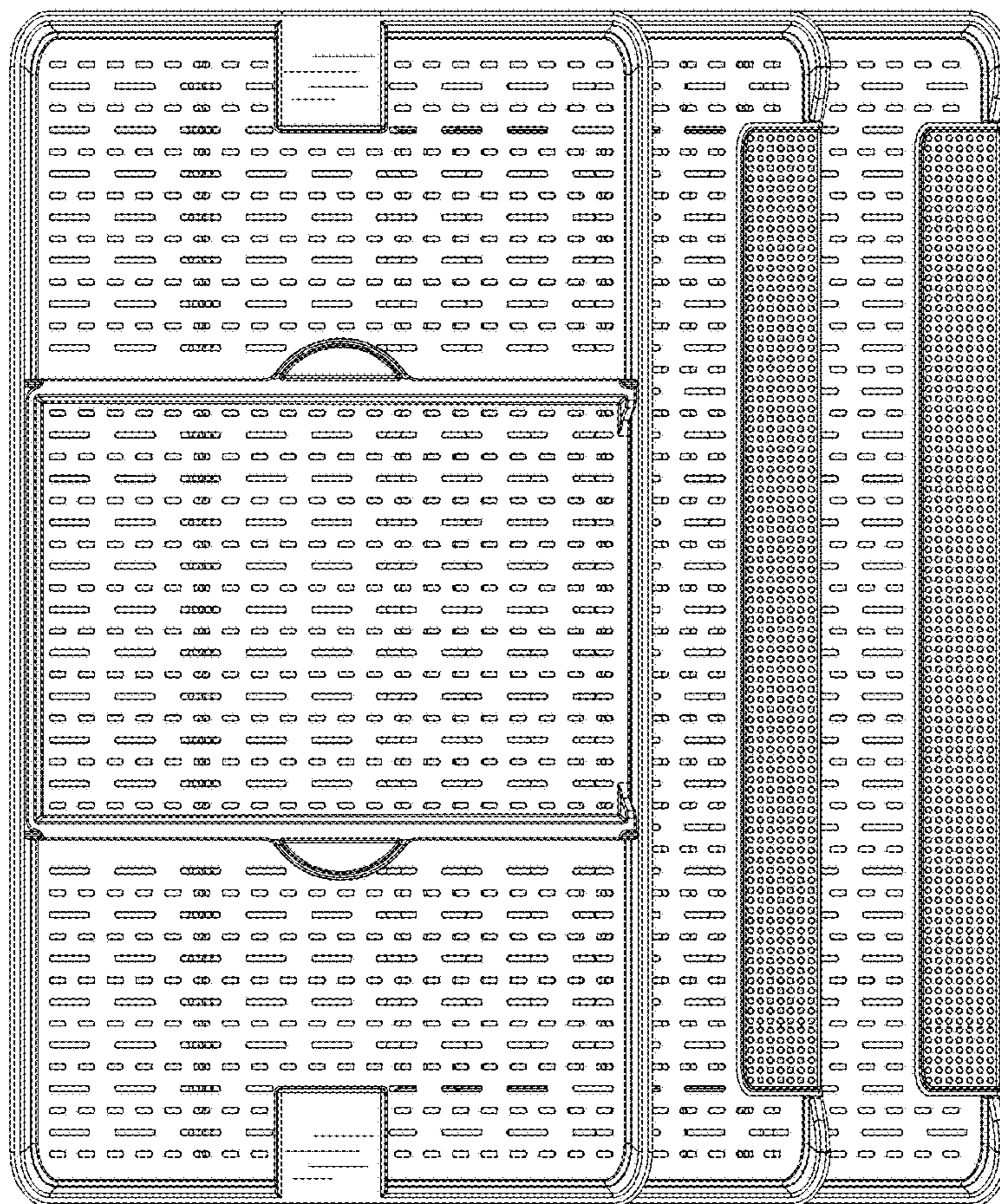


FIG. 7

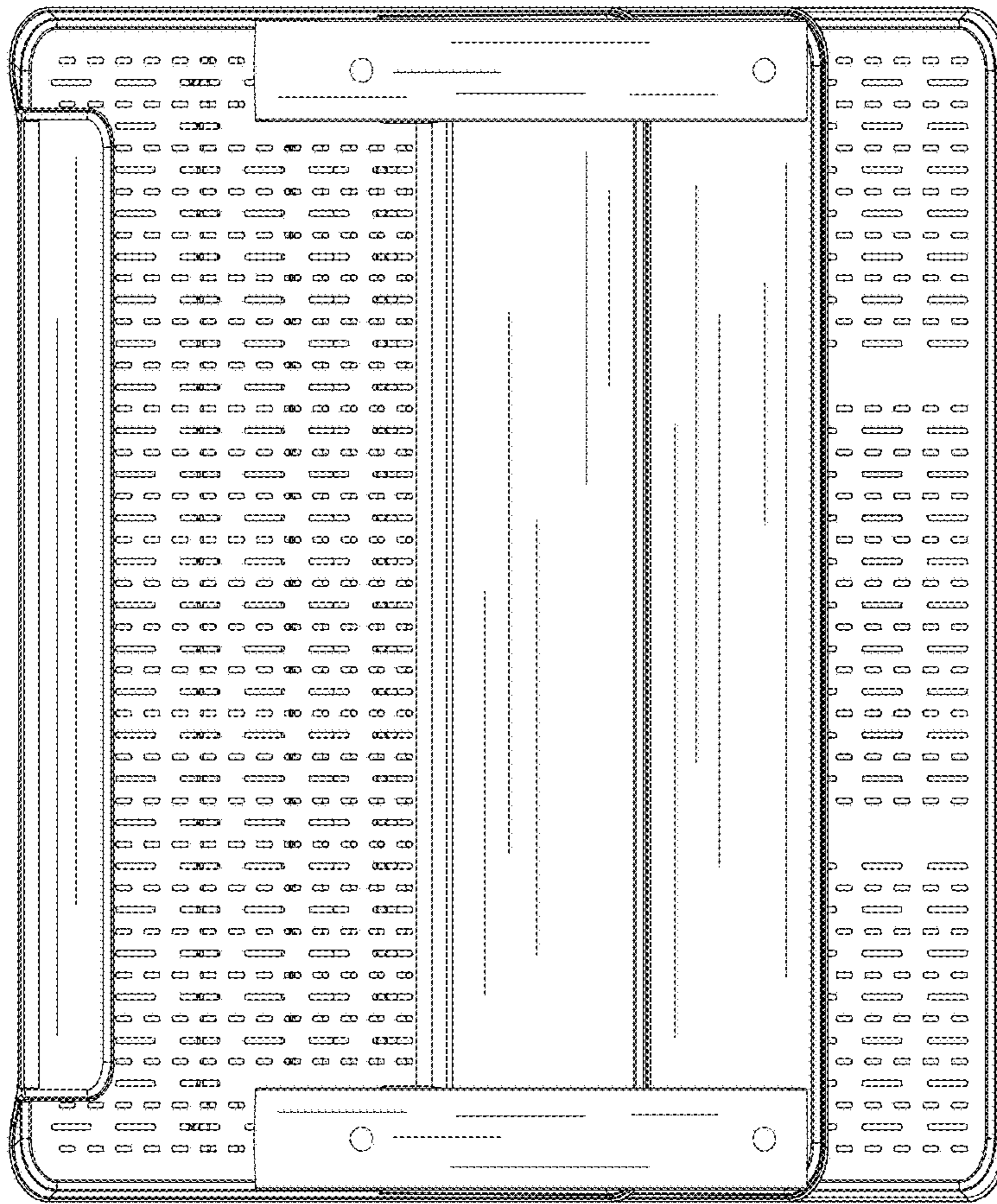


FIG. 8