



US00D852443S

(12) **United States Design Patent**  
**Martin et al.**

(10) **Patent No.:** **US D852,443 S**  
(45) **Date of Patent:** **\*\* Jun. 25, 2019**

- (54) **VACUUM CLEANER ATTACHMENT**
- (71) Applicant: **SHOP VAC CORPORATION**,  
Williamsport, PA (US)
- (72) Inventors: **Jason Lee Martin**, Hallstead, PA (US);  
**Michael Z. Yurko**, Endicott, NY (US);  
**Neil N. Norell**, Candor, NY (US)
- (73) Assignee: **SHOP VAC CORPORATION**,  
Williamsport, PA (US)
- (\*\*) Term: **15 Years**
- (21) Appl. No.: **29/648,098**
- (22) Filed: **May 18, 2018**

**Related U.S. Application Data**

- (63) Continuation-in-part of application No. 29/595,709,  
filed on Mar. 1, 2017.
- (51) **LOC (11) Cl.** ..... **15-05**
- (52) **U.S. Cl.**  
USPC ..... **D32/33**
- (58) **Field of Classification Search**  
USPC ..... D32/17, 31-33, 25  
CPC ... A47L 9/02; A47L 9/242; A47L 9/24; A47L  
9/06; A47L 11/4044; A47L 5/34; A47L  
5/362; A47L 5/36; A47L 5/14  
See application file for complete search history.

**References Cited**

**U.S. PATENT DOCUMENTS**

D239,243 S	3/1976	Hachtmann	
D296,372 S *	6/1988	Toney	D32/32
D479,636 S *	9/2003	Kitts	D32/32
D621,112 S *	8/2010	Benacquisto	D32/33
D674,978 S *	1/2013	Hill	D32/32

8,402,602 B2 *	3/2013	Jonsson	A47L 9/068 15/400
D701,011 S *	3/2014	Miller	D32/32
D742,606 S *	11/2015	Carr	D32/32
D789,634 S *	6/2017	Witter	D32/32
D793,638 S *	8/2017	LaBarbera	D32/32

\* cited by examiner

*Primary Examiner* — Ruth McInroy

(74) *Attorney, Agent, or Firm* — Marshall, Gerstein &  
Borun LLP

(57) **CLAIM**

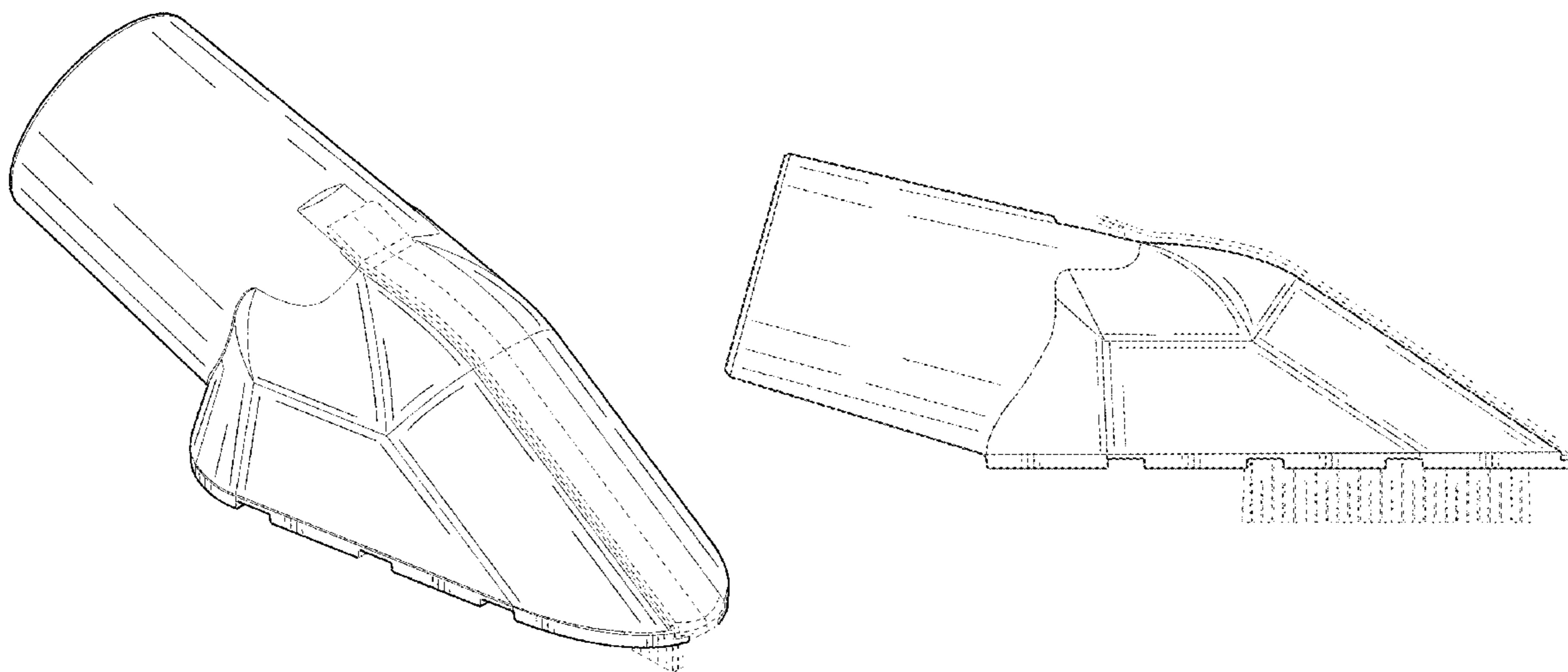
The ornamental design for a vacuum cleaner attachment, as  
shown and described.

**DESCRIPTION**

FIG. 1 is a top, front and left-side perspective view of a vacuum cleaner attachment showing our new design;  
FIG. 2 is a bottom, front and left-side perspective view thereof;  
FIG. 3 is a top view thereof;  
FIG. 4 is a left-side view thereof, the right-side being a mirror image;  
FIG. 5 is a bottom view thereof;  
FIG. 6 is a front view thereof;  
FIG. 7 is a rear view thereof;  
FIG. 8 is a top, front and left-side perspective view thereof; showing a different attachment in broken lines;  
FIG. 9 is a bottom, front and left-side perspective view of FIG. 8;  
FIG. 10 is a top, front and left-side perspective view thereof; showing another unclaimed attachment in broken lines; and,  
FIG. 11 is a bottom, front and left-side perspective view of FIG. 10.

The broken lines depict portions of the vacuum cleaner attachment that form no part of the claimed design.

**1 Claim, 7 Drawing Sheets**



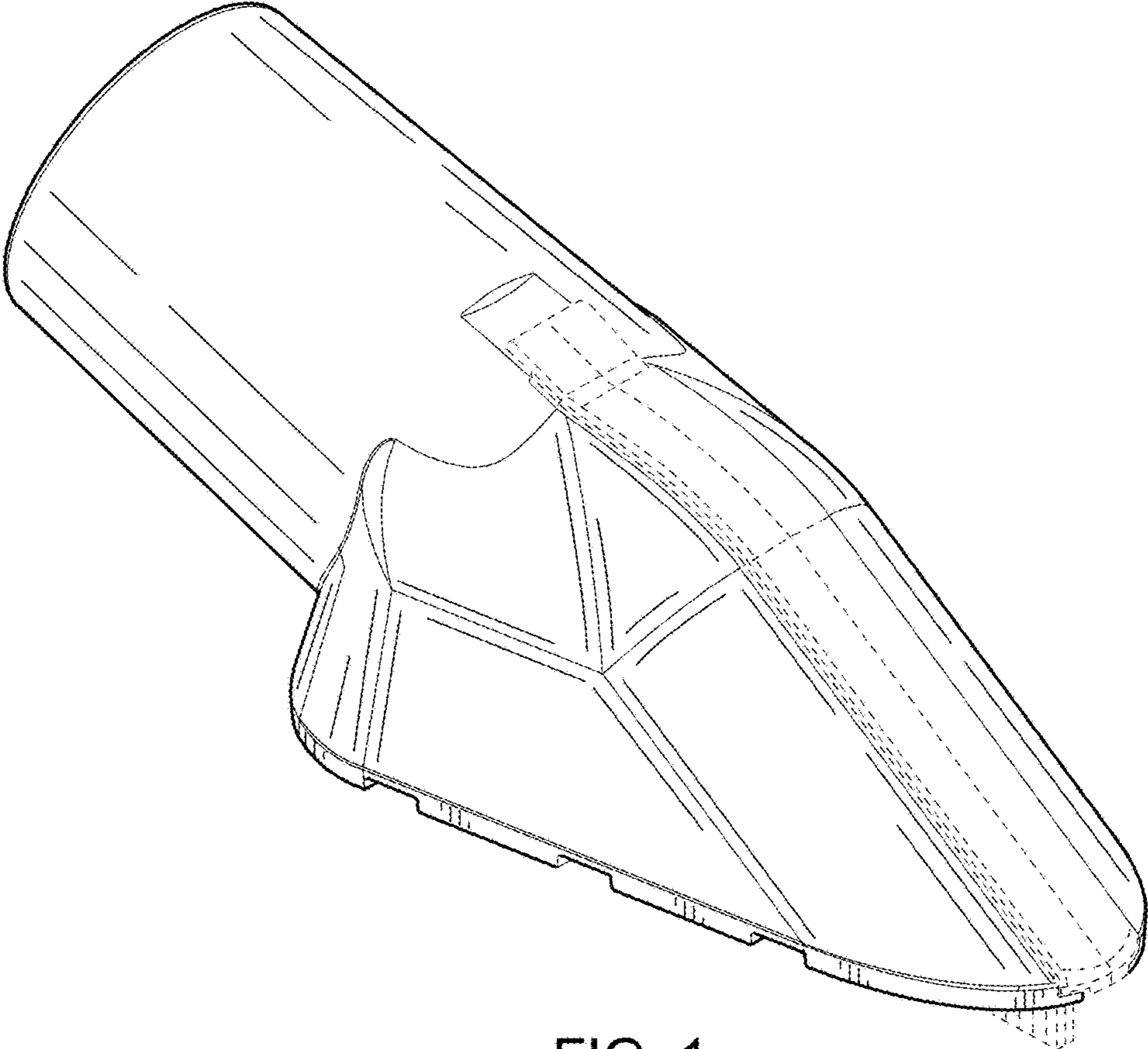


FIG. 1

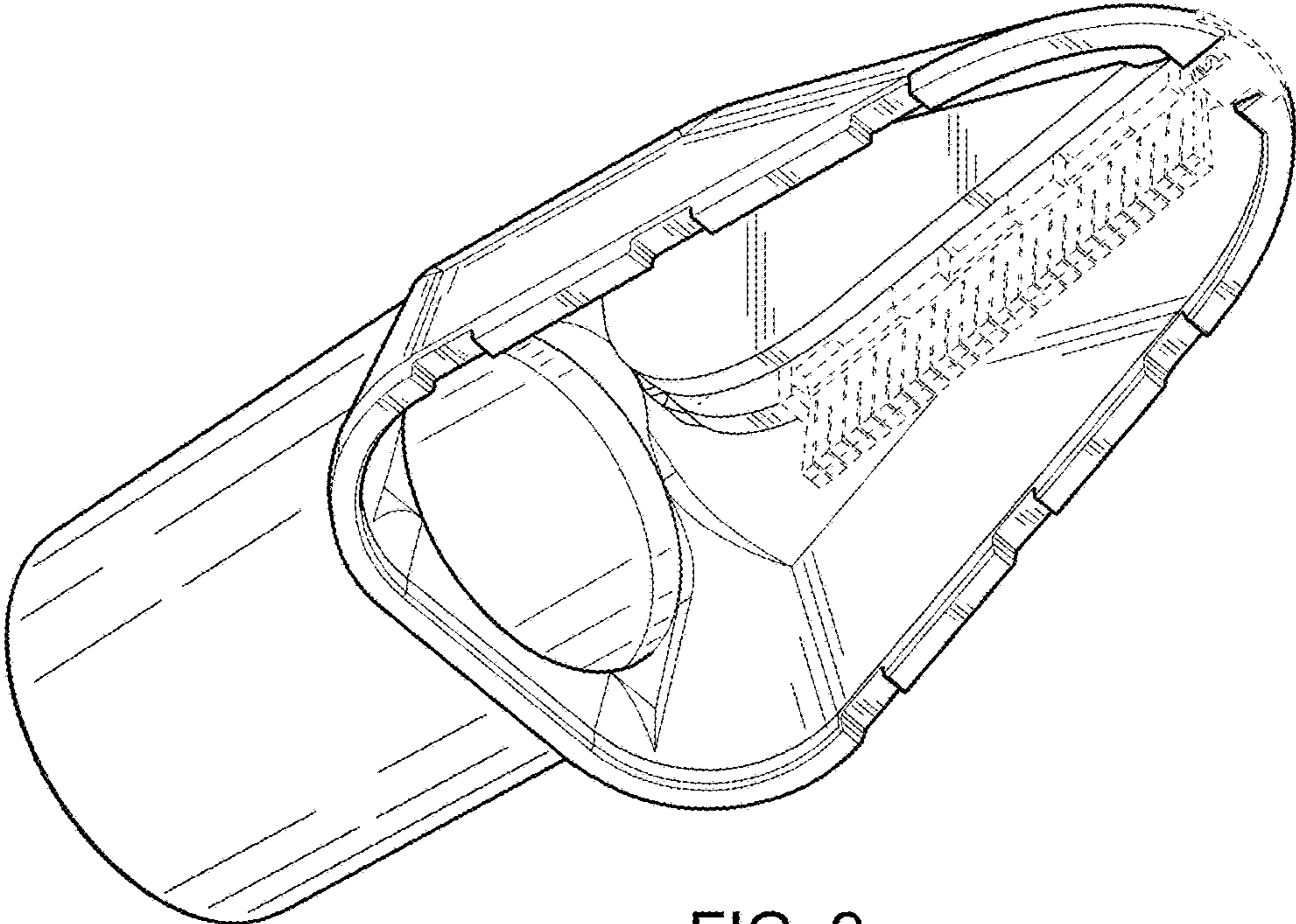


FIG. 2

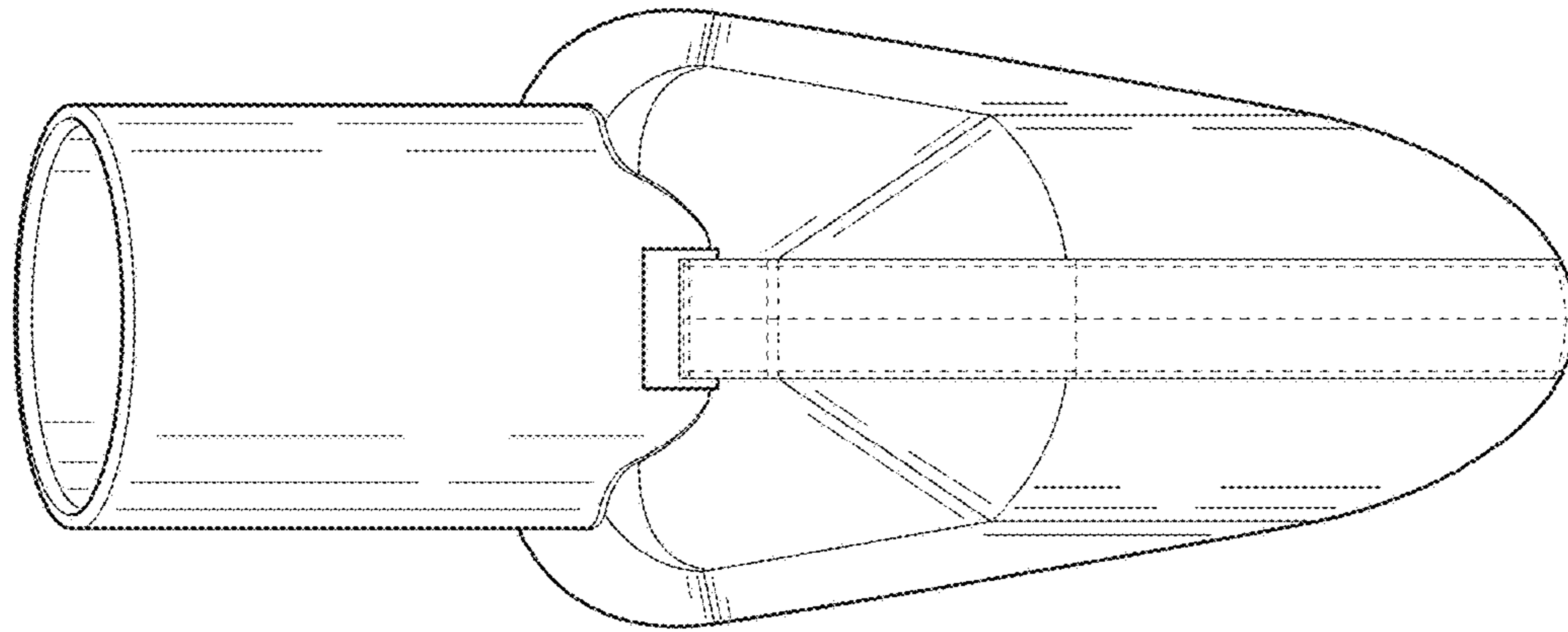


FIG. 3

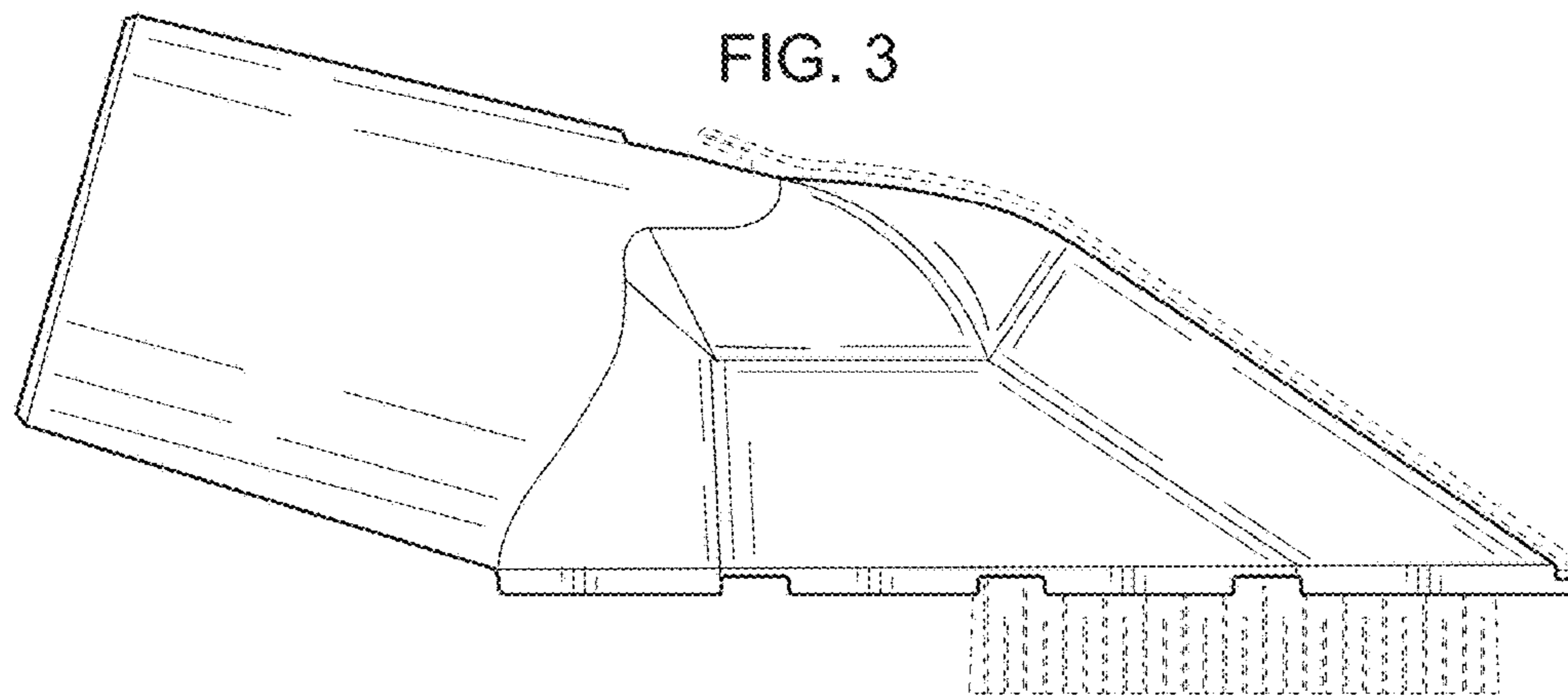


FIG. 4

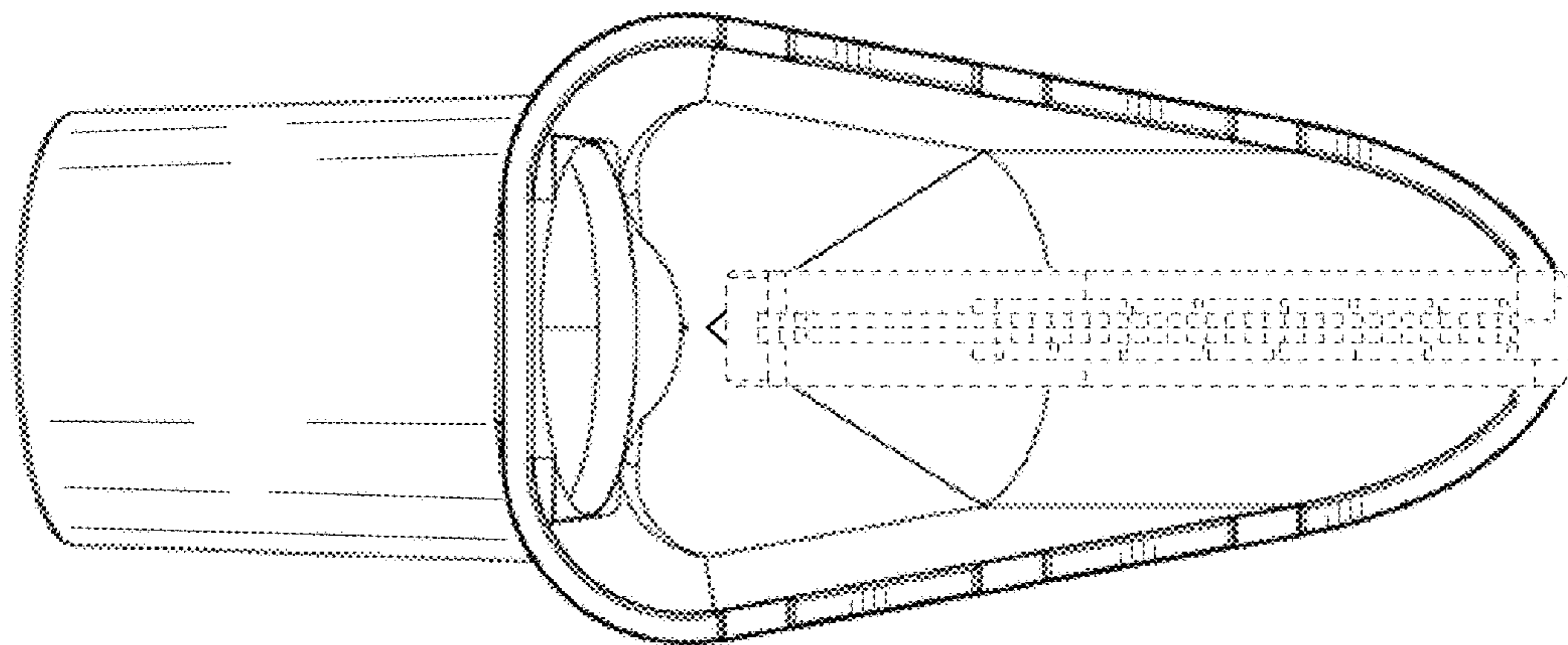


FIG. 5

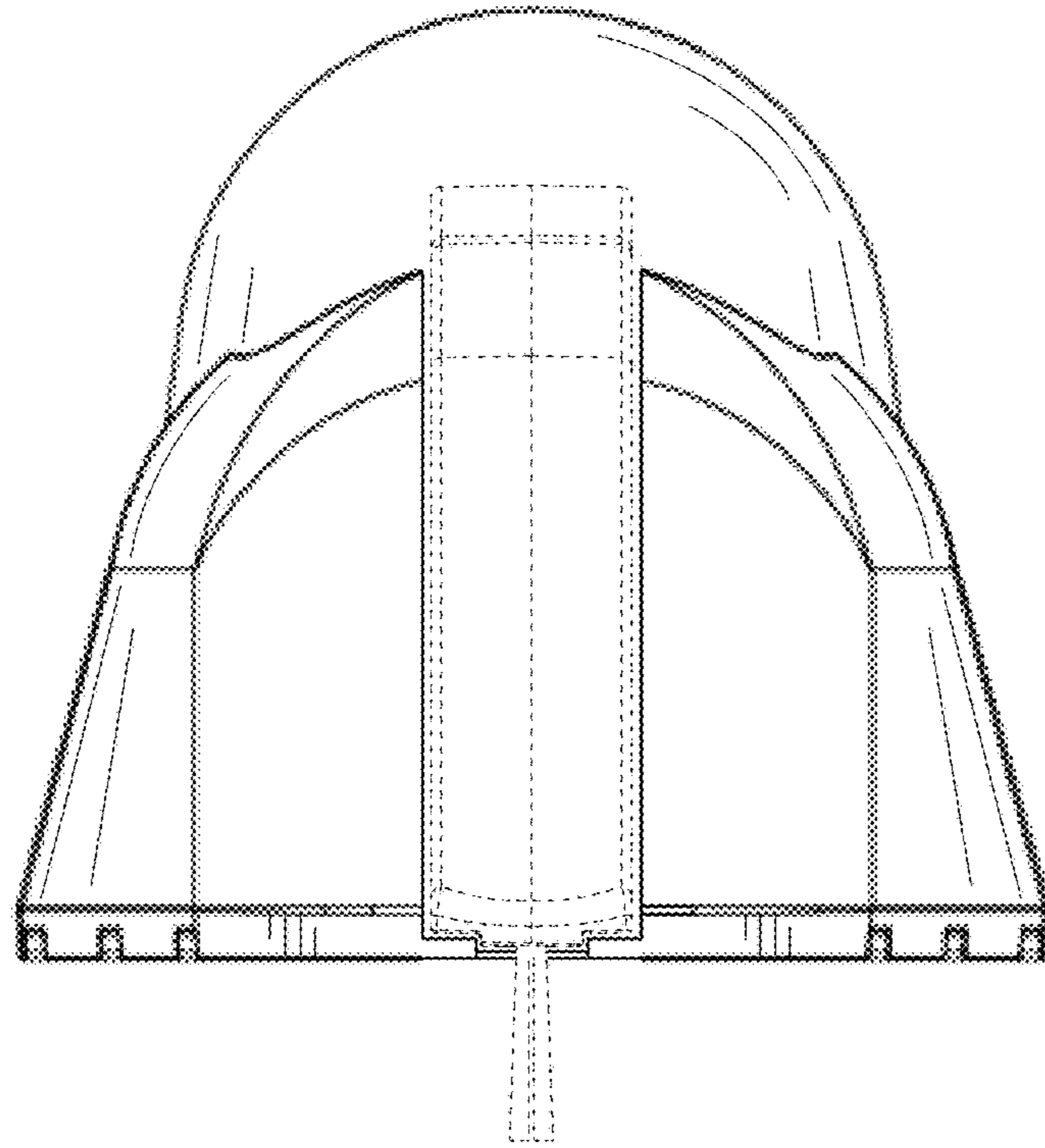


FIG. 6

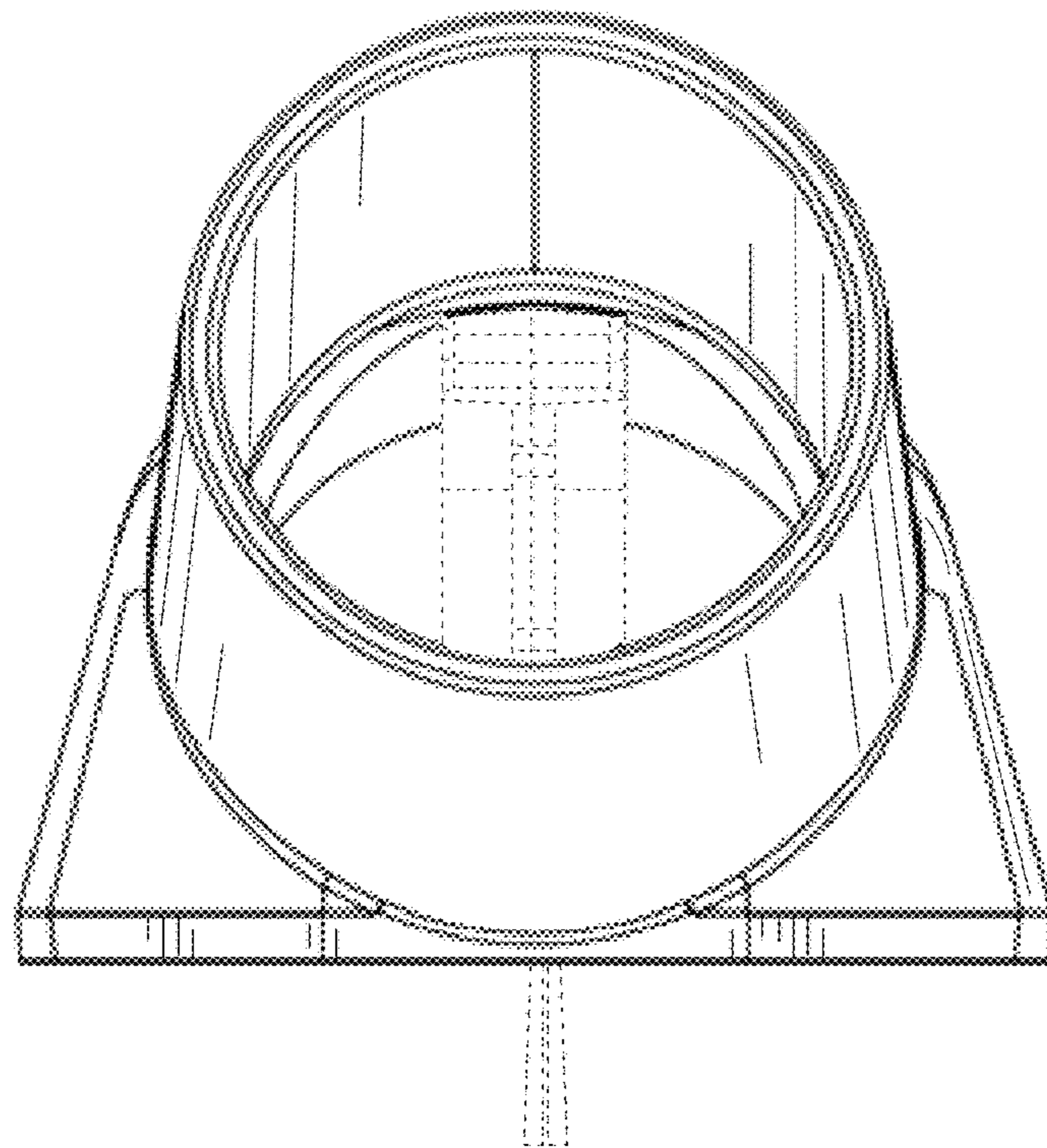


FIG. 7

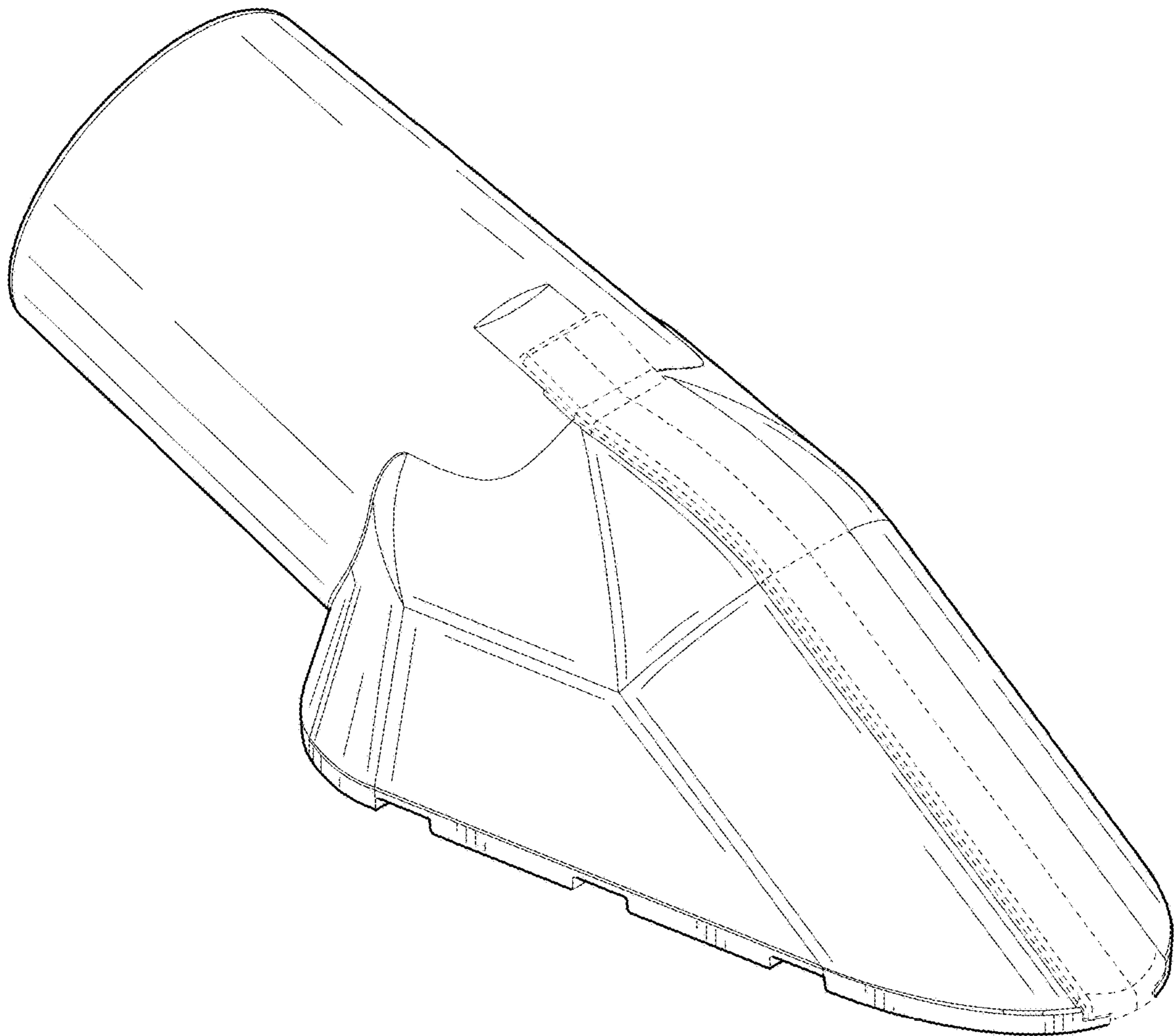


FIG. 8

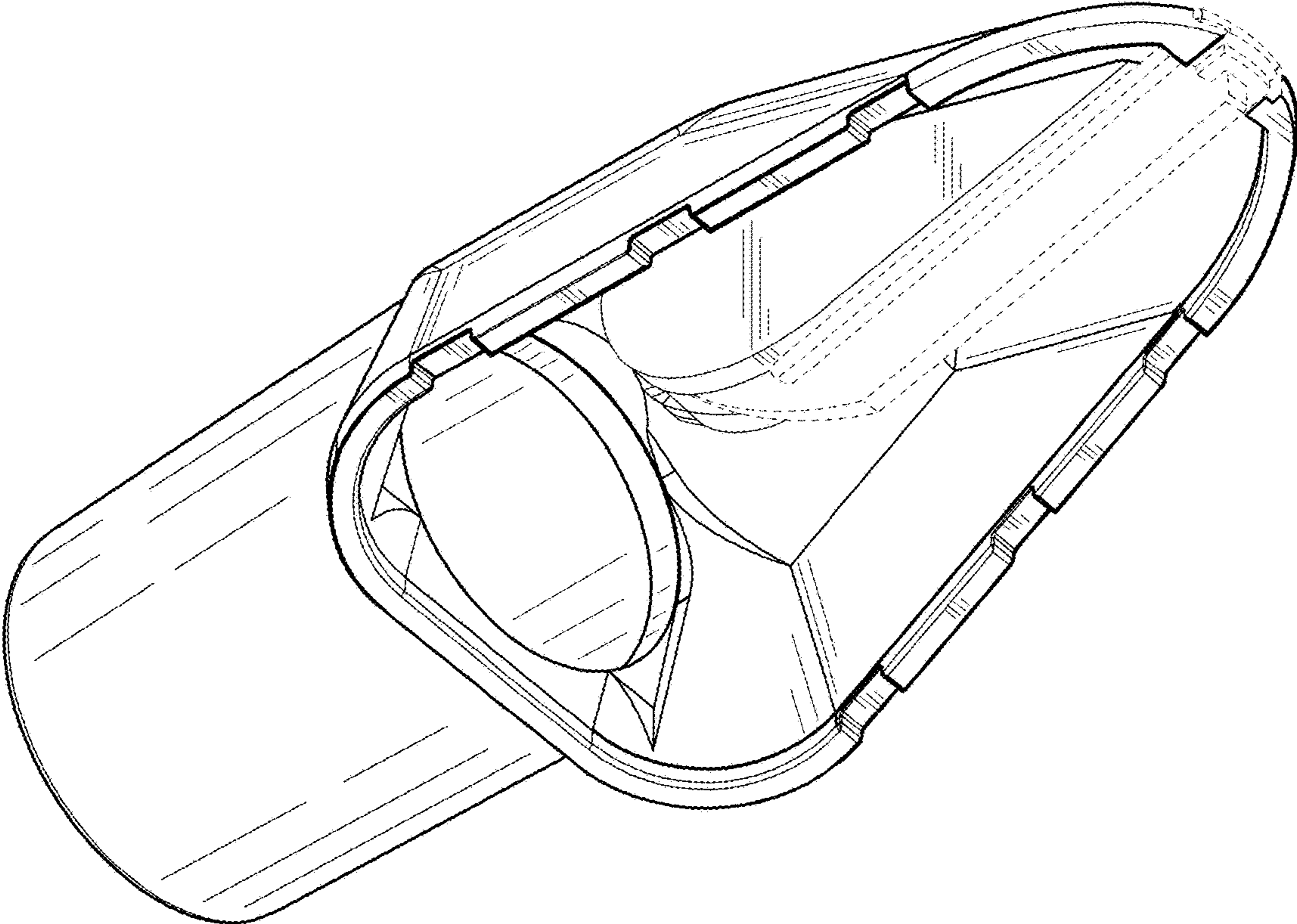


FIG. 9

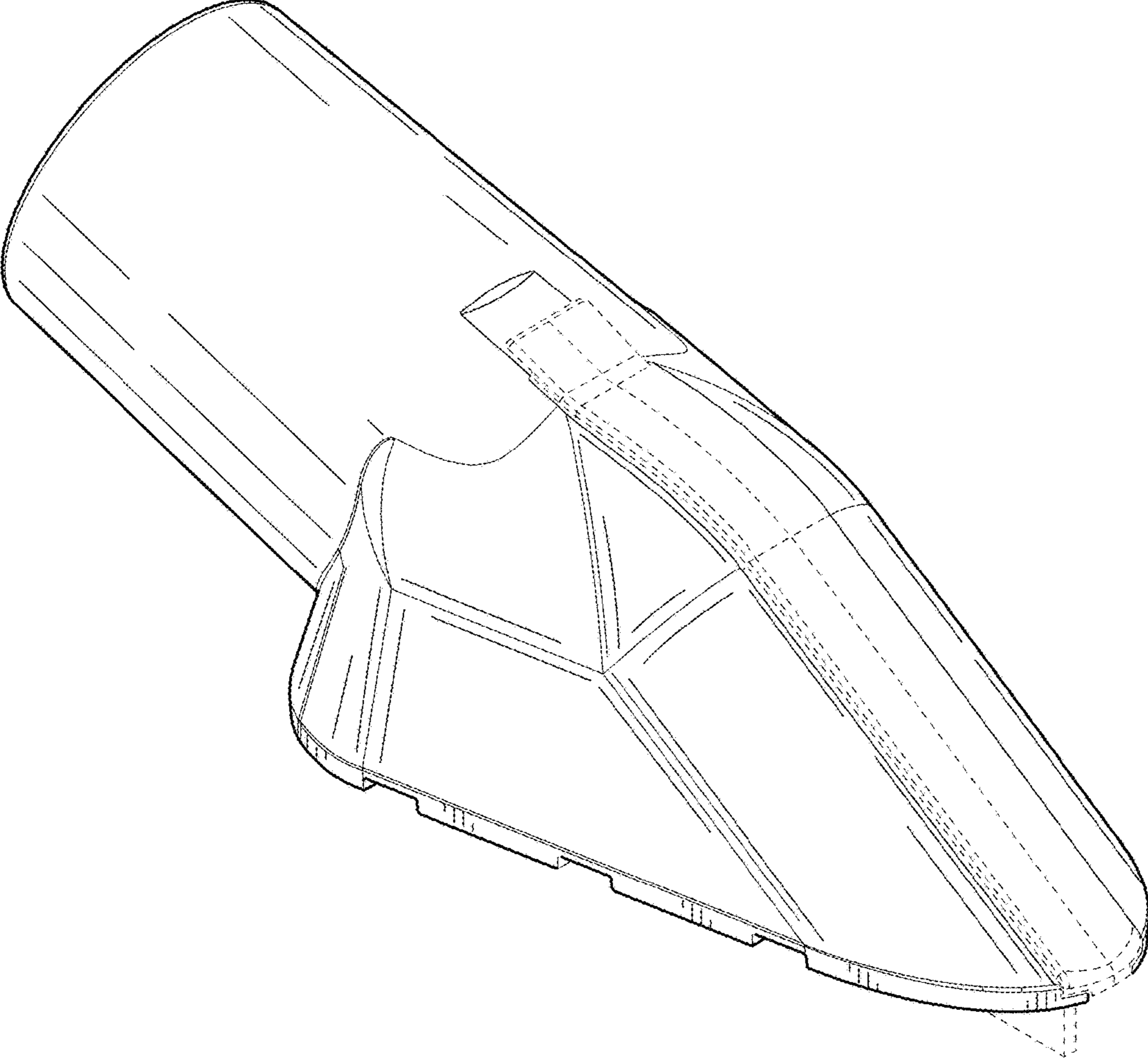


FIG. 10

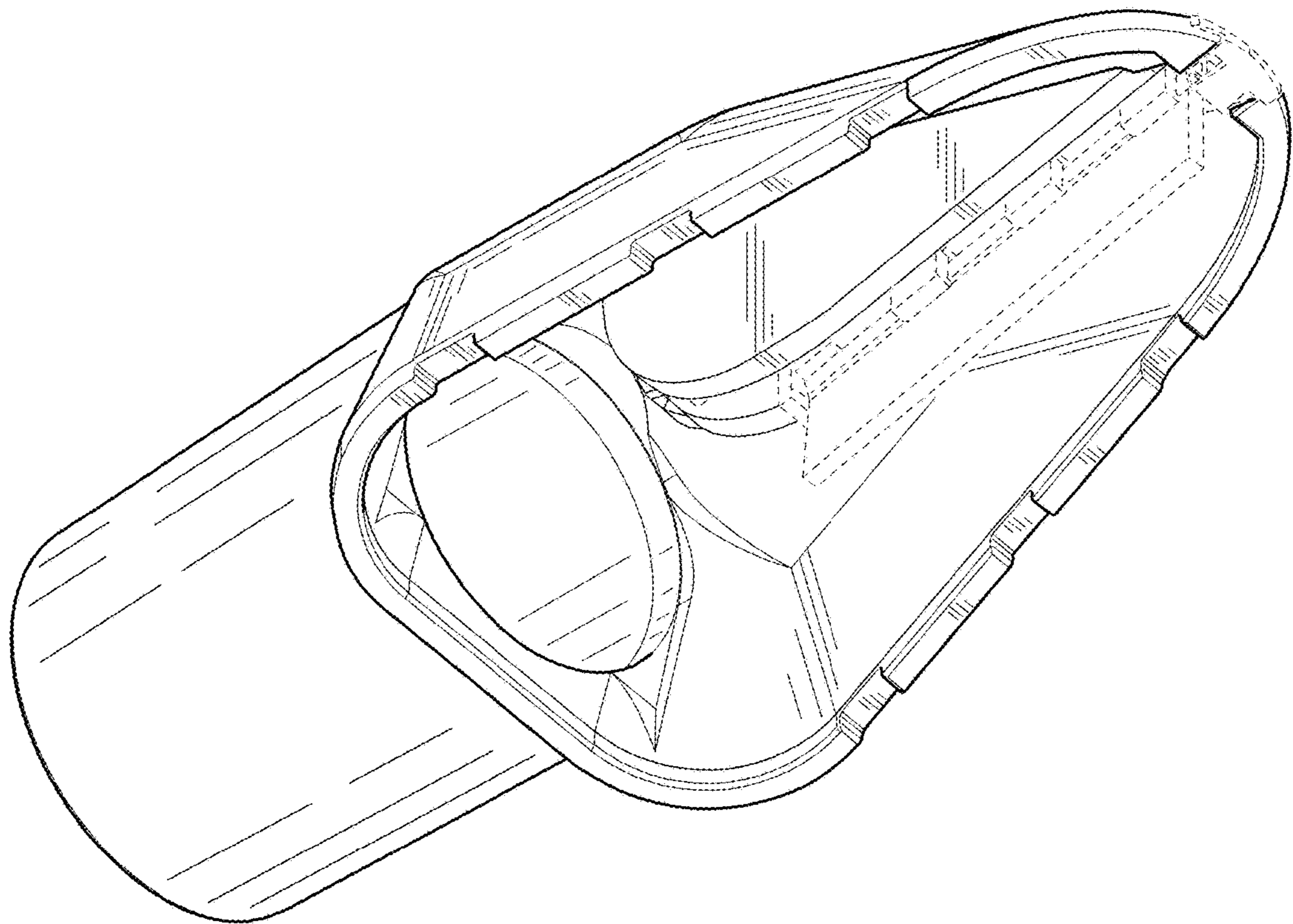


FIG. 11