



US00D852437S

(12) **United States Design Patent** (10) **Patent No.:** **US D852,437 S**
Chelle (45) **Date of Patent:** **** Jun. 25, 2019**

(54) **PET COLLAR** 4,841,915 A * 6/1989 Rocchetti A01K 27/00
119/864

(71) Applicant: **AB7 SANTE**, Deyme (FR) D352,804 S * 11/1994 Bland, Jr. D30/152
5,443,039 A * 8/1995 Suchowski A01K 27/005
119/792

(72) Inventor: **Christophe Chelle**, Fourquevaux (FR) D428,218 S * 7/2000 Dehart D30/152
D454,415 S * 3/2002 Leverenz D30/152
D498,336 S * 11/2004 Hong D30/152
D649,304 S * 11/2011 Cupples D30/145
D649,721 S * 11/2011 de Socio D30/152
D653,408 S * 1/2012 Sajid D30/152
D677,191 S * 3/2013 Benjamin D11/4
D715,675 S * 10/2014 Ma D11/3
D725,841 S * 3/2015 So D30/152
D759,324 S * 6/2016 Pulliam D30/199
D761,495 S * 7/2016 Rose-Grant D30/144
D761,499 S * 7/2016 Pulliam D30/199
2016/0113245 A1 * 4/2016 Swanger A01K 27/001
119/792

(**) Term: **15 Years**

(21) Appl. No.: **35/502,346**

(22) Filed: **Nov. 21, 2016**

(80) **Hague Agreement Data**
Int. Filing Date: **Nov. 21, 2016**
Int. Reg. No.: **DM/094254**
Int. Reg. Date: **Nov. 21, 2016**
Int. Reg. Pub. Date: **Jan. 27, 2017**

* cited by examiner

(30) **Foreign Application Priority Data**

Jul. 27, 2016 (FR) 20163845

(51) **LOC (11) Cl.** **30-04**

(52) **U.S. Cl.**
USPC **D30/152**

(58) **Field of Classification Search**

USPC D30/144, 145, 151, 152, 153, 155, 199;
D10/104.1, 104.2

CPC A01K 11/006; A01K 15/00; A01K 15/021;
A01K 15/022; A01K 15/023; A01K
27/00; A01K 27/001; A01K 27/009;
A01D 15/04

See application file for complete search history.

(56) **References Cited**

U.S. PATENT DOCUMENTS

2,612,139 A * 9/1952 Collins A01K 27/001
116/170
D253,852 S * 1/1980 Zajitz D30/152

Primary Examiner — Darlington Ly

(74) *Attorney, Agent, or Firm* — Benoit & Cote, Inc.

(57) **CLAIM**

The ornamental design for a pet collar, as shown and described.

DESCRIPTION

1.1 is a front elevation view of a pet collar showing my new design;

1.2 is a top plan view thereof;

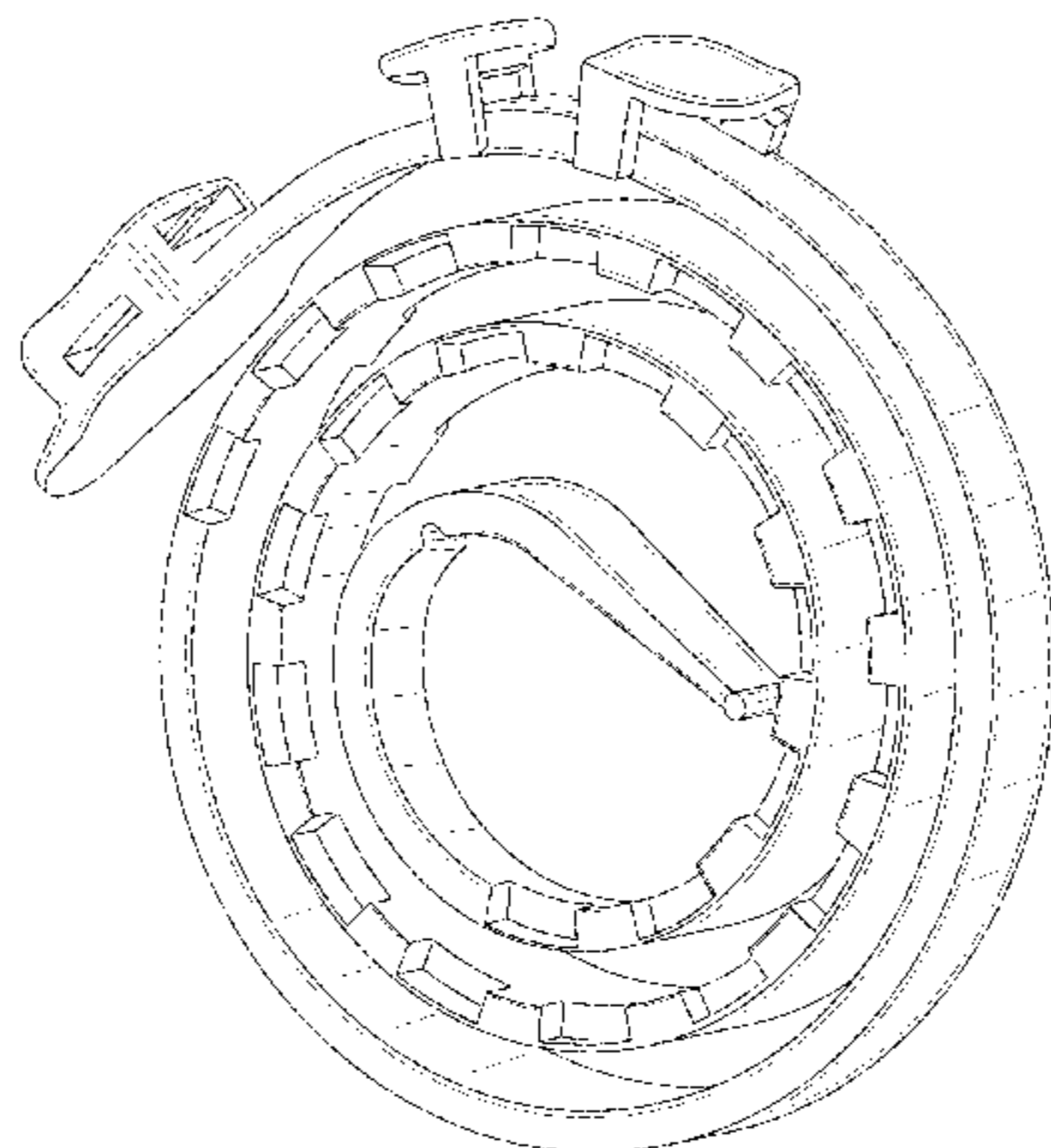
1.3 is a rear elevation view thereof;

1.4 is a bottom plan view thereof;

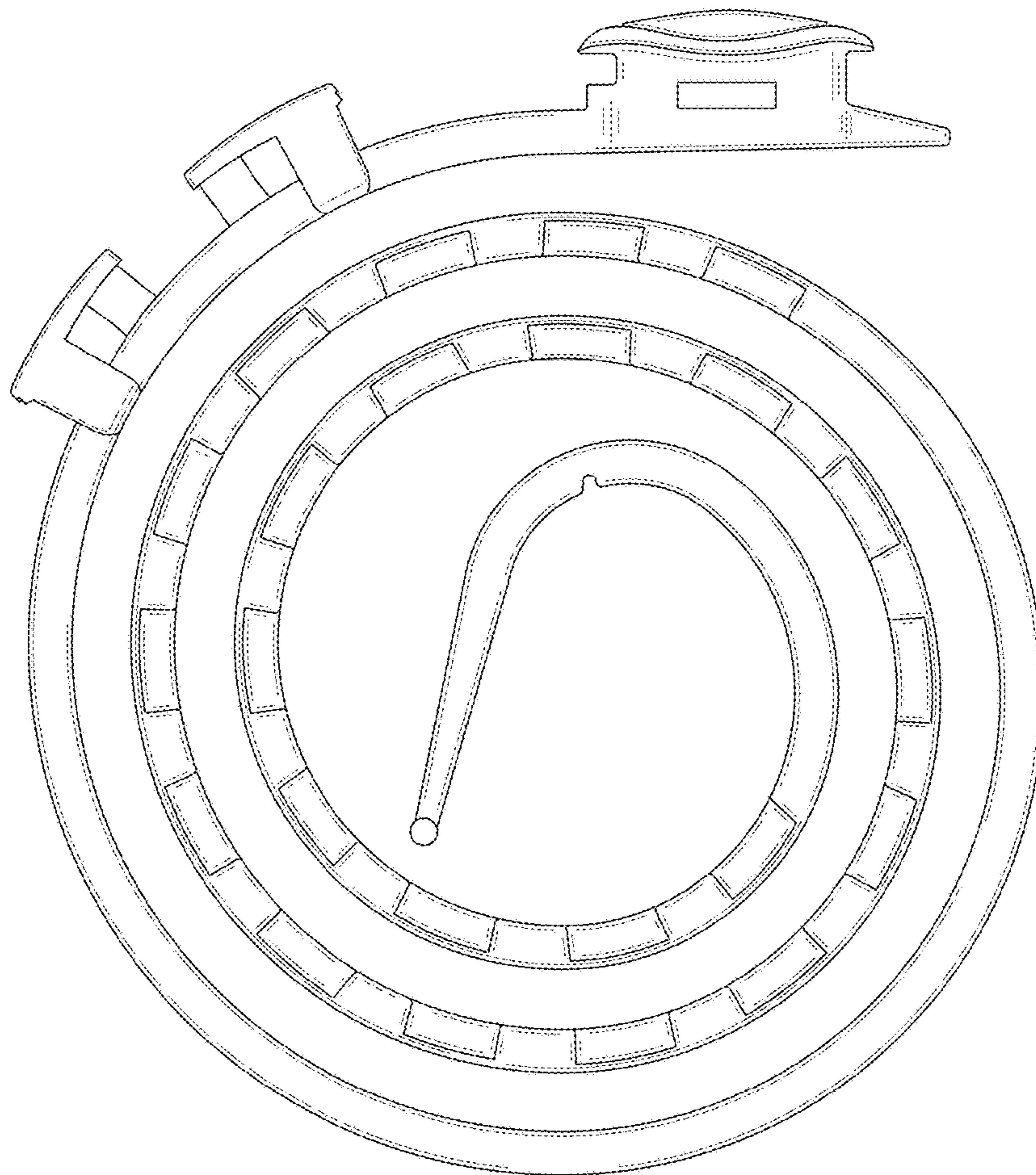
1.5 is a rear perspective view thereof; and

1.6 is a front perspective view thereof.

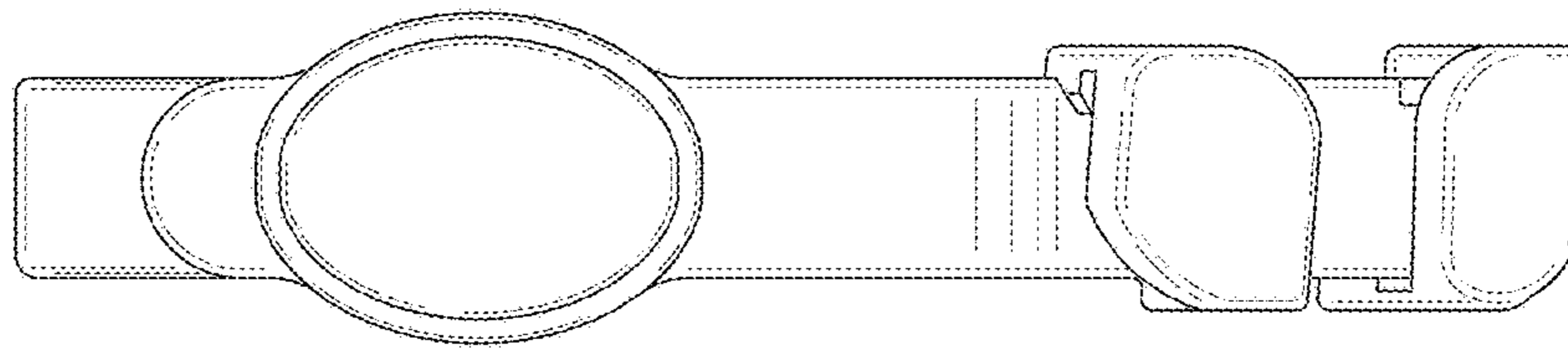
1 Claim, 6 Drawing Sheets



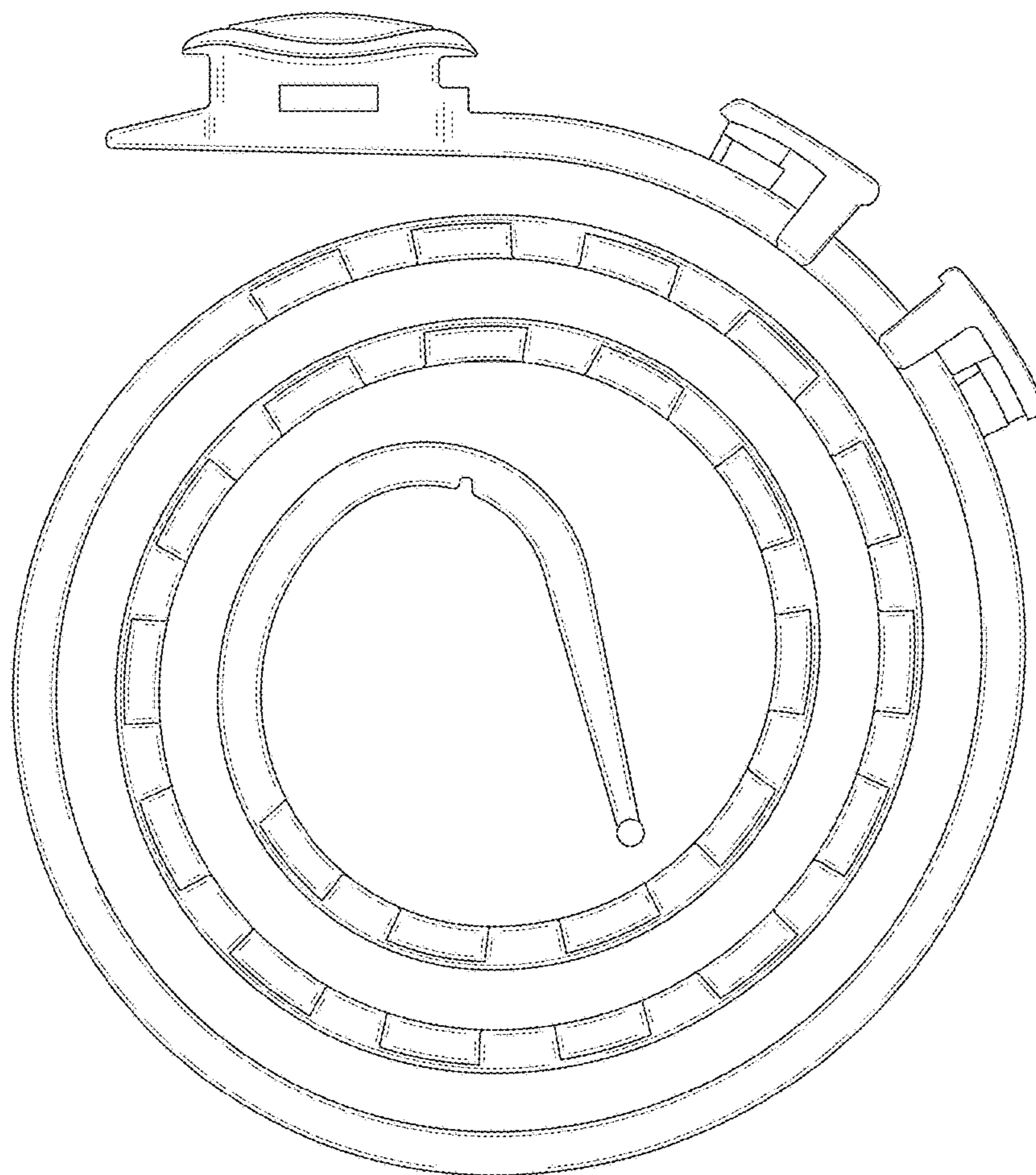
1.1



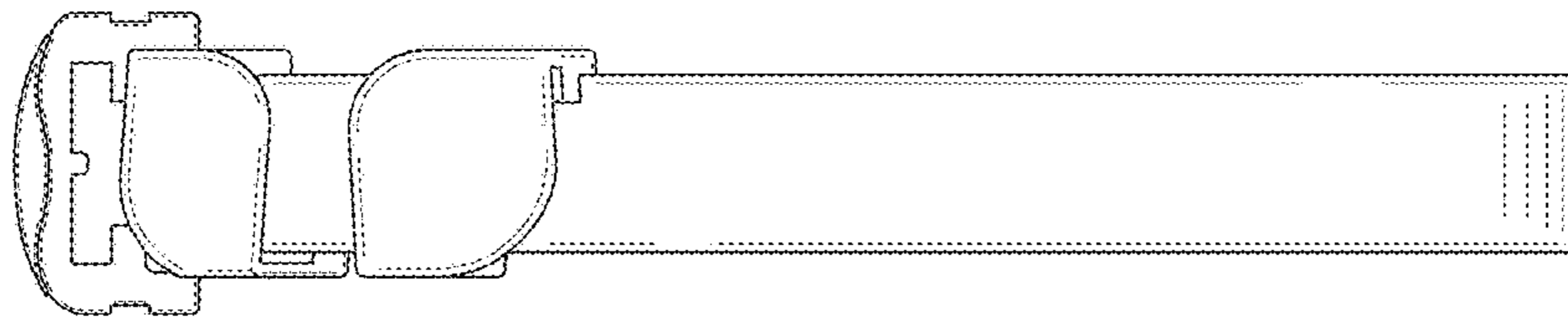
1.2



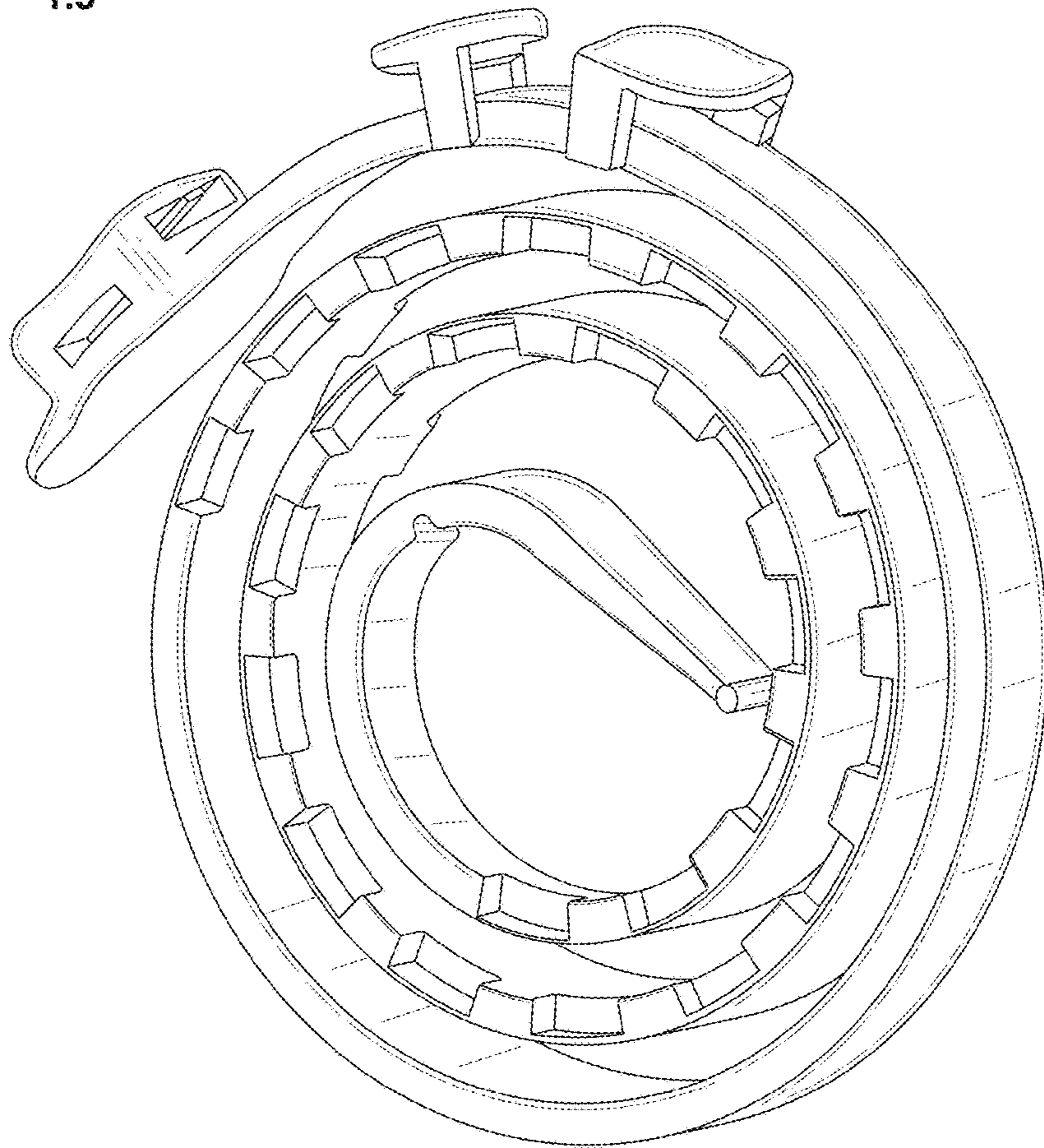
1.3



1.4



1.5



1.6

