



US00D852436S

(12) **United States Design Patent**
Leach et al.

(10) **Patent No.:** **US D852,436 S**
(45) **Date of Patent:** **** Jun. 25, 2019**

(54) **ANIMAL COLLAR ATTACHMENT**

(71) Applicants: **Justin James Leach**, Phoenix, AZ
(US); **Leif Strom**, Scottsdale, AZ (US)

(72) Inventors: **Justin James Leach**, Phoenix, AZ
(US); **Leif Strom**, Scottsdale, AZ (US)

(**) Term: **15 Years**

(21) Appl. No.: **29/615,510**

(22) Filed: **Aug. 29, 2017**

(51) **LOC (11) Cl.** **30-04**

(52) **U.S. Cl.**
USPC **D30/152**

(58) **Field of Classification Search**
USPC D30/152, 199; D11/79, 86, 87, 200–201,
D11/206–210, 214–216, 222–223, 226,
D11/230–238; D10/30, 40, 70, 50, 52,
D10/60, 61, 104.1, 104.2; D14/344, 242,
D14/203.1, 203.3, 203.5; D24/186, 191;
D16/208, 219, 201; D2/321, 624, 627,
D2/639–640; 119/863; 24/178
CPC A01K 11/006; A01K 11/008; A01K 13/00;
A01K 15/021; A01K 15/022; A01K
27/00; A01K 27/001; A01K 27/005;
A01K 27/009; A01K 27/008; A01K
27/006; A01K 29/00

See application file for complete search history.

(56) **References Cited**

U.S. PATENT DOCUMENTS

2,126,866 A * 8/1938 Boog A44B 3/00
24/332
D400,458 S * 11/1998 Titus D10/104.1

D555,298 S * 11/2007 Garon D30/152
7,559,291 B2 * 7/2009 Reinhart A01K 15/021
119/720
D736,115 S * 8/2015 Welch D11/216
D745,229 S * 12/2015 Pulliam D30/199
9,730,704 B2 * 8/2017 Rose A61B 17/1322
9,861,080 B1 * 1/2018 Hathway A01K 27/009
D811,934 S * 3/2018 Martinet D11/218
2006/0207520 A1 * 9/2006 Moore A01K 15/021
119/720
2007/0186871 A1 * 8/2007 Boyd A01K 27/009
119/859
2009/0255486 A1 * 10/2009 Thompson A01K 27/004
119/794
2014/0320347 A1 * 10/2014 Rochelle A01K 15/023
342/385
2018/0168128 A1 * 6/2018 Leach A01K 15/04

* cited by examiner

Primary Examiner — Barbara Fox
Assistant Examiner — Mary C Ramirez

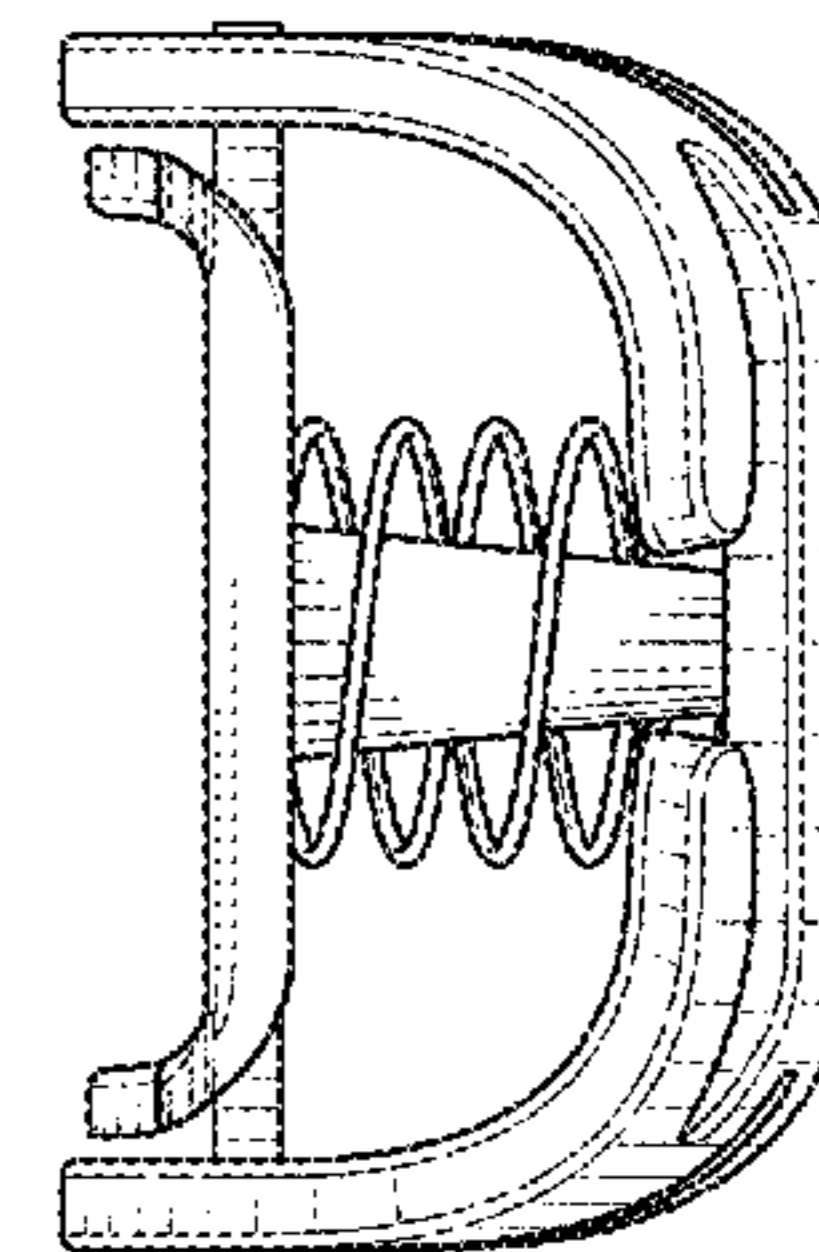
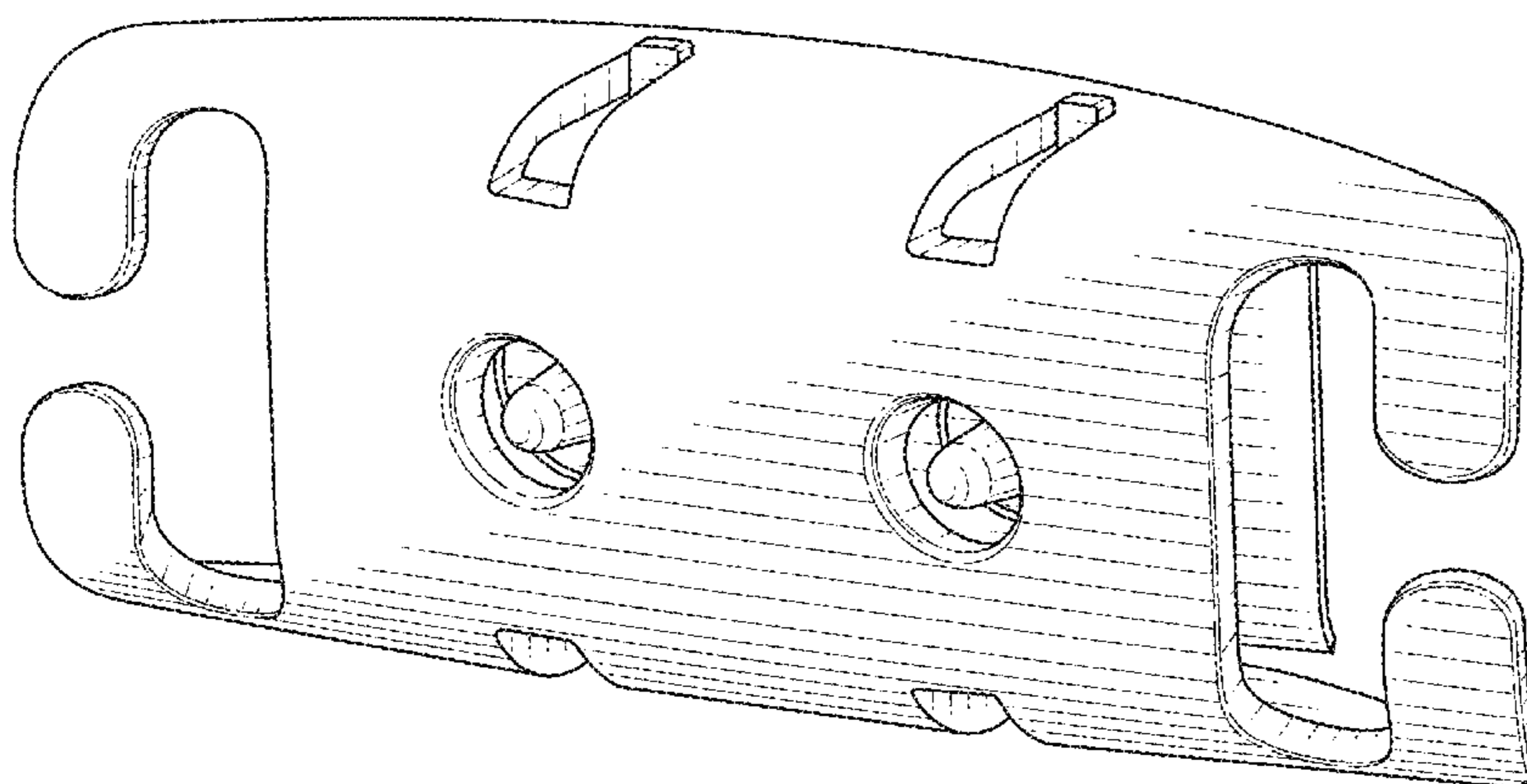
(57) **CLAIM**

We claim the ornamental design for an animal collar attachment, as shown and described.

DESCRIPTION

FIG. 1 is a front right perspective view of an animal collar attachment showing the new design; FIG. 2 is a front view thereof; FIG. 3 is a rear view thereof; FIG. 4 is a left side view thereof; FIG. 5 is a right side view thereof; FIG. 6 is a top view thereof; FIG. 7 is a bottom view thereof; and, FIG. 8 is a rear, left perspective view thereof.

1 Claim, 4 Drawing Sheets



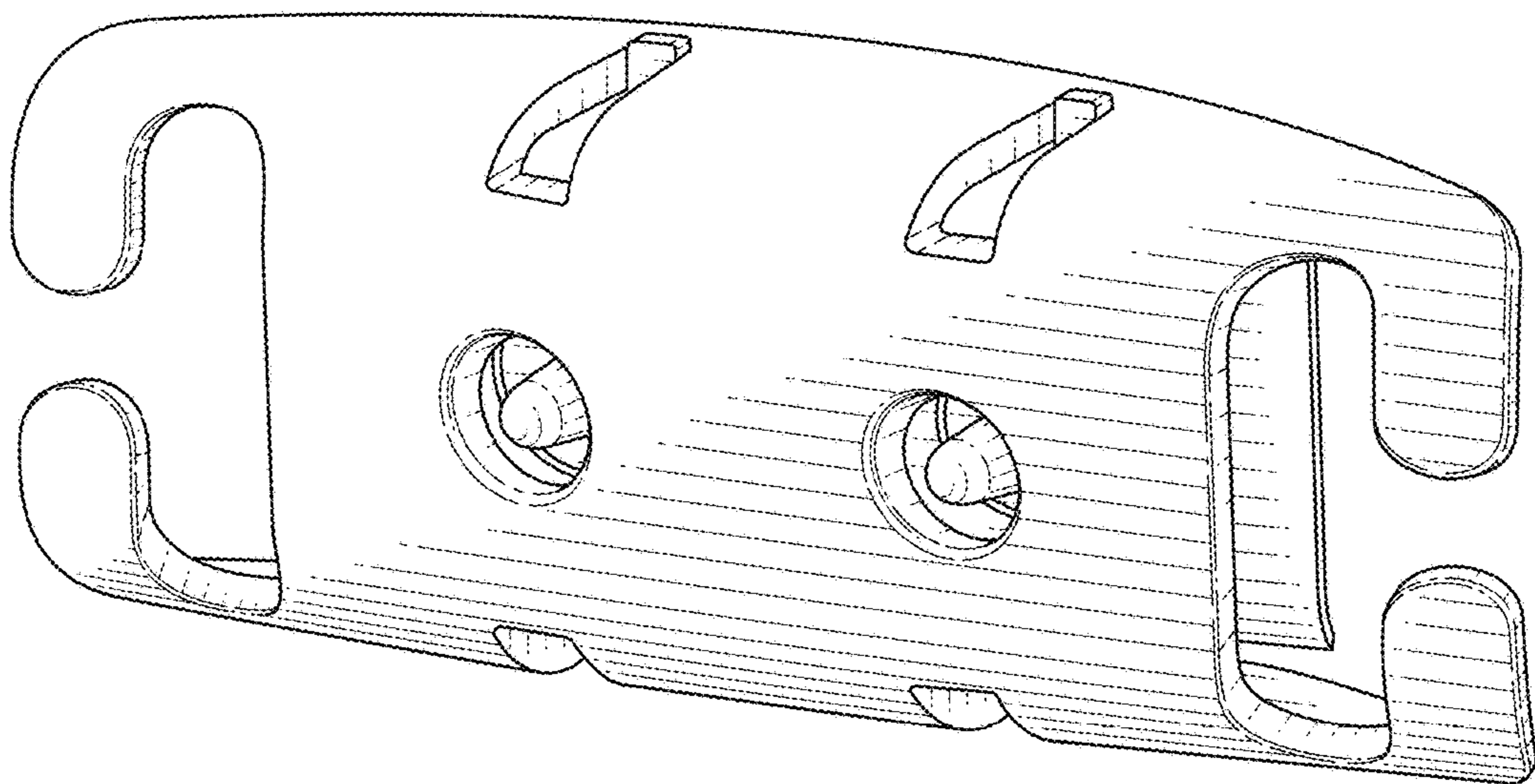


FIG. 1

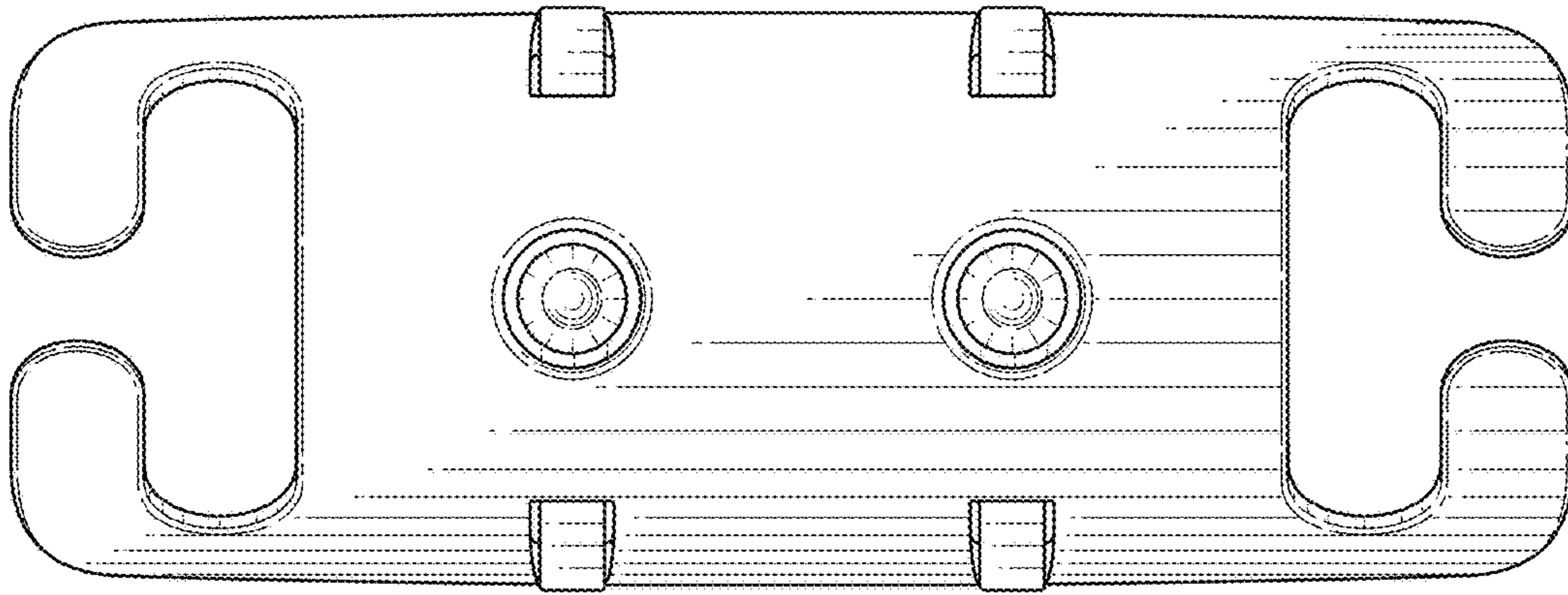


FIG. 2

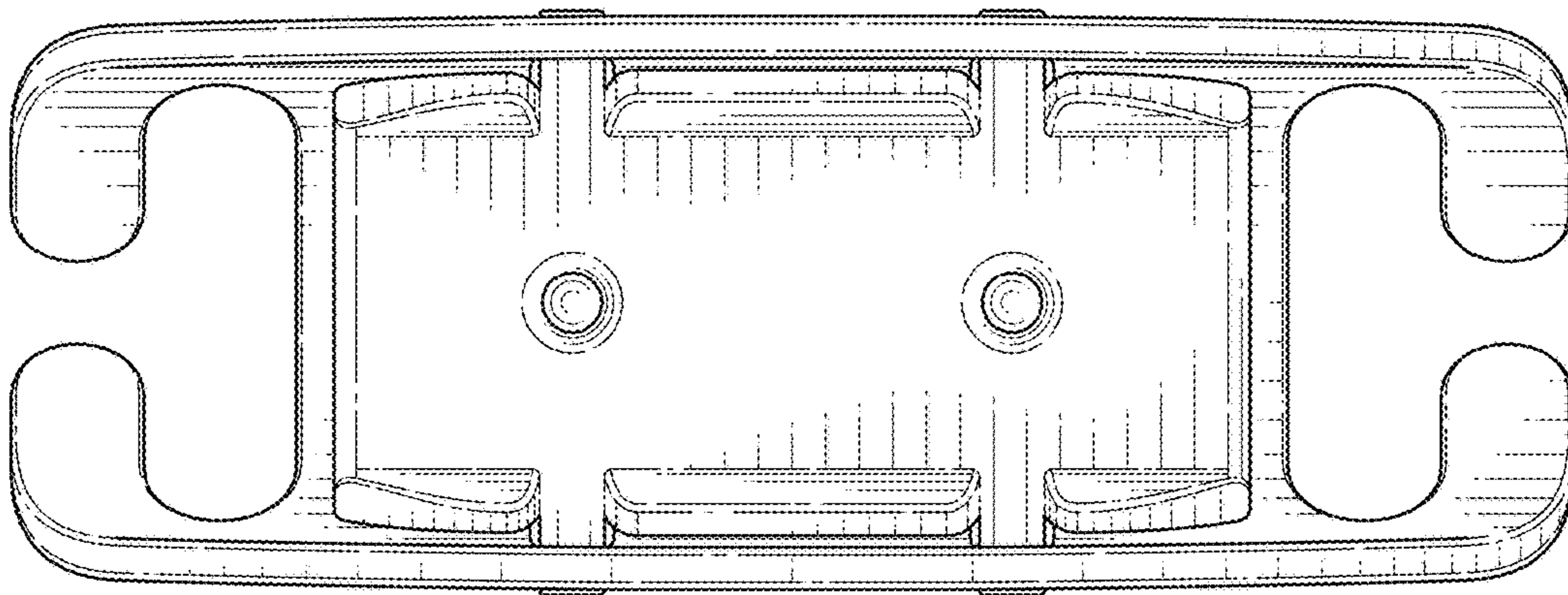


FIG. 3

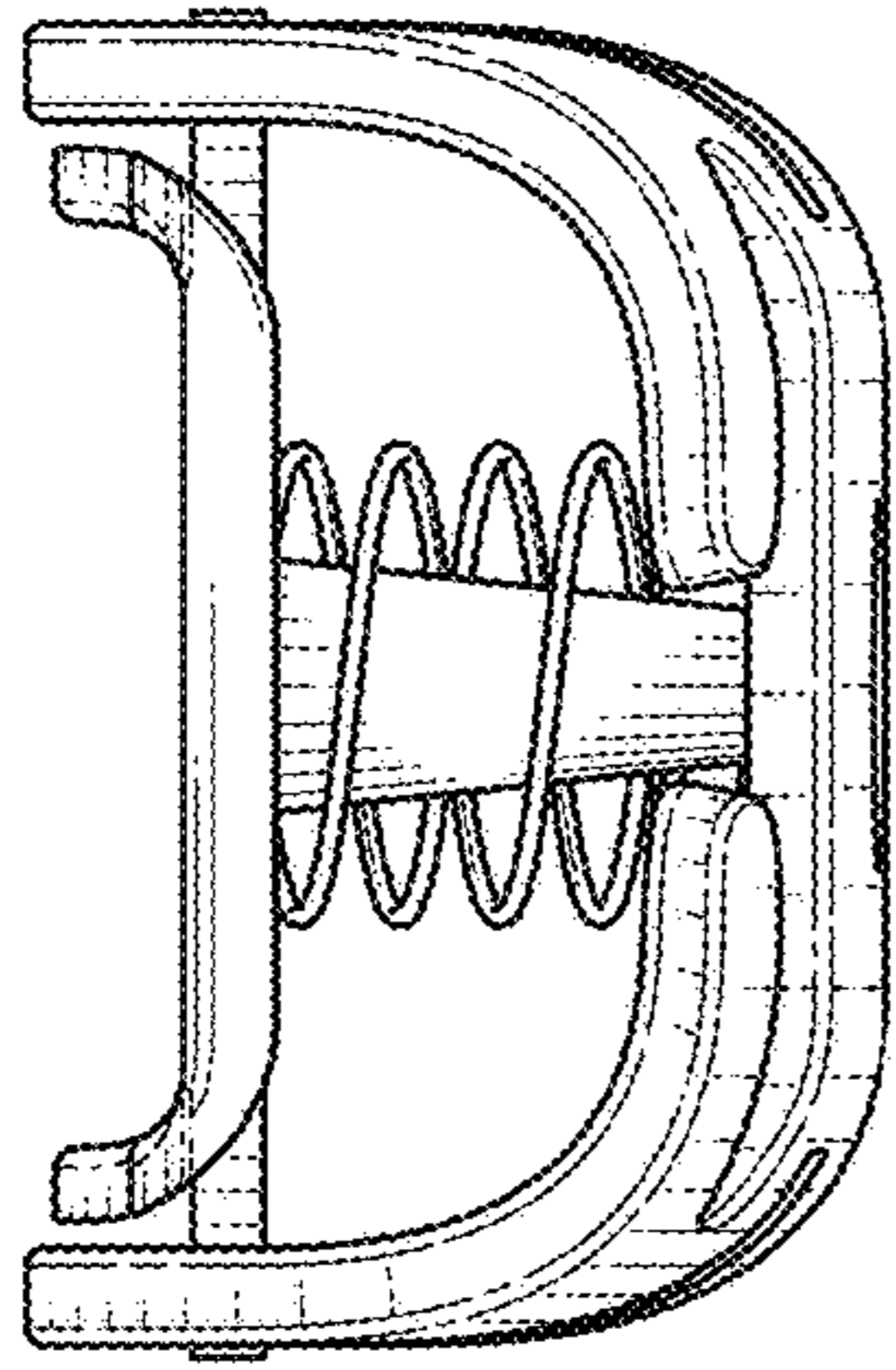


FIG. 4

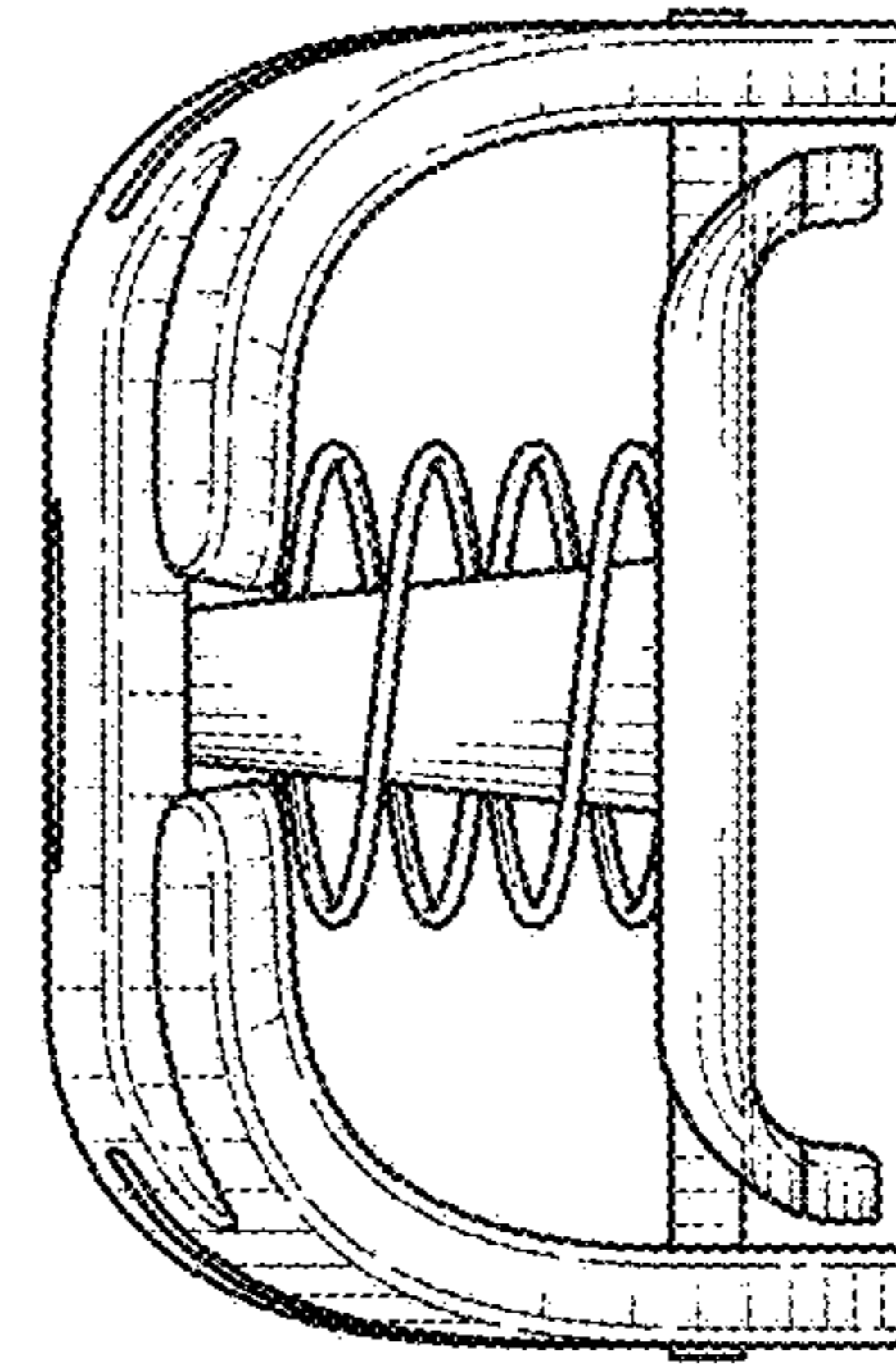


FIG. 5

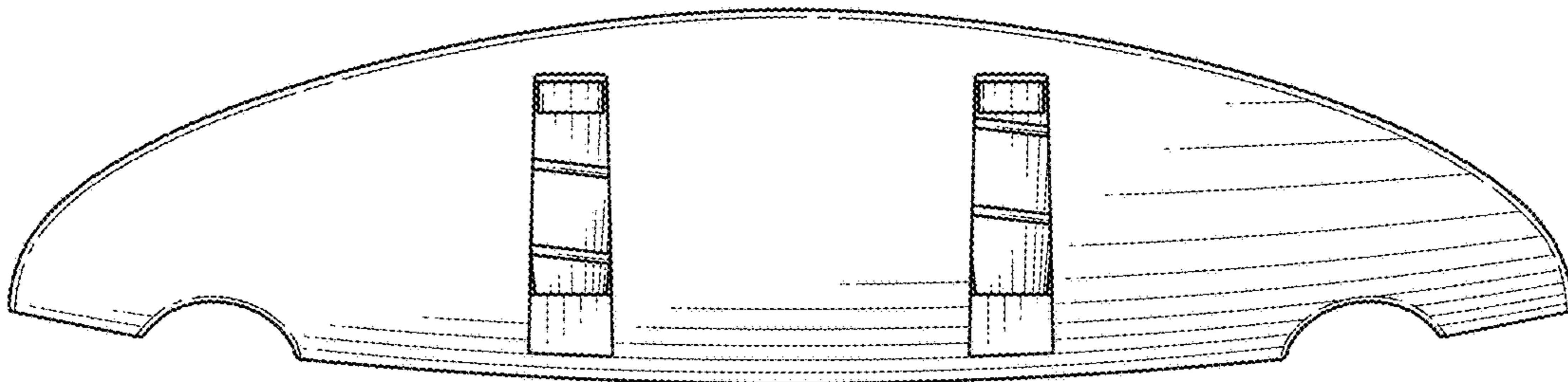


FIG. 6

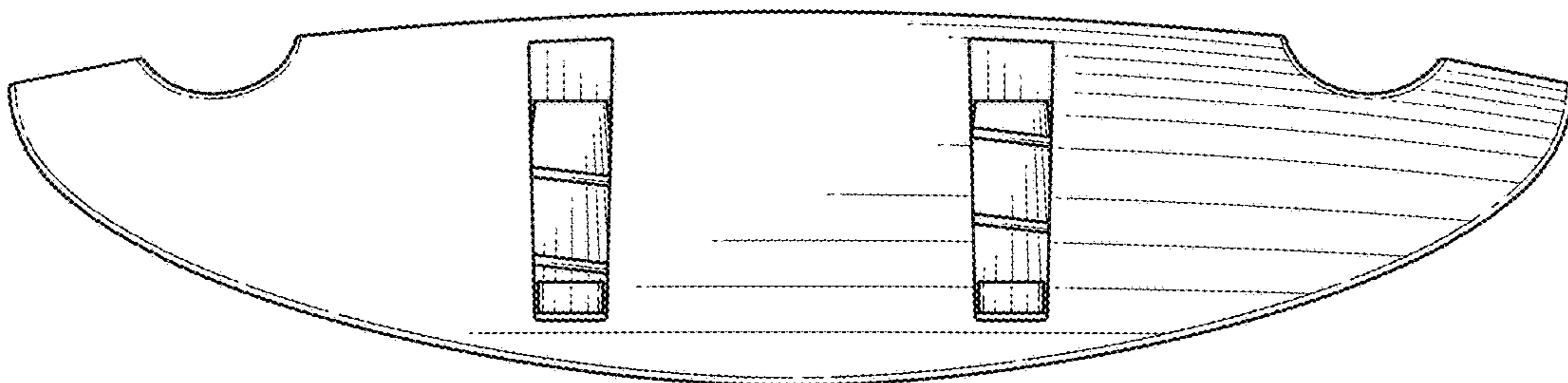


FIG. 7

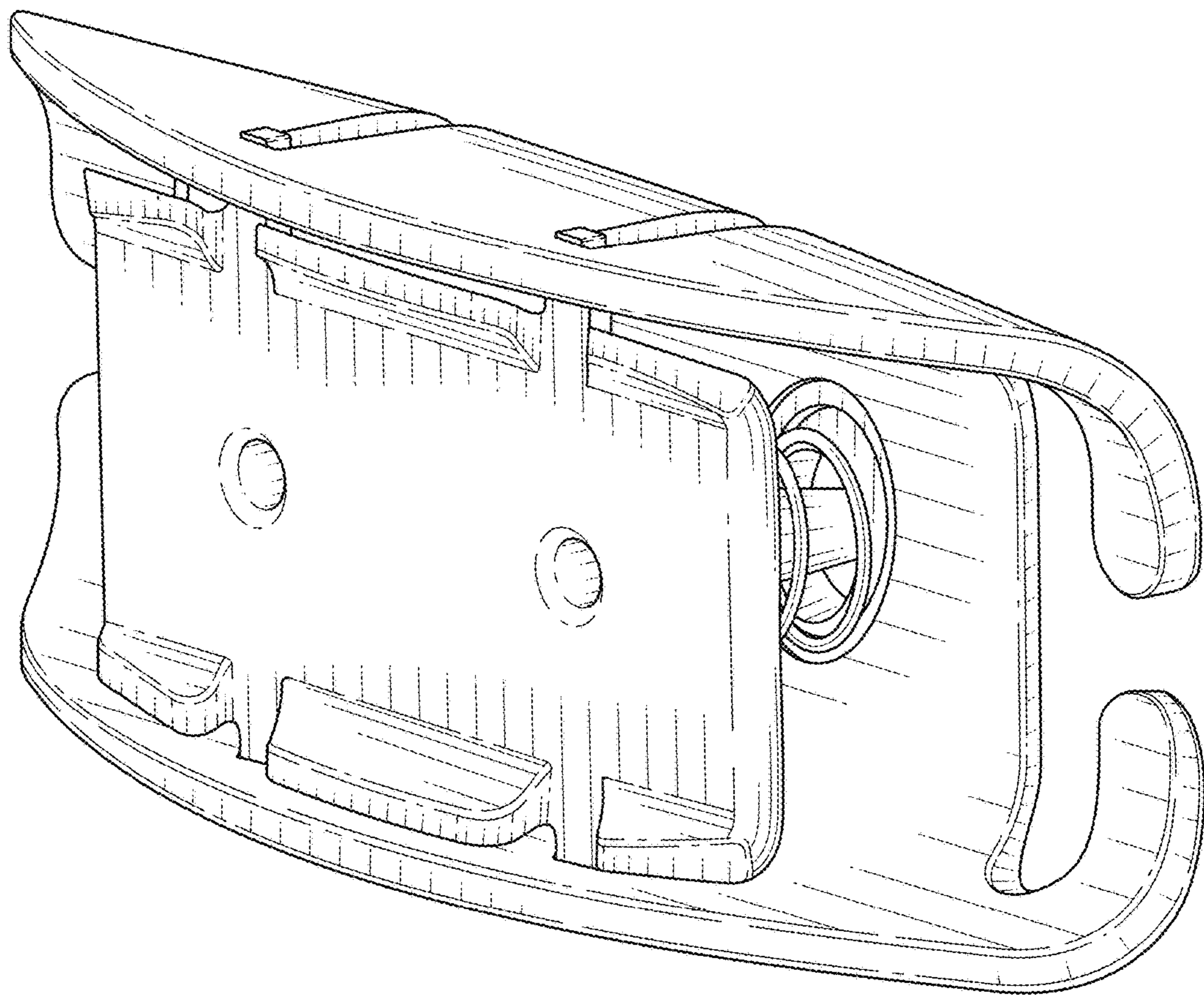


FIG. 8