



US00D852431S

(12) **United States Design Patent** (10) **Patent No.:** **US D852,431 S**
Ma (45) **Date of Patent:** **** Jun. 25, 2019**

(54) **AUTOMATIC PET FEEDER**

CPC A01K 5/02; A01K 5/0225; A01K 5/0114;
A01K 5/025; A01K 5/0266; A01K
5/0275; A01K 5/0283; A01K 5/0291;
A01K 5/0258; A01K 7/00; G01F 11/24;
G01F 23/02; B67D 1/0425; B67D 1/04;
B67D 1/00; B67D 1/02; B67D 1/0871;
B67D 1/0802;

(71) Applicant: **Shenzhen Petwant Pet Products Co., Ltd.**, Shenzhen (CN)

(72) Inventor: **Jun Ma**, Shenzhen (CN)

(73) Assignee: **SHENZHEN PETWANT PET PRODUCTS CO., LTD.**, Guangdong (CN)

(Continued)

(**) Term: **15 Years**

(21) Appl. No.: **29/628,677**

(22) Filed: **Dec. 6, 2017**

(30) **Foreign Application Priority Data**

Jun. 6, 2017 (CN) 2017 3 0225348

(51) **LOC (11) Cl.** **30-07**

(52) **U.S. Cl.**
USPC **D30/122**

(58) **Field of Classification Search**
USPC D30/121, 122, 129–133; 119/61.5, 51.01, 119/61.56, 51.03, 59, 62, 63, 51.5, 57.8, 119/74, 61.54, 61.55, 53, 53.5, 75, 56.2, 119/51.02, 51.11, 51.12, 57.1, 52.1, 515; 312/204; 248/151, 188; 108/153.1–157; 220/23.87, 630, 737, 743, 9.4, 495.01, 220/574, 212, 255, 23.83; 206/515; D7/586, 543, 550.1, 587, 505, 584, 545, D7/500, 553.1–553.8, 546, 555, 556, 504, D7/565, 562, 602, 605, 312, 313, 320, D7/307, 306, 309, 354, 311, 399, 397, D7/323, 332, 331, 347, 346, 322, 318, D7/317, 316, 619.1; D9/429; 43/109; D22/122; 99/430, DIG. 15, 280, 285, 99/312; 222/209, 131, 363, 349, 517, 222/153.13, 401, 1, 146.5, 23, 54, 64, 51, 222/156, 399, 400.8; 219/438, 439, 441, 219/385, 386, 402, 407; 210/94, 184, 210/474, 477; D34/7–10, 1

(56) **References Cited**

U.S. PATENT DOCUMENTS

822,442 A * 6/1906 Gamblin A01K 5/02
119/56.1
867,621 A * 10/1907 Tannehill A01K 39/026
119/77

(Continued)

Primary Examiner — Susan Moon Lee

(74) *Attorney, Agent, or Firm* — Miller, Matthias & Hull LLP

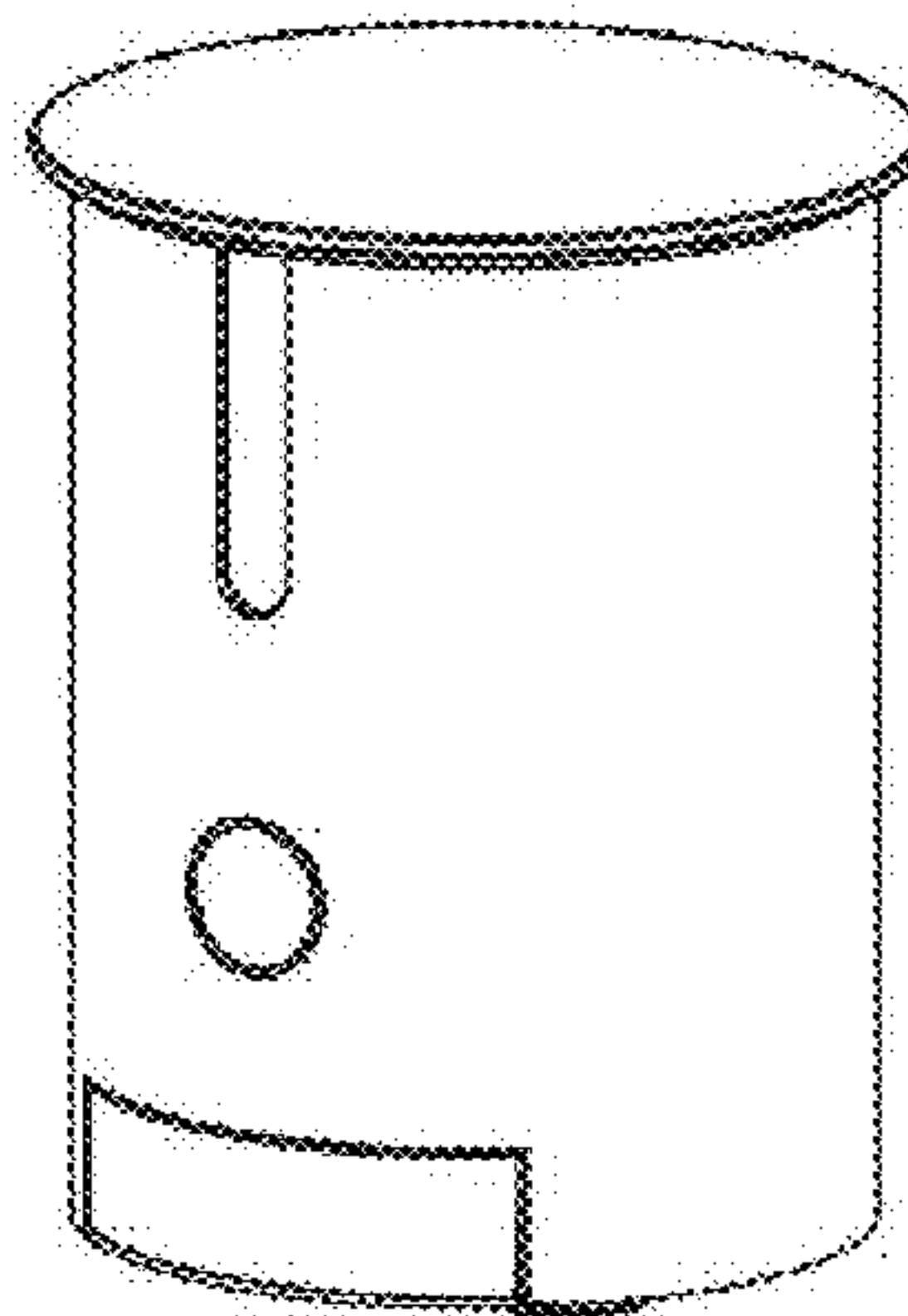
(57) **CLAIM**

The ornamental design for an “automatic pet feeder,” as shown and described.

DESCRIPTION

FIG. 1 is a perspective view of an automatic pet feeder in accordance with an embodiment showing the new design; FIG. 2 is a front elevation view of the automatic pet feeder shown in FIG. 1; FIG. 3 is a rear elevation view of the automatic pet feeder shown in FIG. 1; FIG. 4 is a top plan view of the automatic pet feeder shown in FIG. 1; FIG. 5 is a bottom plan view of the automatic pet feeder shown in FIG. 1; FIG. 6 is a first side elevation view of the automatic pet feeder shown in FIG. 1; and, FIG. 7 is a second side elevation view of the automatic pet feeder shown in FIG. 1.

1 Claim, 7 Drawing Sheets



(58) **Field of Classification Search**
 CPC .. A47J 41/0033; A47J 41/005; A47J 41/0088;
 A47J 41/0094; A47J 31/04; A47J 31/053;
 B05B 11/00; B05B 11/0002; B05B
 11/0005; B05B 11/001; C02F 1/003;
 C02F 1/283; C02F 2307/02
 See application file for complete search history.

(56) **References Cited**

U.S. PATENT DOCUMENTS

2,765,831 A * 10/1956 Tupper A47J 47/02
 220/659
 3,196,835 A * 7/1965 Bergevin A01K 5/0291
 119/51.11
 3,340,851 A * 9/1967 Frank A01K 5/0291
 119/51.13
 3,568,893 A * 3/1971 Becker G01F 11/24
 222/349
 3,720,184 A * 3/1973 Pearce A01K 5/0225
 119/51.5
 D232,847 S * 9/1974 Okubo D30/121
 D233,642 S * 11/1974 Arnold D30/121
 3,955,537 A * 5/1976 Yujiri A01K 5/0275
 119/51.13
 3,985,104 A * 10/1976 Klemer A01K 5/0291
 119/51.12
 4,279,220 A * 7/1981 Kukurba A01K 5/0291
 119/51.11
 4,279,221 A * 7/1981 Arvizu A01K 5/0291
 119/51.11
 4,722,300 A * 2/1988 Walker A01K 5/0291
 119/51.11
 4,840,143 A * 6/1989 Simon A01K 5/0225
 119/52.1
 5,170,749 A * 12/1992 Collie A01K 5/00
 119/51.01
 5,230,300 A * 7/1993 Mezhinsky A01K 5/0291
 119/51.11
 D351,689 S * 10/1994 VanSkiver D30/121
 5,363,805 A * 11/1994 Wing A01K 5/0291
 119/51.11

5,845,600 A * 12/1998 Mendes A01K 7/02
 119/51.5
 6,044,795 A * 4/2000 Matsuura A01K 5/02
 119/51.02
 6,135,056 A * 10/2000 Kuo A01K 5/0291
 119/51.11
 6,427,628 B1 * 8/2002 Reece A01K 5/0291
 119/51.11
 6,487,987 B1 * 12/2002 Choi A01K 5/0291
 119/51.11
 6,701,866 B1 * 3/2004 Shieh A01K 5/0291
 119/51.11
 D488,889 S * 4/2004 Walsh D30/121
 6,843,205 B1 * 1/2005 Segreto A01K 5/0114
 119/51.5
 7,895,973 B1 * 3/2011 Whelan A01K 5/025
 119/51.02
 D664,304 S * 7/2012 Whelan D30/121
 D729,987 S * 5/2015 Holm D30/121
 D729,988 S * 5/2015 Holm D30/121
 D751,774 S * 3/2016 Allen D30/122
 D759,905 S * 6/2016 Stewart D30/122
 9,750,229 B2 * 9/2017 Stewart A01K 5/0275
 D814,124 S * 3/2018 Ward D30/122
 D826,482 S * 8/2018 Ellson D30/121
 10,182,553 B2 * 1/2019 Eakin A01K 5/0225
 2006/0185606 A1 * 8/2006 Park A01K 5/0114
 119/51.12
 2007/0012253 A1 * 1/2007 Zheng A01K 5/02
 119/51.02
 2011/0174224 A1 * 7/2011 Brooks A01K 5/0275
 119/57.92
 2011/0197819 A1 * 8/2011 Montgomery A01K 5/0225
 119/51.11
 2012/0160176 A1 * 6/2012 Murphy A01K 5/0114
 119/57.1
 2015/0164044 A1 * 6/2015 Powers A01K 5/0225
 119/61.5
 2016/0007564 A1 * 1/2016 Ma A01K 5/0225
 119/57.1
 2018/0199541 A1 * 7/2018 Huang A01K 5/0114

* cited by examiner

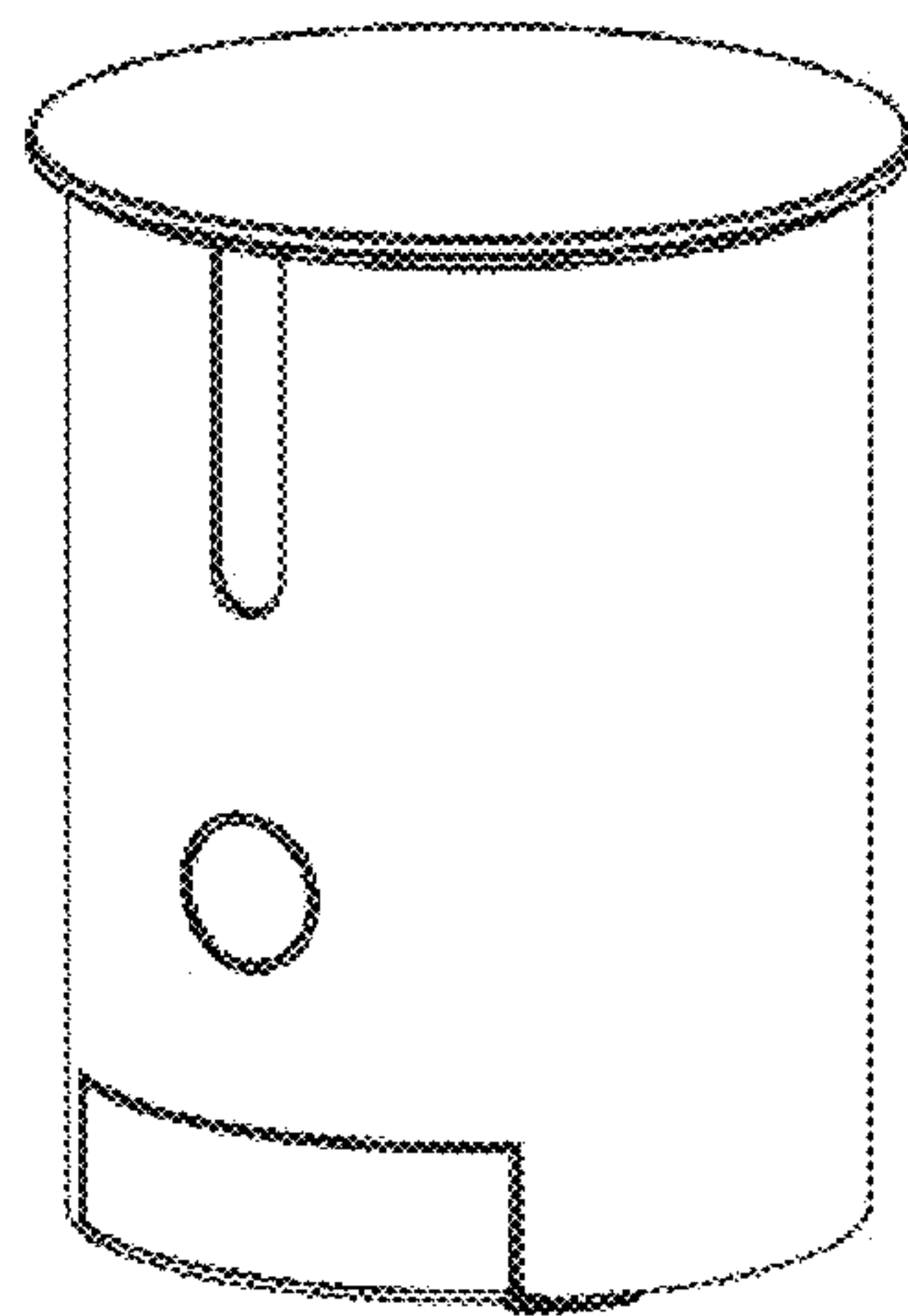


FIG. 1

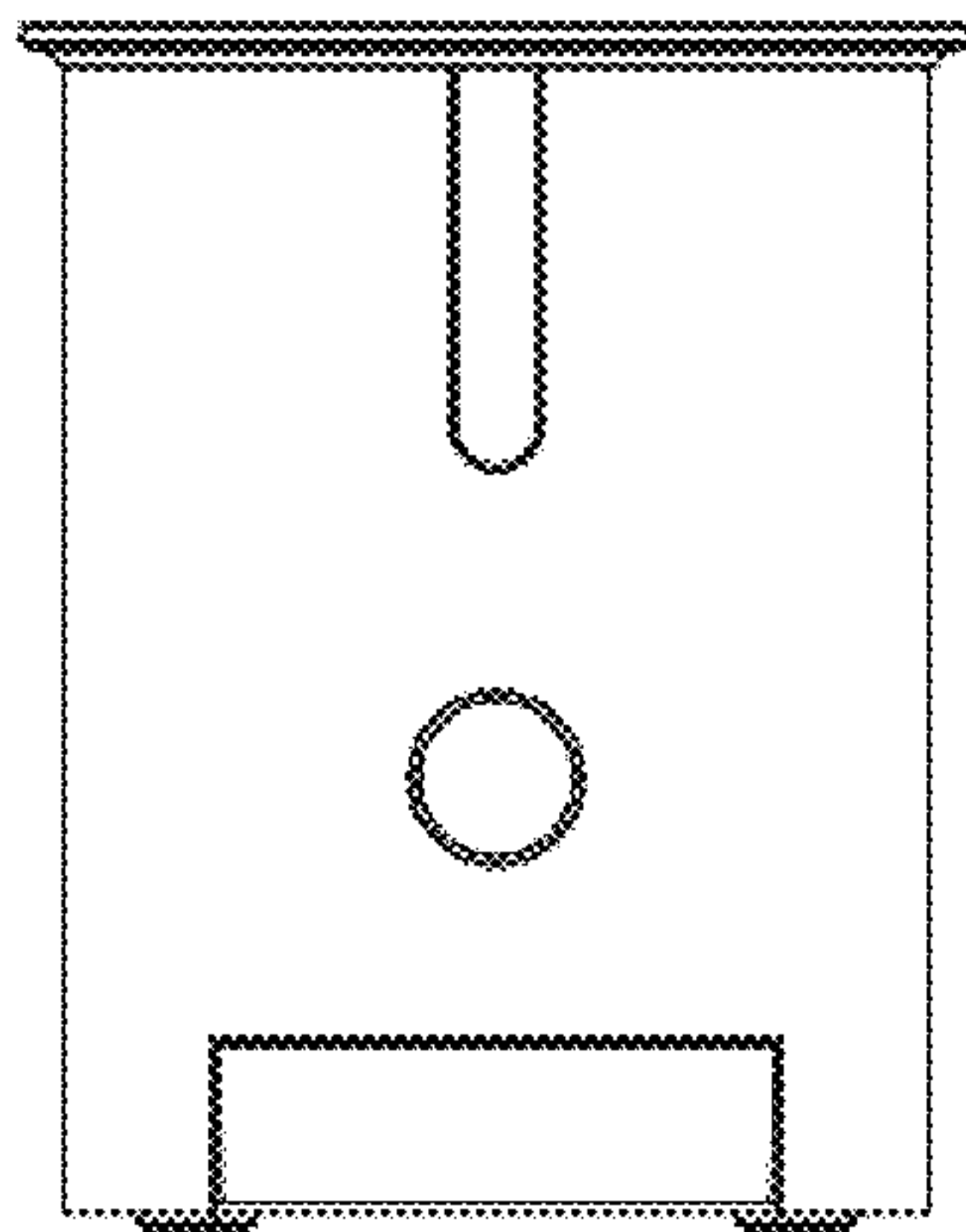


FIG. 2

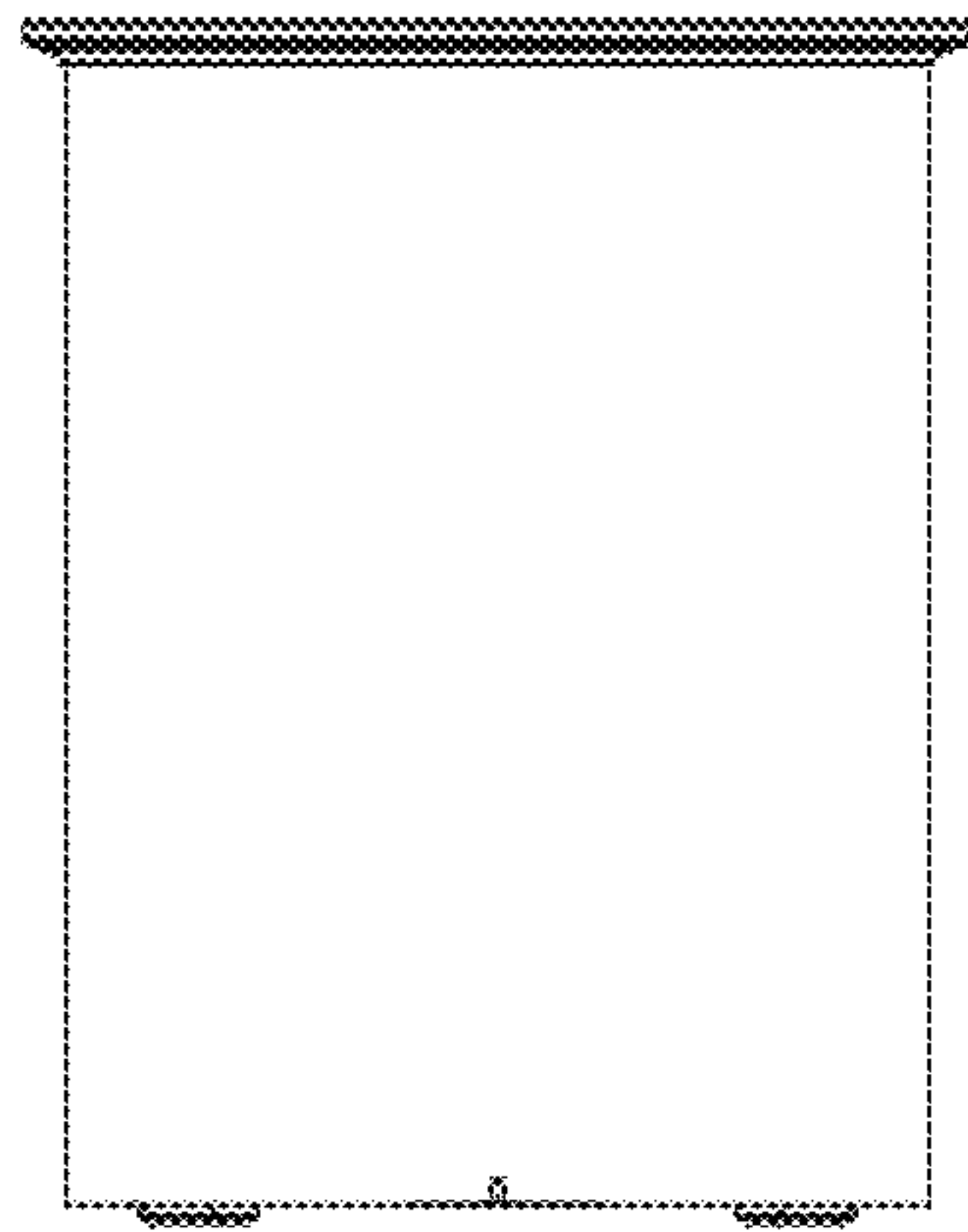


FIG. 3

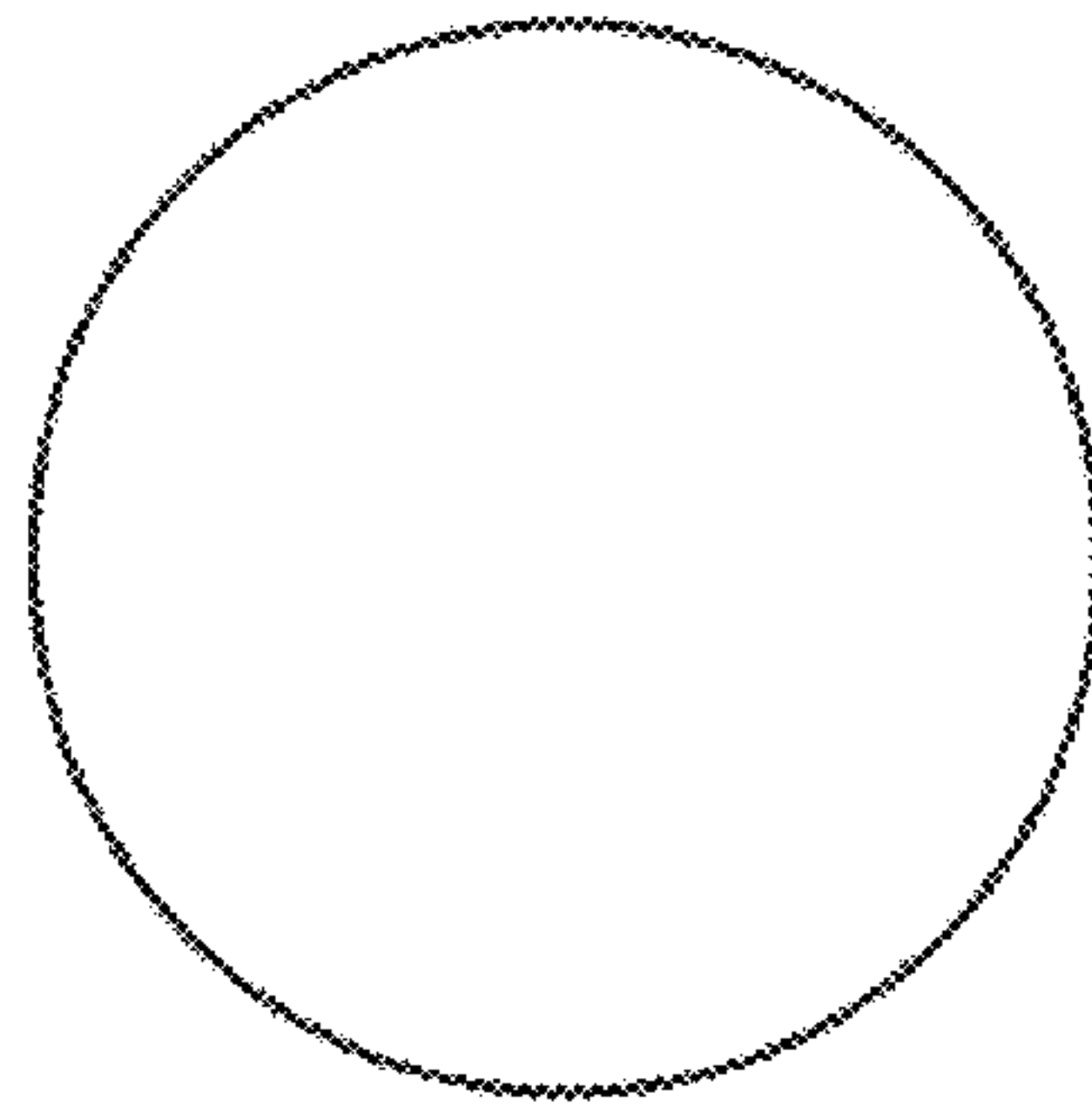


FIG. 4

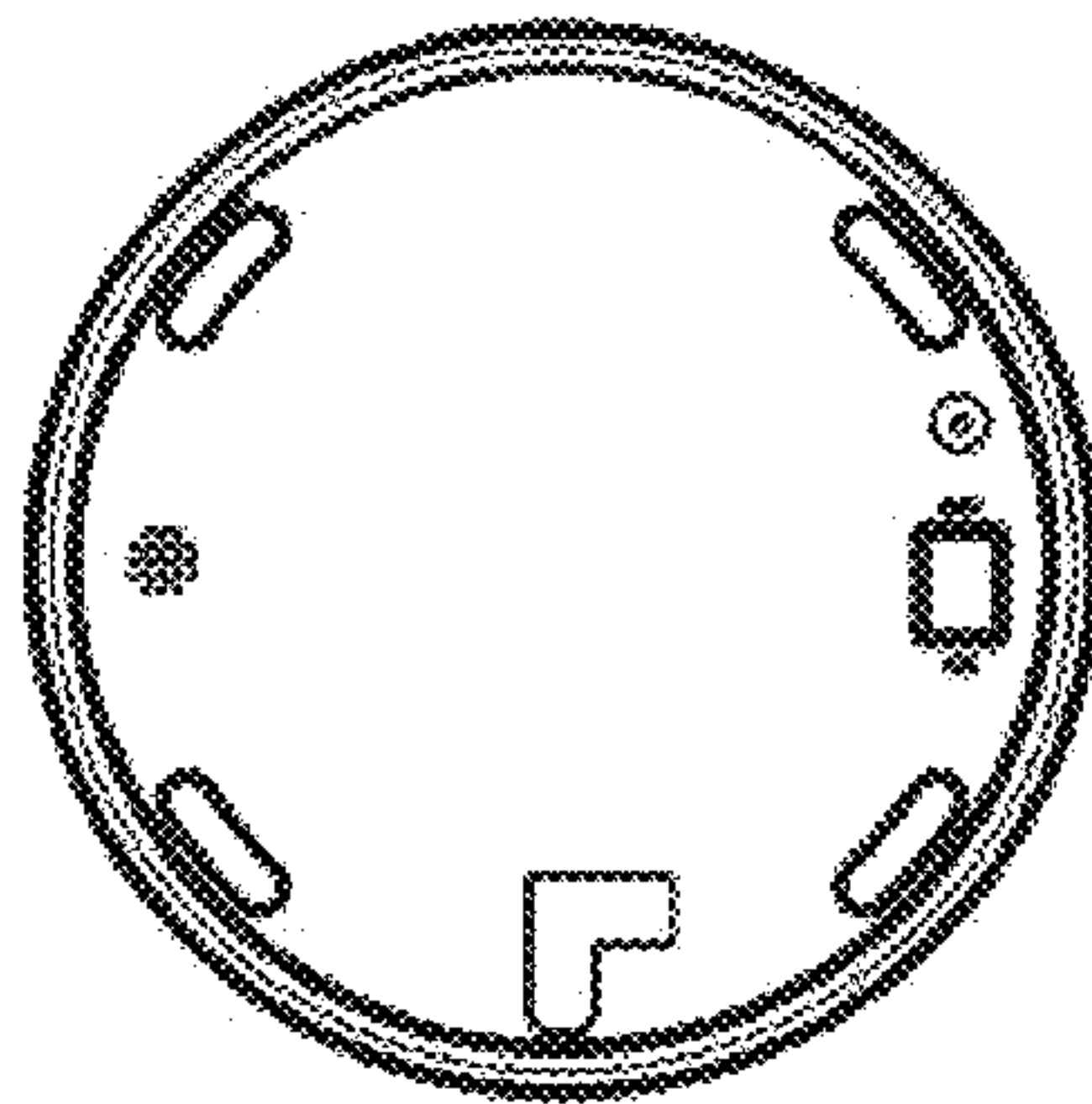


FIG. 5

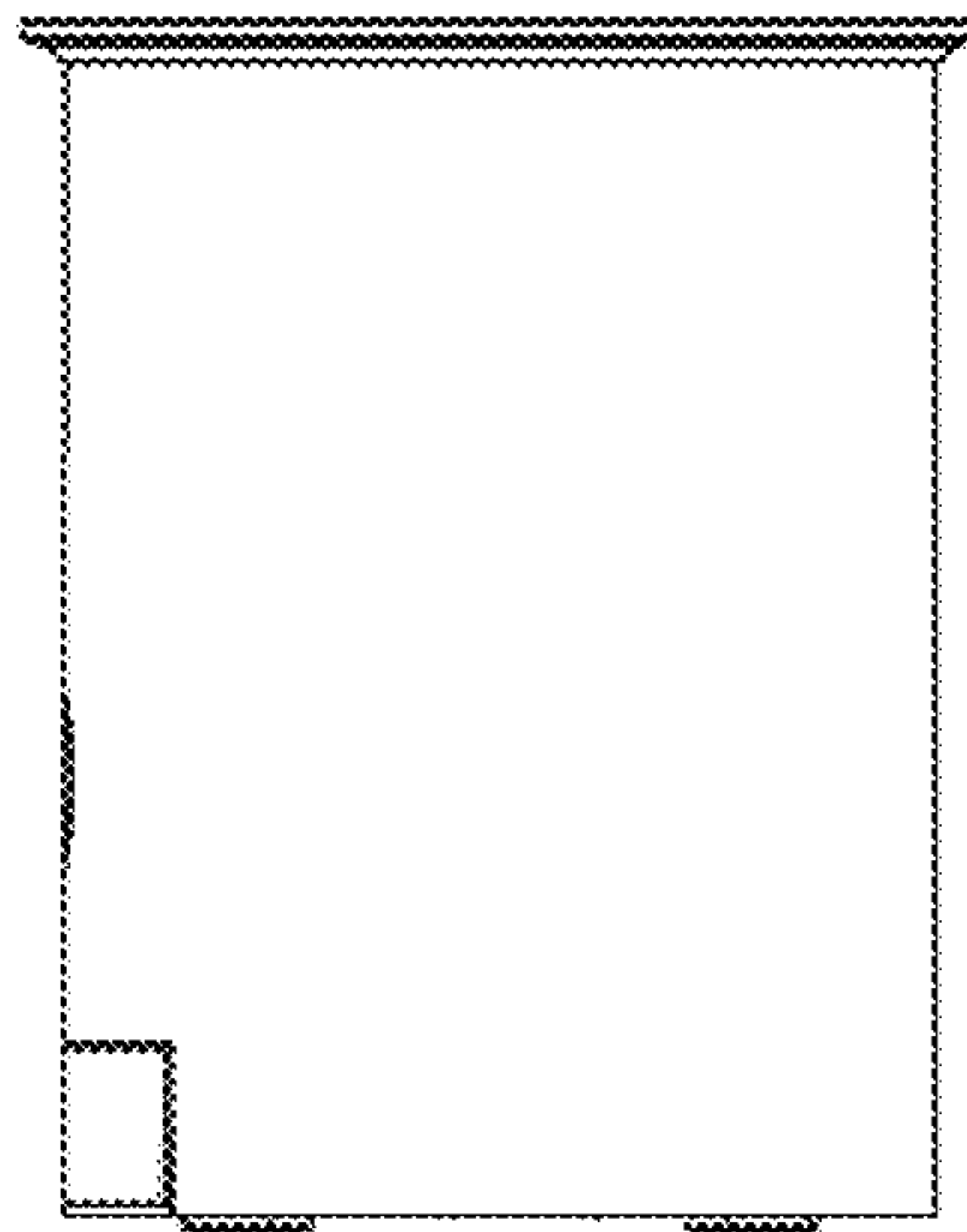


FIG. 6

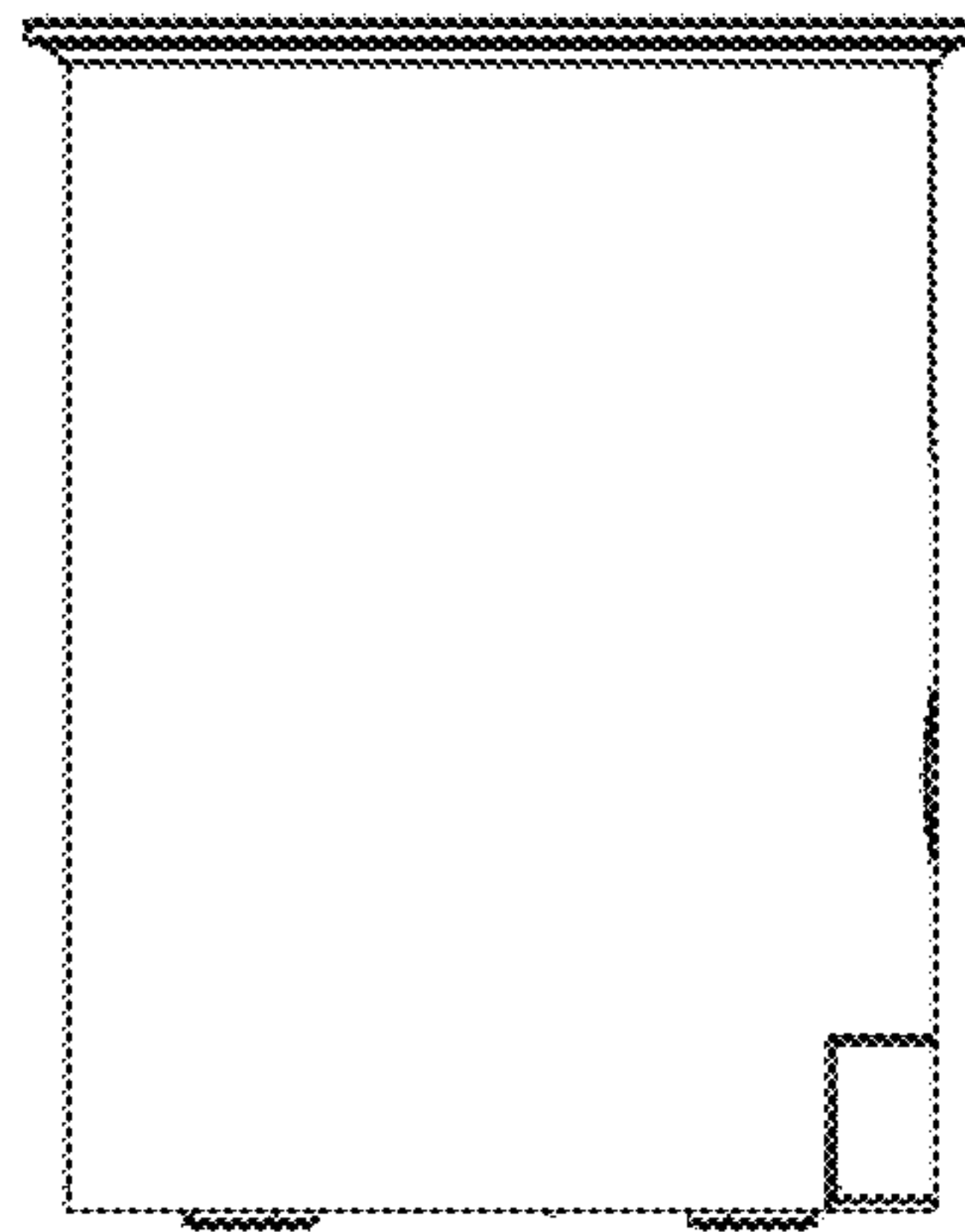


FIG. 7