



US00D852428S

(12) **United States Design Patent**  
**LeMieux**

(10) **Patent No.:** **US D852,428 S**

(45) **Date of Patent:** **\*\* Jun. 25, 2019**

(54) **NOZZLE TIP FOR FIRE SUPPRESSION EQUIPMENT**

D532,864 S \* 11/2006 Mather ..... D23/213  
D674,154 S \* 1/2013 Shin ..... D29/125

\* cited by examiner

(71) Applicant: **Dion C. LeMieux**, Paris, KY (US)

*Primary Examiner* — Randall H Gholson

(72) Inventor: **Dion C. LeMieux**, Paris, KY (US)

(74) *Attorney, Agent, or Firm* — Michael Coblenz

(\*\*) Term: **15 Years**

(21) Appl. No.: **29/654,737**

(57) **CLAIM**

(22) Filed: **Jun. 27, 2018**

The ornamental design for a nozzle tip for fire suppression equipment, as shown and described.

(51) **LOC (11) Cl.** ..... **29-02**

(52) **U.S. Cl.**

USPC ..... **D29/125**

(58) **Field of Classification Search**

**DESCRIPTION**

USPC ..... D23/355–369, 213, 214, 223, 224, 225,  
D23/231; D28/5, 6; 261/DIG. 17,  
261/DIG. 42, DIG. 65, DIG. 88, DIG. 89,  
261/DIG. 47, DIG. 55, DIG. 70; 392/356,  
392/390, 392, 394, 395; 239/34, 44, 53,  
239/55, 56, 326, 60, 308, 589; D9/687,  
D9/600, 695; D7/591; D29/125, 126,  
D29/129, 130; 169/7, 89; 222/210, 324  
CPC .. A62C 2/00; A62C 8/00; A62C 13/76; A62C  
13/64

See application file for complete search history.

FIG. 1 is a top front perspective view of a nozzle tip for fire suppression equipment showing the new design; FIG. 2 is a bottom rear perspective view thereof; FIG. 3 is a left side elevation view thereof, with the right side elevation view a mirror image thereof; FIG. 4 is a front elevation view thereof, with the rear elevation view a mirror image thereof; FIG. 5 is a top plan view thereof; FIG. 6 is a bottom plan view thereof; and, FIG. 7 is a left side perspective view thereof showing the nozzle tip for fire suppression equipment in position on representative fire suppression equipment.

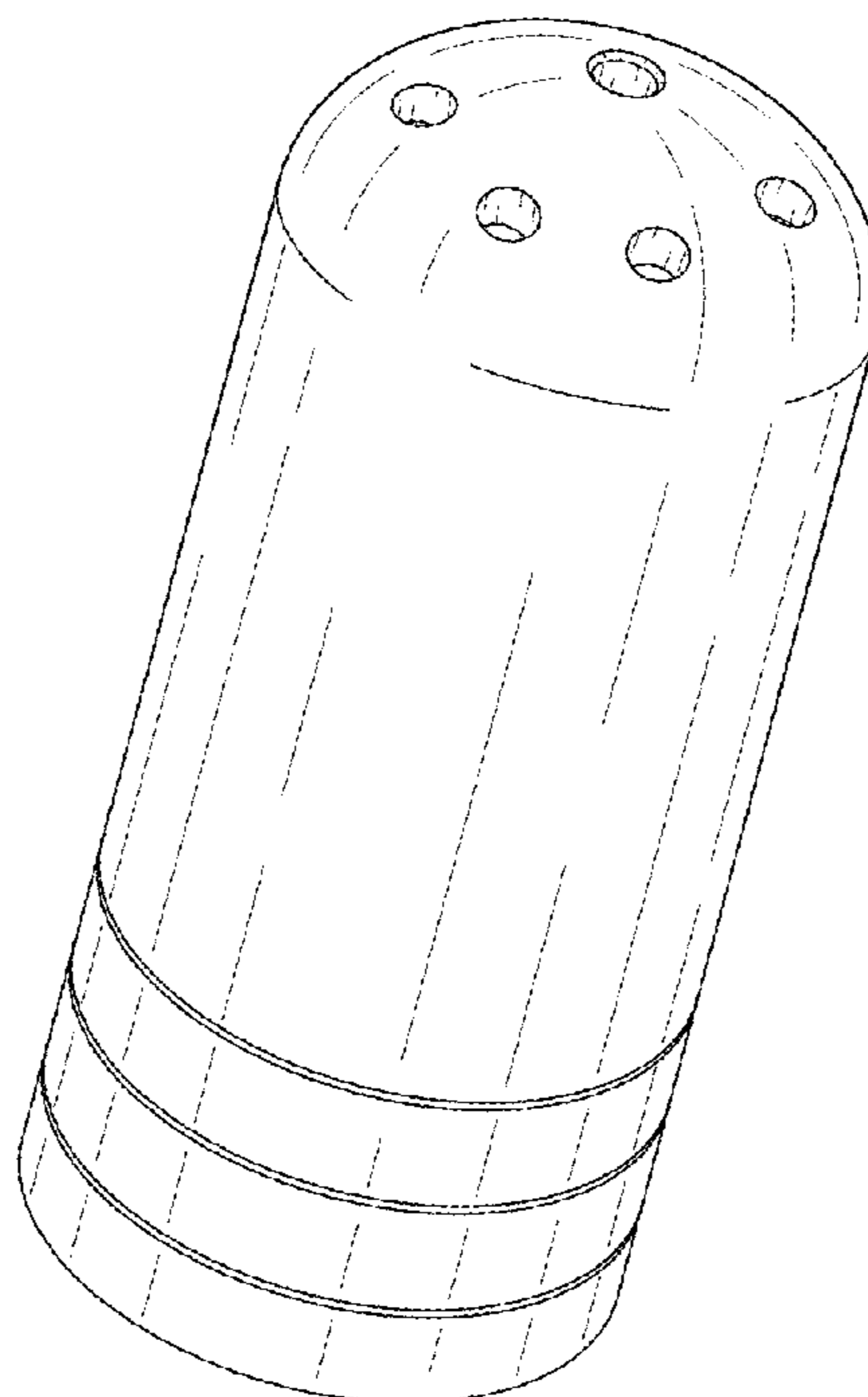
The broken lines depict environmental subject matter, are for illustration only, and form no part of the claimed design.

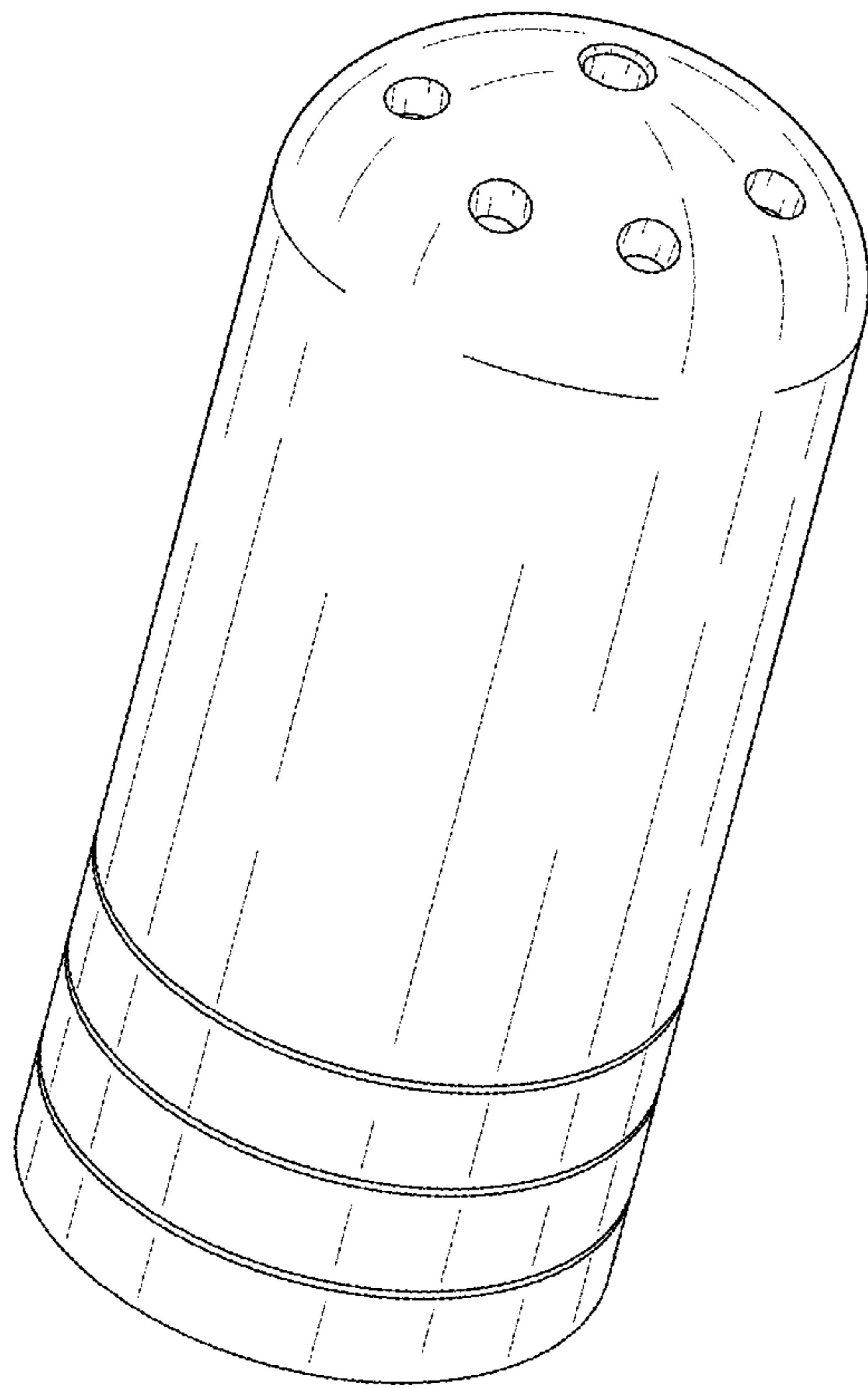
(56) **References Cited**

**U.S. PATENT DOCUMENTS**

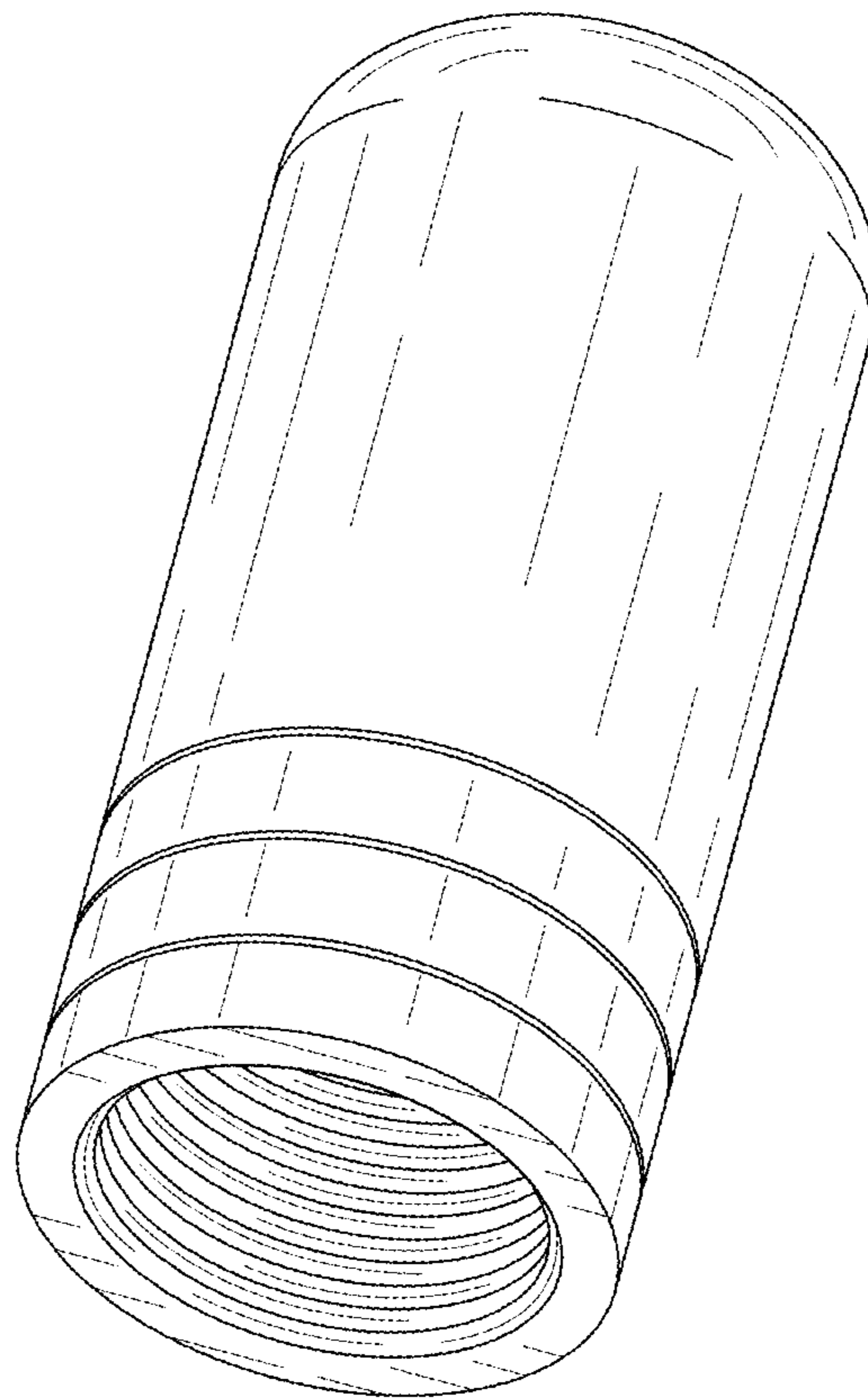
D404,115 S \* 1/1999 Wills ..... D23/213  
D497,407 S \* 10/2004 Mather ..... D23/213

**1 Claim, 4 Drawing Sheets**

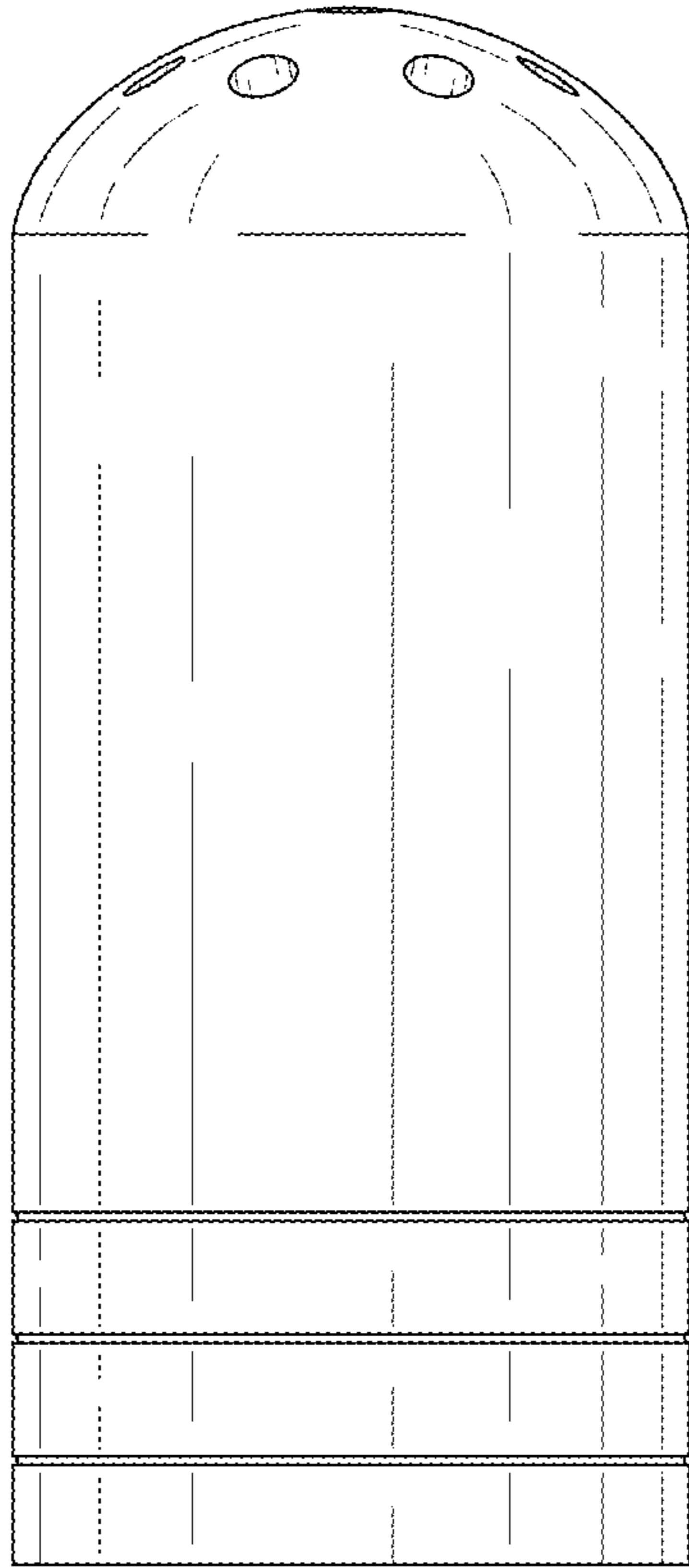




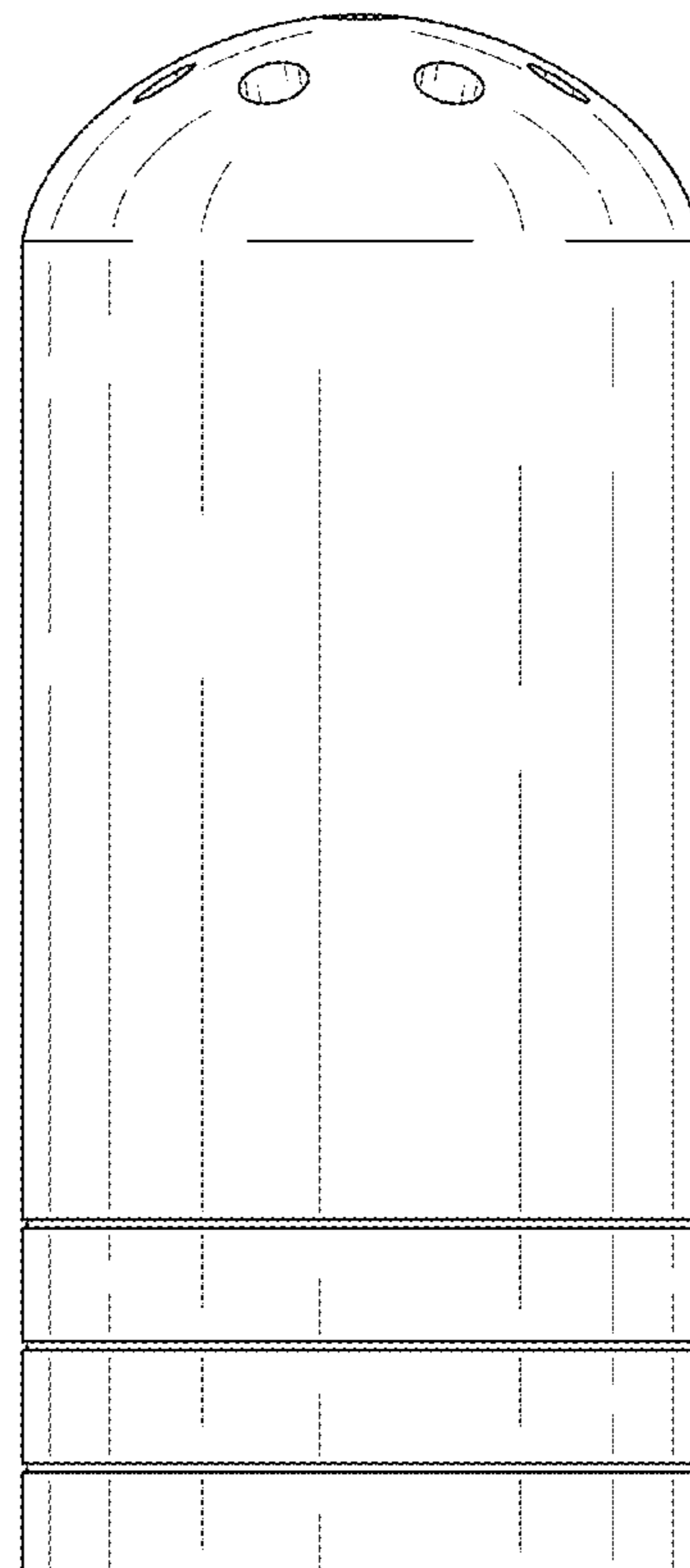
**FIG. 1**



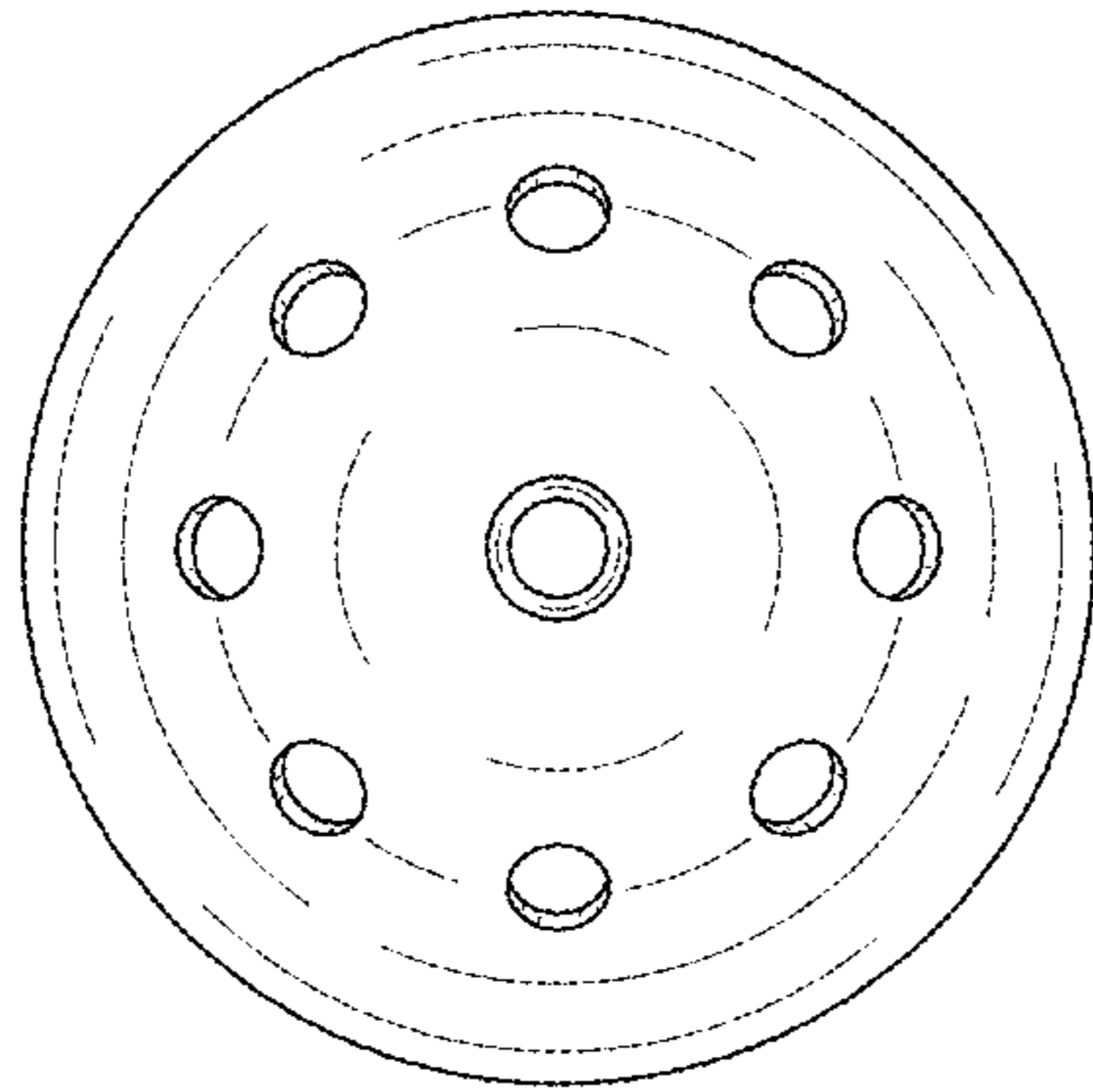
**FIG. 2**



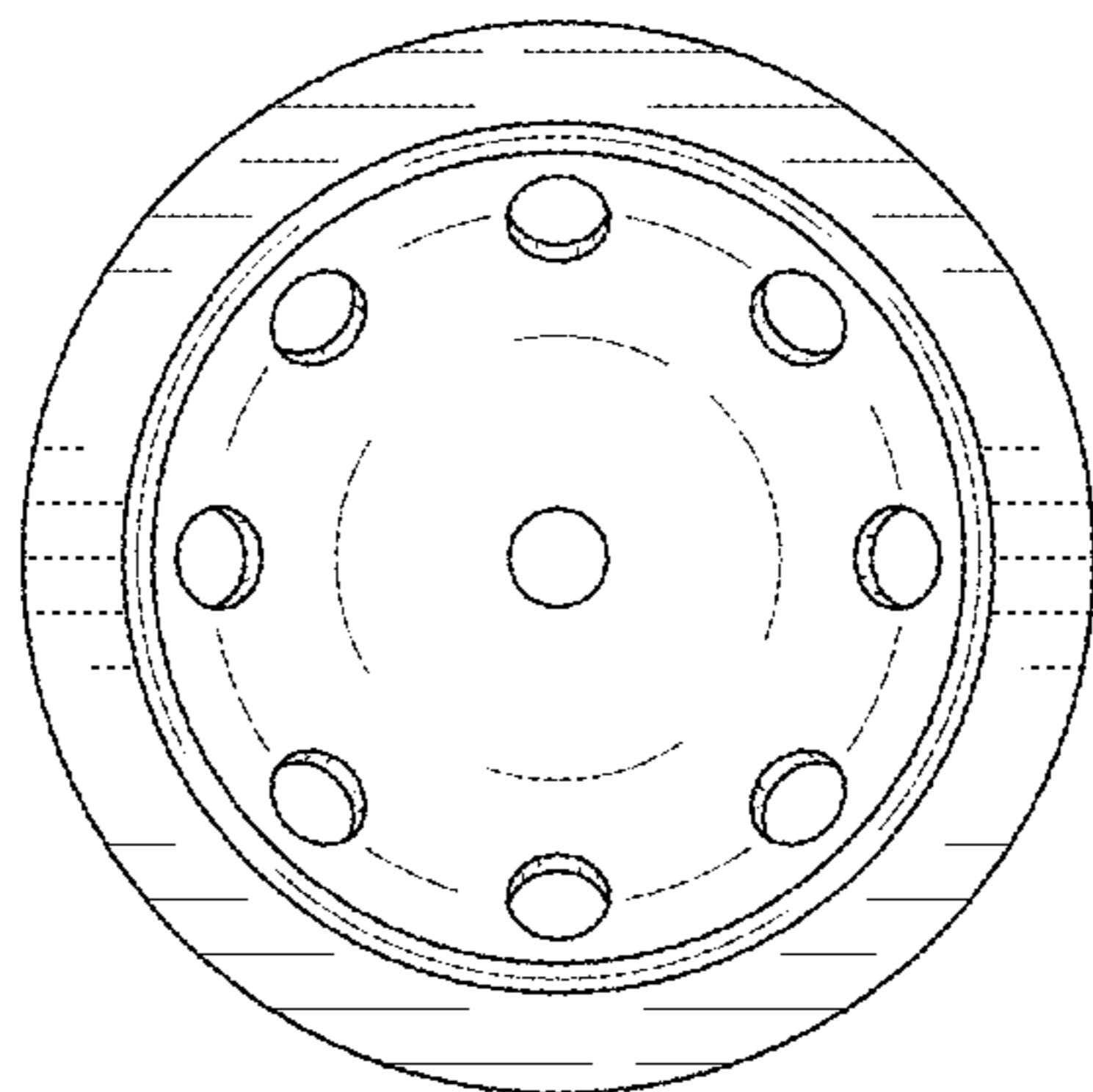
**FIG. 3**



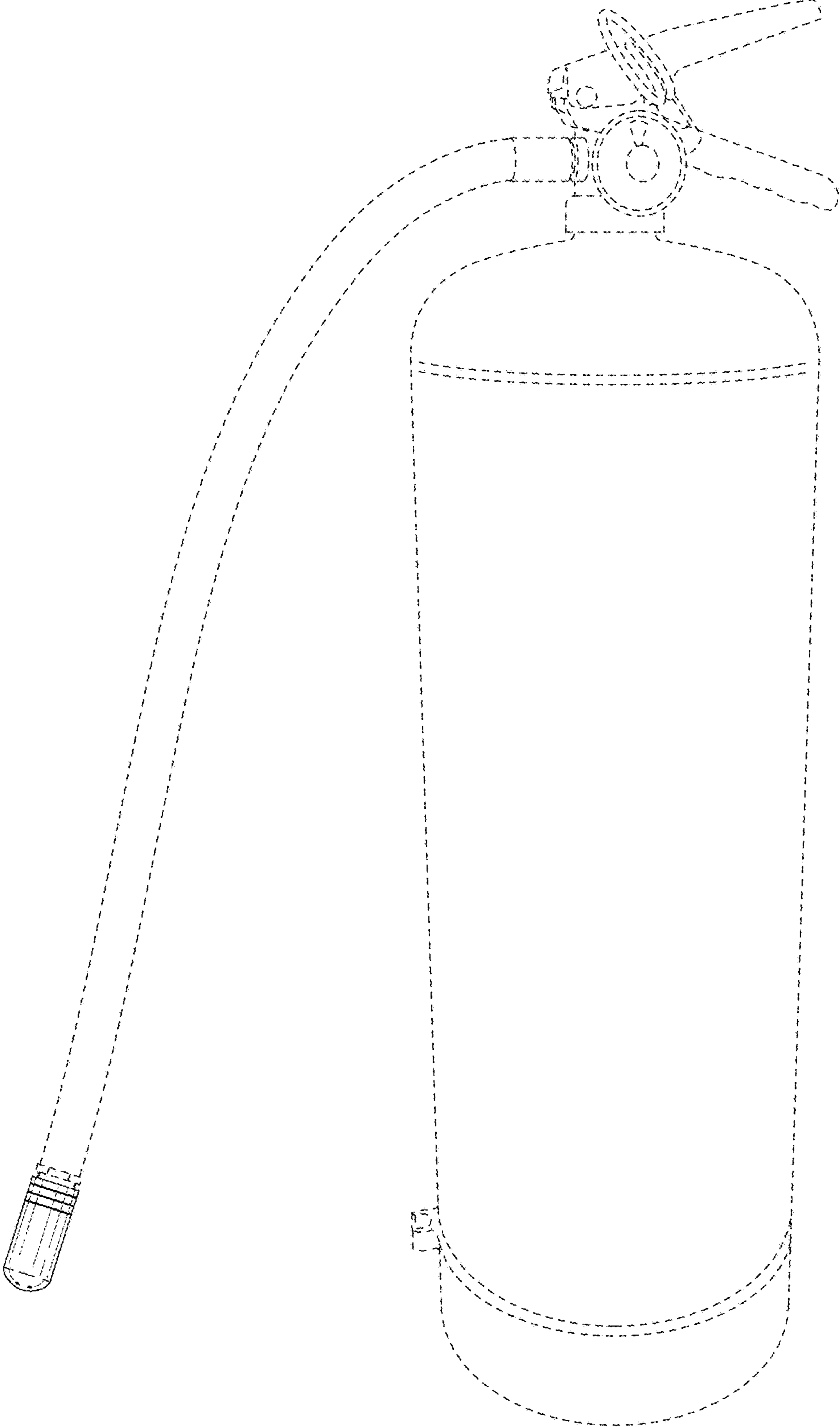
**FIG. 4**



**FIG. 5**



**FIG. 6**



**FIG. 7**