

US00D852426S

(12) **United States Design Patent** (10) **Patent No.:** **US D852,426 S**  
**Iacono** (45) **Date of Patent:** **\*\* Jun. 25, 2019**

(54) **RECESS FOR GOLF BALL MARKER**

5,996,116 A 12/1999 Tate  
6,259,399 B1 7/2001 Krasner  
6,422,955 B1\* 7/2002 Lopez ..... A42B 1/24  
473/406

(71) Applicant: **Zero Friction, LLC**, Oakbrook Terrace, IL (US)

(Continued)

(72) Inventor: **John R. Iacono**, Elmhurst, IL (US)

**FOREIGN PATENT DOCUMENTS**

(73) Assignee: **ZERO FRICTION, LLC**, Oakbrook Terrace, IL (US)

EP 2750120 A1 7/2014

(\*\*) Term: **15 Years**

**OTHER PUBLICATIONS**

(21) Appl. No.: **29/605,741**

Ravens Golf Glove, posted at cbssports.com, posting date May 25, 2017 on tineye.com, [online], [site visited Jul. 21, 2017]. Available from Internet, URL: [http://shop.cbssports.com/CBS\\_Baltimore\\_Ravens\\_Golf\\_and\\_More/pricerange2/\\$20\\_to\\_\\$40/Mens\\_White\\_Baltimore\\_Ravens\\_Left\\_Hand\\_Golf\\_Glove\\_and\\_Ball\\_Marker\\_Set](http://shop.cbssports.com/CBS_Baltimore_Ravens_Golf_and_More/pricerange2/$20_to_$40/Mens_White_Baltimore_Ravens_Left_Hand_Golf_Glove_and_Ball_Marker_Set) (Year: 2017).\*

(22) Filed: **May 30, 2017**

(Continued)

**Related U.S. Application Data**

(63) Continuation-in-part of application No. 15/217,617, filed on Jul. 22, 2016, now Pat. No. 9,794,422.

(51) **LOC (11) Cl.** ..... **02-06**

(52) **U.S. Cl.**  
USPC ..... **D29/116.2; D2/617**

(58) **Field of Classification Search**  
USPC ..... D29/100, 113-115, 116.2; D2/617  
CPC ..... A63B 57/207; A63B 71/146  
See application file for complete search history.

*Primary Examiner* — George D. Kirschbaum

*Assistant Examiner* — Maria J Edwards

(74) *Attorney, Agent, or Firm* — Daniel A. Tallitsch;  
Baker McKenzie LLP

(56) **References Cited**

**U.S. PATENT DOCUMENTS**

- D266,445 S \* 10/1982 Yokotaki ..... D21/718
- 4,489,444 A \* 12/1984 Graham ..... A63B 71/146
- D299,563 S \* 1/1989 Boone ..... D29/116.2
- D323,911 S \* 2/1992 Dunn ..... D29/116.2
- D331,090 S \* 11/1992 Cellura ..... D21/793
- 5,305,999 A \* 4/1994 Tate ..... A63B 57/207
- 473/406
- D350,179 S \* 8/1994 Johnson ..... D21/794
- D365,133 S \* 12/1995 Belmont ..... D21/794
- D371,640 S \* 7/1996 Boone ..... D29/116.2
- 5,694,261 A 12/1997 Deal
- 5,825,327 A 10/1998 Krasner

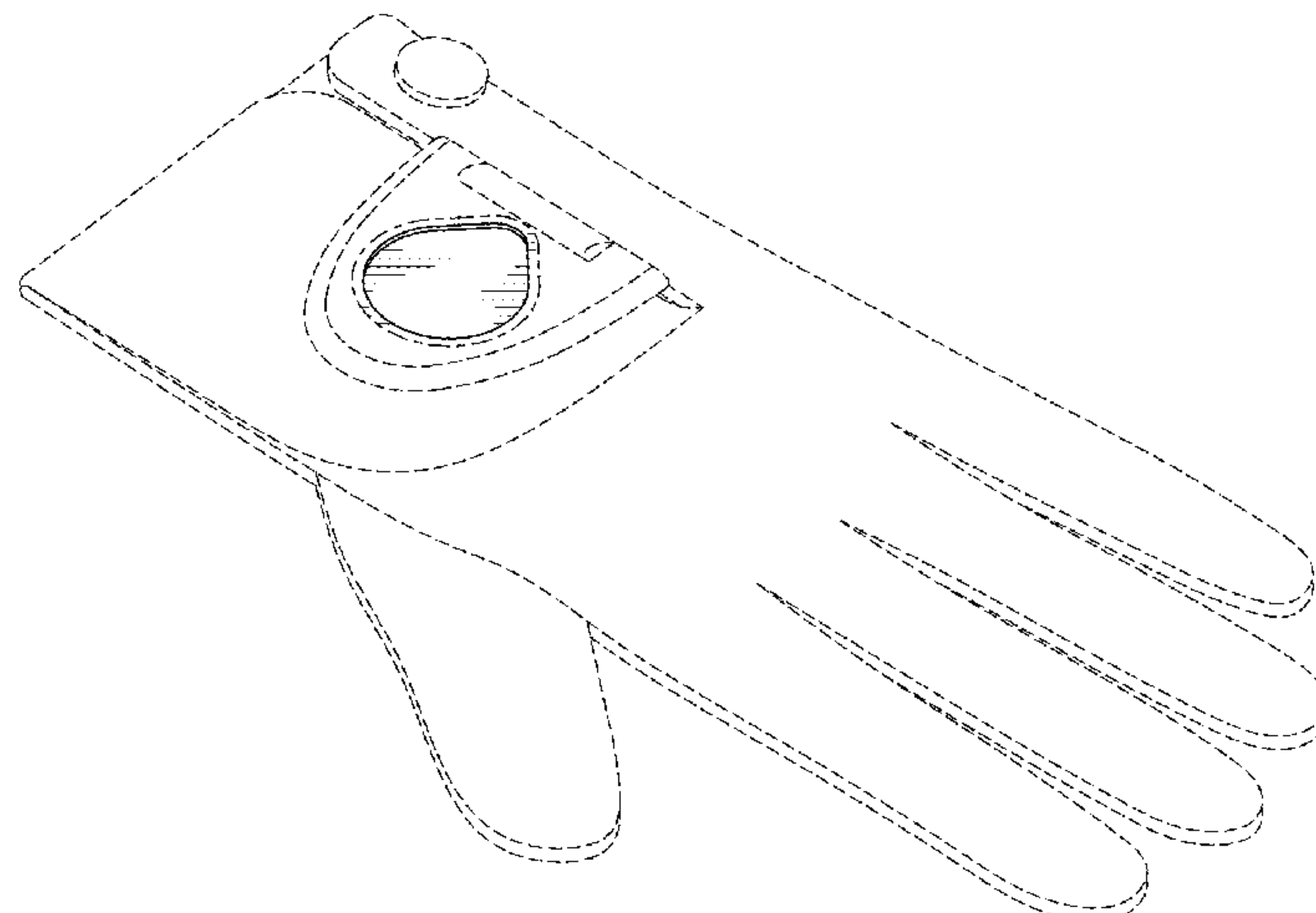
(57) **CLAIM**

The ornamental design for a recess for golf ball marker, as shown and described.

**DESCRIPTION**

FIG. 1 is a perspective view showing my new design; FIG. 2 is a top plan view thereof; FIG. 3 is a left elevational view thereof; FIG. 4 is a right elevational view thereof; FIG. 5 is an end elevational view thereof; and, FIG. 6 is an opposite end elevational view thereof. The dash-dash broken lines in the drawings illustrate environmental structure and form no part of the claimed design. The dash-dot broken lines in the drawings represent the boundary of the claim and form no part of the claimed design.

**1 Claim, 4 Drawing Sheets**



(56)

References Cited

U.S. PATENT DOCUMENTS

D468,526 S \* 1/2003 Morrissey ..... D3/221  
 6,519,776 B1 \* 2/2003 Davenport ..... A63B 71/146  
 2/161.2  
 6,553,575 B1 \* 4/2003 Davenport ..... A63B 71/146  
 2/161.2  
 D474,863 S \* 5/2003 Sun ..... D29/123  
 6,582,328 B2 6/2003 Kuta et al.  
 6,788,200 B1 9/2004 Jamel et al.  
 D497,456 S \* 10/2004 Sun ..... D29/116.2  
 D525,394 S \* 7/2006 Litke ..... D29/116.2  
 7,124,447 B2 10/2006 Arganese  
 D551,807 S \* 9/2007 Litke ..... D29/117.1  
 D584,004 S \* 12/2008 Murphy ..... D29/116.2  
 7,489,241 B2 2/2009 Miettinen et al.  
 D588,670 S \* 3/2009 Walz ..... D21/794  
 D594,603 S \* 6/2009 Murphy ..... D29/116.2  
 D595,459 S \* 6/2009 Atherton ..... D29/116.2  
 D596,806 S \* 7/2009 Murphy ..... D29/116.2  
 D596,807 S \* 7/2009 Walding ..... D29/116.2  
 7,714,709 B1 5/2010 Daniel  
 D637,354 S \* 5/2011 Bacon ..... D29/116.2  
 D637,764 S \* 5/2011 Widdemer ..... D29/116.2  
 7,959,351 B1 6/2011 Thorpe  
 D641,108 S \* 7/2011 Voravan ..... D29/123  
 8,083,360 B2 12/2011 Bartlett  
 8,245,321 B2 8/2012 Ambrosio et al.  
 8,253,586 B1 8/2012 Matak  
 D675,695 S \* 2/2013 Wallen ..... D21/794  
 8,562,165 B2 10/2013 Thompson et al.  
 D694,662 S \* 12/2013 Buckley ..... D11/3  
 D700,747 S \* 3/2014 Litke ..... D2/619  
 D701,351 S \* 3/2014 Voravan ..... D2/619

8,860,584 B1 10/2014 Matak  
 8,957,785 B1 2/2015 Matak et al.  
 8,992,347 B2 3/2015 Moran et al.  
 9,095,761 B2 8/2015 Trenkle et al.  
 D739,088 S \* 9/2015 Litke ..... D29/116.2  
 9,123,216 B2 9/2015 Chang et al.  
 9,155,349 B2 10/2015 Madore et al.  
 9,189,022 B2 11/2015 Burgess  
 9,195,781 B2 11/2015 Savarese et al.  
 9,295,295 B2 3/2016 DuChene et al.  
 D816,178 S \* 4/2018 Goserud ..... D21/794  
 2005/0009584 A1 1/2005 Park et al.  
 2008/0109934 A1 \* 5/2008 Widdemer ..... A41D 19/01523  
 2/159  
 2008/0276348 A1 11/2008 England et al.  
 2010/0062740 A1 3/2010 Ellis et al.  
 2010/0095427 A1 4/2010 Romiti  
 2010/0271367 A1 10/2010 Vaden et al.  
 2011/0043496 A1 2/2011 Avalani  
 2011/0225703 A1 9/2011 Maple et al.  
 2013/0061369 A1 \* 3/2013 Lim ..... A63B 71/146  
 2/161.2  
 2013/0276206 A1 10/2013 DuChene et al.  
 2014/0073376 A1 3/2014 Noble Nava  
 2016/0008694 A1 1/2016 Griffiths et al.  
 2017/0340933 A1 \* 11/2017 Weatherbee, Jr. ... A63B 57/353

OTHER PUBLICATIONS

Callaway Opti Flex Glove, posted at goldbondpromos.com, posting date not given, [online], [site visited Jul. 21, 2017]. Available from Internet, URL: <https://goldbondpromos.com/product/callaway-opti-flex-glove/> (Year: 2018).\*

\* cited by examiner

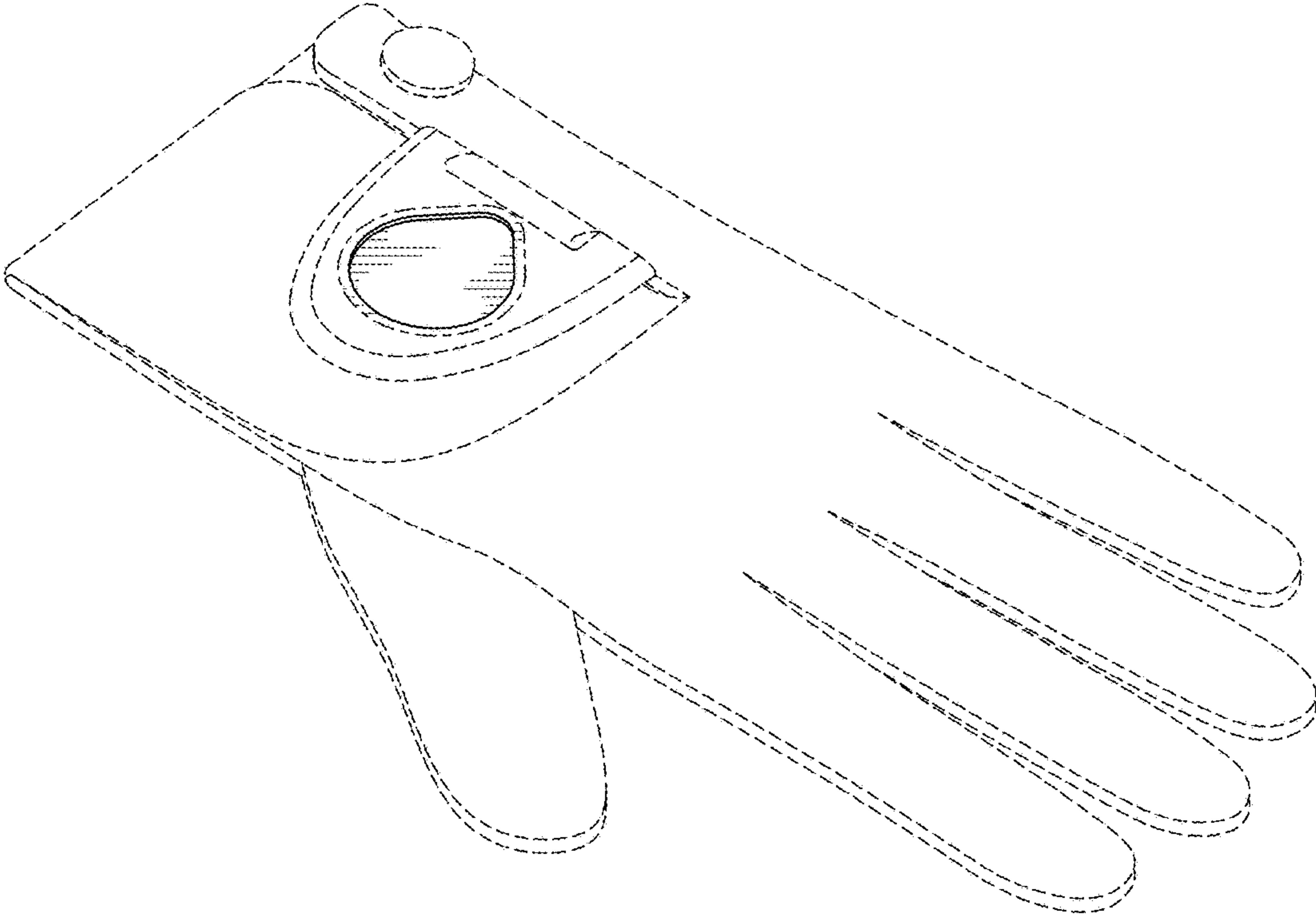


FIG. 1

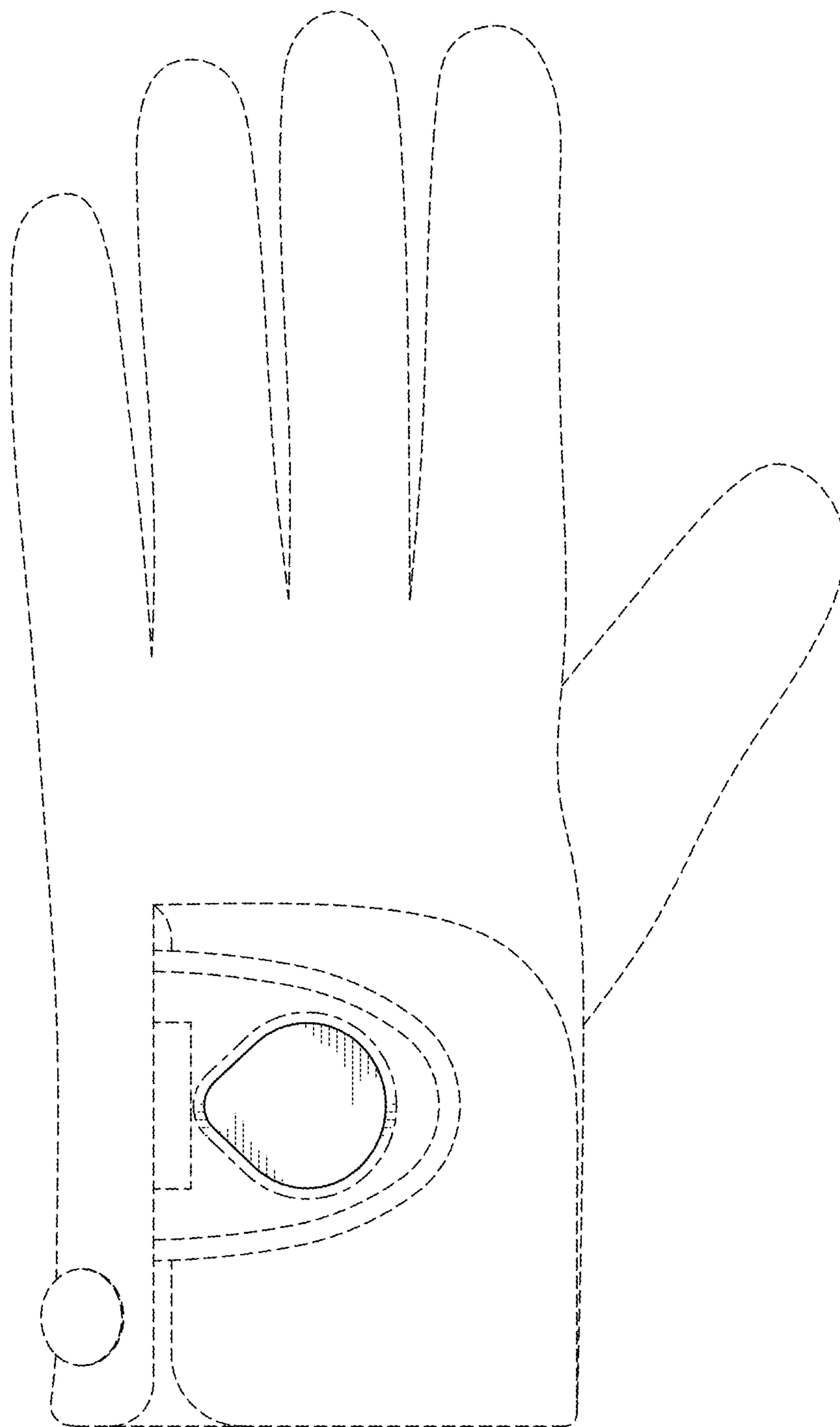


FIG. 2

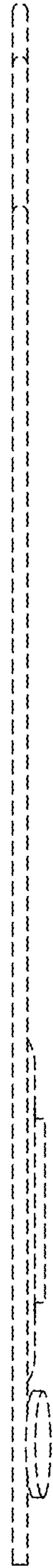


FIG. 3

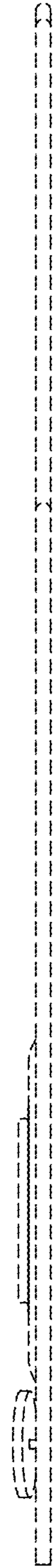


FIG. 4

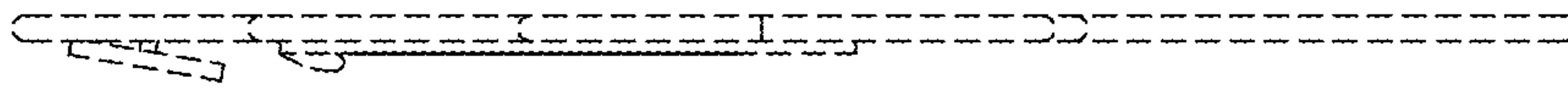


FIG. 5

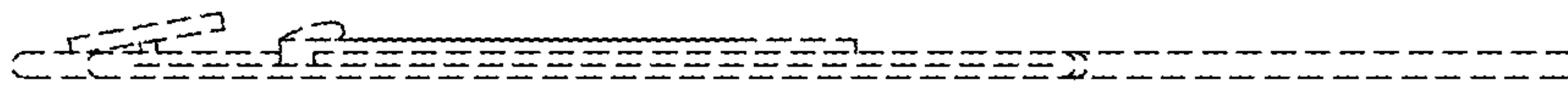


FIG. 6