



US00D852425S

(12) **United States Design Patent**
Cuevas et al.

(10) **Patent No.:** **US D852,425 S**

(45) **Date of Patent:** **** Jun. 25, 2019**

(54) **FACE MASK WITH LIGHTS**

(71) Applicants: **Leonardo Jairo Cuevas**, West Hempstead, NY (US); **Lia Carolina Cuevas**, Oakland Gardens, NY (US)

(72) Inventors: **Leonardo Jairo Cuevas**, West Hempstead, NY (US); **Lia Carolina Cuevas**, Oakland Gardens, NY (US)

(**) Term: **15 Years**

(21) Appl. No.: **29/608,119**

(22) Filed: **Jun. 19, 2017**

(51) **LOC (11) Cl.** **29-02**

(52) **U.S. Cl.**
USPC **D29/111**

(58) **Field of Classification Search**
USPC D29/100, 102, 105, 106, 107, 110, 122, D29/108; D2/878, 880, 881; D24/110.1; 2/455, 456, 410, 423, 424, 425.9, 171, 2/173, 206, 207, 906; 128/857, 858, 128/201.22, 201.23, 201.24, 206.21
CPC .. A42B 3/18; A42B 3/185; A42B 3/20; A42B 3/32; A42B 3/322; A42B 3/00; A63B 71/10; A63B 2071/105; A61F 9/04; A61F 9/045; A61F 9/06

See application file for complete search history.

(56) **References Cited**

U.S. PATENT DOCUMENTS

D434,879 S	*	12/2000	Cole	D29/108
D440,302 S	*	4/2001	Wolfe	D24/110.1
D666,364 S	*	8/2012	Votel	D29/108
D670,037 S	*	10/2012	Chen	D29/108
D670,038 S	*	10/2012	Andrews	D29/108
D671,688 S	*	11/2012	Sullivan, II	A41D 13/1146
					D29/108
D706,489 S	*	6/2014	Huffman	D29/108

D726,970 S	*	4/2015	Martin	D29/108
D781,503 S	*	3/2017	Rose	D29/108
9,643,048 B1	*	5/2017	Danford	A61M 16/20
D803,482 S	*	11/2017	Greenblat	D29/108
D811,581 S	*	2/2018	Danford	D24/110.1
2017/0144000 A1	*	5/2017	Danford	A62B 7/10

OTHER PUBLICATIONS

ETsy "R4VE LED Mask", httpswww.etsy.comlisting236693860r4ve-led-maskga_order=most_relevant&ga_search_type=all&ga_view_type=gallery&ga_search_query=led%20face%20mask&ref=sc_gallery_4&plkey=c073bc8b2b397dc82acd2c6e421984710ba5275b236693860, as downloaded from the Internet on Jun. 19, 2017.

* cited by examiner

Primary Examiner — Elizabeth J Oswecki
(74) *Attorney, Agent, or Firm* — Quickpatents, LLC; Kevin Prince

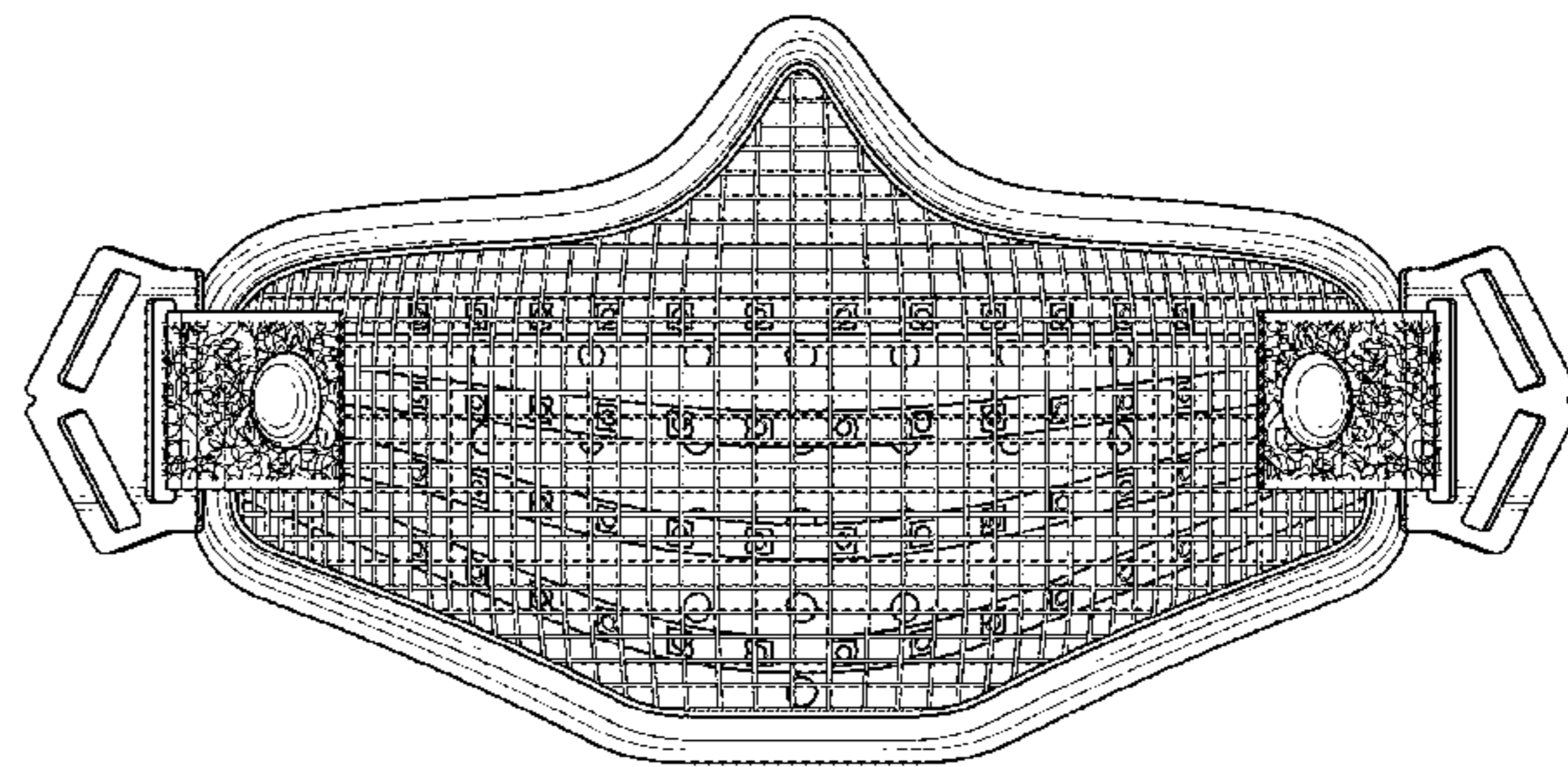
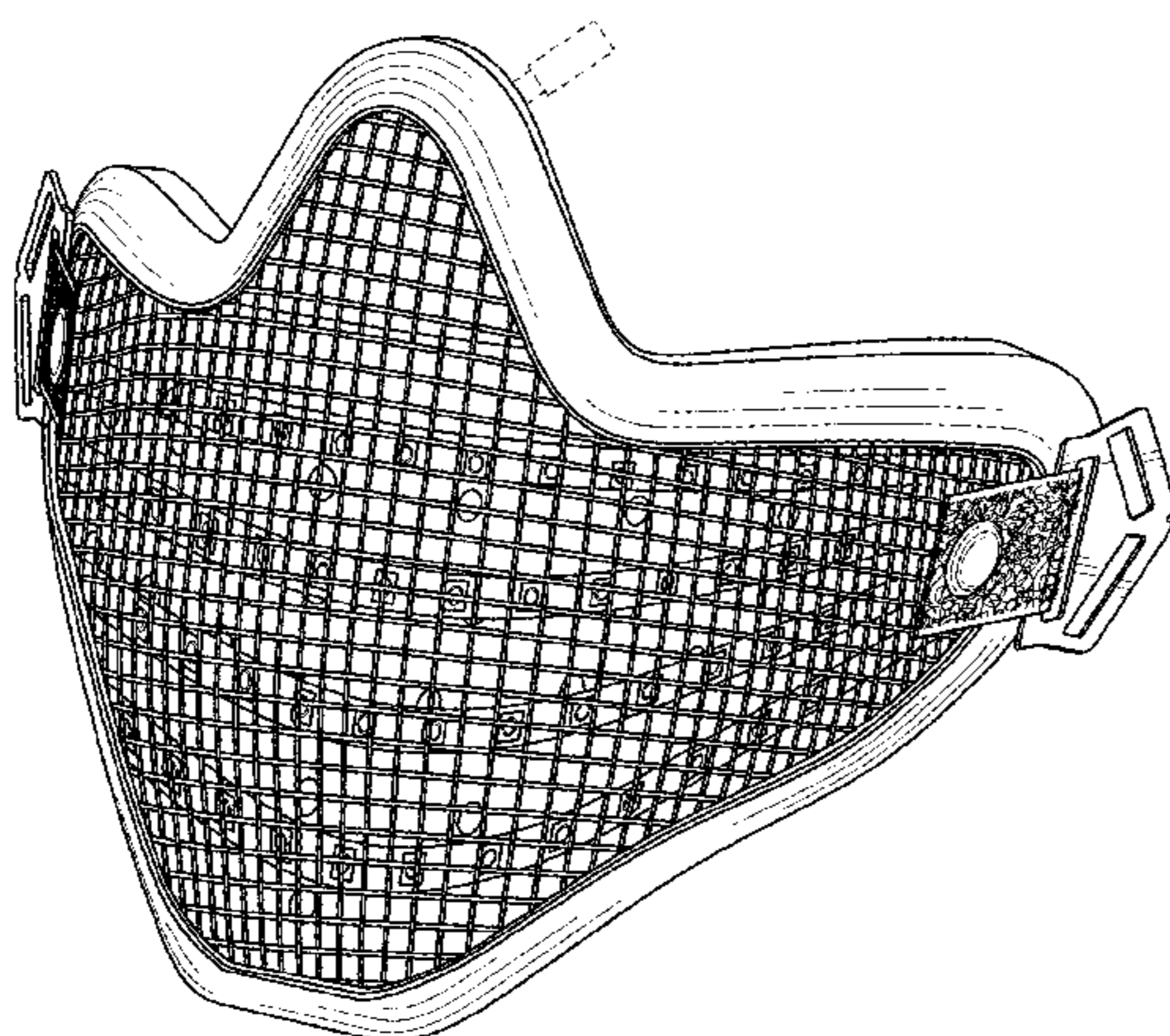
(57) **CLAIM**

The ornamental design for a face mask with lights, as shown and described.

DESCRIPTION

FIG. 1 is a perspective view of a face mask with lights, showing our new design;
FIG. 2 is a front elevational view thereof;
FIG. 3 is a rear elevational view thereof;
FIG. 4 is a left-side elevational view thereof;
FIG. 5 is a right-side elevational view thereof;
FIG. 6 is a top plan view thereof; and,
FIG. 7 is a bottom plan view thereof.
The broken lines showing a battery cable and text in the figures depict environmental matter and form no part of the claimed design.

1 Claim, 4 Drawing Sheets



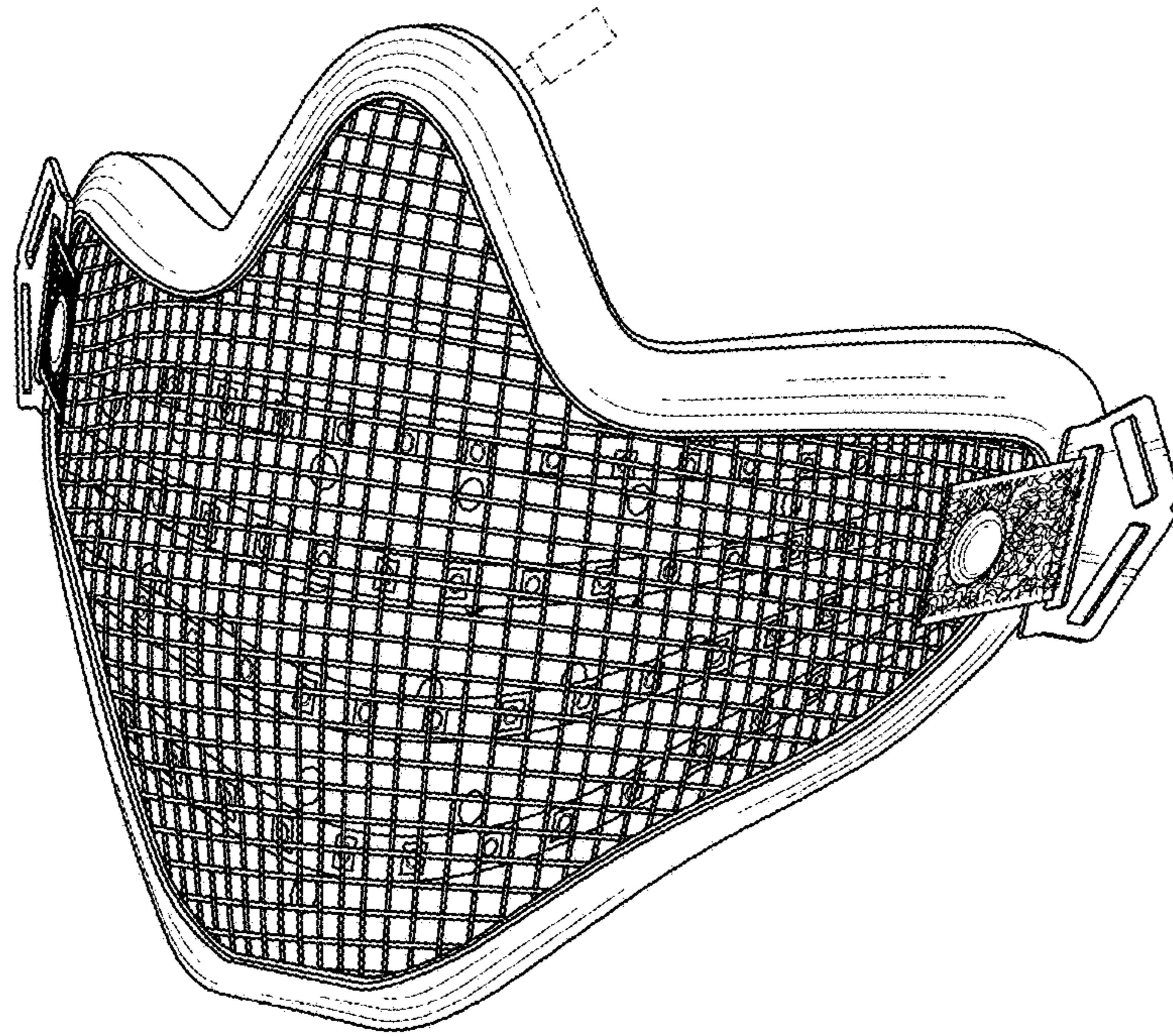


FIG. 1

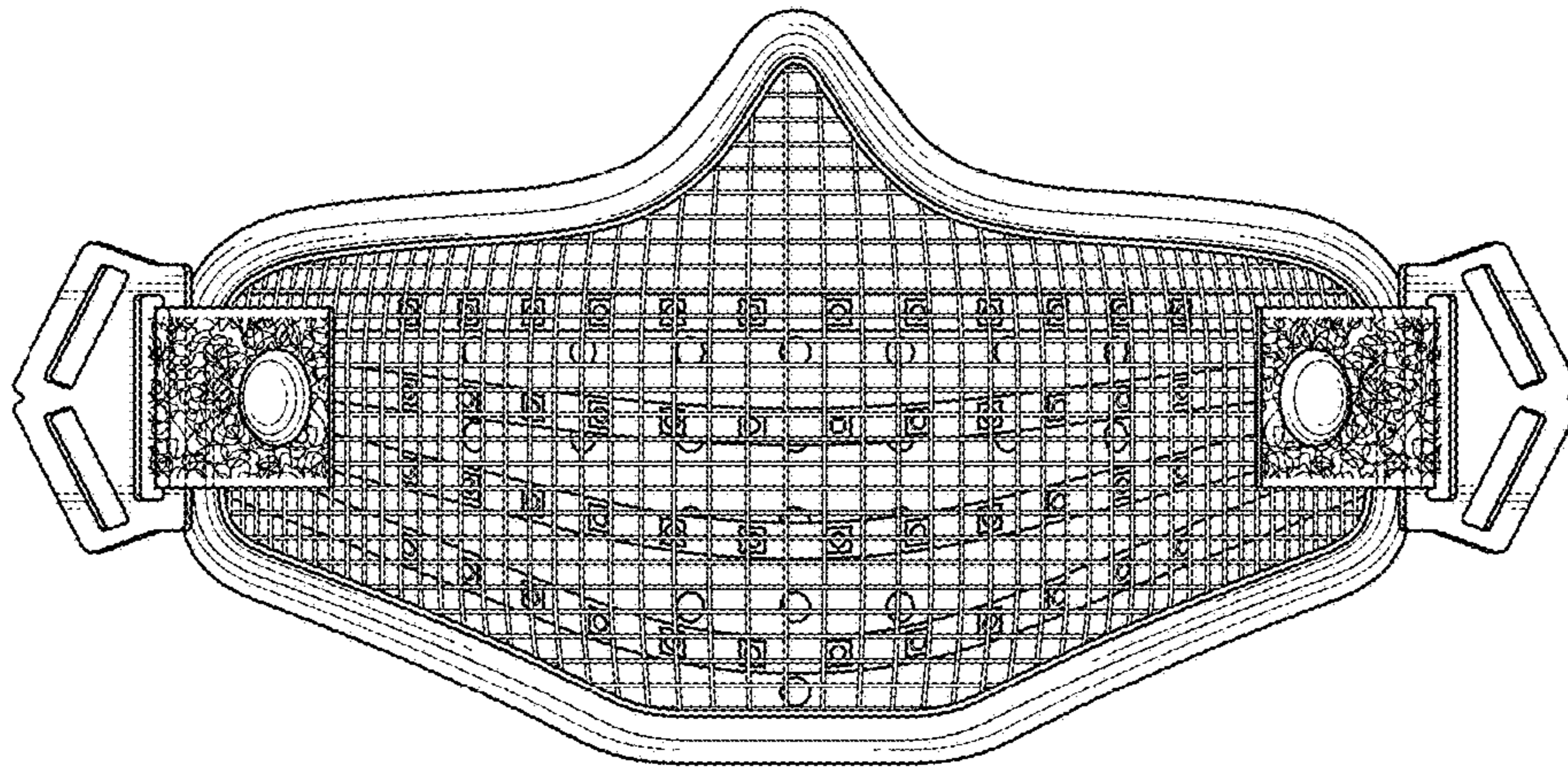


FIG. 2

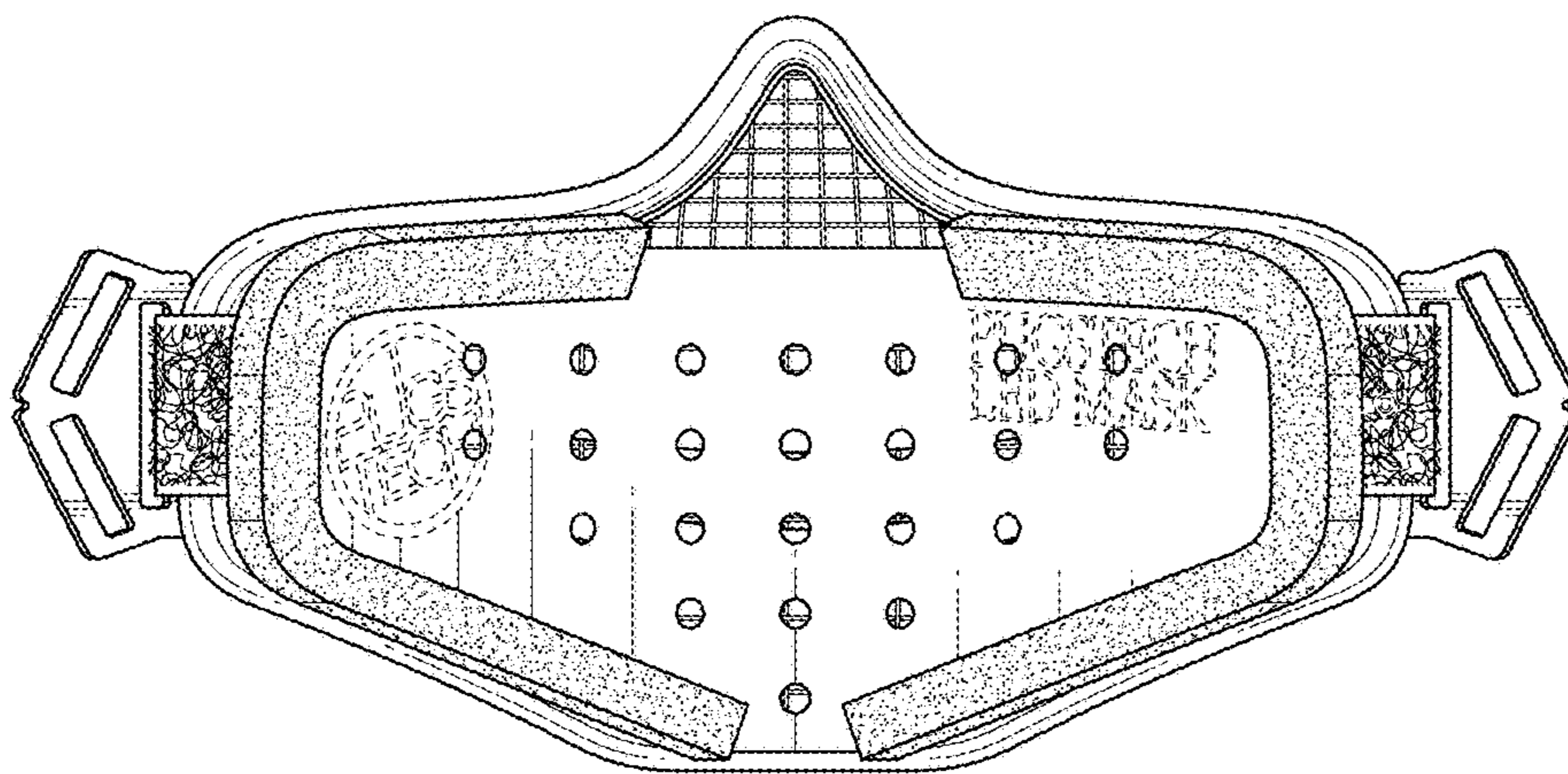


FIG. 3

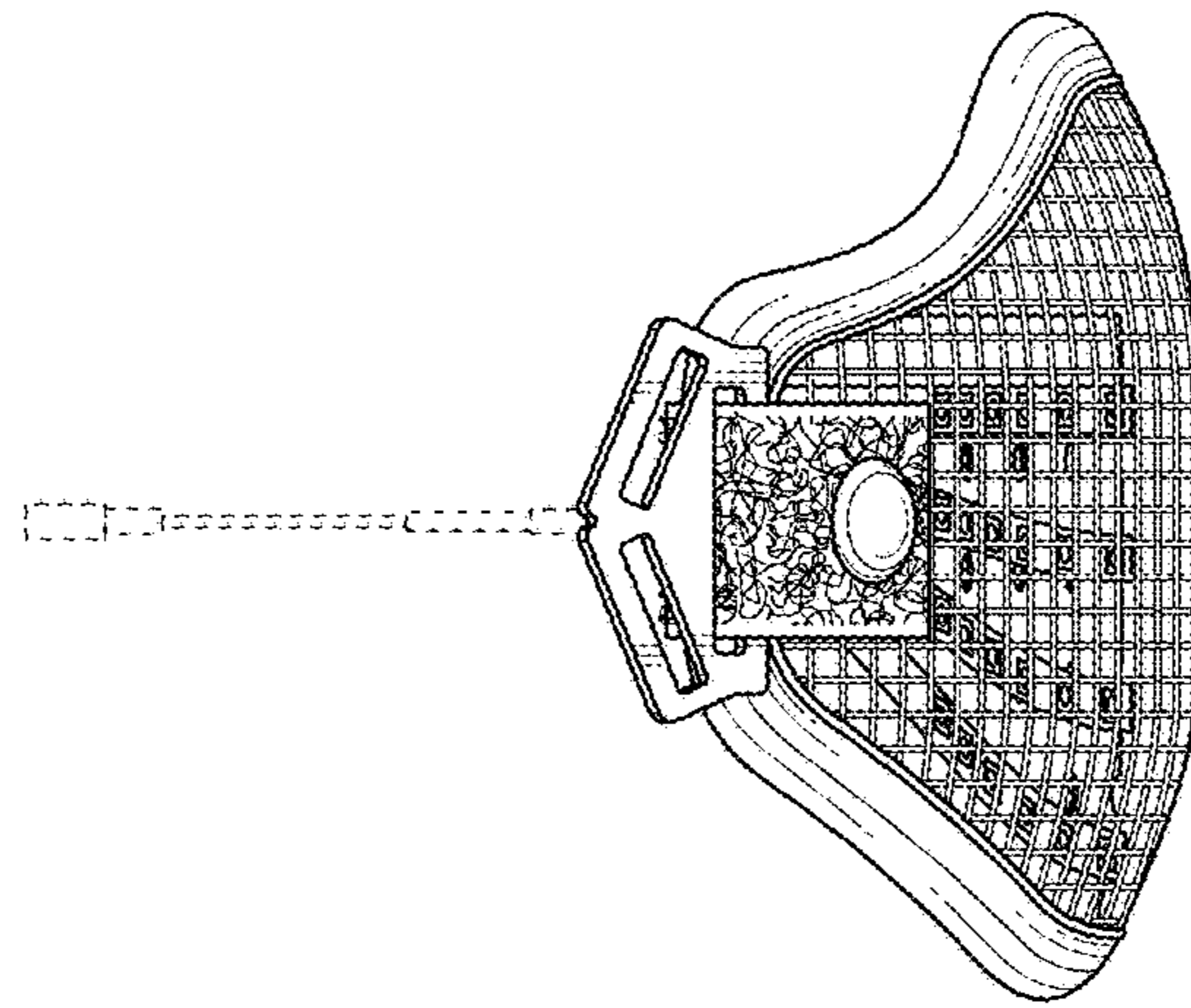


FIG. 4

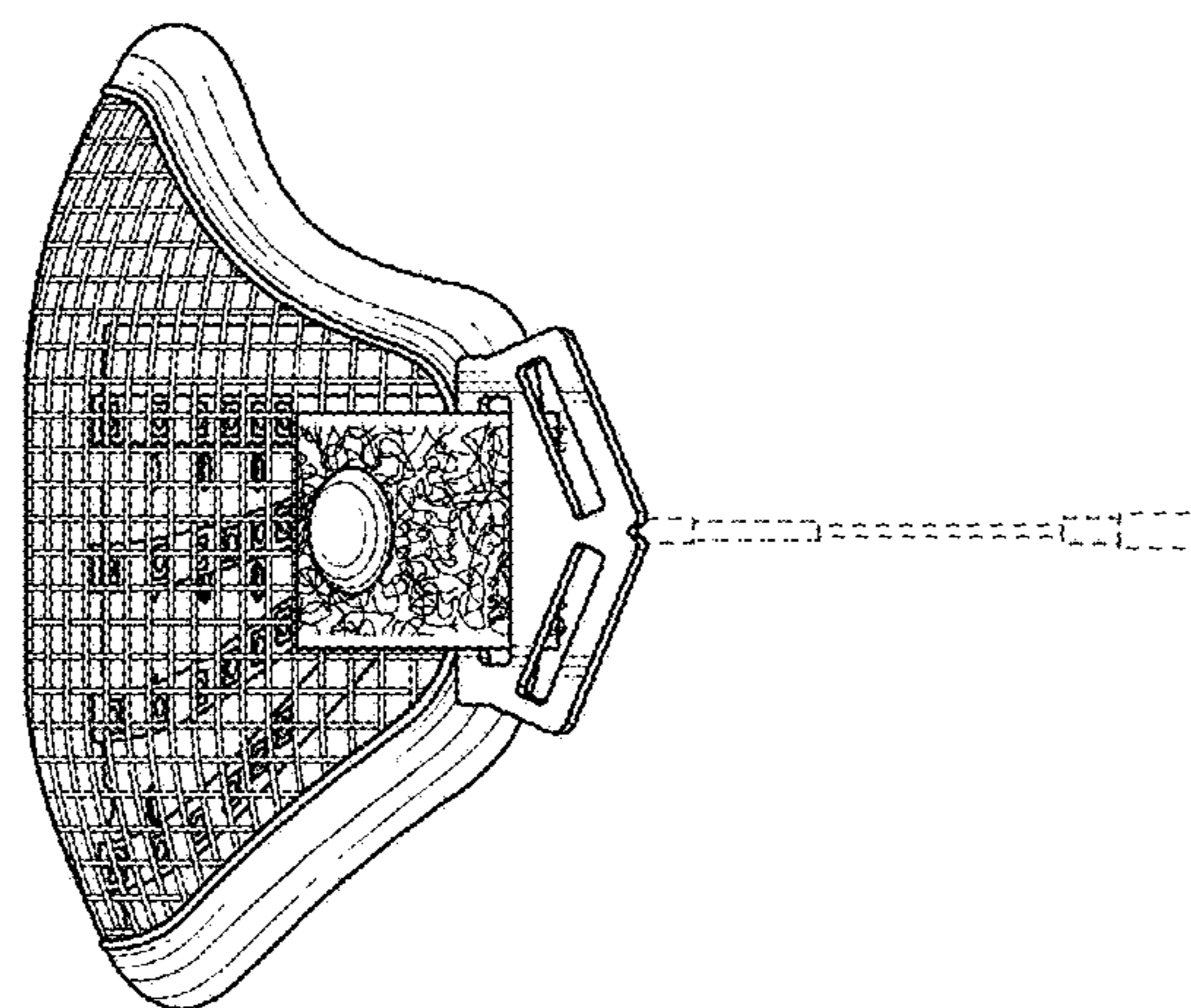


FIG. 5

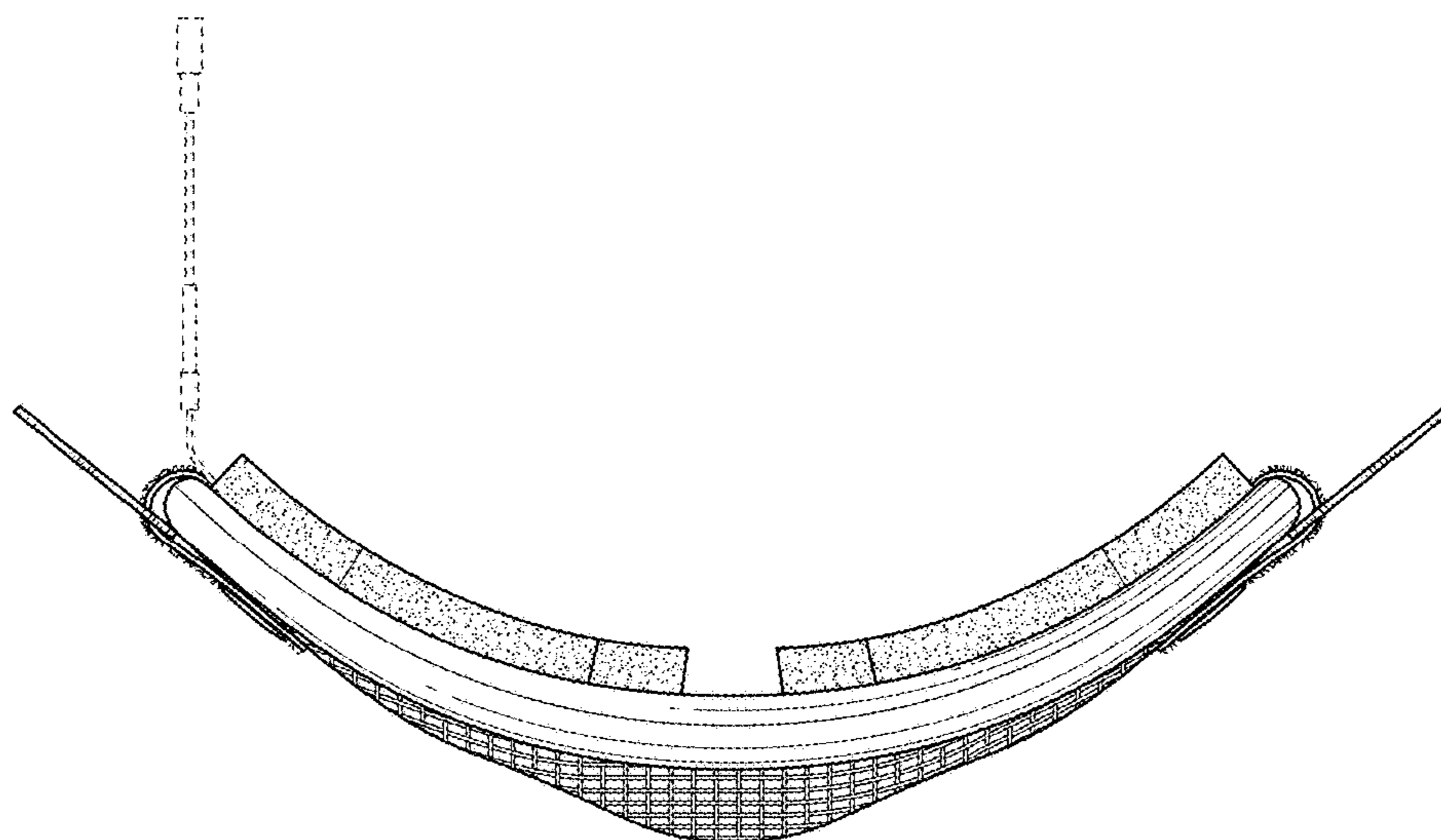


FIG. 6

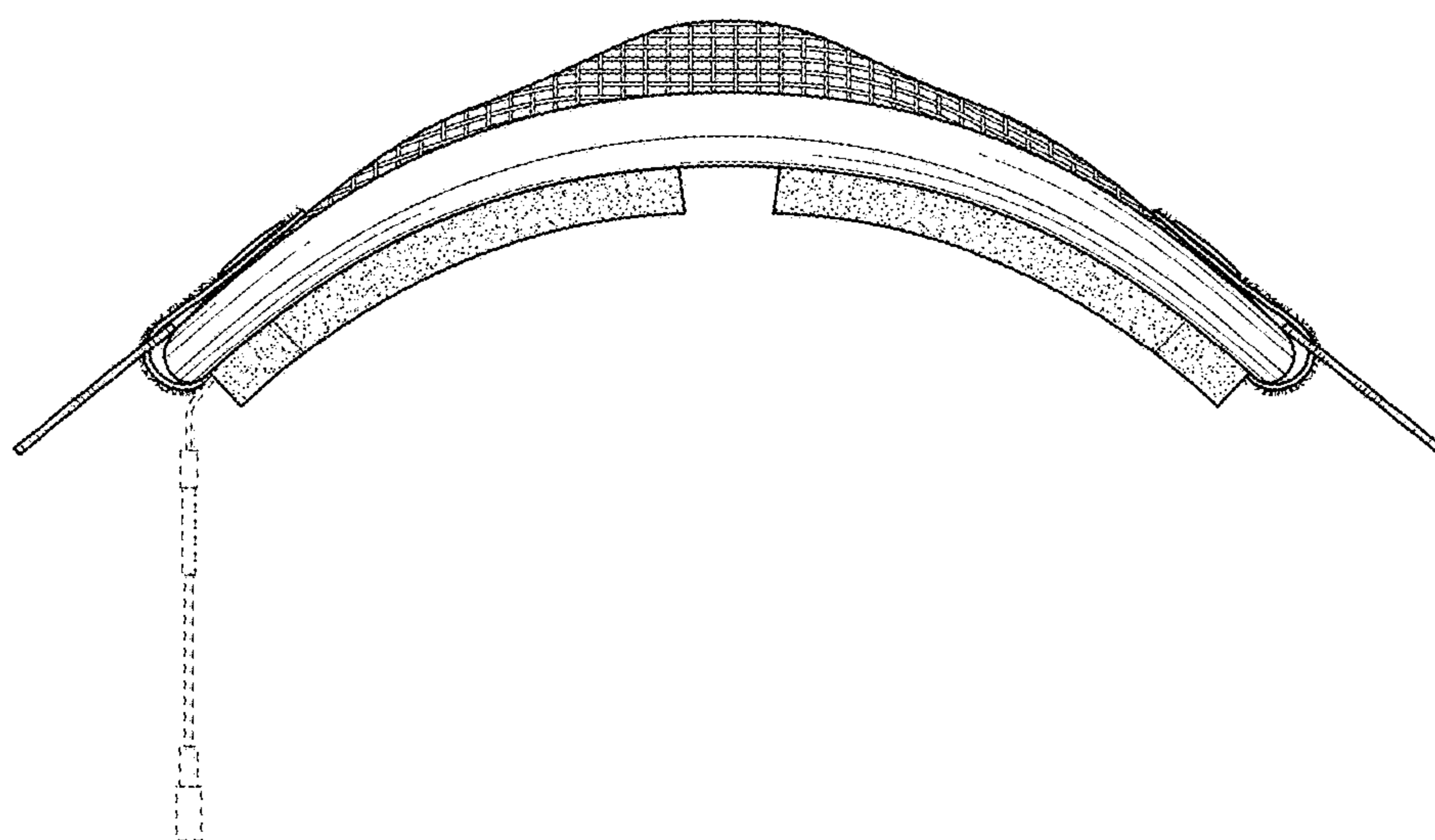


FIG. 7